

FAUCET DESCRIPTION

- Brass construction with chrome plated finish
- 4" centerset
- 1/2" IPS connections
- Vandal resistant torx head screws
- Vandal resistant aerator
- 8208 with chain stay
- 8216 includes metal pop up drain

OPERATION

- Lever style handles with hot and cold color indicators


FLOW

- Aerator is limited to 2.2 gpm max. (8.3 L/min)
- Aerator is limited to 0.5 gpm max. (1.9 L/min) for model # 8211

CARTRIDGE

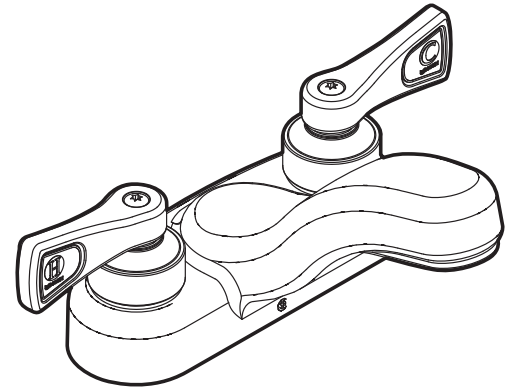
- Brass shell, ceramic disc cartridge
- 1/4 turn operation

STANDARDS

- Third party certified to meet CSA B-125, ASME A112.18.1M, ANSI A117.1 and all applicable specifications referenced therein
- Certified to ANSI/NSF 61/9
- Complies with California Proposition 65 and with the Federal Safe Drinking Water Act
- **ADA**  for lever handle s

WARRANTY

- Warranted for five years against material or manufacturing defects



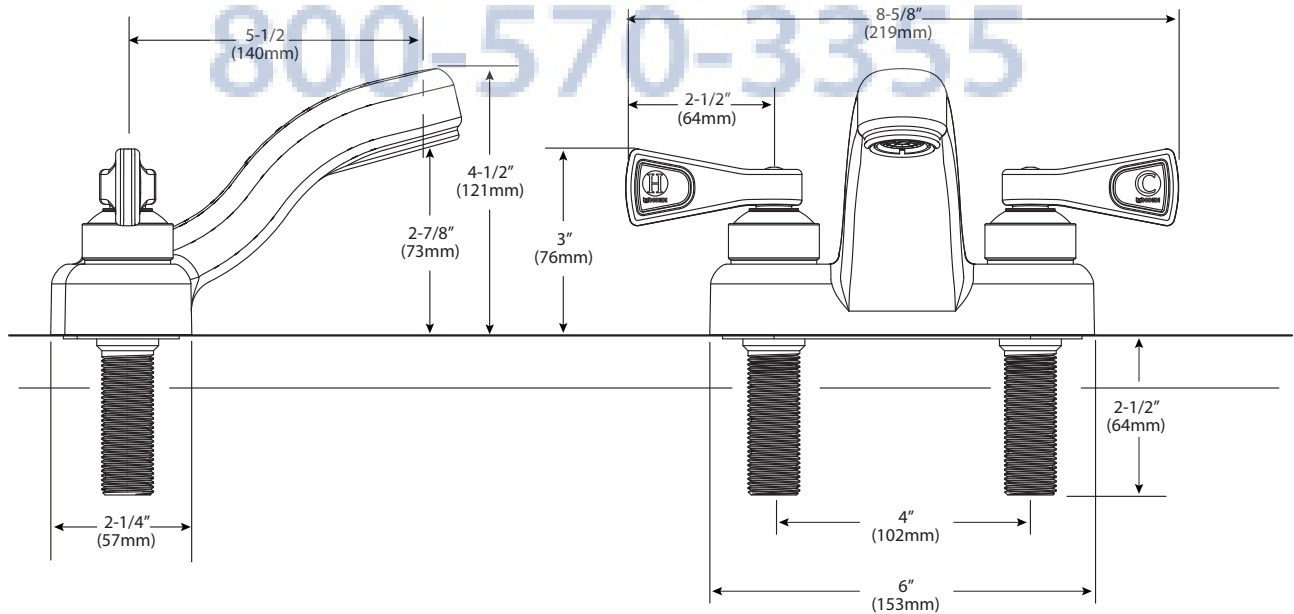
Two-Handle Lavatory Faucet

Models: 8208, 8210, 8211, 8216[†], 8218*

[†] 8216 includes metal pop up drain

* 8218 uses 14750 grid strainer

NOTE: Designed to be installed through 2 holes - 1" (25mm) min. dia.



CRITICAL DIMENSIONS

(DO NOT SCALE)