

FAUCET DESCRIPTION

- Chrome plated brass construction
- 3/8" compression x 15" stainless steel supply line


OPERATION

- 2-1/2" lever handle
- Vandal resistant screws
- Hot and cold color indicators
- 1/4 turn to open

CARTRIDGE

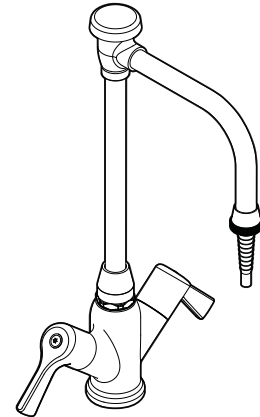
- Ceramic 28mm cartridge design
- Nonmetallic and nonferrous material

STANDARDS

- Third party certified by CSA to meet: ASME A112.18.1, ICC A117.1 and all applicable specifications referenced therein
- ADA  for lever handles

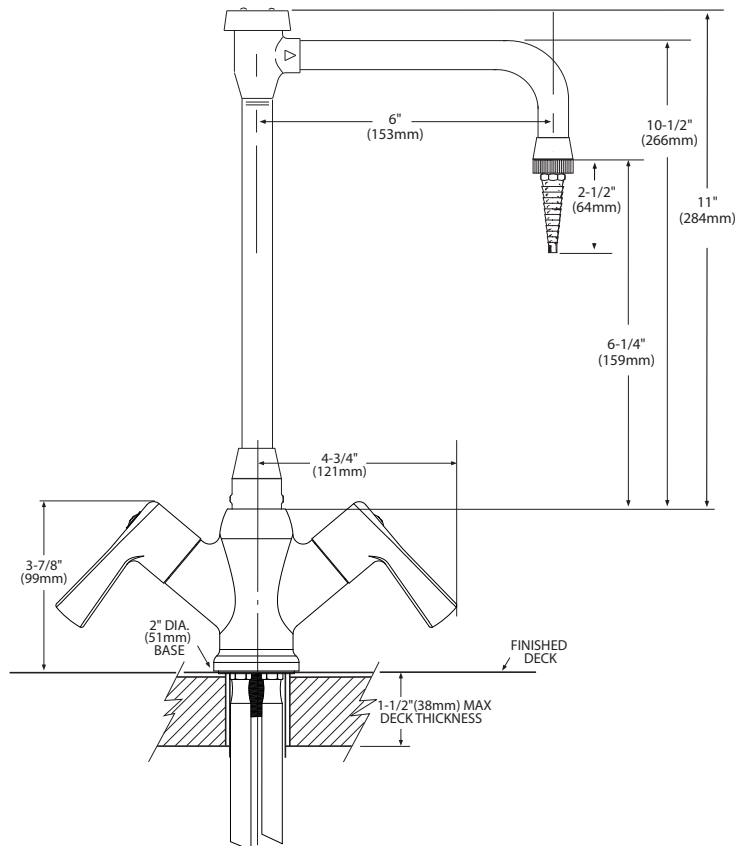
WARRANTY

- Warranted for 5 years against material or manufacturing defects



**Two Handle Laboratory Faucet
with Vacuum Breaker Spout
Model: 8116 (Chrome)**

NOTE: DESIGNED TO INSTALL
THROUGH 1-5/16" MIN. DIA. HOLE



CRITICAL DIMENSIONS

(DO NOT SCALE)