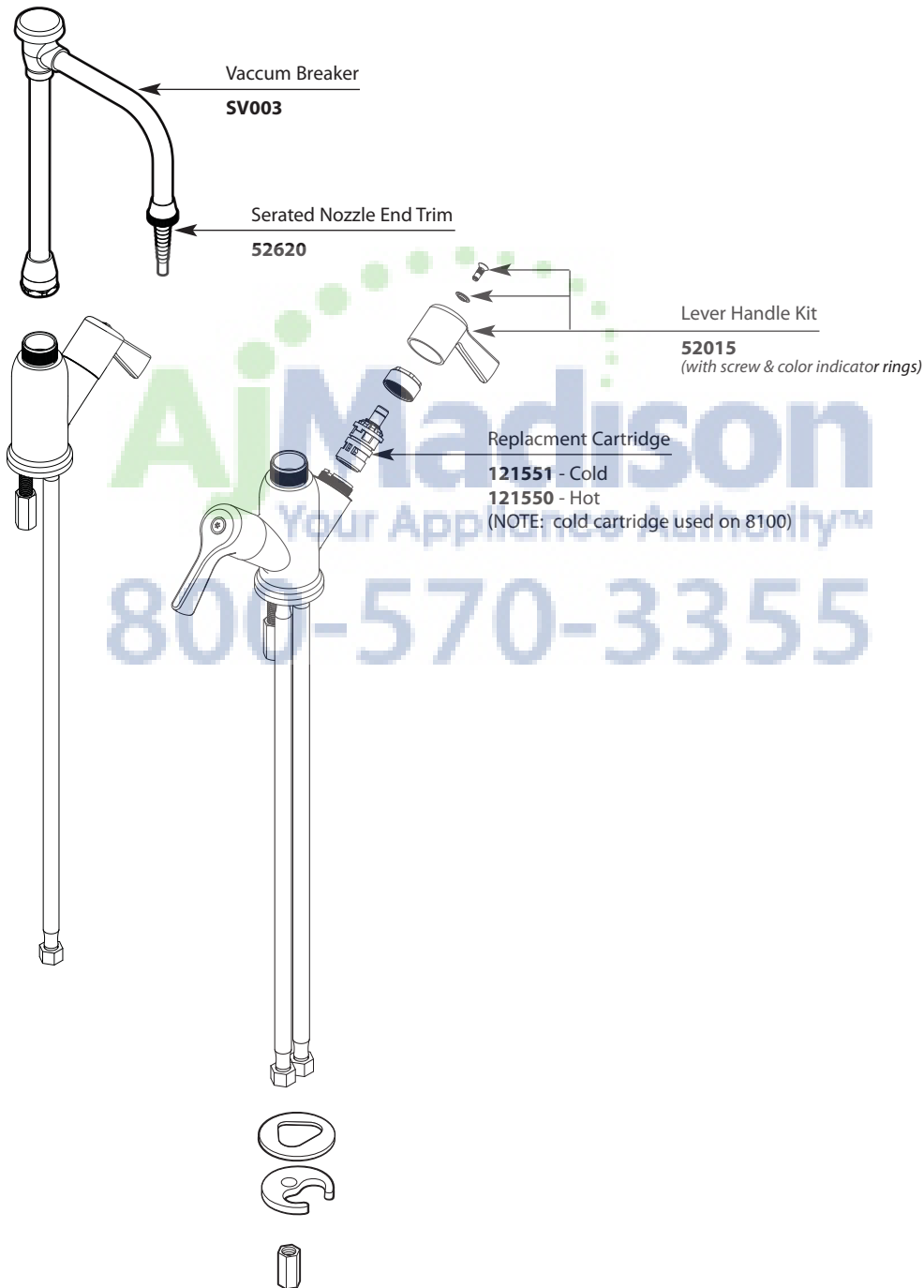


■ Order by Part Number

*There is more than 1 version of this model.
 Page down to identify the version you have.*

Single and Two-Handle Laboratory Faucet		
<u>MODEL</u>	<u>HANDLE</u>	<u>FINISH</u>
8106	Single Handle	Chrome with 10.5 Vaccum Breaker Spout
8116	Two Handle	Chrome with 10.5 Vaccum Breaker Spout

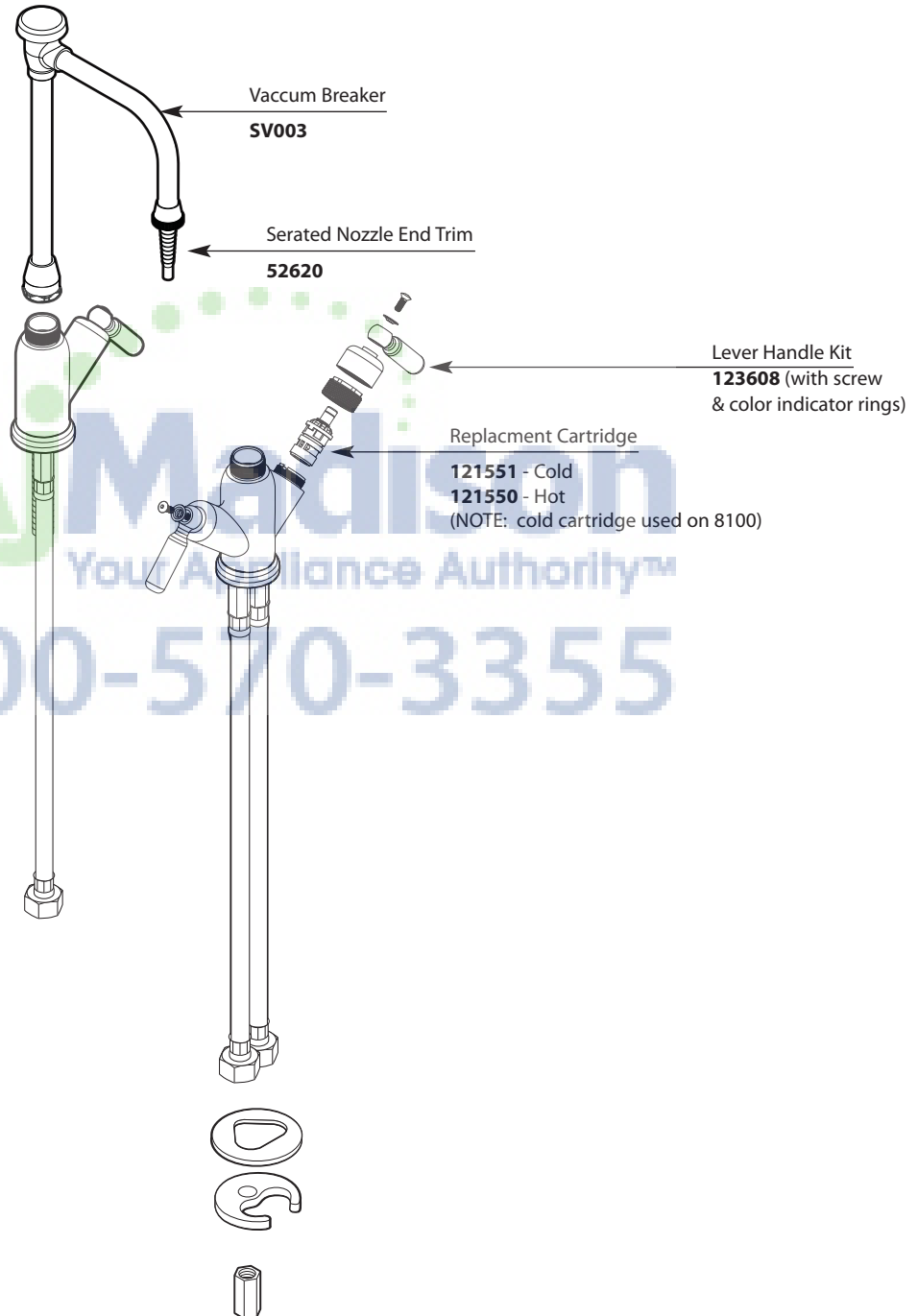


■ Order by Part Number

*There is more than 1 version of this model.
Page down to identify the version you have.*

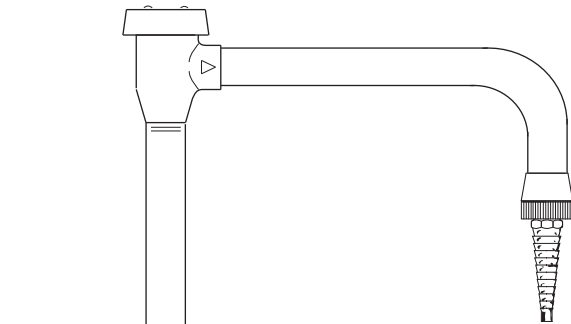
**Single and Two-Handle
Laboratory Faucet**

<u>MODEL</u>	<u>HANDLE</u>	<u>FINISH</u>
8106	Single Handle	Chrome with 10.5 Vaccum Breaker Spout
8116	Two Handle	Chrome with 10.5 Vaccum Breaker Spout

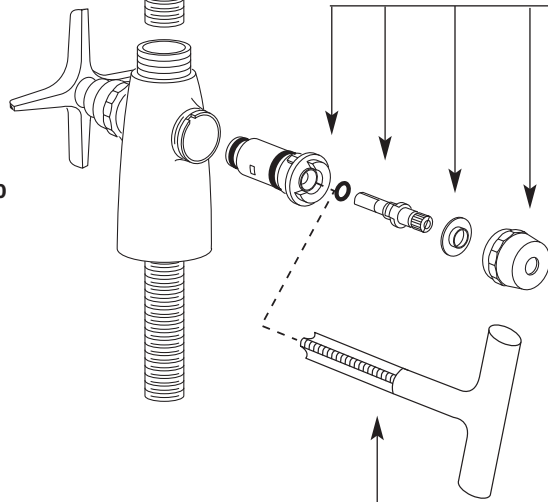


■ Order by Part Number

Single and Two-Handle Bar Faucet		
<u>MODEL</u>	<u>HANDLE</u>	<u>FINISH</u>
8106	Single Cross	Chrome
8116	Dual Cross	Chrome



MODEL 8100



MODEL 8110

Cartridge Service Kit
14690
(Includes both the hot and cold cartridge stems)

Cartridge Removal Tool
16848

Cross Handle Service Kit
16842
(Includes both the hot (red) and cold (blue) cartridge stems)