

## SERVICE DATA SHEET GAS RANGES WITH PRO OVEN CONTROLS

**NOTICE:** This service data sheet is intended for use by persons having electrical and mechanical training and a level of knowledge of these subjects generally considered acceptable in the appliance repair trade. The manufacturer cannot be responsible, nor assume any liability, for injury or damage of any kind arising from the use of this data sheet.

**IMPORTANT NOTE:** This unit includes an EOC (electronic oven control). This board is not field-repairable. Verify the unit has the proper oven relay board, oven user interface board, and touch panel based on the model number and parts catalog.

### Safe Servicing Practices

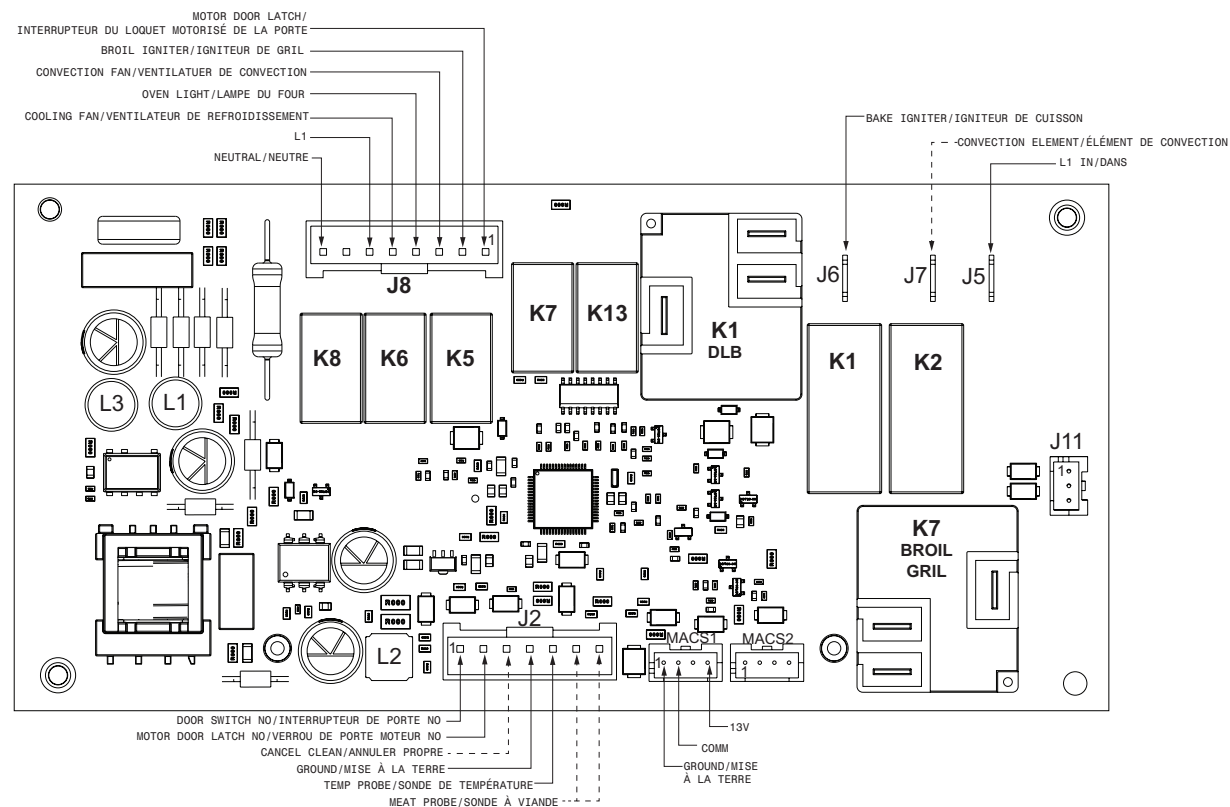
To avoid the possibility of personal injury and/or property damage, it is important that safe servicing practices be observed. The following are some, but not all, examples of safe practices.

- Do not attempt a product repair if you have any doubts as to your ability to complete it in a safe and satisfactory manner.
- Before servicing or moving an appliance, remove power cord from electric outlet, trip circuit breaker to Off, or remove fuse.
- Never interfere with the proper installation of any safety device.

- Use only replacement parts specified for this appliance. Substitutions may not comply with safety standards set for home appliances.
- Grounding: The standard color coding for safety ground wires is green or green with yellow stripes. Ground leads are not to be used as current carrying conductors. It is extremely important that the service technician reestablish all safety grounds prior to completion of service. Failure to do so will create a potential hazard.
- Prior to returning the product to service, ensure that:
  - All electric connections are correct and secure.
  - All electrical leads are properly dressed and secured away from sharp edges, high-temperature components, and moving parts.
  - All uninsulated electrical terminals, connectors, heaters, etc. are adequately spaced away from all metal parts and panels.
  - All safety grounds (both internal and external) are correctly and securely reassembled.
  - All panels are properly and securely reassembled.

### Temperature Adjustment

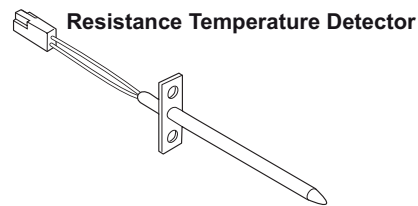
Refer to the Use & Care Manual for directions on how to adjust the oven temperatures.



RTD SCALE ÉCHELLE DU DÉTECTEUR DE TEMPÉRATURE À RÉSISTANCE	
Temperature Température °F (°C)	Resistance Résistance (ohms)
32 ± 1.9 (0 ± 1.0)	1000 ± 4.0
75 ± 2.5 (24 ± 1.3)	1091 ± 5.3
250 ± 4.4 (121 ± 2.4)	1453 ± 8.9
350 ± 5.4 (177 ± 3.0)	1654 ± 10.8
450 ± 6.9 (232 ± 3.8)	1852 ± 13.5
550 ± 8.2 (288 ± 4.5)	2047 ± 15.8
650 ± 9.6 (343 ± 5.3)	2237 ± 18.5
900 ± 13.6 (482 ± 7.5)	2697 ± 24.4
Probe circuit to case ground Circuit de la sonde mise à la terre à la caisse	Open circuit/infinite resistance Circuit ouvert/résistance infinie

CIRCUIT ANALYSIS MATRIX	CIRCUIT ANALYSIS MATRIX								
	Bake Ignitor J6	Broil Ignitor J8-2/K4	Convection Element J7	Door Motor J8-1	Light J8-4	Cooling Fan J8-5	Convection Fan J8-3	Door Switch J2-1	
Bake	X		X			X	X		
Broil		X				X			
Conv. Bake	X		X			X	X		
Conv. Roast	X		X			X	X		
Clean	X					X			
Locking				X					
Unlocking				X					
Light					X				
Door Open					X				
Door Closed									X

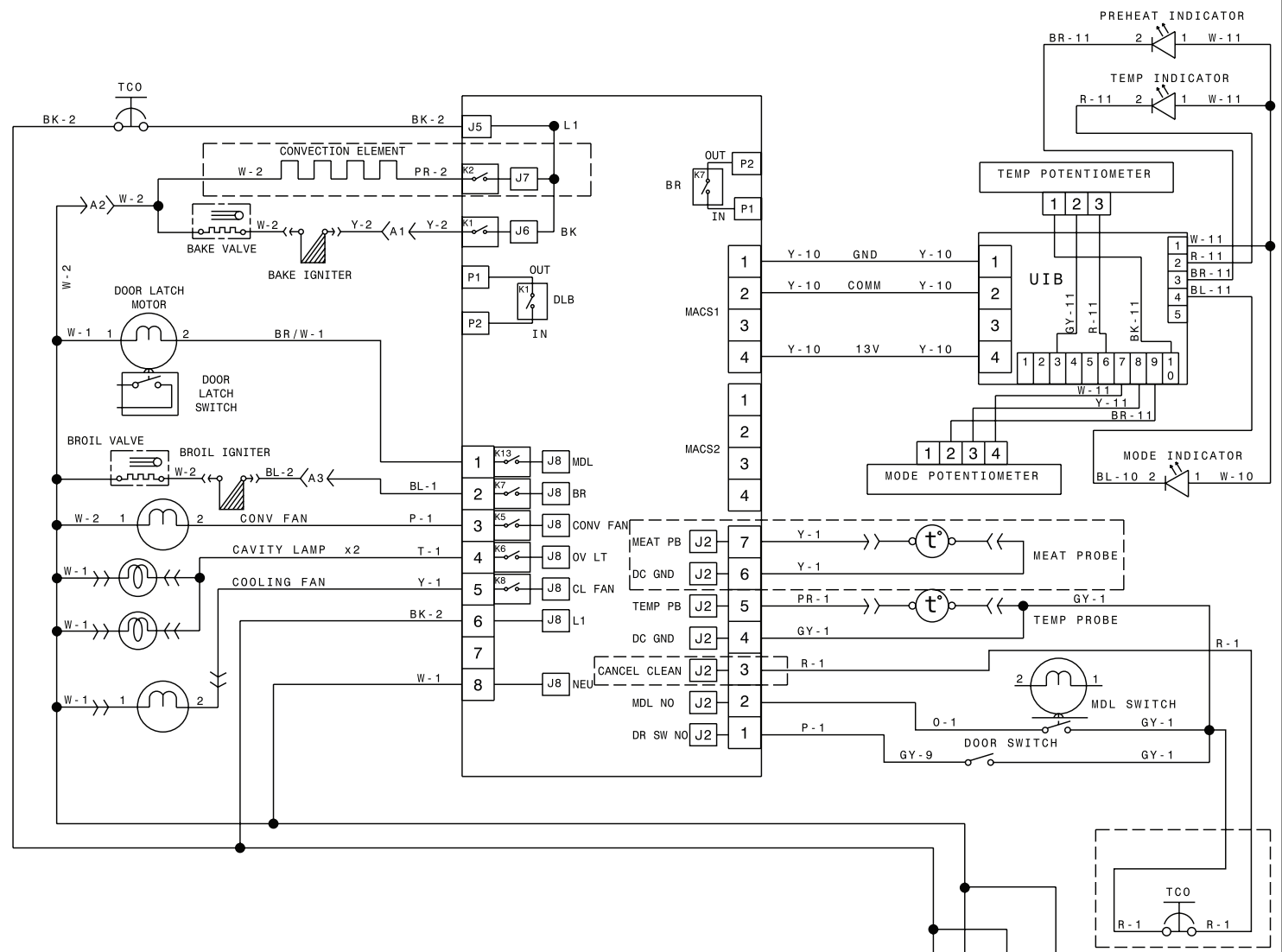
MEAT PROBE TEMPERATURE VS RESISTANCE TABLE	
Temperature	Probe Resistance
77 °F / 25 °C	50.020 Kohm +/- 6%
122 °F / 50 °C	18.020 Kohm +/- 5%
176 °F / 80 °C	6.290 Kohm +/- 5%
212 °F / 100 °C	3.400 Kohm +/- 5%



## ELECTRONIC OVEN CONTROL (EOC) FAULT CODE DESCRIPTIONS

Fault Code	Description of Error Code	Suggested Corrective Action
F1	Internal alarm (microcontroller)	Disconnect power, wait 30 seconds and reapply power. If problem persists, replace control assembly.
F2	HMI data flash alarm	
F3	Configuration checksum alarm (OUI cooking function)	
F4	Keyboard tuning configuration alarm (key-board safety alarm)	
F5		
F10	Oven temperature runaway	Check RTD sensor and replace if necessary. If the oven is overheating, disconnect power, if problem persist replace relay board. Severe overheating may require the entire oven to be replaced when damage is extensive.
F11	Short key/stuck key	<ol style="list-style-type: none"> <li>If a key is pressed inadvertently for a long time this error code will be displayed. Make sure that there is nothing (water, utensils) in contact with the key-board. The error code should go away once the key is released and the stop key is pressed. If the error comes back when any key is pressed it means that the error is still present. If the error does not come back it means the error condition is gone and the oven can be used.</li> <li>If the fault cannot be cleared, test the wiring harness between oven user interface board (connector I2C1 or I2C2).</li> <li>If the fault code cannot be cleared and the wiring is good, the touch panel is most likely defective: replace the control assembly (HMI and touch panel).</li> </ol>
F12	Keyboard configuration alarm: the oven user interface received a key that does not match the key map from the HMI touch panel.	Disconnect power, wait 30 seconds and reapply power. If problem persists, replace touch control assembly and OUI.
F13	OUI data flash alarm (non-volatile memory alarm)	Disconnect power, wait 30 seconds and reapply power. If problem persist replace OUI.
F15	Keyboard error, unable to read cancel key	Disconnect power, wait 30 seconds and reapply power. If problem persists, replace touch control assembly.
F16	Potentiometer failure alarm	Disconnect power, wait 30 seconds and reapply power. Verify harness between potentiometers and OUI. Replace Oven Potentiometer. If problem persists, replace control and potentiometers.
F17	The oven user interface is unable to configure HMI alarm	Disconnect the power for 30 seconds and reapply power. If the problem persist check the I2C1 or I2C2 harness connections. If the error persists replace touch control assembly.
F18	Oven relay board failure (wiggler)	Replace power board PCB (OVC).
F19	The OUI is unable to configure the OVC	Disconnect power for 30 seconds, then reapply power. If fault returns, verify connection between the OUI and OVC (MACS1 or MACS2). If error persists, replace OUI and/or OVC.
F22	Communication failure between OUI and OVC	Verify correct voltage across the system. Disconnect power for 30 seconds, then reapply power. If error persists, check the MCS1 or MACS 2 wiring harness connection. If harness is good replace OUI and/or OVC.
F23	Communication failure between the touch panel (HMI) and the user interface (OUI)	Verify correct voltage across the system. Disconnect power for 30 seconds, then reapply power. If error persists check the wiring harness between the HMI and OUI, test I2C1 or I2C2. If problem persists, replace HMI (touch panel assembly) and /or OUI.
F25	Communication failure between the touch panel(HMI) and the user interface (OUI)	Verify correct voltage across the system. Disconnect power for 30 seconds, then reapply power. If error persists, check the MCS1 or MACS 2 wiring harness connection. If problem persists, replace OUI and/or touch panel assembly.
F27		
F29	Communication between touch panel and oven user interface cannot be initiated.	Verify correct voltage across the system. Disconnect power for 30 seconds, then reapply power. If error persists, check the wiring harness for I2C1 or I2C2. If error persists, check the wiring harness for MACS1 or MACS2 between the OUI and the power board. If problem persists, replace HMI and /or OUI.
F30	Open probe or connection	Check resistance at room temperature and compare to RTD sensor resistance chart, if resistance don't match replace RTD sensor probe, check harness between the RTD and OVC.
F31	Short temp probe	Check resistance at room temperature and compare to RTD sensor resistance chart. If resistance don't match replace RTD sensor probe, check harness between the RTD and OVC.
F33	Meat probe temperature sensor shorted or too hot.	The error is triggered if the meat probe sees a temperature in excess of 393°F. Make sure the meat probe was not used in such way that it could have seen such temperature. Meat probe is not fully inserted. Verify Meat Probe resistance at room temperature. Compare meat probe resistance chart. If don't match replace the meat probe. If the error persists, replace the OVC board.
F45	Cooling fan speed too low	Check if cooling fan blades are blocked. Confirm tachometer harness is connected on fan and oven control. Replace cooling fan. Replace oven control
F46	Cooling fan speed too high	Check for mechanical obstruction in the air path. Replace cooling fan. Replace oven control
F50	A/D out of range, oven control is unable to read switches status (door, MDL)	Check connection between the door switch, MDL, and temp probes are properly connected, including splices and junctions. If problem persists, replace relay board.
F61	Missing zero cross signal OVC	Disconnect power to the unit, wait 30 seconds and reapply power. If fault return test continuity of hardness between OVC and power supply. Replace OVC.
F90	Maximum oven door unlock time exceeded	<ol style="list-style-type: none"> <li>Disconnect power to the unit, wait 30 seconds, then reapply power. Try again to make the door lock or unlock.</li> <li>Check if the lock motor is running or not. If not running, test the wiring between the lock motor and the oven relay board. If the wiring is good check if there is 120 VAC at the motor when is expected to run to see if the failure originates from a bad motor (120VSC present but no turning) or the problem is the relay board (J20 pin 10 on the oven relay board is the output to MDL). The motor can also be tested applying 120VSC directly to the motor (unplug from relay board first). If the motor doesn't turn, replace the MDL assembly. If the relay board is not supplying 120 VAC to the motor, replace the relay board.</li> <li>If the lock motor is running but the oven control cannot find the locked position (ex: the MDL turns until F90 occurs) tverify the lock switch. Check the wiring between the lock switch and the relay board. Verify with the ohmmeter if the switch makes contact properly.</li> <li>If all steps above fail replace the oven relay board.</li> </ol>
F95	Motor door lock mechanism failure. The MDL does not stop running or the lock switch sends an invalid signal.	The problem can be caused by a faulty lock switch or by a defective oven relay board. If the MDL is always running (as if the relay controlling, it is stuck closed) replace the relay board. If the motor is not always running replace the motor lock assembly.
F96	The oven door has been detected open during a self-clean cycle.	<ol style="list-style-type: none"> <li>This error occurs if the door switch has lost contact during a self-clean cycle. Make sure the oven door closes well and fully presses on the door switch plunger when the door is locked, and no one attempted to pull on the oven door during the self-clean cycle.</li> <li>Test continuity of wiring between the door switch and the oven relay board, make sure the door switch is well connected. With the ohmmeter verify the switch is closed when the plunger is pressed. If the door switch is found to be defective, replace the door switch.</li> <li>If the above steps fail to fix the problem, replace the relay board.</li> </ol>
F97	MDL invalid state, relay board (OVC) sensed the MDL in a state it should not be in.	Disconnect the power to the unit, wait 30 seconds, then reapply power. If problem persists, replace MDL assembly. If fault persists, replace relay board.
SCC	The oven control display shows "SCC" and self-clean is not working.	If the cooktop is used during a self-clean cycle, the oven may turn off. The oven control display will show "SCC" for 5 seconds. The oven door will remain locked until the oven has cooled down below cleaning temperature. If the oven is below cleaning temperature, the user can start another clean cycle immediately. If the oven is in cleaning temperature range, another self-clean cycle can be set once the door unlocks (up to 4 hours).

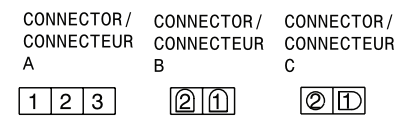
**IMPORTANT**  
**DO NOT REMOVE THIS BAG**  
**OR DESTROY THE CONTENTS**  
WIRING DIAGRAMS AND SERVICE  
INFORMATION ENCLOSED  
**REPLACE CONTENTS IN BAG**



**COLOR CODE / CODE COULEUR**

- BK = BLACK/NOIR
- BR = BROWN/BRUN
- R = RED/ROUGE
- O = ORANGE/ORANGE
- Y = YELLOW/JAUNE
- G = GREEN/VERT
- BL = BLUE/BLEU
- PR = PURPLE/VIOLET
- GY = GREY/GRIS
- W = WHITE/BLANC
- T = TAN/BRONZER
- P = PINK/ROSE
- BR/W = BROWN/WHITE  
BRUN/BLANC
- O/BK = ORANGE/BLACK  
ORANGE/NOIR
- PR/O = PURPLE/ORANGE  
VIOLET/ORANGE
- GY/BK = GREY/BLACK  
GRIS/NOIR
- GY/O = GREY/ORANGE  
GRIS/ORANGE
- GY/Y = GREY/YELLOW  
GRIS/JAUNE
- GY/R = GREY/RED  
GRIS/ROUGE
- GY/BL = GREY/BLUE  
GRIS/BLEU

CODE CODE	GAUGE CALIBRE	TEMP.°C	CSA	UL
1	20	150	EXL-B	3321
2	18	150	EXL-B	3321
3	16	150	EXL-B	3321
4	14	150	EXL-B	3321
5	12	150	EXL-B	3321
6	20	125	EXL-A	3173
7	16	125	EXL-A	3173
8	14	125	EXL-A	3173
9	20	200	SF-1	3122
10	22	200	SF-1	10109
11	22	105		1569

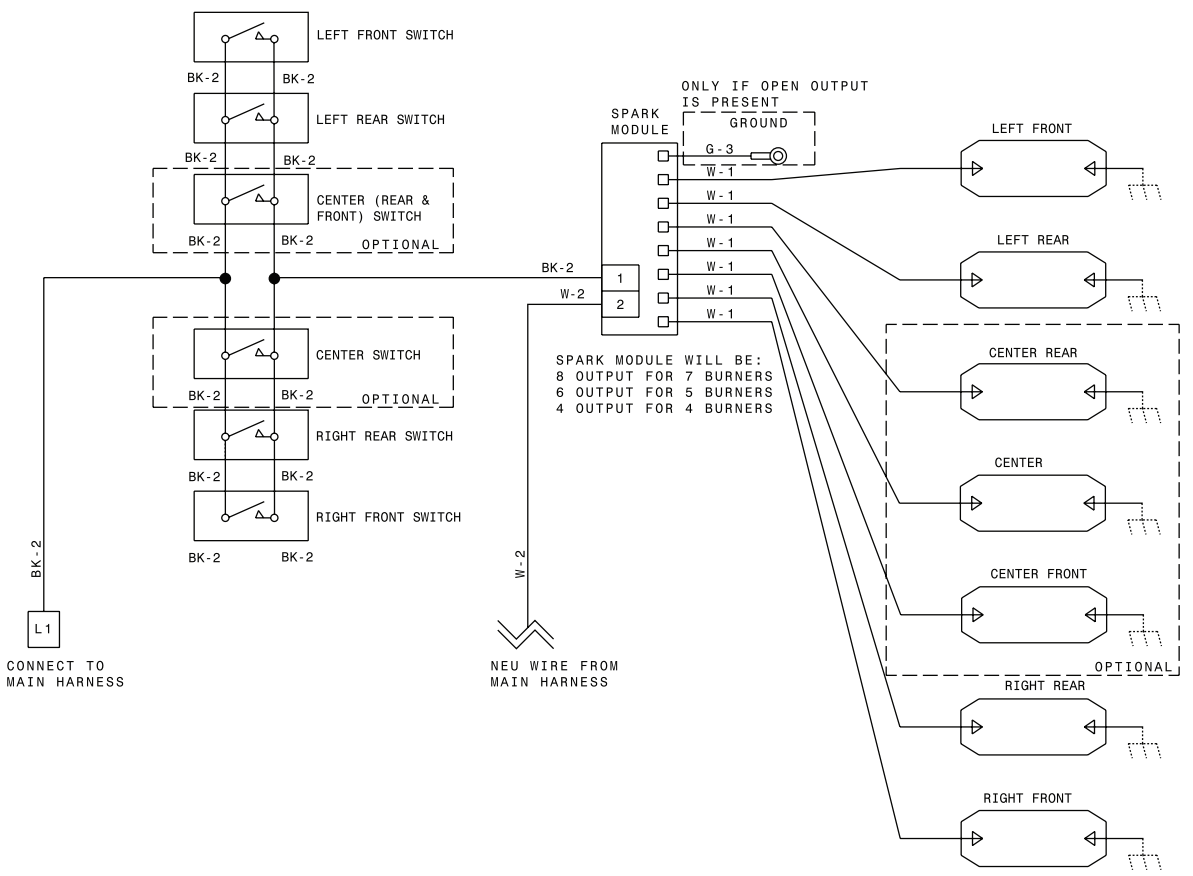


**CAUTION:** DISCONNECT POWER BEFORE SERVICING UNIT.  
 LABEL ALL WIRES PRIOR TO DISCONNECTION WHEN SERVICING CONTROLS.  
 WIRINGS ERRORS CAN CAUSE IMPROPER AND DANGEROUS OPERATION.  
 VERIFY PROPER OPERATION AFTER SERVICING.

**ATTENTION:** COUPEZ L'ALIMENTATION AVANT D'EFFECTUER LA REPARATION.  
 IDENTIFIEZ TOUS LES FILS AVANT DE LES DEBRANCHER QUAND L'APPAREIL EST HORS SERVICE.  
 LES ERREURS DE CONNEXION DE FILS PEUVENT CAUSER UN MAL FONCTIONNEMENT ET UN DANGER D'USAGE DE L'APPAREIL.  
 VERIFIEZ LE BON FONCTIONNEMENT DE L'APPAREIL APRES LE SERVICE.

PART NUMBER	REV.
<b>A12802916</b>	<b>A</b>

**COOKTOP CIRCUIT**



**COLOR CODE / CODE COULEUR**

- BK = BLACK/NOIR
- BR = BROWN/BRUN
- R = RED/ROUGE
- O = ORANGE/ORANGE
- Y = YELLOW/JAUNE
- G = GREEN/VERT
- BL = BLUE/BLEU
- PR = PURPLE/VIOLET
- GY = GREY/GRIS
- W = WHITE/BLANC
- T = TAN/BRONZER
- P = PINK/ROSE
- BR/W = BROWN/WHITE  
BRUN/BLANC
- O/BK = ORANGE/BLACK  
ORANGE/NOIR
- PR/O = PURPLE/ORANGE  
VIOLET/ORANGE
- GY/BK = GREY/BLACK  
GRIS/NOIR
- GY/O = GREY/ORANGE  
GRIS/ORANGE
- GY/Y = GREY/YELLOW  
GRIS/JAUNE
- GY/R = GREY/RED  
GRIS/ROUGE
- GY/BL = GREY/BLUE  
GRIS/BLEU

CODE CODE	GAUGE CALIBRE	TEMP.°C	CSA	UL
1	20	200	10202/3304	
2	20	150	EXL-B	3321
3	18	150	EXL-B	3321

**CAUTION:** DISCONNECT POWER BEFORE SERVICING UNIT.  
 LABEL ALL WIRES PRIOR TO DISCONNECTION WHEN SERVICING CONTROLS.  
 WIRINGS ERRORS CAN CAUSE IMPROPER AND DANGEROUS OPERATION.  
 VERIFY PROPER OPERATION AFTER SERVICING.

**ATTENTION:** COUPEZ L'ALIMENTATION AVANT D'EFFECTUER LA REPARATION.  
 IDENTIFIEZ TOUS LES FILS AVANT DE LES DEBRANCHER QUAND L'APPAREIL EST HORS SERVICE.  
 LES ERREURS DE CONNEXION DE FILS PEUVENT CAUSER UN MAL FONCTIONNEMENT ET UN DANGER D'USAGE DE L'APPAREIL.  
 VERIFIEZ LE BON FONCTIONNEMENT DE L'APPAREIL APRES LE SERVICE.

PART NUMBER	REV.
<b>A12802917</b>	<b>A</b>

## FICHE DE RÉPARATION CUISINIÈRE GAZ AVEC RÉGULATEUR ÉLECTRONIQUE DE FOUR MODULAR

**AVIS:** Cette feuille de données d'entretien est destinée aux personnes ayant reçu une formation en électricité et en mécanique, et qui possèdent un niveau de connaissance jugé acceptable dans l'industrie de réparation des appareils électroménagers. Le fabricant ne peut être tenu responsable, ni assumer aucune responsabilité, pour toute blessure ou dommage de quelque nature que ce soit pouvant résulter de l'utilisation de cette feuille de données.

**NOTES IMPORTANTES:** Cet appareil inclut un contrôleur de four électronique. Le tableau de contrôle n'est pas réparable sur place. À l'aide du numéro de modèle et du catalogue de service, vérifiez si l'appareil a le bon panneau de relais du four, la bonne carte interface usager et le bon panneau tactile.

### Pratiques d'entretien Sécuritaires

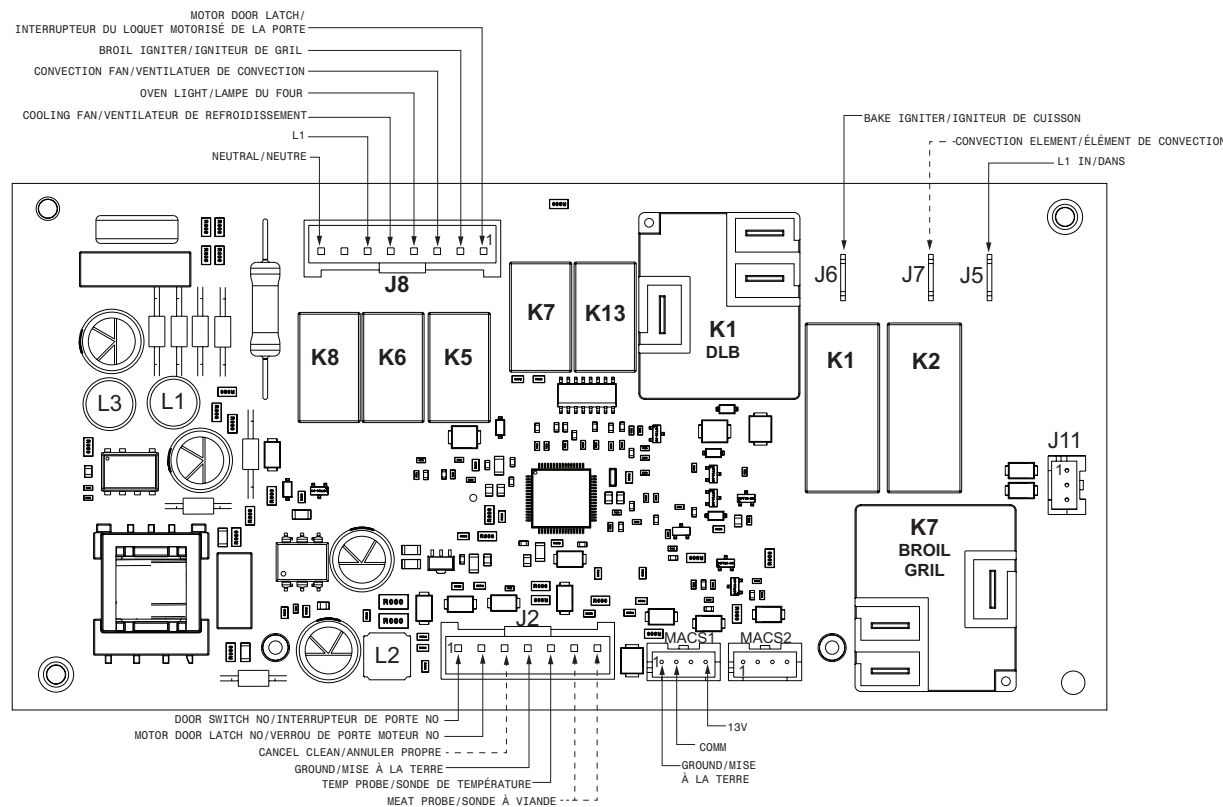
Pour éviter tout risque de blessure et/ou dommage matériel, il est important que des pratiques d'entretien sécuritaires soient suivies. Voici quelques exemples de pratiques sécuritaires.

- N'essayez jamais de réparer un appareil si vous ne croyez pas avoir les compétences nécessaires pour le faire de manière satisfaisante et sécuritaire.
- Avant de procéder au service d'entretien ou de déplacer tout appareil ménager, débranchez le cordon d'alimentation de la prise électrique, réglez le disjoncteur de circuit à OFF, ou enlevez le fusible et fermez le robinet d'alimentation en gaz.
- N'entrez jamais l'installation adéquate de tout dispositif de sécurité.

- Utilisez que les pièces de remplacement énumérées dans le catalogue pour cet appareil. La moindre substitution risque de ne pas être conforme aux normes de sécurité établies pour les appareils électroménagers.
- Mise à la Terre: La couleur de codage standard des conducteurs de mise à la terre de sécurité est verte ou verte à barres jaunes. Les conducteurs de mise à la terre ne doivent pas être utilisés comme conducteurs de courant. Il est d'une importance capitale que le technicien d'entretien complète toutes les mises à la terre de sécurité avant de terminer le service. Si cette recommandation n'est pas suivie à la lettre, il en résultera des risques pour les personnes et les biens.
- Avant de retourner le produit au service de réparation ou d'entretien, assurez-vous que:
  - Toutes les connexions électriques sont correctes et sécuritaires.
  - Tous les conducteurs électriques sont correctement préparés et à l'abri des bords tranchants, des composants à température élevée, et des parties mobiles.
  - Toutes les bornes électriques, connecteurs, réchauffeurs, etc. dénudés sont espacés convenablement loin de toute pièce en métal et des panneaux.
  - Toutes les mises à la terre de sécurité (interne et externe) sont correctement ré-assemblées de façon sécuritaire.
  - Tous les panneaux sont correctement et fermement remontés.

### Réglage de la Température

Reportez-vous au manuel d'utilisation et d'entretien pour savoir comment régler la température du four.

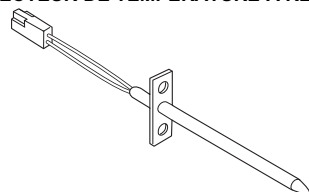


ÉCHELLE DU DÉTECTEUR DE TEMPÉRATURE À RÉSISTANCE	
Température °F (°C)	Résistance (ohms)
32 ± 1,9 (0 ± 1,0)	1 000 ± 4,0
75 ± 2,5 (24 ± 1,3)	1 091 ± 5,3
250 ± 4,4 (121 ± 2,4)	1 453 ± 8,9
350 ± 5,4 (177 ± 3,0)	1 654 ± 10,8
450 ± 6,9 (232 ± 3,8)	1 852 ± 13,5
550 ± 8,2 (288 ± 4,5)	2 047 ± 15,8
650 ± 9,6 (343 ± 5,3)	2 237 ± 18,5
900 ± 13,6 (482 ± 7,5)	2 697 ± 24,4
Circuit de la sonde mise à la terre à la caisse	Circuit ouvert/résistance infinie

MATRICE D'ANALYSE DU CIRCUIT	MISE À LA TERRE								Sur le panneau d'affichage Interr. porte
	Allumeur du four	Allumeur du brûleur de grillage	Élément de convection	Moteur Verrou	Lampe	Ventilateur de refroidissement	Ventilateur Conv.	J2-1	
Cuisson	X		X			X	X		
Gril		X				X			
Cuisson Conv.	X		X			X	X		
Rôtissage Conv.	X		X			X	X		
Nettoyage	X					X			
Verrouillage				X					
Déverrouillage				X					
Lampes					X				
Porte Ouverte					X				
Porte Fermée								X	

SONDE À VIANDE TEMPÉRATURE VS RÉSISTANCE	
Température °F (°C)	Résistance (Kohm)
77 (25)	50.020 ± 6%
122 (50)	18.020 ± 5%
176 (80)	6.290 ± 5%
212 (100)	3.400 ± 5%

### DÉTECTEUR DE TEMPÉRATURE À RÉSISTANCE



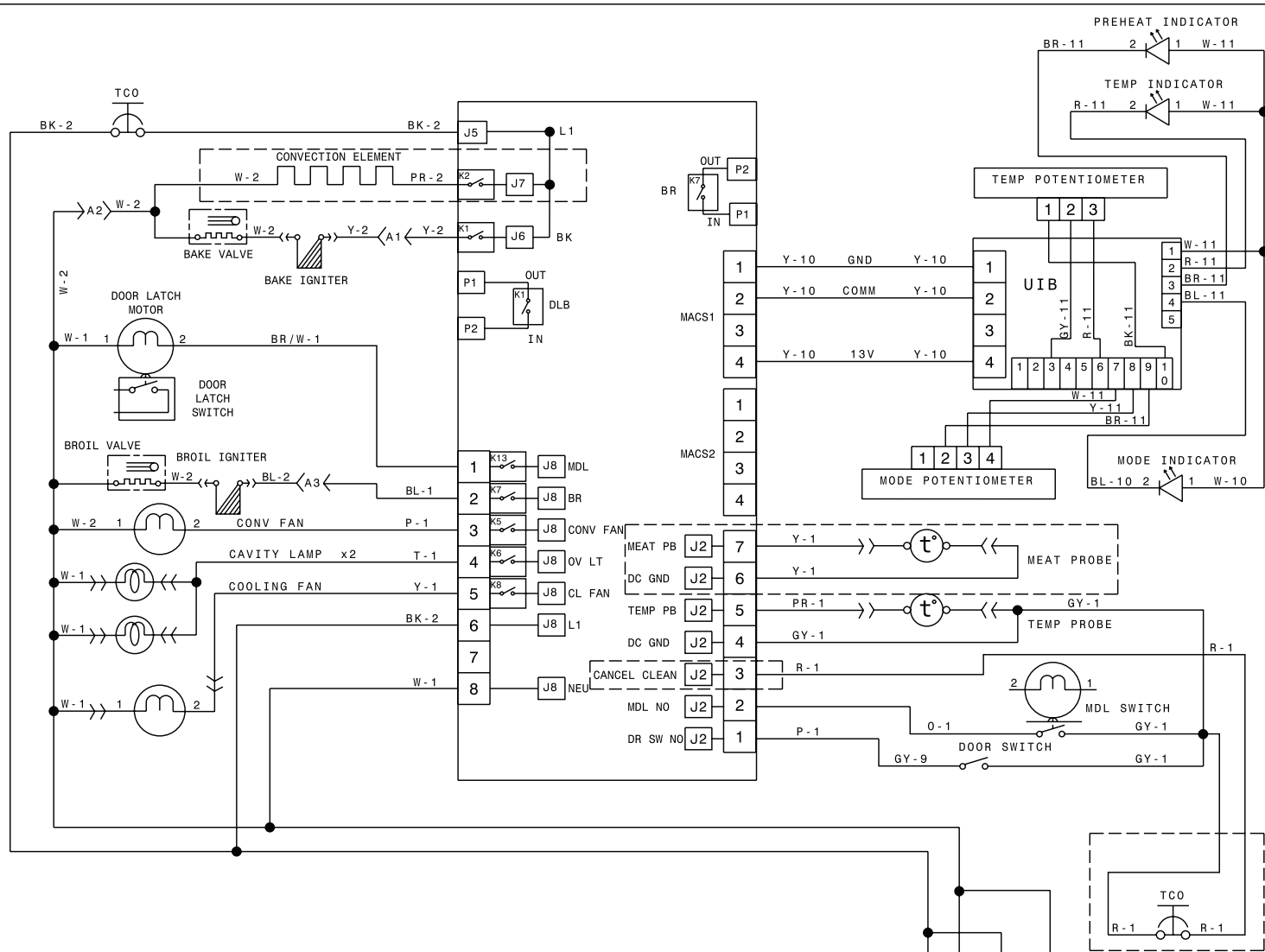
**IMPORTANT**  
N'ENLEVEZ PAS CE SAC OU NE DÉTRUISEZ PAS SON CONTENU  
CONTIENT LES SCHÉMAS DE CÂBLAGE ET LES INFORMATIONS DE RÉPARATION  
REMETTRE LE CONTENU DANS LE SAC

809216917 REV A (06/20)

## CODES D'ERREUR POUR LES COMMANDES ÉLECTRONIQUES

Code	Description du code d'erreur	Mesure corrective suggérée
F1	Alarme interne (microcontrôleur)	Coupez l'alimentation électrique, attendez 30 secondes, puis rebranchez l'appareil. Si le problème persiste, remplacez le système de commande.
F2	Alarme visuelle des données de l'interface homme-machine (IHM)	
F3	Alarme du total de contrôle de la configuration (fonction de cuisson de l'interface utilisateur du four)	
F4	Alarme de configuration du clavier (alarme de sécurité du clavier)	
F5		
F10	Emballage de la température du four	Vérifiez le détecteur de température à résistance et remplacez-le au besoin. Si une surchauffe excessive se produit, coupez l'alimentation électrique. Si le problème persiste, remplacez le panneau de relais. Le four doit être remplacé au complet si une surchauffe excessive a causé des dommages importants.
F11	Court-circuit de la touche/touche coincée	<ol style="list-style-type: none"> <li>Si une touche est enfoncée par inadvertance pendant longtemps, ce code d'erreur sera affiché. Assurez-vous qu'il n'y a rien (eau, ustensiles) qui entre en contact avec le clavier. Le code d'erreur devrait disparaître une fois que la touche est relâchée et que la touche Stop (arrêt) est enfoncée. Si le code d'erreur s'affiche de nouveau lorsque vous appuyez sur une touche, cela signifie que la condition d'erreur subsiste toujours. Si le code d'erreur ne s'affiche plus, cela signifie que la condition d'erreur est disparue et que le four peut être utilisé.</li> <li>Si le problème persiste, testez le faisceau de fils entre la carte d'interface utilisateur du four (connecteur I2C1 ou I2C2).</li> <li>Si vous ne pouvez pas effacer le code de défaillance et que le câblage est en bonne condition, le panneau tactile est probablement défectueux : remplacez le système de commande (IHM et panneau tactile)</li> </ol>
F12	Alarme de configuration du clavier : l'interface utilisateur du four a reçu du panneau tactile de l'IHM une touche qui ne correspond pas à la carte de touches.	Coupez l'alimentation électrique de l'appareil et attendez 30 secondes. Si l'alarme persiste, remplacez le panneau de commande tactile et l'interface utilisateur du four.
F13	Alarme visuelle des données de l'interface utilisateur du four (alarme de la mémoire non volatile)	Coupez l'alimentation électrique de l'appareil et attendez 30 secondes. Si le problème persiste, remplacez l'interface utilisateur du four.
F15	Erreur de clavier, impossible de lire la touche Cancel (annuler)	Coupez l'alimentation électrique, attendez 30 secondes, puis rebranchez l'appareil. Si le problème persiste, remplacez l'ensemble de commande tactile.
F16	Alarme de défaillance du potentiomètre	Coupez l'alimentation électrique de l'appareil, attendez 30 secondes, et vérifiez le faisceau de fils entre les potentiomètres et l'interface utilisateur du four. Remplacez le potentiomètre du four. Si le problème persiste, remplacez la commande et les potentiomètres.
F17	L'interface utilisateur du four ne parvient pas à configurer l'alarme de l'interface homme-machine	Coupez l'alimentation électrique, attendez 30 secondes, puis rebranchez l'appareil. Si le problème persiste, vérifiez les connexions du faisceau de fils de I2C1 ou I2C2. Si l'alarme persiste, remplacez l'ensemble de commande tactile.
F18	Oven relay board failure (wigglér)	Remplacez la carte de circuit imprimé d'alimentation (commandes du four).
F19	Défaillance du panneau de relais du four (onduleur)	Coupez l'alimentation électrique, attendez 30 secondes, puis rebranchez l'appareil. Si le problème n'est pas réglé, vérifiez la connexion entre l'interface utilisateur du four et les commandes du four (MACS1 ou MACS2); si le problème persiste, remplacez l'interface utilisateur du four et/ou les commandes du four.
F22	L'interface utilisateur du four ne parvient pas à configurer les commandes du four	Confirmez la tension adéquate à travers le système. Coupez l'alimentation électrique de l'appareil, attendez 30 secondes, puis rebranchez-le. Si l'erreur persiste, vérifiez la connexion du faisceau de fils de MCS1 ou MACS2. Si le faisceau n'est pas endommagé, remplacez l'interface utilisateur du four et/ou les commandes du four.
F23	Défaillance de communication entre l'interface utilisateur du four et les commandes du four	Confirmez la tension adéquate à travers le système. Coupez l'alimentation électrique de l'appareil, attendez 30 secondes, puis rebranchez-le. Si l'erreur persiste, vérifiez le faisceau de fils entre l'IHM et l'interface utilisateur du four et testez I2C1 ou I2C2. Si le problème persiste, remplacez l'IHM (panneau tactile) et/ou l'interface utilisateur du four.
F25	Problème de communication entre le panneau tactile (IHM) et l'interface utilisateur (interface utilisateur du four)	Confirmez la tension adéquate à travers le système. Coupez l'alimentation électrique de l'appareil, attendez 30 secondes, puis rebranchez-le. Si l'erreur persiste, vérifiez la connexion du faisceau de fils de MCS1 ou MACS2. Si le problème persiste, remplacez l'interface utilisateur du four et/ou le panneau tactile.
F27		
F29	La communication entre le panneau tactile et l'interface utilisateur du four ne peut pas être établie.	Confirmez la tension adéquate à travers le système. Coupez l'alimentation électrique de l'appareil, attendez 30 secondes, puis rebranchez-le. Si l'erreur persiste, vérifiez le faisceau de fils de I2C1 ou I2C2. Si l'erreur persiste, vérifiez le faisceau de fils de MACS1 ou MACS2 entre l'interface utilisateur du four et la carte d'alimentation. Si le problème persiste, remplacez l'interface homme-machine et/ou l'interface utilisateur du four.
F30	Connexion ou sonde ouverte	Vérifiez la résistance à la température ambiante et comparez-la à celles qui figurent dans le tableau du détecteur de température à résistance. Si la résistance ne correspond pas, remplacez la sonde du détecteur de température à résistance et vérifiez le faisceau entre le détecteur de température à résistance et les commandes du four.
F31	Court-circuit de la sonde du détecteur de température	Vérifiez la résistance à la température ambiante et comparez-la à celles qui figurent dans le tableau du détecteur de température à résistance. Si la résistance ne correspond pas, remplacez la sonde du détecteur de température à résistance et vérifiez le faisceau entre le détecteur de température à résistance et les commandes du four.
F33	Le capteur de température de la sonde thermique a subi un court-circuit ou est trop chaud.	L'erreur est déclenchée si la sonde thermique détecte une température supérieure à 200 °C (393 °F). Assurez-vous que la sonde n'a pas été utilisée dans de telles températures. La sonde n'est pas insérée complètement.
F45	La vitesse du ventilateur de refroidissement est trop lente dans le four supérieur (inférieur)	Vérifiez si les lames du ventilateur de refroidissement sont coincées. Confirmez que le faisceau du tachymètre est connecté au ventilateur et aux commandes du four. Remplacez le ventilateur de refroidissement/la commande du four.
F46	Le capteur de température de la sonde thermique a subi un court-circuit ou est trop chaud.	Assurez-vous qu'une obstruction mécanique ne bloque pas le flux d'air. Confirmez que le faisceau du tachymètre est connecté au ventilateur et aux commandes du four. Remplacez le ventilateur de refroidissement/la commande du four.
F50	A/D hors plage : la commande du four ne peut pas lire l'état des interrupteurs (porte, loquet motorisé de la porte).	Assurez-vous qu'il y a une bonne connexion entre l'interrupteur de porte, le loquet motorisé de la porte et les sondes de température. Cela comprend les épissures et les jonctions. Si le problème persiste, remplacez le panneau de relais.
F61	Absence du signal de passage par zéro des commandes du four.	Coupez l'alimentation électrique de l'appareil, attendez 30 secondes, puis rebranchez-le. Si la défectuosité est toujours présente, vérifiez la continuité du faisceau entre les commandes du four et l'alimentation. Remplacez les commandes du four.
F90	Temps maximal pour le déverrouillage de la porte de four dépassé.	<ol style="list-style-type: none"> <li>Coupez l'alimentation électrique de l'appareil, attendez 30 secondes, puis rebranchez-le. Essayez à nouveau de verrouiller ou de déverrouiller la porte.</li> <li>Vérifiez si le moteur de verrouillage est en marche. S'il ne fonctionne pas, testez le câblage entre le moteur de verrouillage et le panneau de relais du four. Si le câblage n'est pas défectueux, vérifiez s'il existe une tension de 120 V CA au moteur lorsqu'il doit fonctionner pour voir si la défaillance provient d'un moteur défectueux (l'alimentation de 120 V CA est présente, mais le four ne fonctionne pas) ou d'un problème avec le panneau de relais (J20 broche 10 sur le panneau de relais du four est la sortie du loquet motorisé de la porte). Le moteur peut également être testé avec 120 V CA directement au moteur (débranchez d'abord la carte relais); si le moteur ne fonctionne pas, remplacez le loquet motorisé de la porte. Si le panneau de relais ne fournit pas 120 V CA au moteur, remplacez le panneau de relais.</li> <li>Si le moteur de verrouillage est en marche, mais les commandes du four ne trouvent pas la position verrouillée (par exemple : le loquet motorisé de la porte fonctionne continuellement jusqu'à ce que le code d'erreur F90 soit affiché), l'interrupteur de verrouillage doit être vérifié. Vérifiez le câblage entre l'interrupteur de verrouillage et le panneau de relais. Vérifiez, avec l'ohmmètre, si l'interrupteur établit un bon contact.</li> <li>Si les étapes ci-dessus ne permettent pas de résoudre le problème, remplacez le panneau de relais du four.</li> </ol>
F95	Défaillance du loquet motorisé de la porte. Le loquet motorisé ne s'arrête pas ou l'interrupteur de verrouillage envoie un signal non valide.	Le problème peut être causé par un interrupteur de verrouillage défectueux ou par un panneau de relais du four défectueux. Si le loquet motorisé de la porte est toujours actif (comme si le relais le contrôlant était coincé en position fermée), remplacez le panneau de relais. Si le moteur ne fonctionne pas toujours, remplacez l'ensemble du moteur de verrouillage.
F96	La porte du four a été détectée ouverte pendant un cycle d'autonettoyage.	<ol style="list-style-type: none"> <li>Cette erreur se produit si l'interrupteur de la porte a perdu le contact pendant un cycle d'autonettoyage. Assurez-vous que la porte du four se ferme correctement et que vous appuyez à fond sur le bouton de la porte lorsque la porte est verrouillée, et que personne n'a tenté de tirer sur la porte du four pendant le cycle d'autonettoyage.</li> <li>Testez la continuité du câblage entre l'interrupteur de porte et le panneau de relais du four, assurez-vous que l'interrupteur de porte est bien connecté. Avec l'ohmmètre, vérifiez que l'interrupteur est fermé lorsque vous appuyez sur le bouton. Si l'interrupteur de porte s'avère défectueux, remplacez-le.</li> <li>Si les étapes ci-dessus ne permettent pas de résoudre le problème, remplacez le panneau de relais.</li> </ol>
F97	État invalide du loquet motorisé de la porte : le panneau de relais (commandes du four) a détecté un état inapproprié pour le loquet motorisé de la porte.	Coupez l'alimentation électrique de l'appareil, attendez 30 secondes, puis rebranchez-le. Si le problème persiste, remplacez le loquet motorisé de la porte. Si le problème persiste, remplacez le panneau de relais.
SCC	Le contrôleur de four affiche SCC et l'autonettoyage ne fonctionne pas.	Ne pas utiliser la surface de cuisson durant un cycle d'autonettoyage. Si le cycle d'autonettoyage est annulé, l'écran du contrôleur de four affiche le message < SCC > pendant 5 secondes. La porte de four demeure verrouillée jusqu'au refroidissement du four en dessous de la température de nettoyage. Une fois le four en dessous de la température de nettoyage, il est possible de lancer immédiatement un autre cycle d'autonettoyage. Si le four est toujours à sa température d'autonettoyage, il faut attendre que la porte soit déverrouillée avant de régler un autre cycle d'autonettoyage (jusqu'à 4 heures).

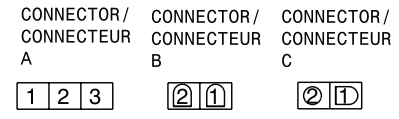




**COLOR CODE / CODE COULEUR**

- BK = BLACK/NOIR
- BR = BROWN/BRUN
- R = RED/ROUGE
- O = ORANGE/ORANGE
- Y = YELLOW/JAUNE
- G = GREEN/VERT
- BL = BLUE/BLEU
- PR = PURPLE/VIOLET
- GY = GREY/GRIS
- W = WHITE/BLANC
- T = TAN/BRONZER
- P = PINK/ROSE
- BR/W = BROWN/WHITE  
BRUN/BLANC
- O/BK = ORANGE/BLACK  
ORANGE/NOIR
- PR/O = PURPLE/ORANGE  
VIOLET/ORANGE
- GY/BK = GREY/BLACK  
GRIS/NOIR
- GY/O = GREY/ORANGE  
GRIS/ORANGE
- GY/Y = GREY/YELLOW  
GRIS/JAUNE
- GY/R = GREY/RED  
GRIS/ROUGE
- GY/BL = GREY/BLUE  
GRIS/BLEU

CODE CODE	GAUGE CALIBRE	TEMP.°C	CSA	UL
1	20	150	EXL-B	3321
2	18	150	EXL-B	3321
3	16	150	EXL-B	3321
4	14	150	EXL-B	3321
5	12	150	EXL-B	3321
6	20	125	EXL-A	3173
7	16	125	EXL-A	3173
8	14	125	EXL-A	3173
9	20	200	SF-1	3122
10	22	200	SF-1	10109
11	22	105		1569

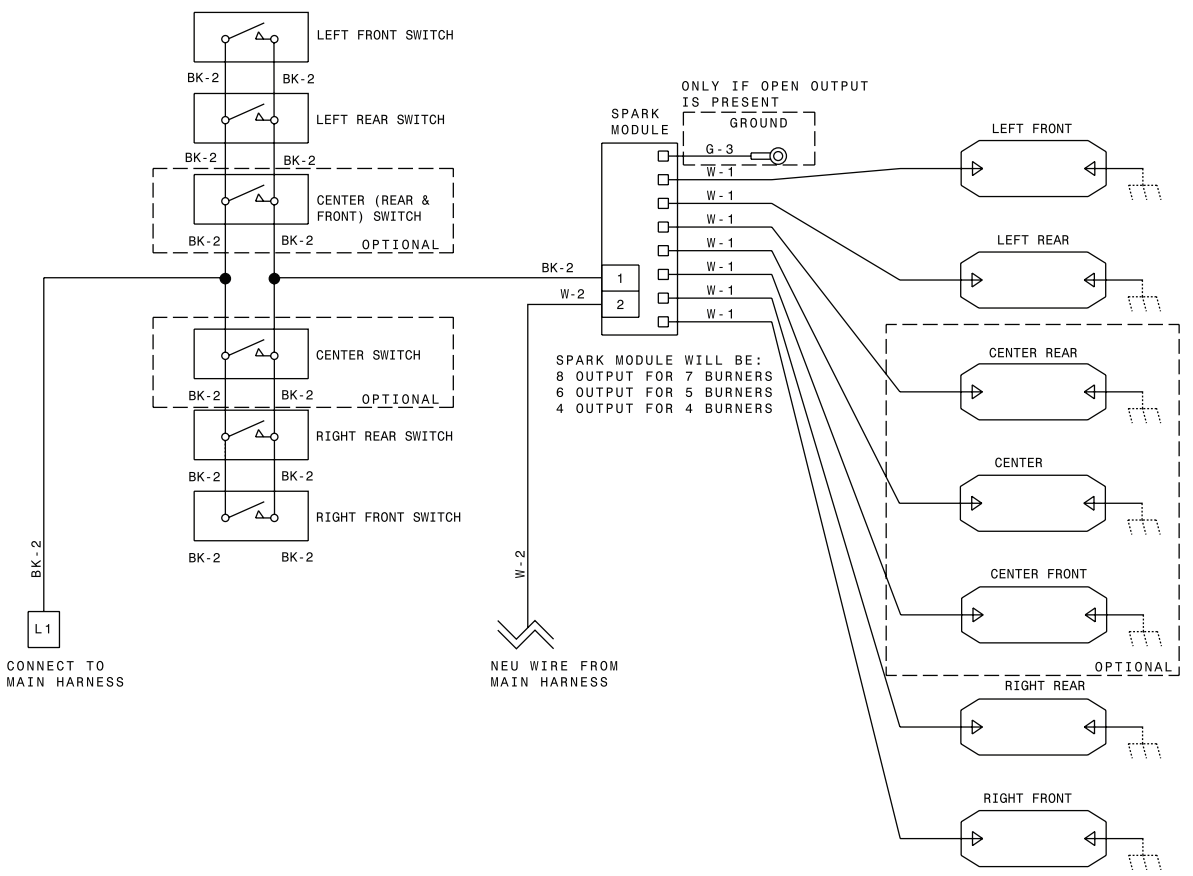


**CAUTION:** DISCONNECT POWER BEFORE SERVICING UNIT.  
 LABEL ALL WIRES PRIOR TO DISCONNECTION WHEN SERVICING CONTROLS.  
 WIRINGS ERRORS CAN CAUSE IMPROPER AND DANGEROUS OPERATION.  
 VERIFY PROPER OPERATION AFTER SERVICING.

**ATTENTION:** COUPEZ L'ALIMENTATION AVANT D'EFFECTUER LA REPARATION.  
 IDENTIFIEZ TOUS LES FILS AVANT DE LES DEBRANCHER QUAND L'APPAREIL EST HORS SERVICE.  
 LES ERREURS DE CONNECTION DE FILS PEUVENT CAUSER UN MAL FONCTIONNEMENT ET UN DANGER D'USAGE DE L'APPAREIL.  
 VERIFIEZ LE BON FONCTIONNEMENT DE L'APPAREIL APRES LE SERVICE.

PART NUMBER	REV.
<b>A12802916</b>	<b>A</b>

**COOKTOP CIRCUIT**



**COLOR CODE / CODE COULEUR**

- BK = BLACK/NOIR
- BR = BROWN/BRUN
- R = RED/ROUGE
- O = ORANGE/ORANGE
- Y = YELLOW/JAUNE
- G = GREEN/VERT
- BL = BLUE/BLEU
- PR = PURPLE/VIOLET
- GY = GREY/GRIS
- W = WHITE/BLANC
- T = TAN/BRONZER
- P = PINK/ROSE
- BR/W = BROWN/WHITE  
BRUN/BLANC
- O/BK = ORANGE/BLACK  
ORANGE/NOIR
- PR/O = PURPLE/ORANGE  
VIOLET/ORANGE
- GY/BK = GREY/BLACK  
GRIS/NOIR
- GY/O = GREY/ORANGE  
GRIS/ORANGE
- GY/Y = GREY/YELLOW  
GRIS/JAUNE
- GY/R = GREY/RED  
GRIS/ROUGE
- GY/BL = GREY/BLUE  
GRIS/BLEU

CODE CODE	GAUGE CALIBRE	TEMP.°C	CSA	UL
1	20	200	10202/3304	
2	20	150	EXL-B	3321
3	18	150	EXL-B	3321

**CAUTION:** DISCONNECT POWER BEFORE SERVICING UNIT.  
 LABEL ALL WIRES PRIOR TO DISCONNECTION WHEN SERVICING CONTROLS.  
 WIRINGS ERRORS CAN CAUSE IMPROPER AND DANGEROUS OPERATION.  
 VERIFY PROPER OPERATION AFTER SERVICING.

**ATTENTION:** COUPEZ L'ALIMENTATION AVANT D'EFFECTUER LA REPARATION.  
 IDENTIFIEZ TOUS LES FILS AVANT DE LES DEBRANCHER QUAND L'APPAREIL EST HORS SERVICE.  
 LES ERREURS DE CONNECTION DE FILS PEUVENT CAUSER UN MAL FONCTIONNEMENT ET UN DANGER D'USAGE DE L'APPAREIL.  
 VERIFIEZ LE BON FONCTIONNEMENT DE L'APPAREIL APRES LE SERVICE.

PART NUMBER	REV.
<b>A12802917</b>	<b>A</b>