



Buy it for looks. Buy it for life.®

# Specifications

There is more than 1 version of this model.  
Page down to identify the version you have.

## FAUCET DESCRIPTION

- Metal construction with chrome plated finish
- 1/2" IPS connections will accept standard ball nose connection for 3/8" tubing
- Includes Protégé side spray with Hydrolock® quick connect system

## OPERATION

- Acrylic knob style handles with hot and cold color indicators
- Rotate either handle counterclockwise to open and clockwise to close

## FLOW

- Aerator is limited to 2.2 gpm max (8.3 L/min)

## CARTRIDGE

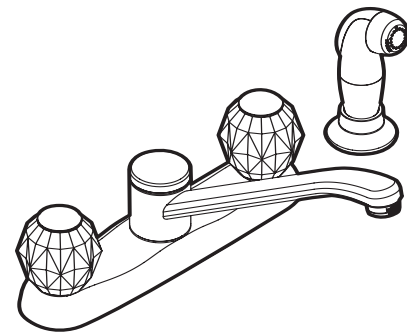
- 1224 cartridge design
- Nonmetallic and stainless steel material

## STANDARDS

- Third party certified to meet CSA B-125, ASME A112.18.1M and all applicable requirements referenced therein.
- Certified to ANSI/NSF 61/9
- Complies with California Proposition 65 and with the Federal Safe Water Drinking Act

## WARRANTY

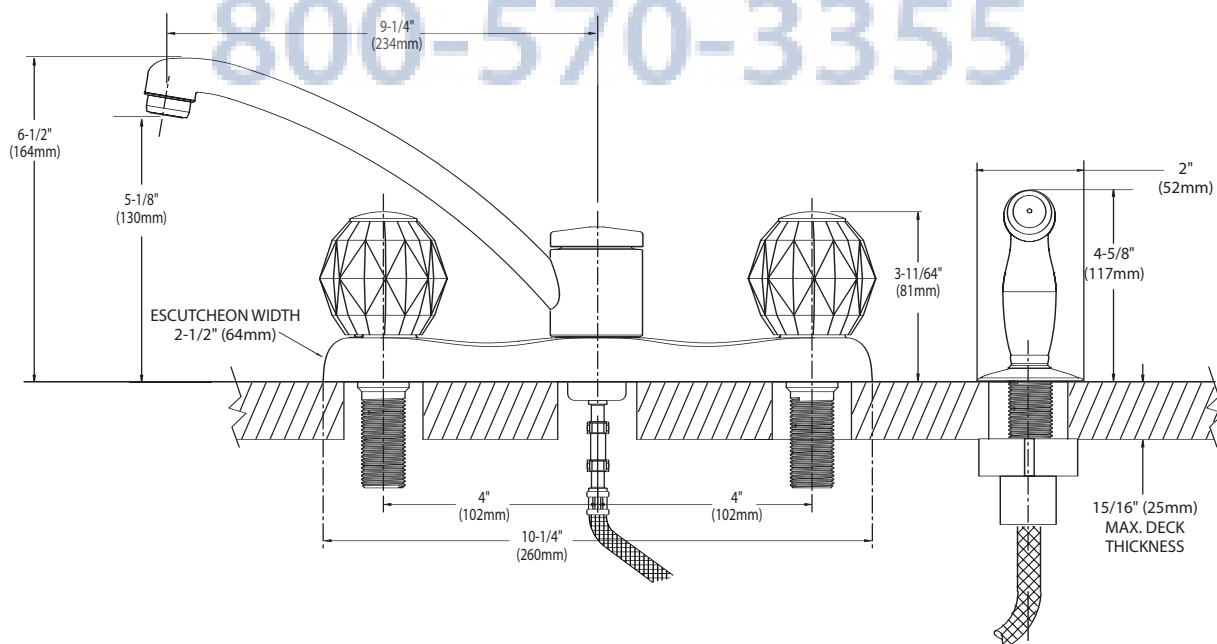
- Lifetime limited warranty against leaks, drips and finish defects to the original consumer purchaser
- 5 year warranty if used in commercial installations



**CHATEAU®**  
**Two-Handle Kitchen Faucet**  
**with Side Spray**

**Model: 7910**  
**Bulk Model: 67910**  
**(Bulk packed 12 per carton)**

**NOTE:** Designed to be installed through 4 holes - 1" min. dia. and on 4" centers



## CRITICAL DIMENSIONS

(DO NOT SCALE)



Buy it for looks. Buy it for life.®

# Specifications

## FAUCET DESCRIPTION

- Chrome plated metal construction
- 1/2" IPS connections will accept standard ball nose connection for 3/8" tubing
- Includes hose and spray

## OPERATION

- Acrylic knob style handles
- Operate the faucet by rotating either handle in a counterclockwise manner to open, and clockwise to close.

## FLOW

- Aerator is limited to 2.2 gpm max (8.3 L/min)

## CARTRIDGE

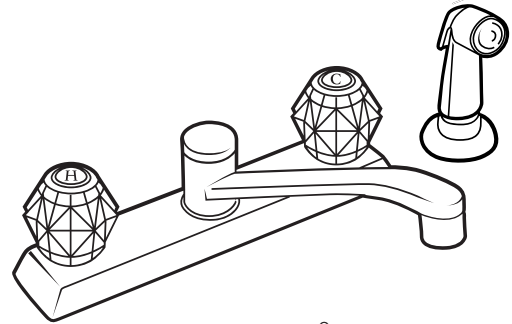
- 1224 cartridge design
- Nonmetallic and stainless steel material

## STANDARDS

- Third party certified by CSA to meet CSA B-125, ASME A112.18.1M and all applicable requirements referenced therein.
- Certified to ANSI/NSF 61/9
- Complies with California Proposition 65 and with the Federal Safe Water Drinking Act

## WARRANTY

- Lifetime limited warranty against leaks, drips and finish defects to the original consumer purchaser
- 5 year warranty if used in commercial installations



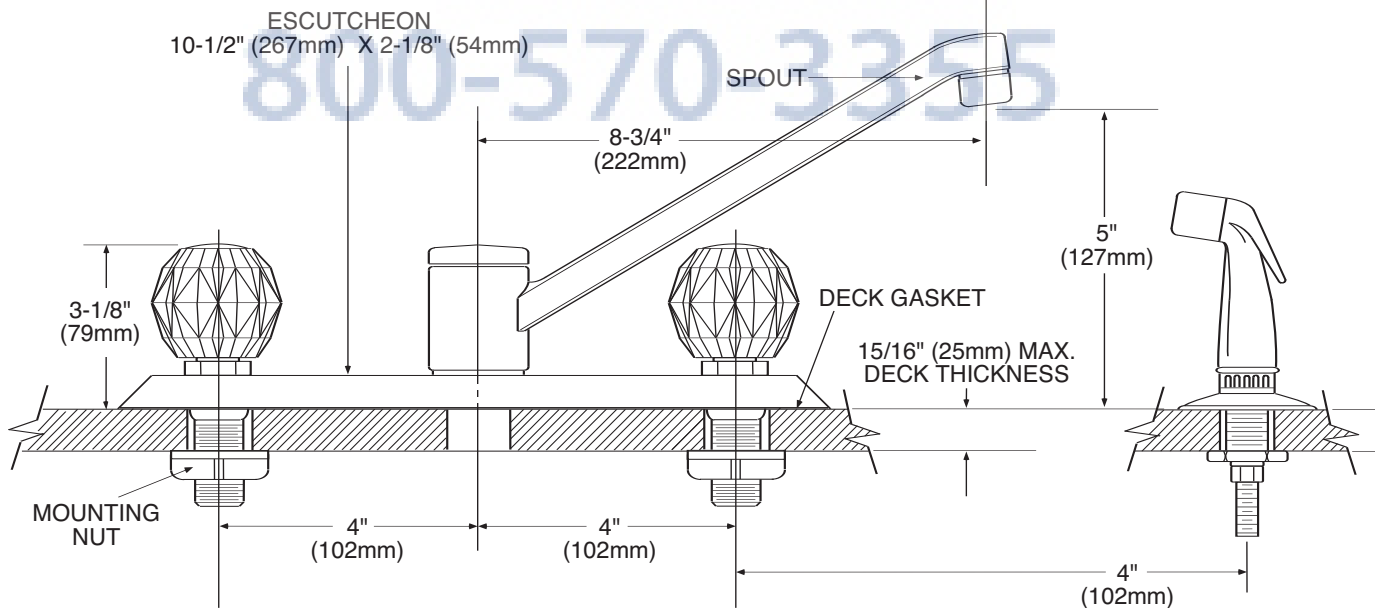
**CHATEAU®**  
**Two-Handle Knob Style Kitchen Faucet**

**Model:** 7910

**Bulk Model:** 67910

**(Bulk packed 12 per carton)**

**NOTE:** This faucet is designed to be installed through 4 holes 1" Min. Dia.



## CRITICAL DIMENSIONS

(DO NOT SCALE)