



Buy it for looks. Buy it for life.®

Specifications

FAUCET DESCRIPTION

- Metal construction with various finishes identified by suffix
- Inlet shanks will accept 3/8" ball nose connections
- Includes side spray with Hydrolock® quick connect system

OPERATION

- Lever style handle
- Temperature controlled by 180° arc of handle travel
- Operates with less than 5 lbs. of force


FLOW

- Aerator is limited to 2.2 gpm max (8.3 L/min)

CARTRIDGE

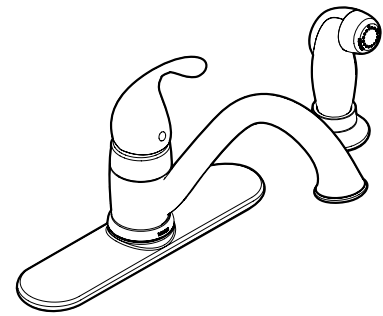
- 1225 cartridge design
- Nonmetallic/nonferrous and stainless steel material

STANDARDS

- Third party certified to: ASME A112.18.1/CSA B125.1, ICC A117.1 and all applicable requirements referenced therein.
- Certified to ANSI/NSF 61/9
- Complies with California Proposition 65 and with the Federal Safe Water Drinking Act
- **ADA**  for lever handles

WARRANTY

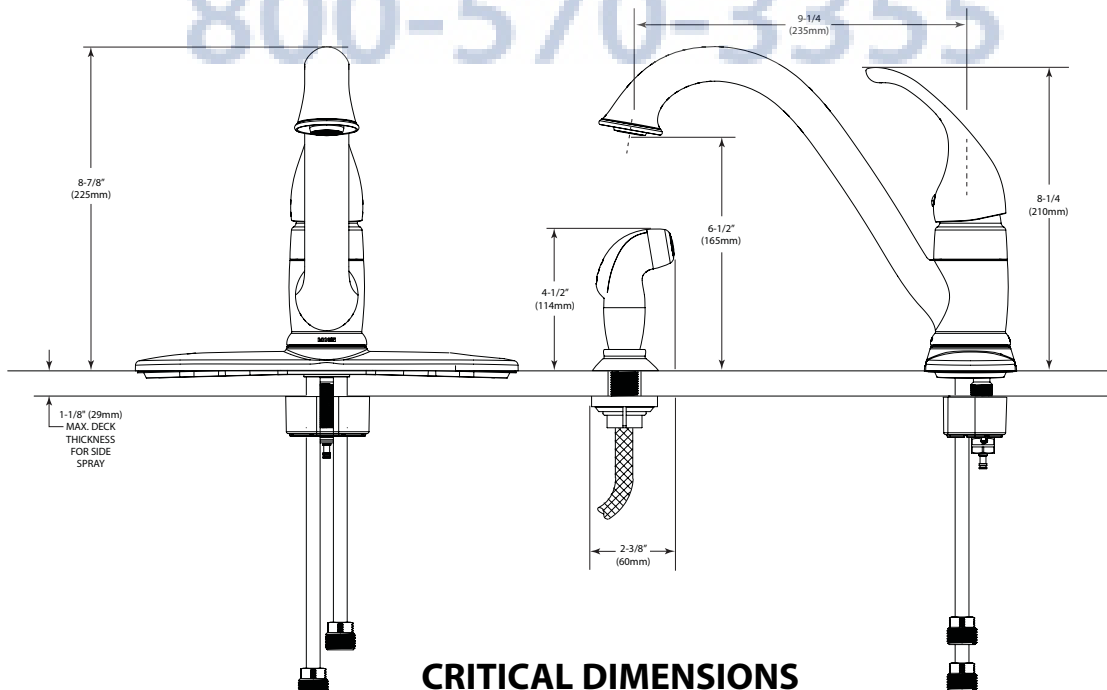
- Lifetime limited warranty against leaks, drips and finish defects to the original consumer purchaser
- 5 year warranty if used in commercial installations



Camerist™
Single Handle Lever Kitchen Faucet
with Protégé® Side Spray

Models: 7840 series
7825 series (without spray)

NOTE: DESIGNED TO INSTALL THROUGH
1 HOLE, 1-1/4" (32mm) MIN. DIA. OR 2 HOLES
1-1/4" (32mm) MIN. DIA. AND 4" ON CENTER



(DO NOT SCALE)