

FIG. A - PLAN VIEW CUT-OUT

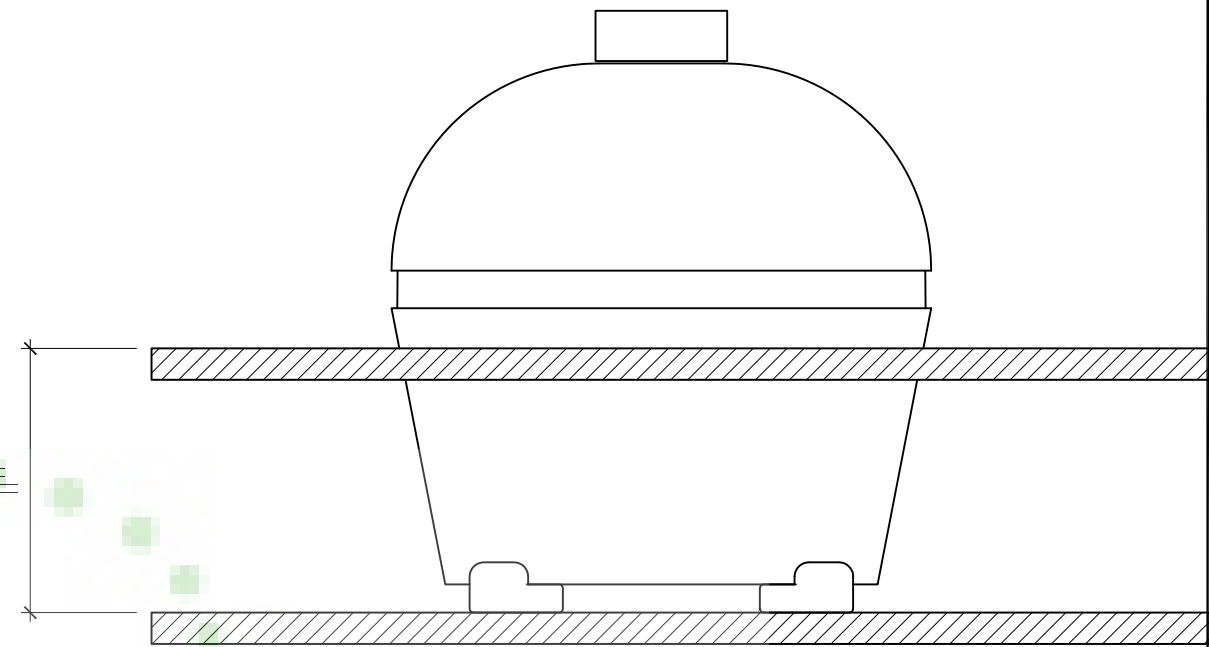


FIG. B - ELEVATION - HT. FROM TOP SURFACE TO SUPPORTING SHELF

TO HAVE THE LIP OF GRILL LOWER TO THE COUNTERTOP SURFACE USE THE TEMPLATE WITH THE HINGE NOTCH

| | |
|-----------|--------------------|
| DATE | 06.13.2013 |
| REVISIONS | |
| DATE | |
| SCALE | SCALE - AS SHOWN |
| JOB NO. | DRAWN BY G.L.W. |

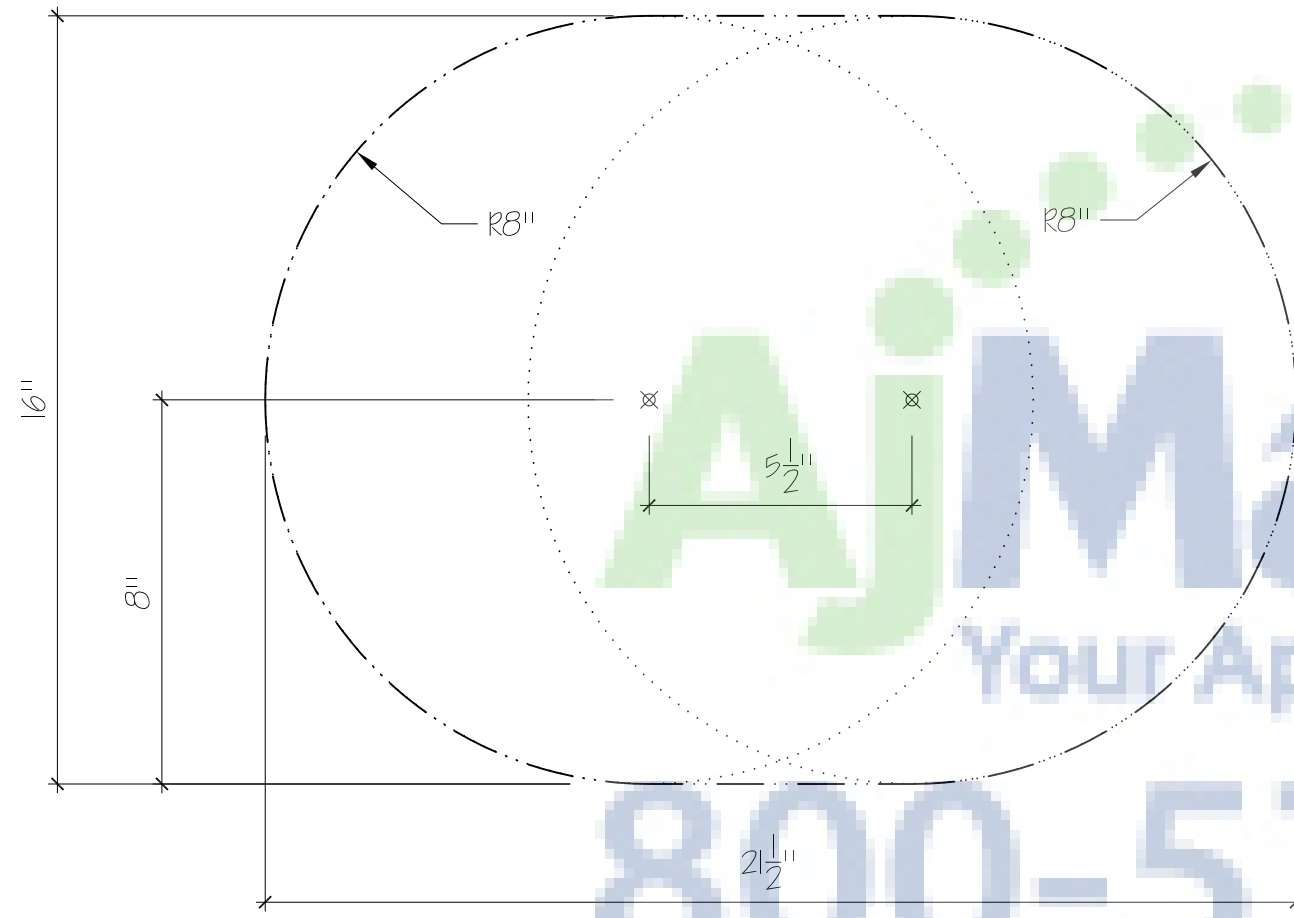


FIG. A - PLAN VIEW CUT-OUT

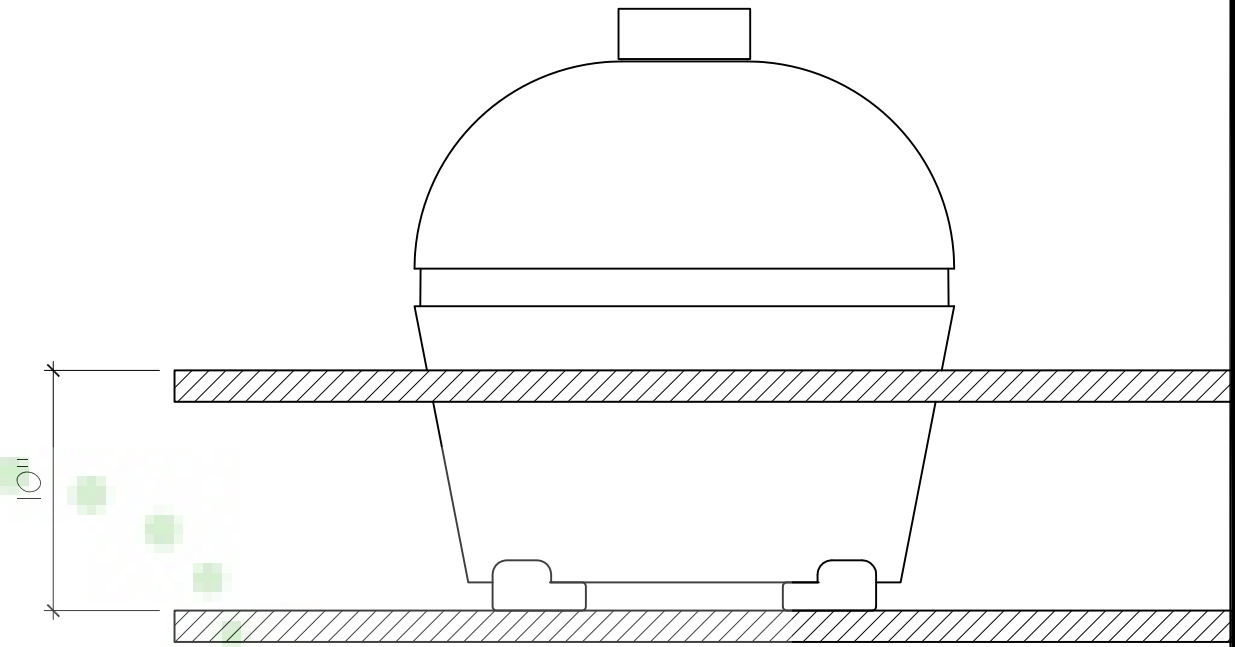


FIG. B - ELEVATION - HT. FROM TOP SURFACE TO SUPPORTING SHELF

| | |
|-----------|--------------------|
| DATE | 06.13.2013 |
| REVISIONS | |
| DATE | |
| SCALE | SCALE - AS SHOWN |
| JOB NO. | DRAWN BY G.L.W. |