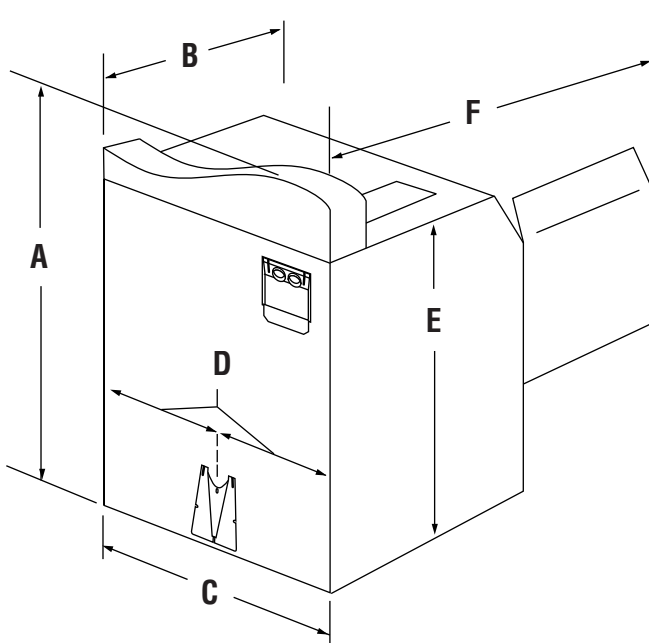


WASHER

Neptune Model

Dimensions

■	Inches	Centimeters
A	42 1/2	108.0
B <sup>1</sup>	28 1/4	71.8
C	27	68.6
D	13 1/2	34.3
E <sup>1</sup>	36 1/4	92.1
F <sup>2</sup>	50 1/2	128.3



Notes:

1. Dimension will vary according to adjustment of leveling legs.
2. Depth with door open 90° .
3. Dimensions B and F include 3/4" for hinge on back of washer.

**Important:** Because of continuing product improvements, Maytag reserves the right to change specifications without notice. Dimensional specifications are provided for planning purposes only. For complete details see installation instructions that accompany each product before selecting cabinetry, making cutouts or beginning installation.