



Buy it for looks. Buy it for life.®

There is more than 1 version of this model.  
Page down to identify the version you have.

**FAUCET DESCRIPTION**

- Metal construction with chrome plated finish
- Inlet shanks will accept 3/8" ball nose connections

**OPERATION**

- Mini blade style handles with hot and cold color indicators

**CARTRIDGE**

- 1224 cartridge design

**STANDARDS**

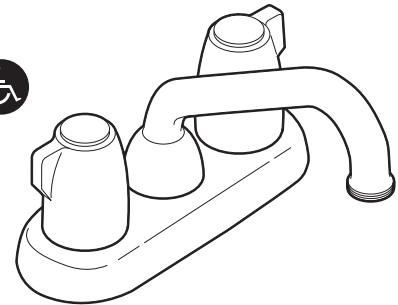
- Designed and manufactured to comply with the requirements of: CSA B-125 and ASME A112.18.1M and all applicable specifications referenced therein

**WARRANTY**

- Lifetime limited warranty against leaks, drips and finish defects

# Specifications

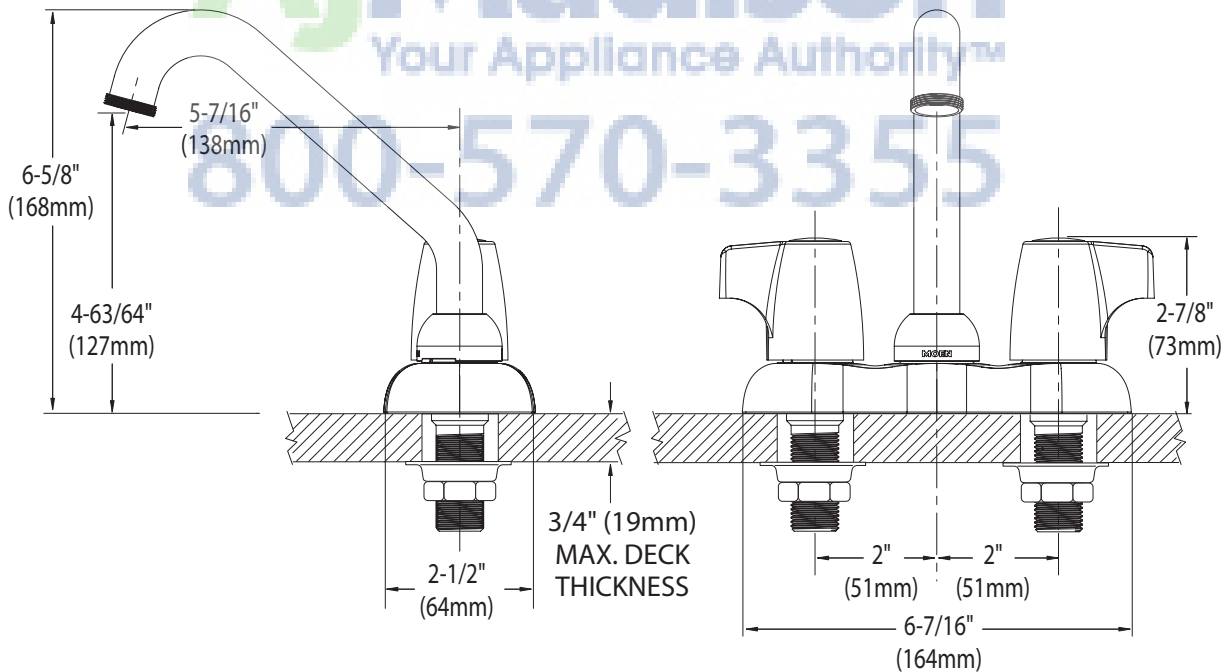
ADA



**MOEN®  
Two Handle Laundry Faucet**

**Model: 74998**

**NOTE:** Designed to be installed through 2 - 1" min. dia. holes 4" on center



## CRITICAL DIMENSIONS

(DO NOT SCALE)



Buy it for looks. Buy it for life.®

# Specifications

### FAUCET DESCRIPTION

- Chrome plated metal construction

### OPERATION

- Small lever style

### CARTRIDGE

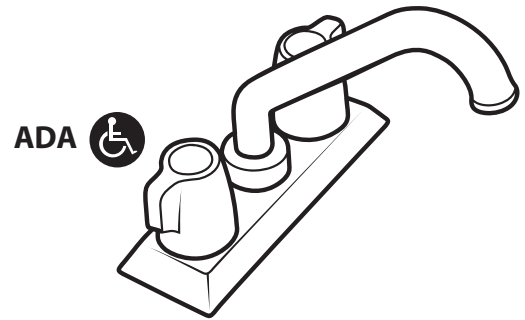
- 1224 cartridge design

### STANDARDS

- Designed and manufactured to comply with the requirements of: CSA B-125 and ASME A112.18.1M and all applicable specifications referenced therein

### WARRANTY

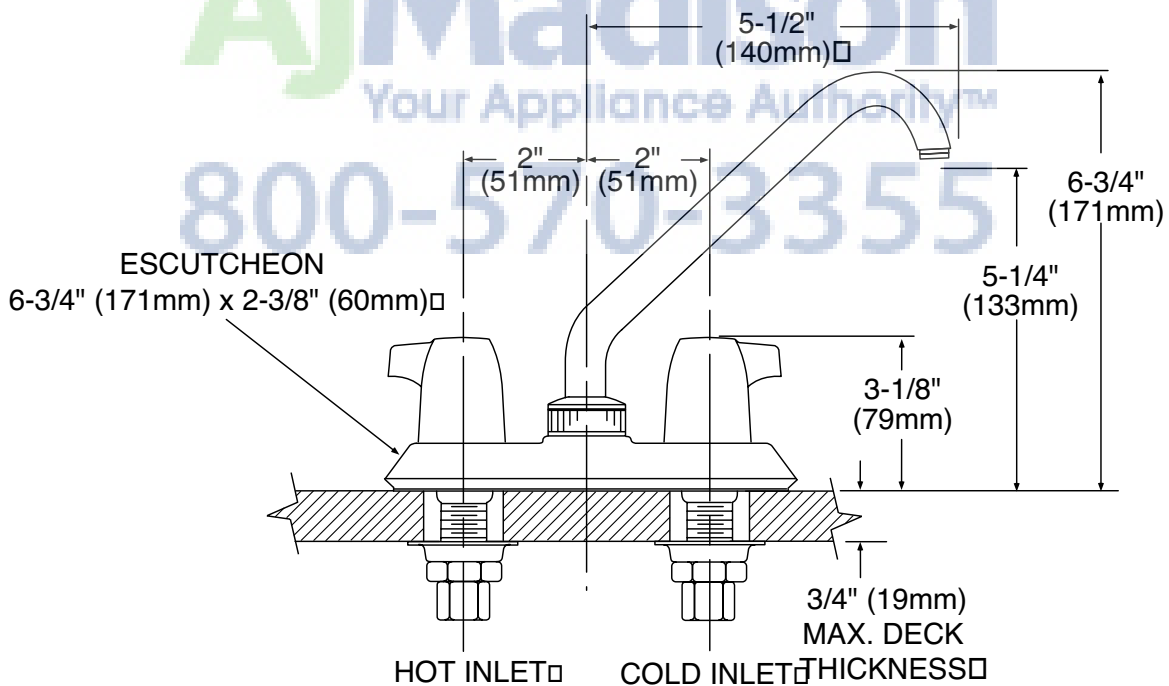
- Lifetime limited warranty against leaks, drips and finish defects



**MOEN®**  
**Two Handle Laundry Faucet**

**Model:** 74998

**NOTE:** DESIGNED TO INSTALL  
THRU 2 HOLES 1" (25mm) MIN. DIA.  
AND 4" (102mm) ON CENTER



## CRITICAL DIMENSIONS

(DO NOT SCALE)

FOR MORE INFORMATION CALL: 1-800-BUY-MOEN

[www.moen.com](http://www.moen.com)