



Buy it for looks. Buy it for life.®

# Specifications

*There is more than 1 version of this model.  
Page down to identify the version you have.*

## FAUCET DESCRIPTION

- Metal construction with chrome plated finish
- Flexible supplies with 3/8" compression fittings
- Includes Protégé side spray

## OPERATION

- Lever style handle
- Temperature controlled by 100° arc of handle travel
- Will operate with less than 5 lbs. of force


## FLOW

- Aerator is limited to 2.2 gpm max (8.3 L/min)

## CARTRIDGE

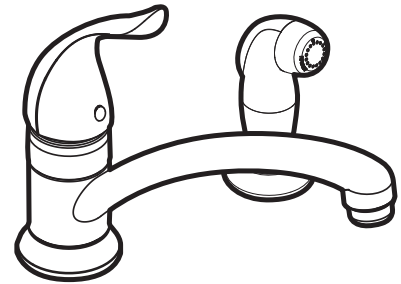
- 1255™ Duralast™ cartridge

## STANDARDS

- Third party certified to: CSA B-125.1, ASME A112.18.1, and all applicable requirements referenced therein including NSF61/9
- Complies with California Proposition 65 and with the Federal Safe Water Drinking Act
- **ADA**  for lever handles

## WARRANTY

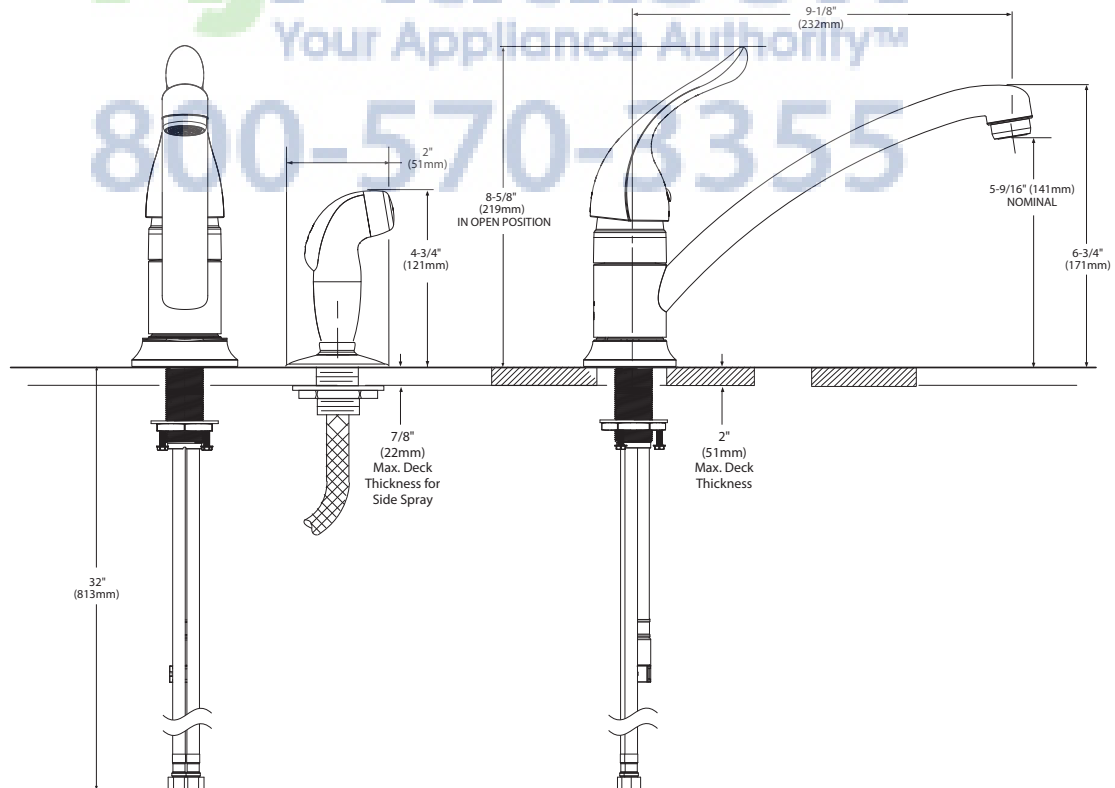
- Lifetime limited warranty against leaks, drips and finish defects to the original consumer purchaser
- 5 year warranty if used in commercial installations



**CHATEAU®**  
**Single-Handle Kitchen Faucet**

**Model:** 7423 less spray  
7437 with spray

**NOTE:** DESIGNED TO INSTALL  
THRU 2 HOLES 1-1/4" (32mm) MIN. DIA.  
AND 4" (102mm) ON CENTER



## CRITICAL DIMENSIONS

(DO NOT SCALE)



Buy it for looks. Buy it for life.®

# Specifications

*There is more than 1 version of this model.  
Page down to identify the version you have.*

## FAUCET DESCRIPTION

- Metal construction with chrome plated finish
- 1/2" IPS connections will accept standard ball nose connection for 3/8" tubing
- Includes Protégé side spray

## OPERATION

- Lever style handle
- Temperature controlled by 180° arc of handle travel
- Will operate with less than 5 lbs. of force


## FLOW

- Aerator is limited to 2.2 gpm max (8.3 L/min)

## CARTRIDGE

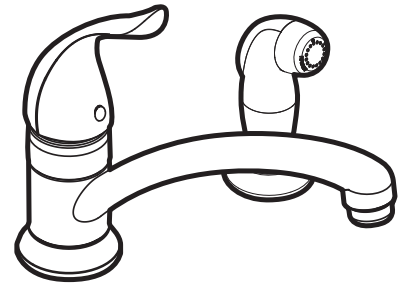
- 1225 cartridge design (not 1200)
- Nonmetallic/nonferrous and stainless steel material

## STANDARDS

- Third party certified to CSA B-125.1, ASME A112.18.1, ICC A117.1 and all applicable requirements referenced therein including NSF 61/9
- Complies with California Proposition 65 and with the Federal Safe Drinking Water Act
- ADA  for lever handle

## WARRANTY

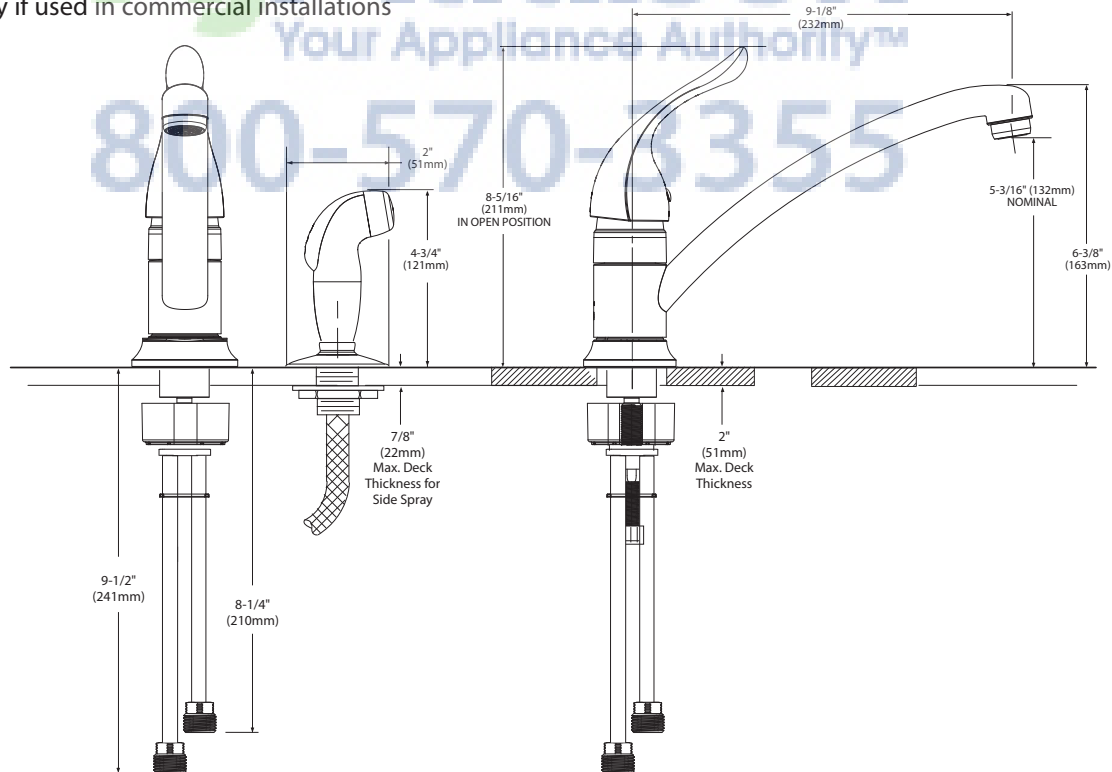
- Lifetime limited warranty against leaks, drips and finish defects to the original consumer purchaser
- 5 year warranty if used in commercial installations



**CHATEAU®**  
**Single-Handle Kitchen Faucet**  
**w/Protégé Side Spray**

**Model: 7437**

**NOTE:** DESIGNED TO INSTALL  
THRU 2 HOLES 1-1/4" (32mm) MIN. DIA.  
AND 4" (102mm) ON CENTER



## CRITICAL DIMENSIONS

(DO NOT SCALE)



Buy it for looks. Buy it for life.®

# Specifications

## FAUCET DESCRIPTION

- Metal construction with either chrome plated, decorative glacier or sand finish
- 1/2" IPS connections will accept standard ball nose connection for 3/8" tubing
- Includes Protégé side spray

## OPERATION

- Lever style handle
- Temperature controlled by 180° arc of handle travel
- Will operate with less than 5lbs. of force

## FLOW

- Aerator is limited to 2.2 gpm max (8.3 L/min)

## CARTRIDGE

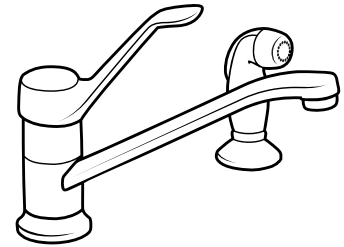
- 1225 cartridge design (not 1200)
- Nonmetallic/nonferrous and stainless steel material

## STANDARDS

- Designed and manufactured to comply with the requirements of: CSA B-125, ASME A112.18.1M, and all applicable requirements referenced therein and complies with the applicable requirements of ANSI A117.1.
- Certified to ANSI/NSF 61/9
- Complies with California Proposition 65 and with the Federal Safe Water Drinking Act

## WARRANTY

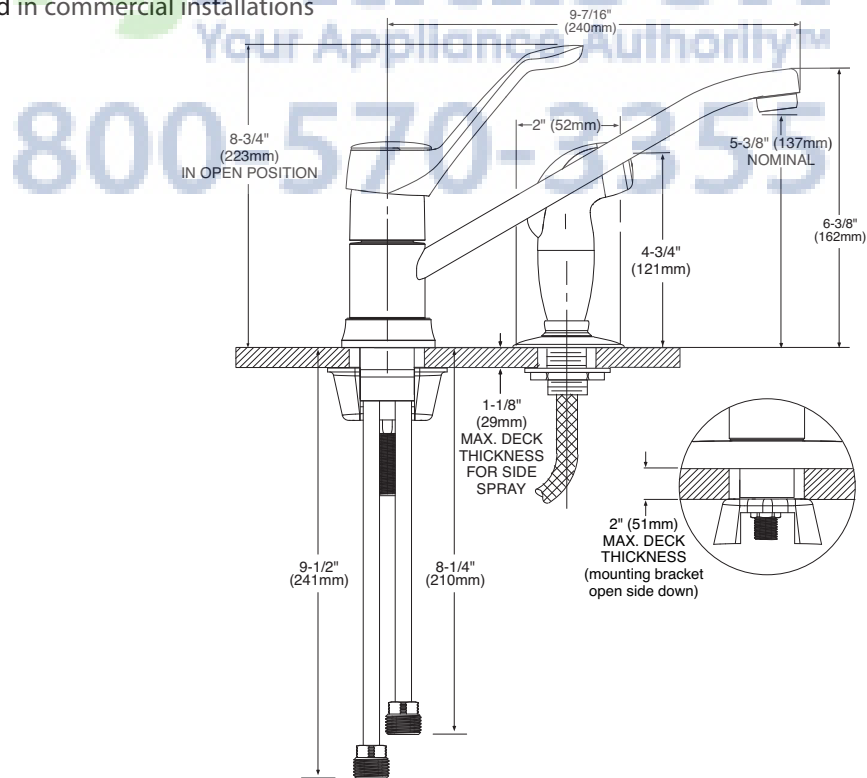
- Lifetime limited warranty against leaks, drips and finish defects to the original consumer purchaser
- 5 year warranty if used in commercial installations



## CHATEAU® Single-Handle Kitchen Faucet w/Protégé Side Spray

Models: 7437, 7437S, 7437W, 87437

**NOTE:** DESIGNED TO INSTALL  
THRU 2 HOLES 1-1/4" (32mm) MIN. DIA.  
AND 4" (102mm) ON CENTER



## CRITICAL DIMENSIONS

(DO NOT SCALE)