

**Refrigeration Equipment  
Mega Top Table, 48" with 18GN1/6  
containers - Stainless Steel (R290)**

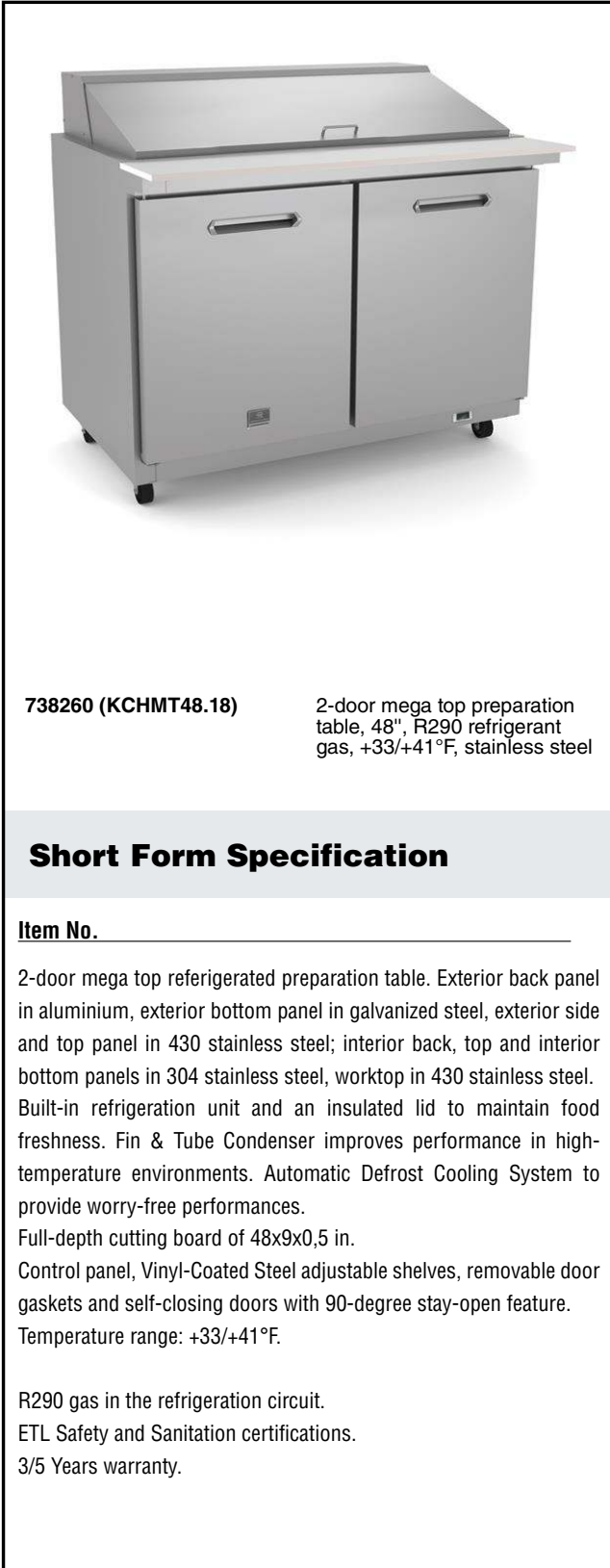
ITEM # \_\_\_\_\_

MODEL # \_\_\_\_\_

NAME # \_\_\_\_\_

SIS # \_\_\_\_\_

AIA # \_\_\_\_\_



**738260 (KCHMT48.18)**

2-door mega top preparation table, 48", R290 refrigerant gas, +33/+41°F, stainless steel

**Short Form Specification**

Item No. \_\_\_\_\_

2-door mega top refrigerated preparation table. Exterior back panel in aluminium, exterior bottom panel in galvanized steel, exterior side and top panel in 430 stainless steel; interior back, top and interior bottom panels in 304 stainless steel, worktop in 430 stainless steel. Built-in refrigeration unit and an insulated lid to maintain food freshness. Fin & Tube Condenser improves performance in high-temperature environments. Automatic Defrost Cooling System to provide worry-free performances. Full-depth cutting board of 48x9x0,5 in. Control panel, Vinyl-Coated Steel adjustable shelves, removable door gaskets and self-closing doors with 90-degree stay-open feature. Temperature range: +33/+41°F.

R290 gas in the refrigeration circuit.  
ETL Safety and Sanitation certifications.  
3/5 Years warranty.

**Main Features**

- External temperature display.
- CFC and HCFC free, highly ecological refrigerant type: R290 (ecological gas in foam: cyclopentane). Hydrocarbon refrigerant gas R290 for the lowest environmental impact (GWP=3), to reduce green house and ozone depletion effects.
- Removable door gasket for easy cleaning operations.
- Hydrocarbon refrigerant gas R290 for the lowest environmental impact (GWP=3) - CFC and HCFC free.
- Fin & Tube Condenser improves performance in high temperature environments.
- Automatic Defrost Cooling System provides worry-free performance.
- Electronic Temperature Control, quick and simple to set, with control display for easy monitoring.
- Full Depth cutting board.
- High efficiency components to minimize the energy consumption still guaranteeing the highest performances.
- Cabinet and door insulated with high density polyurethane for low environmental impact.
- Heavy duty Vinyl coated steel shelves.

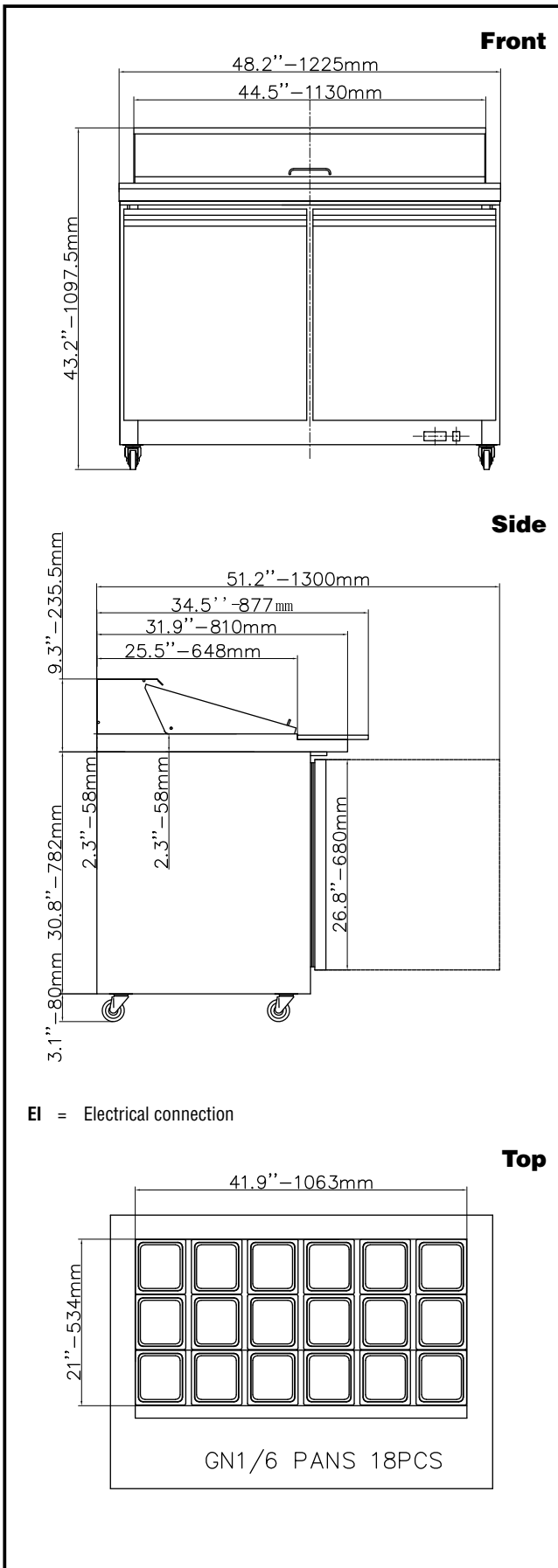
**Construction**

- Self-closing door with 90-degree stay-open feature.
- Heavy duty casters.
- Insulated lid maintains food freshness.
- Holds 18 1/6 pans.
- Pre-wired heavy duty power cord.
- Heavy duty door hinges.
- Magnetic door gasket removable without tools for easy cleaning.

**Optional Accessories**

- shelf for 48" and 72" (left/right) mega top, salad and undercounter  PNC 880597
- shelf clips  PNC 880611
- drawers kit for 48" mega top & undercounter  PNC 880616

APPROVAL: \_\_\_\_\_



## Electric

<b>Supply voltage:</b>	738260 (KCHMT48.18)	115 V/1 ph/60 Hz
<b>Electrical power, max:</b>		0.7 kW
<b>Current consumption:</b>		7 Amps
<b>Plug type:</b>		USA NEMA 5-15P

## Capacity:

<b>Gross capacity:</b>	12 cu.feet
------------------------	------------

## Key Information:

<b>Door hinges:</b>	1 Left+1 Right
<b>External dimensions, Width:</b>	48 1/4" (1225 mm)
<b>External dimensions, Depth:</b>	34 1/2" (877 mm)
<b>External dimensions, Height:</b>	43 3/16" (1097.5 mm)
<b>Number and type of doors:</b>	2 Full
<b>Internal Dimensions (depth):</b>	23 13/16"
<b>Internal Dimensions (height):</b>	23 1/2"
<b>Internal Dimensions (width):</b>	42 13/16"
<b>Shipping height:</b>	47 1/4" (1200 mm)
<b>Shipping weight:</b>	320 lbs (145 kg)
<b>Shipping volume:</b>	48.78 ft <sup>3</sup> (1.38 m <sup>3</sup> )
<b>Number and type of grids (included):</b>	2 - Vinyl-Coated Steel
<b>Type of external material:</b>	Stainless Steel
<b>Type of internal material:</b>	Polystyrene
<b>Warranty:</b>	3 / 5 years

## Refrigeration Data

<b>Compressor power:</b>	
<b>Refrigerant type:</b>	R290
<b>Refrigerant weight:</b>	90 g
<b>Operating temperature min.:</b>	32 °F
<b>Operating temperature max.:</b>	41 °F
<b>Condenser type:</b>	Fin & tube
<b>Defrost type:</b>	Auto Defrost