

PRODUCT SPECIFICATIONS

In-wall Chiller Box for Use With 1 or 8 GPH Chillers. Made of Galvanized Steel.

Mounting Type:	Recessed Mount
Material:	Galvanized Steel
Finish:	Stainless Steel
Shipping Weight:	20 lbs.

Special Note: For use with 1 or 8 GPH chillers.

- Allows chiller to be mounted behind a wall.
- Compatible with specific remote chiller models.
- Minimum depth of 12" from wall face required.
- Secures directly to a variety of load-bearing surfaces.
- Remote chillers may install up to 15 feet away from bottle filling station and/or drinking fountain.
- Built in the USA.



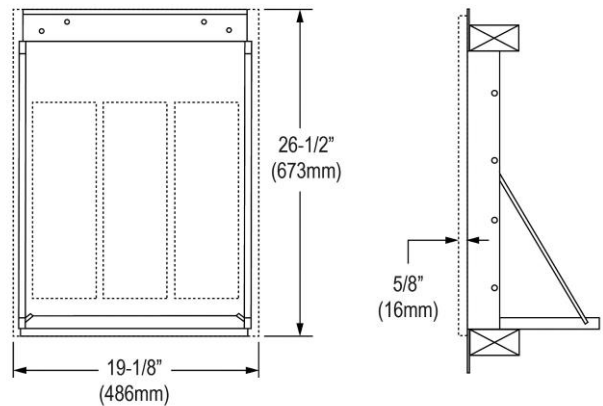
Included with Product: Chiller Box & Grill

A Century of Tradition and Quality.

For more than 100 years, Elkay has been making innovative products and providing exceptional customer care. We take pride in offering plumbing products that make life easier, inspire change and leave the world a better place.



[Installation Instructions \(PDF\) - 97255C](#)



PART: _____ QTY: _____

PROJECT: _____

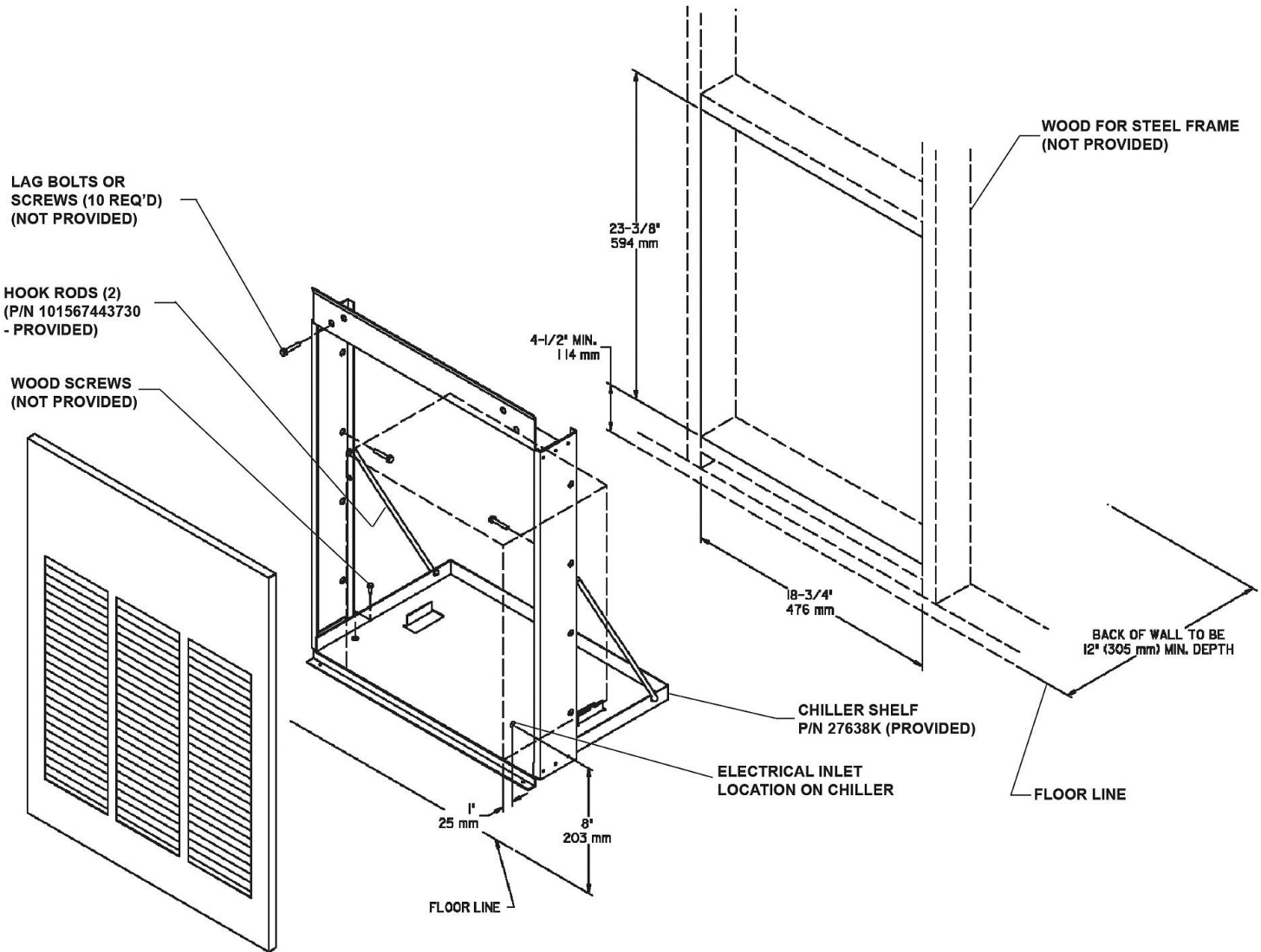
CONTACT: _____

DATE: _____

NOTES: _____

APPROVAL: _____

In keeping with our policy of continuing product improvement, Elkay reserves the right to change product specifications without notice. Please visit elkay.com for the most current version of Elkay product specification sheets. This specification describes an Elkay product with design, quality, and functional benefits to the user. When making a comparison of other producers' offerings, be certain these features are not overlooked.



In keeping with our policy of continuing product improvement, Elkay reserves the right to change product specifications without notice. Please visit elkay.com for the most current version of Elkay product specification sheets. This specification describes an Elkay product with design, quality, and functional benefits to the user. When making a comparison of other producers' offerings, be certain these features are not overlooked.