



Buy it for looks. Buy it for life.®

There is more than 1 version of this model.
Page down to identify the version you have.

FAUCET DESCRIPTION

- Metal construction with various finishes identified by suffix
- Flexible supplies with 3/8" compression fittings
- Includes matching finish side spray

OPERATION

- Lever style handle
- Temperature controlled by 100° arc of handle travel
- Will operate with less than 5 lbs. of force

FLOW


- Aerator is limited to 2.2 gpm (8.3 L/min).

CARTRIDGE

- 1255™ Duralast™ cartridge

STANDARDS

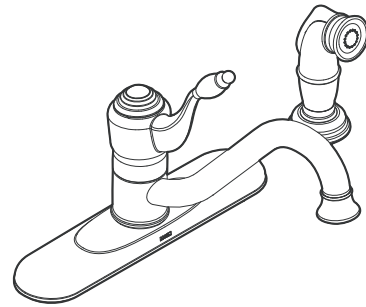
- Third party certified to CSA B-125.1, ASME A112.18.1, and all applicable requirements referenced therein including NSF61/9
- Complies with California Proposition 65 and with the Federal Safe Drinking Water Act

- ADA  for lever handles

WARRANTY

- Lifetime limited warranty against leaks, drips and finish defects to the original consumer purchaser
- 5 year warranty if used in commercial installations

Specifications



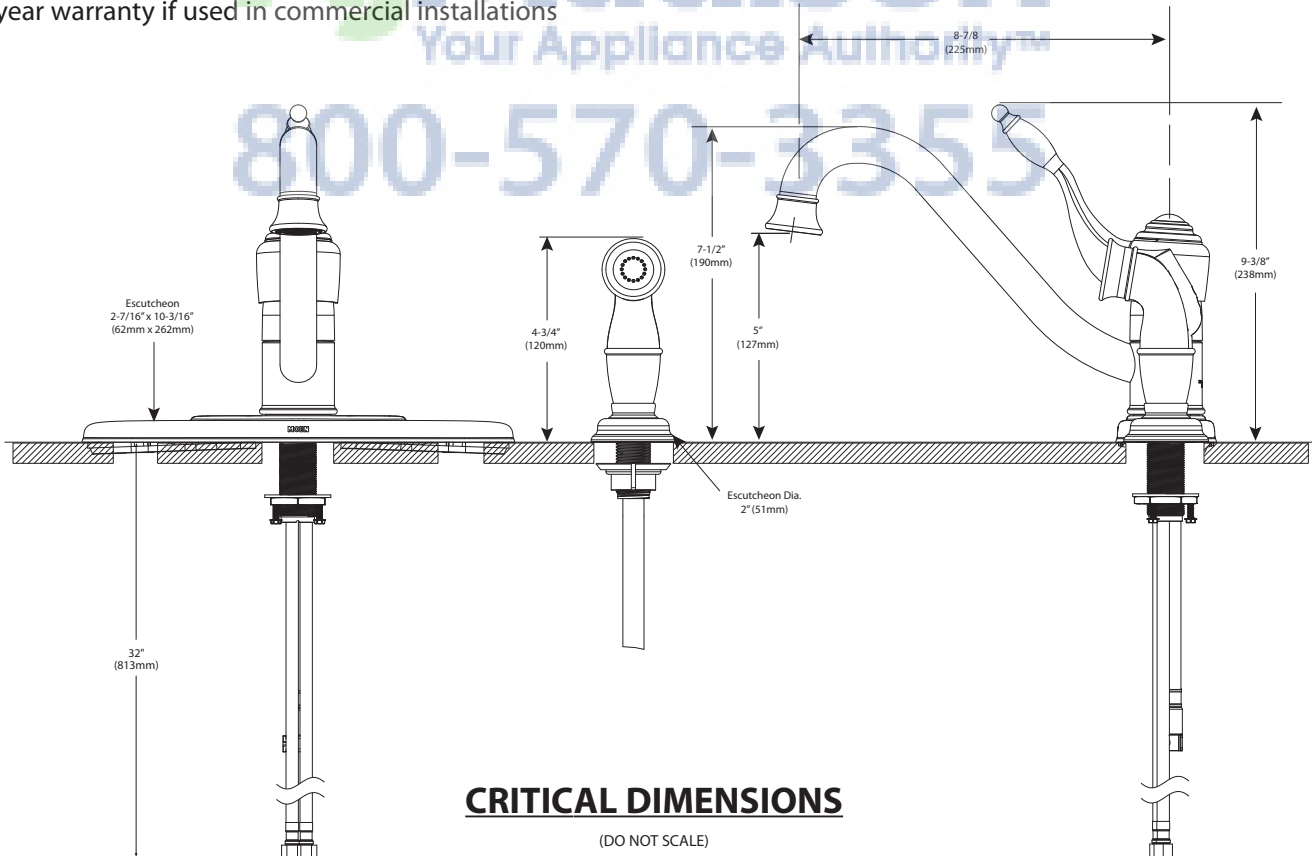
CASTLEBY™

Single-Handle Lever Kitchen Faucet

Models: 7308 series with spray
7307 less spray

Bulk Models: 67308 series with spray
67307 less spray

NOTE: Designed to install through
4 holes 1-1/4" (32mm) min. dia. and
4" (102mm) on center



Aj Madison
Your Appliance Authority™
800-570-3355



Buy it for looks. Buy it for life.®

Specifications

FAUCET DESCRIPTION

- Metal construction with chrome plated or LifeShine® stainless finish
- 1/2" IPS connections will accept standard ball nose connection for 3/8" tubing
- Includes matching finish side spray

OPERATION

- Lever style handle
- Temperature controlled by 180° arc of handle travel
- Will operate with less than 5 lbs. of force


FLOW

- Aerator is limited to 2.2 gpm (8.3 L/min).

CARTRIDGE

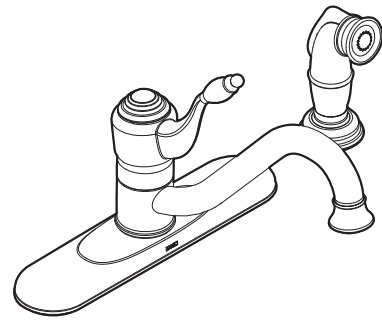
- 1225 cartridge design
- Nonmetallic, nonferrous and stainless steel material

STANDARDS

- Third party certified to CSA B125.1, ASME A112.18.1, ICC 117.1 and all applicable requirements referenced therein including NSF 61/9
- Complies with California Proposition 65 and with the Federal Safe Drinking Water Act
- ADA  for lever handle

WARRANTY

- Lifetime limited warranty against leaks, drips and finish defects to the original consumer purchaser
- 5 year warranty if used in commercial installations



CASTLEBY™

Single-Handle Lever Kitchen Faucet

Models: 7308, 7308SL

7307*, 7307SL*

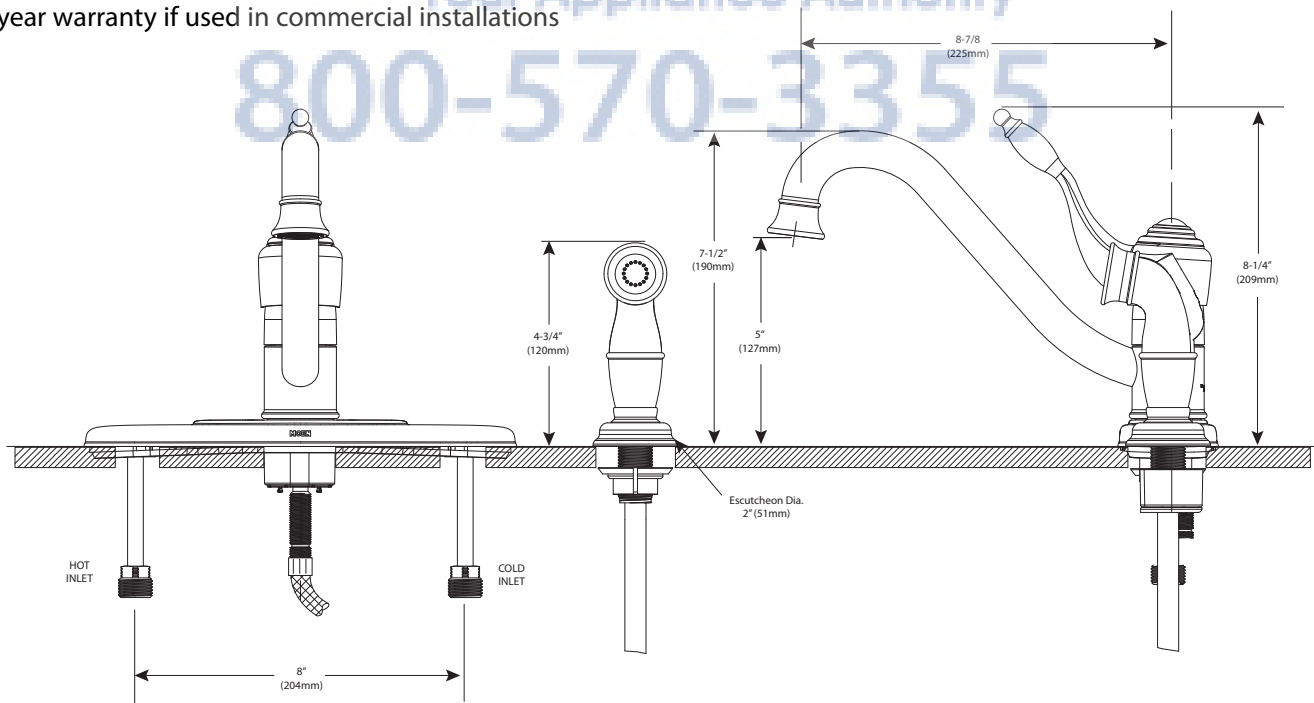
*Less Side Spray

Bulk Models: 67308, 67307*

*Less Side Spray

(packed 12 per carton)

NOTE: Designed to install through 4 holes 1-1/4" (32mm) min. dia. and 4" (102mm) on center



CRITICAL DIMENSIONS

(DO NOT SCALE)

FOR MORE INFORMATION CALL: 1-800-BUY-MOEN

www.moen.com