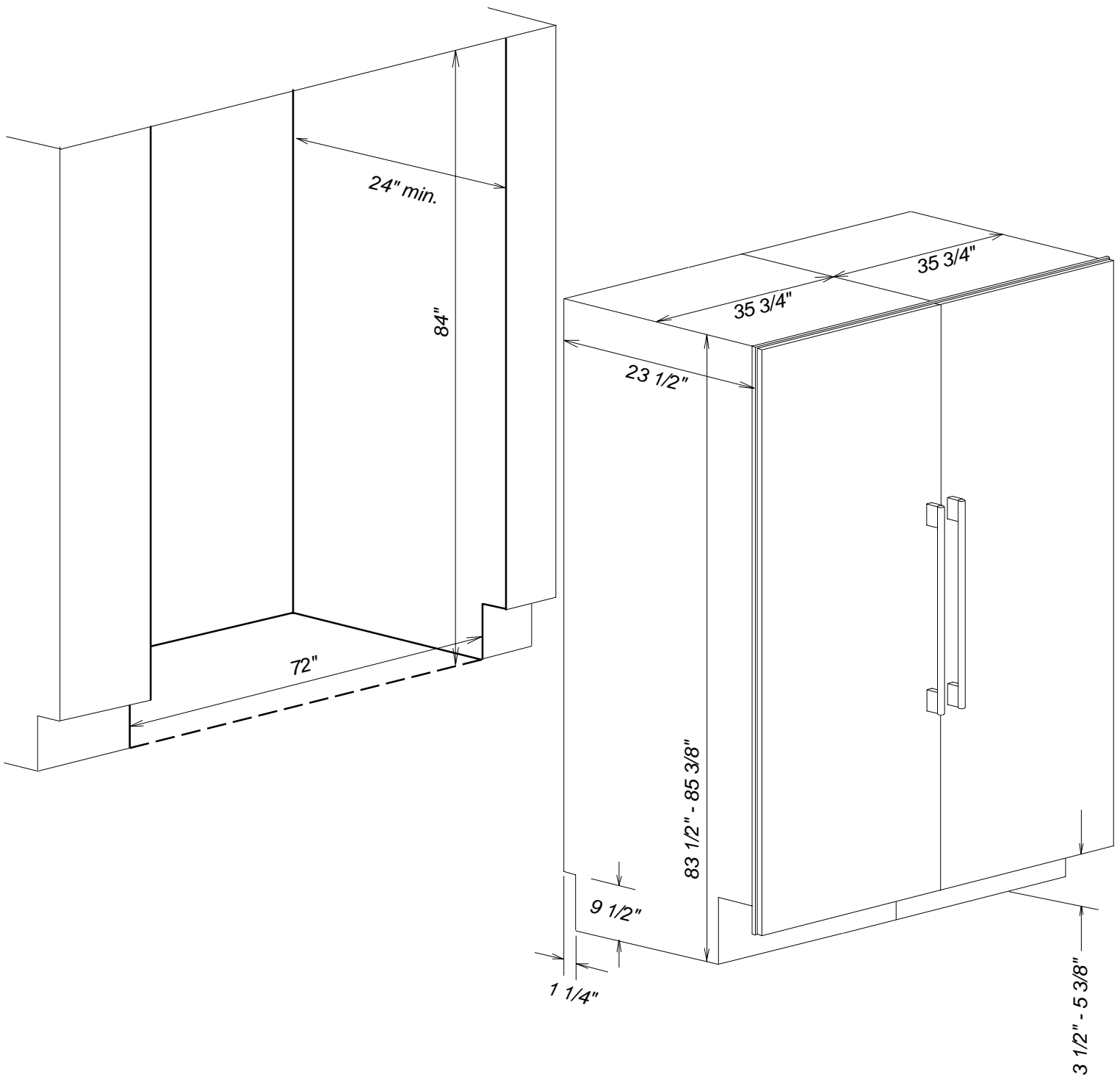


Product and Cut-out Dimensions 72" Side by Side Combination F1911SF & K1901SF



Notes

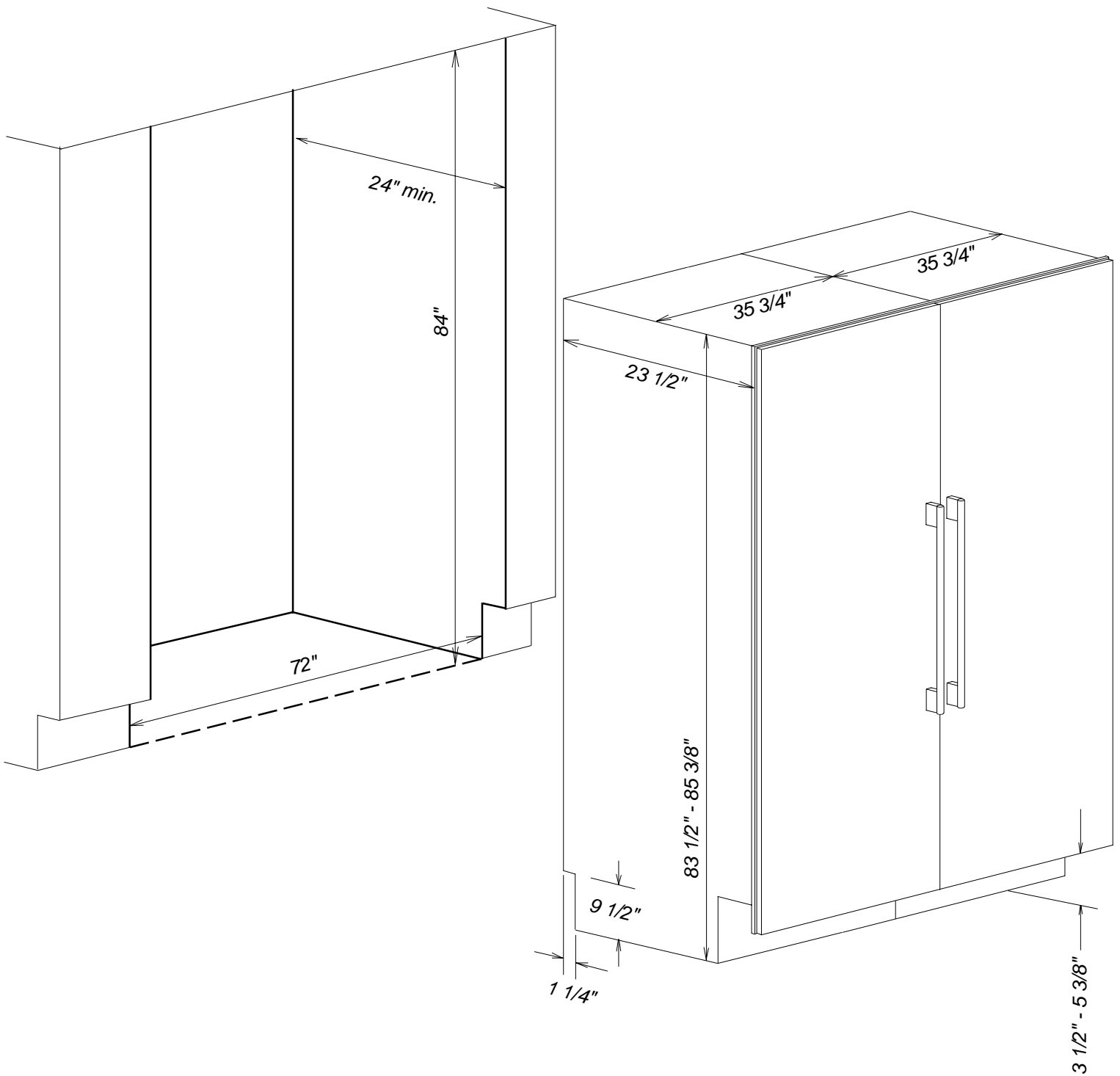
- See individual unit specs for location information
- KTF1072 Upper frame is required when combining to 72"
- KSK1002 Merging kit must be used when combining units
- All Installations must be done in accordance with local codes

NOTE: Drawing is not to scale.
SPECIFICATION SHEETS 011208

Product and Cut-out Dimensions

72" Side by Side Combination

K1911SF & F1901SF



Notes

- See individual unit specs for location information
- KTF1072 Upper frame is required when combining to 72"
- KSK1002 Merging kit must be used when combining units
- All Installations must be done in accordance with local codes

NOTE: Drawing is not to scale.
SPECIFICATION SHEETS 011208