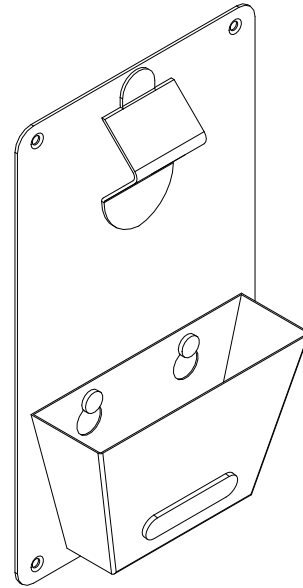
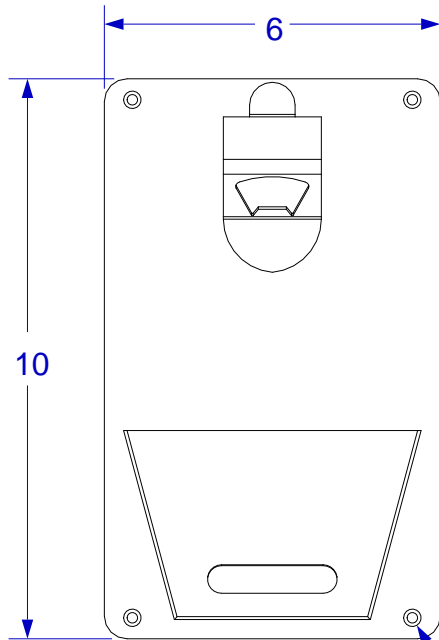




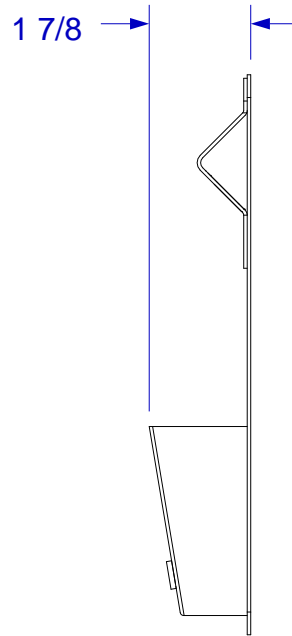
BOTTLE OPENER
SPEC SHEET
ITEM # 66006



ISOMETRIC VIEW



FRONT VIEW



RIGHT SIDE VIEW

Ø 3/16 THRU
Ø 5/16 COUNTER SINK
(4 PLCS)

- NOTES:**
1. SCALE: 3 1/2" = 1'-0"
2. REVISION: 10/2009