

SPW1103

33.5" x 23.63" x 24.0" (H x W x D)

Front-load washer with European design, stainless steel drum, and 1000 rpm in slim 24" width

Highlights:

- Front-load design maximizes convenience and minimizes energy waste
- Uses less water and detergent than comparable units
- Durable stainless steel tub handles fabric with care
- Smart technology automatically adjusts for optimal washing

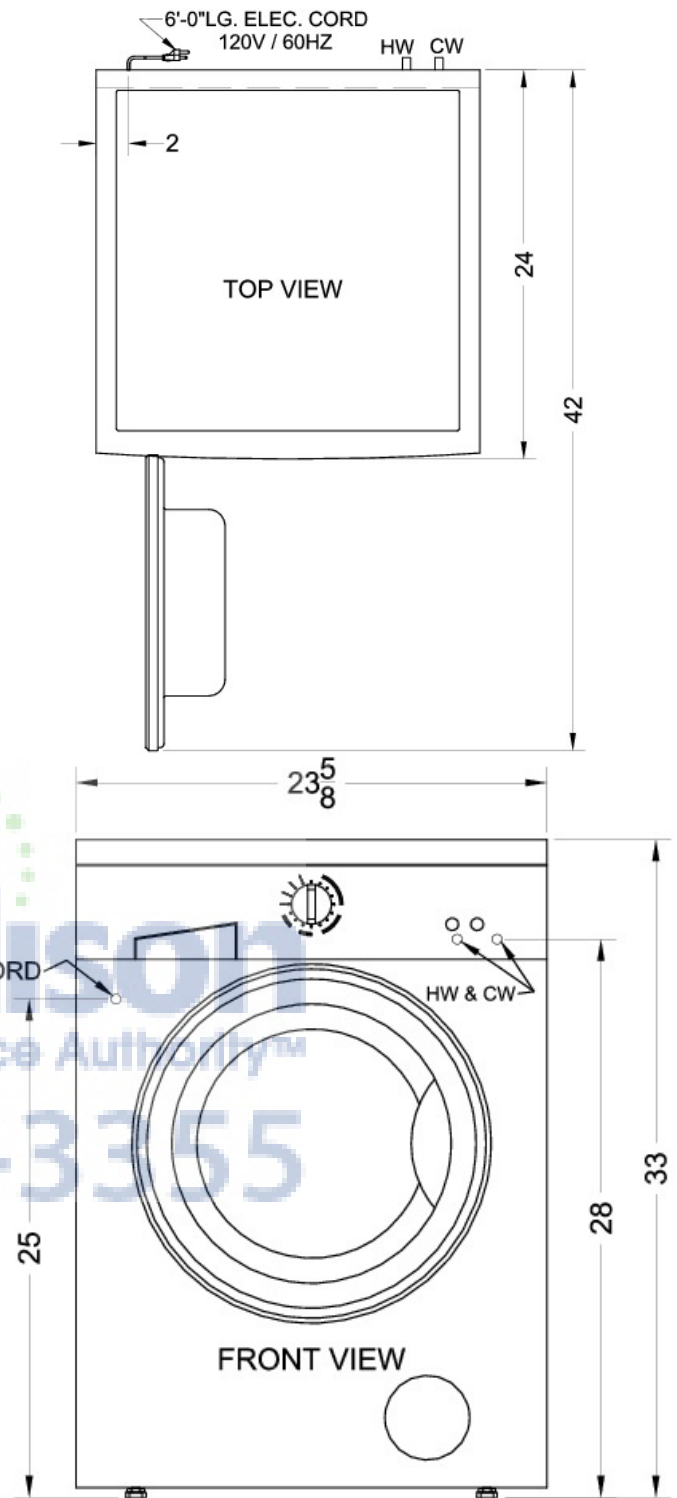



AjMadison
Your Appliance Authority™
800-570-3355

| | |
|---------------------------------|--|
| Front-loading | Convenient design requires less detergent and water than typical top-loading washers |
| Super Silent Operation | Low noise performance with reduced vibrations |
| Stainless steel tub | Specially designed with textured holes for perfect spinning effect and 3D rib to drop clothes directly into the center of the tub |
| UseLogic® Electronics | Designed with smart technology that monitors water levels and wash temperature with sensory capability |
| Slim undercounter dimensions | Less than 24 inches wide to fit tight spaces |
| Large door opening | 33cm diameter for easy loading |
| Adjustable water levels | Set the level you need for the proper wash without the waste |
| Multiple wash settings | Give your clothes the proper care with an assortment of settings for cottons, synthetics, wool, delicates, and hand wash; Dial timer |
| Multiple temperature settings | Adjust the temperature to the fabric style and make |
| Matchable to other SUMMIT units | Get a complete stackable or side-by-side laundry set by combining the SPW1103 with SUMMIT dryer SPDE1113 |

Specifications:

| | |
|----------------------------|----------------|
| Height | 33.5" |
| Width | 23.63" |
| Depth | 24.0" |
| Shipping Weight | 175.0 lbs. |
| Weight | 135.0 lbs. |
| Voltage/Frequency | 115 V AC/60 Hz |
| Canadian Electrical Safety | ULC |
| Energy Usage/Year | 154.0 kWh/year |
| US Electrical Safety | UL |
| Style | Front Loading |
| Control Type | Dial |
| Max Drum Spin Speed | 1000.0 |
| Parts/Labor Warranty | 1 Year |





 Aj Madison

 Your Appliance Authority™

 800-570-3355

Summit Appliance Division, Felix Storch, Inc.
 770 Garrison Ave • Bronx, NY 10474
 Phone: 718-893-3900 • Fax: 718-842-3093
 Email: info@summitappliance.com