



600 CFM FLEXIBLE BLOWER

ABOUT THIS MANUAL

Signal Words for Safety and Best Use

⚠ WARNING

This indicates that death or serious injuries may occur as a result of non-observance of this warning.

⚠ CAUTION

This indicates that minor or moderate injuries may occur as a result of non-observance of this warning.

NOTICE: This indicates that damage to the appliance or property may occur as a result of non-compliance with this advisory.

Note: This alerts you to important information and/or tips.

Pay special attention to the important safety instructions in the "Safety" section.

⚠ IMPORTANT SAFETY INSTRUCTIONS

READ AND SAVE THESE INSTRUCTIONS

General notes

Note: Examine the appliance after unpacking it. In the event of transport damage, do not plug it in.

Note: Do not remove any of the aluminum tape as it is needed for sealing air leaks.

WARNING

TO REDUCE THE RISK OF FIRE, ELECTRIC SHOCK, OR INJURY TO PERSONS, OBSERVE THE FOLLOWING:

- Use this unit only in the manner intended by the manufacturer. If you have questions, contact the manufacturer.
- Before servicing or cleaning unit, switch power off at service panel and lock the service disconnecting means to prevent power from being switched on accidentally
- When the service disconnecting means cannot be locked, securely fasten a prominent warning device, such as a tag, to the service panel.

FOR USE WITH THESE DOWNDRAFT MODELS

CAUTION

To reduce the risk of fire and electric shock, install this blower only with downdraft hood models shown below. Other downdraft hood models cannot be substituted. (Downdraft hoods sold separately).
Models HDD80050UC / HDD86050UC

WARNING

TO REDUCE THE RISK OF FIRE, ELECTRIC SHOCK, OR INJURY TO PERSONS, OBSERVE THE FOLLOWING:

- Installation work and electrical wiring must be done by qualified person(s) in accordance with all applicable codes and standards, including fire-rated construction.
- Sufficient air is needed for proper combustion and exhausting of gases through the flue (chimney) of fuel burning equipment to prevent back drafting. Follow the heating equipment manufacturer's guideline and safety standards such as those published by the National Fire Protection Association (NFPA), and the American Society for Heating, Refrigeration and Air Conditioning Engineers (ASHRAE), and the local code authorities.
- When cutting or drilling into wall or ceiling, do not damage electrical wiring and other hidden utilities.
- Ducted fans must always be vented to the outdoors.

⚠ IMPORTANT SAFETY INSTRUCTIONS

READ AND SAVE THESE INSTRUCTIONS

INSTALLER: LEAVE THESE INSTRUCTIONS WITH THE APPLIANCE AFTER INSTALLATION IS COMPLETE.

IMPORTANT: SAVE FOR THE LOCAL INSPECTOR'S USE.

WARNING

When properly cared for, your new appliance has been designed to be safe and reliable. Read all instructions carefully before use. These precautions will reduce the risk of burns, electric shock, fire, and injury to persons. When using kitchen appliances, basic safety precautions must be followed, including those in the following pages.

Proper Installation and Maintenance

WARNING

Remove all tape and packaging before using the appliance. Destroy the packaging after unpacking the appliance. Never allow children to play with packaging material.

INSTALLER: Show the owner the location of the circuit breaker or fuse. Mark it for easy reference.

This appliance must be properly installed and grounded by a qualified technician. Connect only to properly grounded outlet. Refer to Installation Instructions for details.

This appliance is intended for normal family household use only. It is not approved for outdoor use. See the Warranty in the Use and Care Guide. If you have any questions, contact the manufacturer.

Do not store or use corrosive chemicals, vapors, flammables or nonfood products in or near this appliance. It is specifically designed for use when heating or cooking food. The use of corrosive chemicals in heating or cleaning will damage the appliance and could result in injury.

Do not operate this appliance if it is not working properly, or if it has been damaged. Contact an authorized servicer.

Do not repair or replace any part of the appliance unless specifically recommended in this manual. Refer all servicing to a factory authorized service center.

CAUTION

Grease left on filters can melt and move into the vent.

WARNING

Hidden surfaces may have sharp edges. Use caution when reaching behind or under appliance.

WARNING

Tie long hair so that it does not hang loose, and do not wear loose fitting clothing or hanging garments, such as ties, scarves, jewelry or dangling sleeves.

WARNING

When the hood is operated in exhaust-air mode simultaneously with a different appliance which also makes use of the same chimney (such as gas, oil or coal-fired heaters, continuous-flow heaters, hot-water boilers) care must be taken to ensure that there is an adequate supply of fresh air which will be needed by the appliance for combustion.

This can be achieved if combustion air can flow through non-lockable openings, e.g. in doors, windows and via the air-intake/exhaust-air wall box or by other technical measures, such as reciprocal interlocking, etc.

WARNING

Avoid carbon monoxide poisoning – Provide adequate air intake so combustion gases are not drawn back into the room. An air-intake/exhaust-air wall box by itself is no guarantee that the limiting value will not be exceeded.

Note: When assessing the overall requirement, the combined ventilation system for the entire household must be taken into consideration. This rule does not apply to the use of cooking appliances, such as cooktops and ovens.

WARNING

To avoid electrical shock hazard, before installing, switch power off at the service panel and lock the panel to prevent the power from being switched on accidentally.

⚠ IMPORTANT SAFETY INSTRUCTIONS

READ AND SAVE THESE INSTRUCTIONS

Fire Safety

WARNING

Use this appliance only for its intended use as described in this manual.

Always have a working smoke detector near the kitchen. In the event that personal clothing or hair catches fire, drop and roll immediately to extinguish flames.

Have an appropriate fire extinguisher available, nearby, highly visible and easily accessible near the appliance.

Smother flames from food fires other than grease fires with baking soda. Never use water on cooking fires.

WARNING

TO REDUCE THE RISK OF INJURY TO PERSONS IN THE EVENT OF A RANGE TOP GREASE FIRE, OBSERVE THE FOLLOWING:^a

- a. **SMOTHER FLAMES** with a close-fitting lid, cookie sheet, or metal tray, then turn off the burner. **BE CAREFUL TO PREVENT BURNS.** If the flames do not go out immediately, **EVACUATE AND CALL THE FIRE DEPARTMENT.**
- b. **NEVER PICK UP A FLAMING PAN** – You may be burned.
- c. **DO NOT USE WATER**, including wet dishcloths or towels – a violent steam explosion will result.
- d. Use an extinguisher **ONLY** if:
 - You know you have a Class ABC extinguisher, and you already know how to operate it.
 - The fire is small and contained in the area where it started.
 - The fire department is being called.
 - You can fight the fire with your back to an exit.

^a Based on “Kitchen Fire Safety Tips” published by NFPA.

Whenever possible, do not operate the ventilation system during a cooktop fire. However, do not reach through fire to turn it off.

Seal the connection points of the ducts appropriately.

- Ductwork must vent outside, not in attic spaces for example, unless the available 'Non-duct Recirculation Kit' is used.

WARNING

RISK OF FIRE

When gas burners are in operation without any cookware placed on them, they can build up a lot of heat. A ventilation appliance installed above the cooker may become damaged or catch fire. Only operate the gas burners with cookware on them.

WARNING

RISK OF FIRE

Hot oil and fat catch fire fast. Never leave hot oil and fat unsupervised. Never extinguish a fire with water. Switch off the cooking position. Suffocate flames carefully with a lid, a fire blanket or similar.

WARNING

RISK OF FIRE

Grease deposits in the grease filter can ignite. Clean the grease filter at least every two months or as frequently as necessary. Never operate the appliance without the grease filter.

WARNING

RISK OF FIRE

Grease deposits in the grease filter can catch fire. Never work with a naked flame near the appliance (e.g. flambéing). Install the unit near a heat-producing appliance for solid fuels (e.g. wood or coal) only if there is a closed, non-detachable cover. There must be no flying sparks.

WARNING

RISK OF FIRE

Use only metal ductwork.

WARNING

RISK OF BURNS

The accessible parts get hot during operation. Never touch hot parts. Keep children away.

CAUTION

It is recommended to wear gloves and long sleeves to protect hands and forearms from abrasion and potential scratches during the installation process.

⚠ IMPORTANT SAFETY INSTRUCTIONS

READ AND SAVE THESE INSTRUCTIONS

Child Safety

When children become old enough to use the appliance, it is the responsibility of the parents or legal guardians to ensure that they are instructed in safe practices by qualified persons.

Do not allow anyone to climb, stand, lean, sit, or hang on any part of an appliance. This can damage the appliance or cause injury.

WARNING

Be sure the entire appliance (including the grease filters and light bulbs, if applicable) has cooled and grease has solidified before attempting to clean any part of the appliance.

Do not use steam cleaners to clean the appliance.

State of California Proposition 65 Warnings

WARNING

This product can expose you to chemicals including vinyl chloride, which is known to the State of California to cause cancer and birth defects or other reproductive harm. For more information go to www.P65Warnings.ca.gov

Protecting The Environment

Unpack the appliance and dispose of the packaging in line with environmental requirements.

NOTICE

Risk of damage due to corrosion. Always turn appliance on when cooking to avoid condensation buildup. Condensation can lead to corrosion damage.

Risk of damage due to ingress of humidity into the electronic circuitry. Never clean operator controls with a wet cloth.

Surface damage due to incorrect cleaning. Clean stainless steel surfaces in the grain direction only. Do not use any stainless steel cleaners for operator controls. Never use strong or abrasive cleaning agents, since they can cause surface damage.

Risk of damage from condensation back flow. Install exhaust vent at a slight downward slope away from the appliance (1° slope).

PARTS SUPPLIED

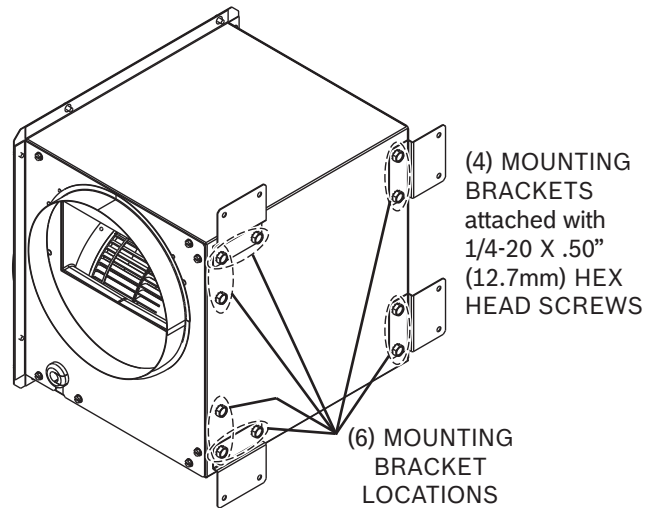
These parts are included with your Flexible Blower:

2 - blower mounting legs*

1 - Parts Bag containing:

- (4) wood screws #10 x .50" (12.7mm)*
- (4) blower mount brackets
- (1) strain relief bushing
- (8) screws #10 x .38" (9.7mm)
- (8) nuts #10

* For use when mounting Flexible Blower directly to Downdraft housing. (See Downdraft instruction manual.)



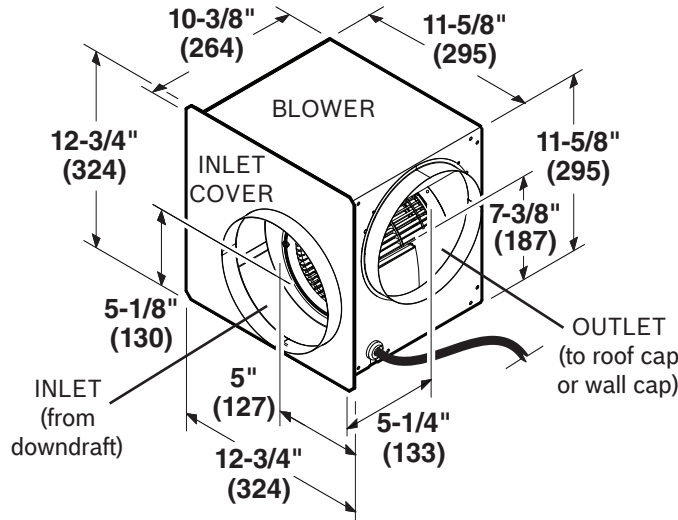
PLAN THE INSTALLATION

If you choose to mount the Flexible Blower directly to the Downdraft housing: Remove the inlet cover (taped in place for shipping) and discard inlet cover. Refer to installation instructions in the Downdraft manual.

If you choose to mount the Flexible Blower in an inline location, (such as the cabinet back, cabinet side, or floor joists) - follow the instructions below.

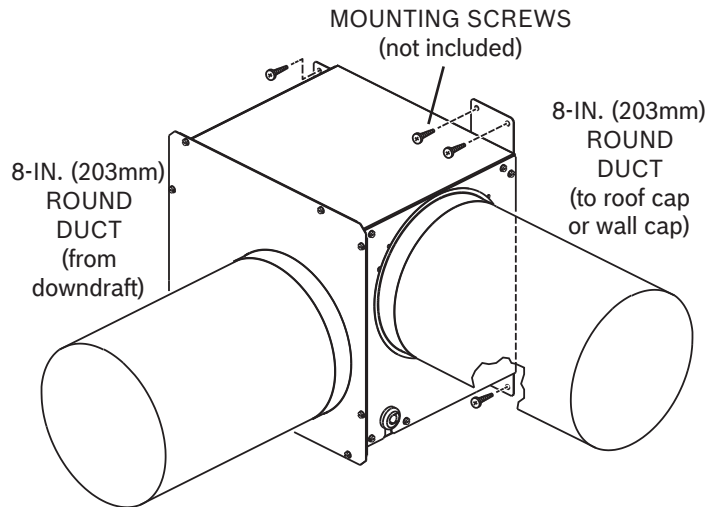
INSTALL FLEXIBLE BLOWER IN REMOTE LOCATION

NOTE: THE FLEXIBLE BLOWER MUST BE INSTALLED WITHIN 4-FEET (1219mm) OF THE DOWNDRAFT'S ELECTRICAL PANEL. The Electrical Panel can be mounted directly to the Downdraft housing - or mounted in a remote location (always within 4-feet of the Flexible Blower).



1. Position inlet cover over blower wheel. Securely attach the inlet cover to the blower with 8 screws and 8 nuts from parts bag. Note that inlet cover is taped to blower for shipping. This tape may be removed.
2. Determine how the 8" (203mm) round **INLET** and **OUTLET** ductwork will connect to the Flexible Blower. Refer to installation instructions in the Downdraft manual.

3. Remove the necessary 1/4-20 x .50" (12.7mm) hex head screws and attach **4 MOUNTING BRACKETS** to the Flexible Blower - using 4 of the **6 POSSIBLE BRACKET MOUNTING LOCATIONS**.



4. Mount Flexible Blower to back of cabinet, floor joist, or adequate framework (constructed by installer) with appropriate **MOUNTING SCREWS (not included)**.
5. Connect **8" (203mm) ROUND DUCT** from Downdraft housing to Flexible Blower inlet and from Flexible Blower outlet to roof or wall cap.

For best performance: Choose the ducting option which allows the shortest length of ductwork and a minimum number of elbows and transitions. Check location of floor joists, wall studs, electrical wiring or plumbing for possible interference.

6. Use strain relief bushing (provided) to attach Flexible Blower wiring to wiring box on Downdraft's electrical panel and make wiring connections. (See Downdraft manual for instructions.)

CUSTOMER SERVICE

Our customer service department is there for you if your appliance requires repair.

When calling, please give the Product Number and the Serial Number so that we can better assist you. The identification plate listing the numbers can be found inside of the appliance

(remove metal grease filter to find it).

So that you don't have to search for them when needed, you can enter your appliance information and the customer service number here.

Product No.	
Serial No.	

Customer Service No.	
----------------------	--

Please note that a visit from an authorized servicer in the event of incorrect operation is not free of charge, even during the warranty period.

To book a service visit and product advice in the US:
Call 800 944 2904 (toll-free).

STATEMENT OF LIMITED PRODUCT WARRANTY

What this Warranty Covers & Who it Applies to

The limited warranty provided by BSH Home Appliances Corporations (“BSH”) in this Statement of Limited Product Warranty applies only to the Bosch appliance (“Product”) sold to you, the first using purchaser, provided that the Product was purchased:

- For your normal, household (non-commercial) use, and has in fact at all times only been used for normal household purposes.
- New at retail (not a display, “as is”, or previously returned model), and not for resale, or commercial use.
- Within the United States or Canada, and has at all times remained within the country of original purchase.

The warranties stated herein apply only to the first purchaser of the Product and are not transferable.

BSH reserves the right to request proof of purchase at the time any warranty claim is submitted to confirm that the Product falls within the scope of this limited product warranty.

Please make sure to return your registration card; while not necessary to effectuate warranty coverage, it is the best way for BSH to notify you in the unlikely event of a safety notice or product recall.

How Long the Warranty Lasts

BSH warrants that the Product is free from defects in materials and workmanship for a period of three hundred sixty-five (365) days from the date of purchase. The foregoing timeline begins to run upon the date of purchase, and shall not be stalled, tolled, extended, or suspended, for any reason whatsoever.

This Product is also warranted to be free from cosmetic defects in material and workmanship (such as scratches of stainless steel, paint/porcelain blemishes, chip, dents, or other damage to the finish) of the Product, for a period of thirty (30) days from the date of purchase or closing date for new construction. This cosmetic warranty excludes slight color variations due to inherent differences in painted and porcelain parts, as well as differences caused by kitchen lighting, product location, or other similar factors. This cosmetic warranty specifically excludes any display, floor, “As Is”, or “B” stock appliances.

Repair/Replace as Your Exclusive Remedy

During this warranty period, BSH or one of its authorized service providers will repair your Product without charge to you (subject to certain limitations stated herein) if your Product proves to have been manufactured with a defect in materials or workmanship. If reasonable attempts to repair the Product have been made without success, then BSH will replace your Product (upgraded models may be available to you, in BSH’s sole discretion, for an additional charge). All removed parts and components shall become the property of BSH at its sole option. All replaced and/or repaired parts shall assume the identity of the original part for purposes of this warranty and this warranty shall not be extended with respect to such parts. BSH’s sole liability and responsibility hereunder is to repair manufacturer-defective Product only, using a BSH-authorized service provider during normal business hours. For safety and property damage concerns, BSH highly recommends that you do not attempt to repair the Product yourself, or use an un-authorized servicer; BSH will have no responsibility or liability for repairs or work performed by a non-authorized servicer. If you choose to have someone other than an authorized service provider work on your Product, THIS WARRANTY WILL AUTOMATICALLY BECOME NULL AND VOID. Authorized service providers are those persons or companies that have been specially trained on BSH products, and who possess, in BSH’s opinion, a superior reputation for customer service and technical ability (note that they are independent entities and are not agents, partners, affiliates or representatives of BSH). Notwithstanding the foregoing, BSH will not incur any liability, or have responsibility, for the Product if it is located in a remote area (more than 100 miles from an authorized service provider) or is reasonably inaccessible, hazardous, threatening, or treacherous locale, surroundings, or environment; in any such event, if you request, BSH would still pay for labor and parts and ship the parts to the nearest authorized service provider, but you would still be fully liable and responsible for any travel time or other special charges by the service company, assuming they agree to make the service call.

Refer to installation instructions in the Downdraft manual.



9001379911
99045537D

1901 Main Street, Suite 600 • Irvine, CA 92614 • 800-944-2904
www.bosch-home.com • © 2018 BSH Home Appliances



VENTILATEUR FLEXIBLE DE 600 pi³/min

À PROPOS DE CE MANUEL

Mots indicateurs pour la sécurité et une meilleure utilisation

▲ AVERTISSEMENT

Ceci indique que le non-respect de cet avertissement peut causer des blessures graves ou la mort.

▲ ATTENTION

Ceci indique que le non-respect de cet avertissement peut causer des blessures légères ou modérées.

AVIS : Ceci indique que le non-respect de cet avertissement peut entraîner des dommages à l'appareil.

Remarque : Ceci vous avertit de renseignements ou conseils importants.

Accordez une attention particulière aux importantes consignes de sécurité dans la section « Sécurité ».

▲ CONSIGNES DE SÉCURITÉ IMPORTANTES LISEZ CES DIRECTIVES ET CONSERVEZ-LES

Généralités

Remarque : Inspectez l'appareil après l'avoir déballé. S'il a été endommagé durant le transport, ne le branchez pas.

Remarque : Ne retirez aucune partie du ruban aluminium car il sera indispensable pour colmater les fuites d'air.

AVERTISSEMENT

OBSERVEZ LES DIRECTIVES CI-DESSOUS AFIN DE RÉDUIRE LES RISQUES D'INCENDIE, DE CHOC ÉLECTRIQUE OU DE BLESSURES CORPORELLES :

- N'utilisez cet appareil que de la manière prévue par le fabricant. Si vous avez des questions, communiquez avec le fabricant.
- Avant de procéder à l'entretien ou au nettoyage de l'appareil, coupez l'alimentation du panneau électrique et verrouillez l'interrupteur principal afin d'empêcher que le courant ne soit accidentellement rétabli.
- S'il est impossible de verrouiller l'interrupteur principal, fixez solidement un message d'avertissement, par exemple une étiquette, sur le panneau électrique.

POUR UTILISATION AVEC LES MODÈLES À TIRAGE DESCENDANT SUIVANTS

ATTENTION

Pour réduire les risques d'incendie et de choc électrique, n'installez cette hotte à tirage descendant qu'avec les modèles de ventilateurs à tirage descendant ci-dessous. D'autres modèles de ventilateurs encastrés ne peuvent pas leur être substitués. (Ventilateurs à tirage descendant vendus séparément).

Modèles HDD80050UC, HDD86050UC

AVERTISSEMENT

OBSERVEZ LES DIRECTIVES CI-DESSOUS AFIN DE RÉDUIRE LES RISQUES D'INCENDIE, DE CHOC ÉLECTRIQUE OU DE BLESSURES CORPORELLES :

- La pose de l'appareil et les travaux d'électricité doivent être effectués par des personnes qualifiées en respectant la réglementation en vigueur, notamment les codes et les normes de la construction ayant trait à la résistance au feu.
- Pour éviter les refoulements, l'apport d'air doit être suffisant pour brûler les gaz produits par les appareils à combustion et les évacuer dans le conduit de fumée (cheminée). Respectez les directives du fabricant de l'appareil de chauffage et les normes de sécurité, notamment celles publiées par la National Fire Protection Association (NFPA), l'American Society for Heating, Refrigeration and Air Conditioning Engineers (ASHRAE) et les codes des autorités locales.
- Veillez à ne pas endommager le câblage électrique ou d'autres équipements non apparents lors de la découpe ou du perçage du mur ou du plafond.
- Les ventilateurs canalisés doivent toujours rejeter l'air à l'extérieur.

⚠ CONSIGNES DE SÉCURITÉ IMPORTANTES

LISEZ CES DIRECTIVES ET CONSERVEZ-LES

INSTALLATEUR : LAISSEZ CES INSTRUCTIONS AVEC L'APPAREIL UNE FOIS L'INSTALLATION TERMINÉE.

IMPORTANT : À CONSERVER POUR L'USAGE DE L'INSPECTEUR LOCAL.

AVERTISSEMENT

Lorsqu'il est bien entretenu, votre nouvel appareil est conçu pour être sécuritaire et fiable. Lisez attentivement ces instructions avant d'utiliser l'appareil. Ces précautions réduiront les risques de brûlures, de chocs électriques, d'incendie et de blessures. Lorsque vous utilisez des appareils électroménagers, il est indispensable de suivre des précautions de sécurité de base, notamment celles indiquées dans les pages suivantes.

Installation adéquate et entretien

AVERTISSEMENT

Enlevez tous les rubans adhésifs et l'emballage avant d'utiliser l'appareil. Détruisez l'emballage une fois l'appareil déballé. Ne laissez jamais les enfants jouer avec le matériel d'emballage.

INSTALLATEUR : Indiquez au propriétaire l'emplacement du disjoncteur ou du fusible. Marquez-le pour le repérer facilement.

Faites appel à un technicien qualifié pour installer correctement l'appareil et effectuer la mise à la terre. Branchez-le uniquement à une prise correctement mise à la terre. Consultez les instructions d'installation pour obtenir plus de détails.

Cet appareil est prévu pour une utilisation normale dans un foyer uniquement. Il n'est pas homologué pour une utilisation à l'extérieur. Consultez l'avis de Garantie Limitée du produit dans le Guide d'utilisation et d'entretien. Si vous avez des questions, communiquez avec le fabricant.

N'utilisez et ne rangez pas des produits chimiques corrosifs, des produits émettant des vapeurs, des produits inflammables ou des produits non alimentaires dans ou à proximité de l'appareil. Il est spécialement conçu pour être utilisé durant le réchauffage ou la cuisson d'aliments. L'utilisation de produits chimiques corrosifs lors du chauffage ou du nettoyage détériore l'appareil et peut causer des blessures.

N'utilisez pas cet appareil s'il est défectueux ou endommagé. Communiquez avec un centre de réparation agréé.

Ne réparez ou ne remplacez aucune pièce de l'appareil à moins que ce manuel ne le recommande spécifiquement. Confiez l'entretien à un centre de réparation agréé par l'usine.

ATTENTION

Les graisses résiduelles sur les filtres peuvent fondre et passer dans le conduit.

AVERTISSEMENT

Les surfaces masquées peuvent comporter des arêtes tranchantes. Soyez prudent lorsque vous travaillez sur l'arrière ou le dessous de l'appareil.

AVERTISSEMENT

Attachez les cheveux longs afin qu'ils ne pendent pas, et ne portez pas de vêtements amples ou de vêtements suspendus, tels que des cravates, des foulards, des bijoux ou des manches qui pendent.

AVERTISSEMENT

Lorsque la hotte est utilisée en mode d'évacuation d'air simultanément avec un autre appareil qui utilise la même cheminée (par exemple des brûleurs au gaz, au pétrole ou au charbon, des brûleurs à flux continu ou des chaudières), il est important de vous assurer d'une alimentation adéquate en air frais pour l'appareil à combustion.

C'est le cas si l'air de combustion peut circuler par des ouvertures non verrouillables, par exemple dans les portes, les fenêtres ou à travers une boîte murale d'admission ou d'évacuation d'air ou par d'autres moyens techniques, par exemple un verrouillage réciproque, etc.

AVERTISSEMENT

Évitez une intoxication au monoxyde de carbone. Fournissez une entrée d'air adéquate afin que les gaz de combustion ne puissent revenir dans la pièce.

Un boîtier mural d'admission ou d'évacuation d'air ne garantit pas en soi que la valeur limite ne sera pas dépassée.

Remarque : Lors de l'évaluation de l'ensemble des exigences, il est important de considérer tout le système de ventilation de la maison. Cette règle ne s'applique pas à l'utilisation d'appareils de cuisine, par exemple des surfaces de cuisson ou des fours.

AVERTISSEMENT

Pour éviter les risques de chocs électriques, avant l'installation, coupez le courant et verrouillez le panneau électrique afin d'éviter que le courant soit rétabli accidentellement.

⚠️ CONSIGNES DE SÉCURITÉ IMPORTANTES

LISEZ CES DIRECTIVES ET CONSERVEZ-LES

Sécurité incendie

AVERTISSEMENT

Utilisez cet appareil uniquement aux fins auxquelles il a été conçu, tel qu'indiqué dans ce manuel.

Ayez toujours un détecteur de fumée fonctionnel près de la cuisine. Si vos vêtements ou vos cheveux prennent feu, roulez-vous par terre immédiatement pour éteindre les flammes.

Assurez-vous d'avoir à portée de main un extincteur, bien visible et facilement accessible près de l'appareil.

Étouffez les flammes des incendies d'aliments autres que des feux de graisse avec du bicarbonate de sodium. N'utilisez jamais de l'eau sur un feu de cuisine.

AVERTISSEMENT

OBSERVEZ LES CONSIGNES SUIVANTES DE MANIÈRE À RÉDUIRE LES RISQUES DE BLESSURES CORPORELLES EN CAS D'INCENDIE CAUSÉ PAR DE LA GRAISSE SUR LA SURFACE DE CUISSON :^a

- a. ÉTOUFFEZ LES FLAMMES à l'aide d'un couvercle étanche, d'une tôle à biscuits ou d'un plateau en métal puis éteignez le brûleur. FAITES ATTENTION DE NE PAS VOUS BRÛLER. Si les flammes ne s'éteignent pas immédiatement, QUITTEZ LES LIEUX ET APPELEZ LE SERVICE DES INCENDIES.
- b. NE SOULEVEZ JAMAIS UNE CASSEROLE EN FLAMMES – vous pourriez vous brûler.
- c. N'UTILISEZ PAS D'EAU, ni de serviettes ou de linges mouillés – une violente explosion de vapeur pourrait survenir.
- d. Utilisez un extincteur SEULEMENT si :
 - Vous savez qu'il est de classe ABC et vous connaissez déjà son mode de fonctionnement.
 - L'incendie n'est pas très important et ne se propage pas.
 - Vous avez déjà téléphoné au service des incendies.
 - Vous pouvez combattre l'incendie en faisant dos à une sortie.

^a Conseils tirés de la publication de la NFPA « Kitchen Fire Safety Tips ».

Dans la mesure du possible, n'utilisez pas le système de ventilation en cas de feu sur la surface de cuisson. Cependant, ne traversez pas le feu pour l'éteindre.

Scellez les points de raccordement des conduits de manière appropriée.

- Les conduits doivent s'évacuer à l'extérieur, et non dans des greniers par exemple, excepté si l'ensemble de recirculation sans conduit est utilisé.

AVERTISSEMENT

RISQUE D'INCENDIE

Lorsque les brûleurs à gaz sont actionnés sans aucun ustensile de cuisine placé dessus, ils peuvent produire une chaleur intense. Un appareil de ventilation installé au-dessus de la cuisinière peut être endommagé ou prendre feu. N'utilisez les brûleurs que lorsque des ustensiles de cuisine sont placés dessus.

AVERTISSEMENT

RISQUE D'INCENDIE

L'huile et la graisse chaudes prennent feu rapidement. Ne laissez jamais de l'huile et de la graisse chaudes sans surveillance. N'éteignez jamais un feu avec de l'eau. Éteignez l'élément de cuisson. Étouffez prudemment les flammes à l'aide d'un couvercle, d'une couverture antifeu ou d'un accessoire similaire.

AVERTISSEMENT

RISQUE D'INCENDIE

Les dépôts de graisse dans le filtre à graisses peuvent prendre feu.

Nettoyez le filtre à graisses au moins tous les deux mois, ou aussi souvent que nécessaire.

N'utilisez jamais l'appareil sans filtre à graisses.

AVERTISSEMENT

RISQUE D'INCENDIE

Les dépôts de graisse dans le filtre à graisses peuvent s'enflammer. Ne travaillez jamais avec des flammes nues près de l'appareil (par ex. pour des flambées). N'installez l'unité près d'un appareil qui produit de la chaleur avec des combustibles solides (par ex. du bois ou charbon) qu'en présence d'un couvercle fermé et fixe. Il ne doit pas y avoir production d'étincelles.

AVERTISSEMENT

RISQUE D'INCENDIE

N'utilisez que des conduits métalliques.

AVERTISSEMENT

RISQUE DE BRÛLURES

Les pièces accessibles chauffent en cours d'utilisation.

Ne touchez jamais les pièces chaudes. Éloignez les enfants.

ATTENTION

Il est recommandé de porter des gants et des manches longues pour protéger les mains et les avant-bras des éraflures et d'éventuelles égratignures lors de l'installation.

⚠️ CONSIGNES DE SÉCURITÉ IMPORTANTES

LISEZ CES DIRECTIVES ET CONSERVEZ-LES

Sécurité de l'enfant

Lorsque des enfants sont en âge d'utiliser l'appareil, il incombe aux parents ou aux tuteurs légaux de veiller à ce que des personnes qualifiées leur enseignent les pratiques sécuritaires.

Ne laissez personne monter, se tenir debout, s'allonger, s'asseoir sur l'appareil ou se pendre à une pièce de l'appareil. Cela peut endommager l'appareil ou causer des blessures.

AVERTISSEMENT

Assurez-vous que l'ensemble de l'appareil (notamment les filtres à graisses et les ampoules, le cas échéant) est refroidi et que la graisse est solidifiée avant de nettoyer les pièces de l'appareil.

N'utilisez pas de nettoyeurs à vapeur pour nettoyer l'appareil.

Avertissements relatifs à la proposition 65 de l'État de Californie

AVERTISSEMENT

Ce produit contient des produits chimiques, notamment du chlorure de vinyle, répertoriés par l'État de Californie comme pouvant causer le cancer, des malformations congénitales ou d'autres anomalies de la reproduction. Pour plus de détails, consultez le site www.P65Warnings.ca.gov

Protection de l'environnement

Déballer l'appareil et mettre l'emballage au rebut conformément aux exigences environnementales.

REMARQUE

Risque de dommages dus à la corrosion. Mettez toujours l'appareil en marche lorsque vous cuisinez pour éviter l'accumulation de condensation. La condensation peut entraîner des dommages liés à la corrosion.

Risque de dommages en cas d'introduction d'humidité dans le circuit électronique. Ne nettoyez jamais le panneau de commande avec un chiffon humide.

Dommages à la surface en cas de nettoyage non adapté. Nettoyez les surfaces en acier inoxydable dans le sens du grain uniquement. N'utilisez pas de nettoyeurs pour l'acier inoxydable sur le panneau de commande. N'utilisez jamais de nettoyeurs forts ou abrasifs, au risque d'endommager la surface.

Risque de dommages causés par un refoulement de la condensation. Installez le conduit de sortie de manière à ce qu'il soit légèrement incliné par rapport à l'appareil (inclinaison de 1°).

PIÈCES FOURNIES

Ces pièces sont incluses avec le ventilateur flexible :

2 - Pieds de montage de ventilateur*

1 - Sac de pièces contenant :

- (4) Vis à bois n°10 x 12,7 mm (0,50 po)*
- (4) Brides de montage de ventilateur
- (1) Bague antitraction
- (8) Vis, n° 10 x 9,7 mm (0,38 po)
- (8) Écrous, n° 10

* À utiliser pour fixer le ventilateur flexible directement sur le boîtier de la hotte. (Consulter le manuel d'instruction de la hotte.)

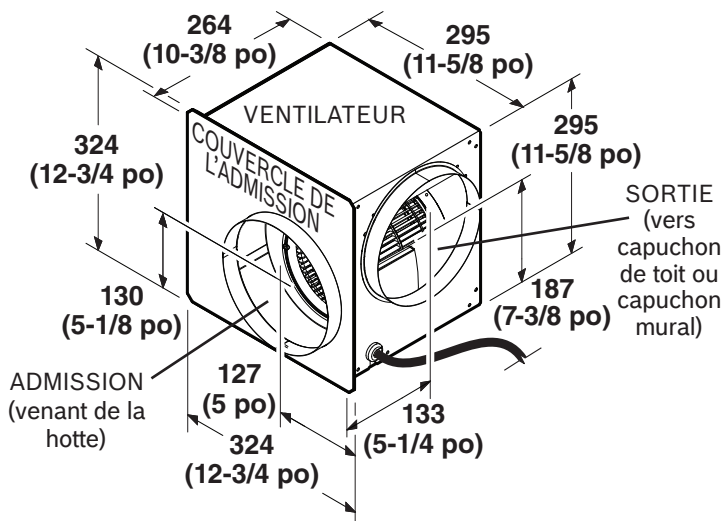
PLANIFICATION DE L'INSTALLATION

Si vous choisissez de monter le ventilateur flexible directement sur le boîtier de la hotte : Retirez le couvercle de l'admission (maintenu pour l'expédition par un ruban adhésif) et jetez-le. Consultez les instructions d'installation dans le manuel de la hotte.

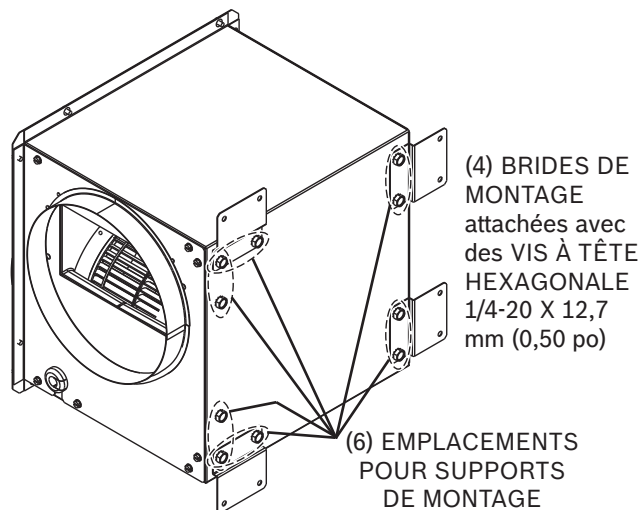
Si vous choisissez de monter le ventilateur flexible en ligne, (comme au dos ou au côté de l'armoire, ou sur les solives) - suivez les instructions ci-dessous.

INSTALLATION DU VENTILATEUR FLEXIBLE À DISTANCE

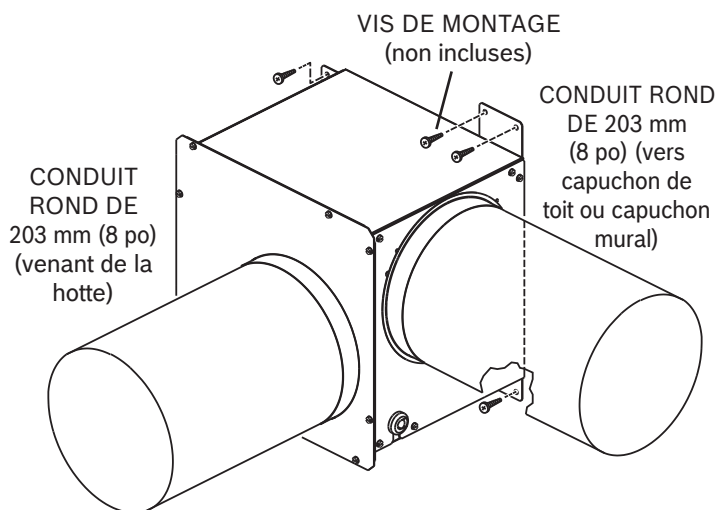
REMARQUE : LE VENTILATEUR FLEXIBLE DOIT ÊTRE INSTALLÉ À MOINS DE 1219 mm (4 PIEDS) DU PANNEAU ÉLECTRIQUE DE LA HOTTE. Le panneau électrique peut être fixé directement sur le boîtier de la hotte - ou à distance (à moins de 1219mm (4 pieds) du ventilateur flexible).



1. Positionnez le couvercle d'admission au-dessus de la pale de ventilateur. Fixez solidement le couvercle d'admission sur le ventilateur à l'aide de 8 vis et 8 écrous du sac de pièces. Notez que le couvercle est maintenu par du ruban adhésif sur le ventilateur pour l'expédition. Ce ruban peut être enlevé.
2. Déterminez comment les conduits ronds de 203 mm (8 po) D'ENTRÉE et de SORTIE seront raccordés au ventilateur Flexible. Consultez les instructions d'installation dans le manuel de la hotte à tirage descendant.



3. Retirez les vis hexagonales de 1/4-20 x 12,7 mm (0,50 po) et fixez **4 SUPPORTS DE MONTAGE** sur le ventilateur flexible - en utilisant 4 des **6 EMBLEMES DE SUPPORTS DE MONTAGE POSSIBLES**.



4. Montez le ventilateur flexible sur l'arrière de l'armoire, une solive de plancher, ou une structure adéquate (construite par l'installateur) avec des **VIS DE MONTAGE** appropriées (**non incluses**).
5. Raccordez le **CONDUIT ROND DE 203 mm (8 po)** du boîtier de la hotte à l'entrée du ventilateur flexible et de la sortie du ventilateur flexible au capuchon de toit ou de mur.

Pour assurer un rendement optimal : Choisissez l'option qui permet l'utilisation des conduits les plus courts possible et un nombre minimum de coudes et de transitions. Vérifiez l'emplacement des solives du plancher, des montants des murs, des fils électriques et de la plomberie pour éviter les nuisances éventuelles.

6. Utilisez la bague antitraction (fournie) pour fixer le câblage du ventilateur au boîtier de câblage sur le panneau électrique de la hotte et effectuez les connexions de câblage. (Consultez le manuel d'instruction de la hotte à tirage descendant.)

SERVICE À LA CLIENTÈLE

Notre service à la clientèle se tient à votre disposition si votre appareil nécessite une réparation.

Lorsque vous appelez, veuillez fournir votre numéro de référence et le numéro de série pour nous permettre de mieux vous aider. La plaque d'identification comportant les numéros se trouve à l'intérieur de l'appareil (retirez le filtre à graisses métallique pour la trouver).

Afin de vous éviter de chercher ces renseignements lorsque vous en avez besoin, vous pouvez inscrire les données de l'appareil et le numéro du service à la clientèle ici.

N° du produit	
N° de série	

N° du service à la clientèle	
------------------------------	--

Veuillez noter qu'une visite d'un technicien agréé en cas de défaut de fonctionnement ne peut se faire gratuitement, même durant la période de garantie.

Pour demander la visite d'un technicien et demander conseil sur le produit aux États-Unis :

Appelez le 800 944 2904 (Sans frais)

AVIS DE GARANTIE LIMITÉE DU PRODUIT

Ce que couvre cette garantie et à qui elle s'applique

La garantie limitée fournie par BSH Home Appliances Corporation (« BSH ») dans la présente déclaration de garantie limitée du produit ne s'applique qu'à l'appareil Bosch (le « Produit ») qui vous est vendu, en tant qu'acheteur utilisateur initial, à condition que le produit ait été acheté :

- pour votre usage domestique (non commercial) normal, et qu'il ait effectivement toujours été employé à des fins domestiques normales;
- neuf au détail (pas un modèle exposé, « tel quel », ou précédemment retourné), et non pour une revente, ou un usage commercial;
- aux États-Unis ou au Canada, et est toujours resté dans le pays d'achat d'origine.

Les garanties définies dans ce document s'appliquent uniquement au premier acheteur du produit et ne sont pas cessibles.

BSH se réserve le droit de demander une preuve de l'achat au moment où une demande de garantie est soumise pour confirmer que le produit entre dans le champ de cette garantie limitée du produit.

Veillez à renvoyer votre carte d'enregistrement; bien qu'elle ne soit pas nécessaire pour activer la couverture de garantie, elle est le meilleur moyen pour BSH de vous aviser dans le cas improbable d'un avis sur la sécurité ou d'un rappel de produit.

Durée de la garantie

BSH garantit que le produit ne présente aucune défectuosité résultant d'un vice de matériau et de fabrication pour une période de trois cent soixante cinq (365) jours à compter de la date d'achat. Le délai qui précède commence à courir à compter de la date d'achat, et ne doit pas être interrompu, étendu ou suspendu pour quelque raison que ce soit.

Ce produit est également garanti contre tout défaut cosmétique de matériau et de fabrication (par exemple, égratignure de l'acier inoxydable, imperfection de peinture/porcelaine, ébréchure, bosselure ou autre dommage subi par le fini) du Produit, pendant une période de trente (30) jours à compter de la date d'achat ou de la date de clôture d'une nouvelle construction. Cette garantie cosmétique ne prend pas en charge les variations de couleur dues aux différences inhérentes aux pièces peintes ou en porcelaine, ainsi que les différences causées par l'éclairage de la cuisine, l'emplacement du produit ou autre facteur similaire. Cette garantie cosmétique exclut spécifiquement les présentoirs, les planchers, l'état « tel quel » ou les appareils de type « B ».

Votre seul recours est une réparation ou un remplacement

Durant cette période de garantie, BSH ou un de ses réparateurs agréés réparera votre produit gratuitement (sous réserve de certaines limitations définies dans les présentes) s'il est prouvé que le produit a été fabriqué avec un défaut de matériau ou de fabrication. Si des tentatives raisonnables de réparation du Produit ont eu lieu mais s'avèrent infructueuses, BSH remplacera le produit (des modèles améliorés pourront être disponibles, à la seule discrétion de BSH; moyennant une majoration). Les pièces et les composants retirés deviennent la propriété de BSH à sa seule discrétion. Toutes les pièces remplacées et/ou réparées doivent assumer l'identité de la pièce originale aux fins de la présente garantie et la présente garantie ne doit pas être étendue à ces pièces. La seule responsabilité de BSH consiste à réparer le produit défectueux, en ayant recours à un réparateur agréé par BSH durant les heures de bureau normales. Pour des raisons de sécurité ou portant sur les dommages matériels, BSH vous recommande vivement de ne pas tenter de réparer le produit vous-même, ou d'avoir recours à un réparateur non agréé; BSH décline toute responsabilité pour des réparations ou des travaux effectués par un réparateur non agréé. Si vous vous adressez à une autre personne qu'un réparateur agréé pour travailler sur votre produit, LA PRÉSENTE GARANTIE DEVIENDRA AUTOMATIQUEMENT NULLE ET NON AVENUE. Les réparateurs agréés sont les personnes ou les entreprises ayant été spécialement formées sur les produits BSH, et qui possèdent, selon BSH, une solide réputation en matière de service à la clientèle et d'aptitude technique (notez que ce sont des entités indépendantes et non des agents, des partenaires, des filiales ou des représentants de BSH). Toutefois, BSH n'encourra aucune responsabilité pour le produit s'il se trouve dans une région éloignée (à plus de 160 km / 100 milles d'un réparateur agréé) ou est raisonnablement inaccessible, dangereux, risqué, ou dans un environnement, un milieu ou un endroit dangereux; dans un tel cas, si vous le demandez, BSH continuera de payer pour la main-d'œuvre et les pièces et d'expédier les pièces au réparateur agréé le plus proche, mais vous serez toujours entièrement responsable de la durée du trajet ou des autres charges spéciales assumées par la société de services, en supposant qu'elle accepte d'effectuer l'appel de service. Consultez les instructions d'installation dans le manuel de la hotte.



9001379911
99045537D

1901 Main Street, Suite 600 • Irvine, CA 92614
États-Unis • 800-944-2904
www.bosch-home.com • © 2018 BSH Home Appliances



VENTILADOR FLEXIBLE DE 600 pcm

ACERCA DE ESTE MANUAL

Palabras de señal para seguridad y mejor uso

ADVERTENCIA

- ⚠ Esto indica que podría producirse la muerte o lesiones graves como resultado de no hacer caso de esta advertencia.

PRECAUCIÓN

- ⚠ Esto indica que podrían producirse lesiones leves o moderadas como resultado de no hacer caso de esta advertencia.

AVISO: Esto indica que podrían producirse daños al electrodoméstico o a la propiedad como resultado de no hacer caso de este aviso.

Nota: Esto le alerta ante información o consejos importantes.

Ponga atención especial a las instrucciones importantes en la sección "Seguridad".

⚠ INSTRUCCIONES IMPORTANTES DE SEGURIDAD LEA Y CONSERVE ESTAS INSTRUCCIONES

Notas generales

Nota: Examine el electrodoméstico antes de desempacarlo. En caso de daños durante el transporte, no lo conecte.

Nota: No retire nada de la cinta de aluminio, ya que se necesita para sellar las fugas de aire.

ADVERTENCIA

PARA REDUCIR EL RIESGO DE INCENDIOS, DESCARGAS ELÉCTRICAS O LESIONES PERSONALES, SIGA LAS SIGUIENTES PRECAUCIONES:

- Use la unidad solo de la manera indicada por el fabricante. Si tiene preguntas, comuníquese con el fabricante.
- Antes de dar servicio a la unidad o de limpiarla, interrumpa el suministro eléctrico en el panel de servicio y bloquee los medios de desconexión del servicio para evitar que la electricidad se reanude accidentalmente.
- Cuando no sea posible bloquear los medios de desconexión del servicio, fije firmemente una señal de advertencia (como una etiqueta) en un lugar visible del panel de servicio.

PARA USARSE CON ESTOS VENTILADORES DE TIRO DESCENDENTE

PRECAUCIÓN

Para reducir el riesgo de incendio y descarga eléctrica, instale este ventilador únicamente con los modelos de ventilador de tiro descendente que se muestran a continuación. No se pueden utilizar otros modelos de ventiladores de tiro descendente. (Los ventiladores de tiro descendente se venden por separado).

Modelos HDD80050UC / HDD86050UC

ADVERTENCIA

PARA REDUCIR EL RIESGO DE INCENDIOS, DESCARGAS ELÉCTRICAS O LESIONES PERSONALES OBSERVE LAS SIGUIENTES PRECAUCIONES:

- Una o más personas calificadas deben realizar el trabajo de instalación y el cableado eléctrico siguiendo todos los códigos y normas correspondientes, incluso los códigos y normas de construcción específicos para incendios.
- Con el fin de evitar la contracorriente se necesita suficiente aire para que se lleve a cabo una combustión adecuada y la extracción de los gases a través del tubo de humos (chimenea) del equipo quemador de combustible. Siga las directrices y las normas de seguridad del fabricante del equipo de calefacción, como las publicadas por la Asociación Nacional de Protección contra Incendios (National Fire Protection Association, NFPA), la Sociedad Americana de Ingenieros de Calefacción, Refrigeración y Aire Acondicionado (American Society for Heating, Refrigeration and Air Conditioning Engineers, ASHRAE) y las autoridades de los códigos locales.
- Al cortar o perforar a través de la pared o del cielo raso, tenga cuidado de no dañar el cableado eléctrico ni otros servicios ocultos.
- Los ventiladores con conductos siempre deben ventearse hacia el exterior.

⚠ INSTRUCCIONES IMPORTANTES DE SEGURIDAD

LEA Y CONSERVE ESTAS INSTRUCCIONES

INSTALADOR: DEJE ESTAS INSTRUCCIONES CON EL ELECTRODOMÉSTICO DESPUÉS DE TERMINAR CON LA INSTALACIÓN.

IMPORTANTE: GUARDE PARA EL USO DEL INSPECTOR LOCAL.

ADVERTENCIA

Su nuevo electrodoméstico ha sido diseñado para ser seguro y confiable cuando es bien cuidado. Lea detenidamente todas las instrucciones antes de usarlo. Estas precauciones reducirán el riesgo de quemaduras, descarga eléctrica, incendio y lesiones a personas. Al usar electrodomésticos de cocina, deben seguirse las precauciones básicas de seguridad, incluyendo las de las páginas siguientes.

Instalación y mantenimiento adecuados

ADVERTENCIA

Retire toda la cinta y el empaque antes de usar el electrodoméstico. Destruya el empaque después de desempacar el electrodoméstico. Nunca permita que los niños jueguen con el material de empaque.

INSTALADOR: Muestre al propietario la ubicación del disyuntor o fusible. Márquelo para que sea una referencia fácil.

Un técnico calificado debe instalar y conectar a tierra este electrodoméstico. Conecte solo a un tomacorriente con la conexión adecuada a tierra. Consulte los detalles en las instrucciones de instalación.

Este electrodoméstico ha sido diseñado solo para uso doméstico familiar normal. No está aprobado para usarse en exteriores. Vea la garantía en la guía de uso y cuidado. Si tiene preguntas, comuníquese con el fabricante.

No guarde ni use productos químicos corrosivos, vapores, o productos inflamables o que no sean alimentos en o cerca de este electrodoméstico. Está diseñado específicamente para usarlo al calentar o cocinar alimentos. El uso de productos químicos corrosivos al calentar o limpiar dañará el electrodoméstico y podría ocasionar lesiones.

No opere este electrodoméstico si no funciona adecuadamente o si se ha dañado. Comuníquese con un proveedor de servicio autorizado.

No repare ni reemplace ninguna pieza del electrodoméstico a menos que así se recomiende específicamente en este manual. Refiera todo el servicio a un centro de servicio autorizado de fábrica.

PRECAUCIÓN

La grasa que queda sobre los filtros se puede derretir y moverse hacia el ventilador.

ADVERTENCIA

Las superficies ocultas pueden tener bordes afilados. Tenga cuidado al meter la mano detrás o debajo del electrodoméstico.

ADVERTENCIA

Ate el pelo largo para que no se suelte, y no use ropa suelta o prendas colgantes, como corbatas, bufandas, joyas o mangas colgantes.

ADVERTENCIA

Cuando la campana se opera en modo de extracción de aire al mismo tiempo que otro electrodoméstico que usa la misma chimenea (como calentadores de gas, aceite o carbón, calentadores de flujo continuo, calentadores de agua), debe tener cuidado de asegurar que haya un suministro adecuado de aire fresco, que será necesario para la combustión en el electrodoméstico.

Esto se puede lograr si el aire de la combustión puede fluir a través de aberturas que no se cierren con seguro, es decir, puertas, ventanas y por medio de la caja en la pared de admisión/escape de aire, o por otros medios técnicos, como entrecierre recíproco, etc.

ADVERTENCIA

Evite el envenenamiento por monóxido de carbono: suministre el aire de admisión adecuado de tal manera que los gases de combustión no se devuelvan a la habitación.

Una caja de pared para admisión/escape de aire por sí misma no es garantía de que no se superará el valor de limitación.

Nota: Cuando evalúe el requisito general, se debe tomar en cuenta el sistema de ventilación combinado para toda la vivienda. Esta regla no se aplica al uso de electrodomésticos para cocinar, como estufas y hornos.

ADVERTENCIA

Antes de instalar, y para evitar un riesgo de descarga eléctrica, interrumpa el suministro eléctrico en el panel de servicio y bloquee el panel para evitar que se active accidentalmente la electricidad.

⚠ INSTRUCCIONES IMPORTANTES DE SEGURIDAD

LEA Y CONSERVE ESTAS INSTRUCCIONES

Seguridad ante incendios

ADVERTENCIA

Use este electrodoméstico únicamente para lo que está diseñado, tal como se describe en este manual.

Siempre tenga cerca de la cocina un detector de humos en funcionamiento. En caso de que la ropa o el cabello se incendie, déjese caer de inmediato y ruede, para apagar las llamas.

Tenga cerca del electrodoméstico un extintor de incendios adecuado disponible, muy visible y fácilmente accesible.

Apague con bicarbonato de sodio las llamas de incendios de madera que no sean producidos por grasa. Nunca use agua sobre incendios que surjan al cocinar.

ADVERTENCIA

PARA REDUCIR EL RIESGO DE LESIONES A LAS PERSONAS EN CASO DE UN INCENDIO PRODUCIDO POR GRASA EN UNA ESTUFA, OBSERVE LO SIGUIENTE:^a

- a. APAGUE LAS LLAMAS con una tapa de ajuste exacto, una charola para galletas o una bandeja de metal, y después apague el quemador. PROCEDA CON CUIDADO PARA EVITAR QUEMADURAS. Si las llamas no se apagan inmediatamente, EVACUE EL ÁREA Y LLAME A LOS BOMBEROS.
- b. NUNCA LEVANTE UNA CACEROLA INCENDIADA, se puede quemar.
- c. NO USE AGUA, ni trapos o toallas de cocina mojados; puede producirse una explosión violenta de vapor.
- d. Use un extintor SOLO si:
 - Sabe que el extintor es de Clase ABC y sabe cómo hacerlo funcionar.
 - El incendio es pequeño y está confinado al área en la que se inició.
 - Se está llamando al Departamento de Bomberos.
 - Puede combatir el incendio teniendo la espalda orientada hacia una salida.

^a Basado en "Kitchen Fire Safety Tips" (Sugerencias para la seguridad contra incendios en la cocina) publicado por NFPA.

Siempre que sea posible, no accione el sistema de ventilación en caso de incendio en una estufa. Sin embargo, no atraviese el fuego para apagarlo.

Selle adecuadamente los puntos de conexión de los conductos.
- Los conductos deben ventearse hacia el exterior, no hacia espacios de ático, por ejemplo, a menos que se utilice el juego de recirculación sin conductos que está disponible.

ADVERTENCIA

RIESGO DE INCENDIO

Cuando los quemadores de gas funcionan sin tener utensilios de cocina sobre ellos, pueden acumular mucho calor. Un electrodoméstico de ventilación instalado sobre el quemador podría dañarse o incendiarse. Solo accione los quemadores de gas con utensilios de cocina sobre ellos.

ADVERTENCIA

RIESGO DE INCENDIO

El aceite y la grasa calientes se incendian rápido. Nunca deje aceite y grasa calientes sin supervisión. Nunca extinga un incendio con agua. Apague el quemador correspondiente. Sofoque las llamas con cuidado con una tapa, una manta para incendios o algo similar.

ADVERTENCIA

RIESGO DE INCENDIO

Los depósitos de grasa en el filtro de grasa se pueden incendiar. Limpie el filtro de grasa por lo menos cada dos meses o con la frecuencia que sea necesaria.
Nunca opere el electrodoméstico sin el filtro de grasa.

ADVERTENCIA

RIESGO DE INCENDIO

Los depósitos de grasa en el filtro de grasa se pueden incendiar. Nunca trabaje con una llama abierta cerca del electrodoméstico (por ejemplo, al flamear). Instale la unidad cerca de un electrodoméstico que produzca calor para combustibles sólidos (por ejemplo, madera o carbón) únicamente si hubiera una cubierta cerrada que no se quita. No debe haber chispas volando.

ADVERTENCIA

RIESGO DE INCENDIO

Utilice solo conductos metálicos.

ADVERTENCIA

RIESGO DE QUEMADURAS

Las piezas accesibles pueden calentarse durante la operación. Nunca toque las piezas calientes. Mantenga lejos a los niños.

PRECAUCIÓN

Se recomienda usar guantes y manga larga para proteger manos y antebrazos de abrasión y posibles rasguños durante el proceso de instalación.

⚠ INSTRUCCIONES IMPORTANTES DE SEGURIDAD

LEA Y CONSERVE ESTAS INSTRUCCIONES

Seguridad con los niños

Cuando los niños crecen lo suficiente como para usar el electrodoméstico, es responsabilidad de los padres o tutores legales asegurarse de que personas calificadas los instruyan en prácticas seguras.

No permita que nadie trepe, se pare, se incline, se sienta o se cuelgue de ninguna parte de un electrodoméstico. Esto puede dañar el electrodoméstico o causar lesiones.

ADVERTENCIA

Asegúrese de que todo el electrodoméstico (incluidos los filtros de grasa y bombillas de luz, si corresponde), se haya enfriado y la grasa se haya solidificado antes de intentar limpiar cualquier parte del electrodoméstico.

No use limpiadores de vapor para limpiar el electrodoméstico.

Advertencias de la Propuesta 65 del estado de California

ADVERTENCIA

Este producto puede exponerlo a productos químicos, como cloruro de vinilo, conocidos en el estado de California como causantes de cáncer y defectos congénitos u otros daños reproductivos. Si desea más información, visite www.P65Warnings.ca.gov

Protección del medio ambiente

Desempaque el electrodoméstico y deseche el empaque, de acuerdo con los requisitos ambientales.

AVISO

Riesgo de daños debidos a la corrosión. Siempre encienda el electrodoméstico cuando cocine, para evitar la acumulación de condensación. La condensación puede conducir a daños por corrosión.

Riesgo de daños debido al ingreso de humedad en los circuitos electrónicos. Nunca limpie los controles del operador con un paño húmedo.

Puede dañarse la superficie por una limpieza incorrecta. Limpie las superficies de acero inoxidable solo en la dirección del grano. No use limpiadores de acero inoxidable en los controles del operador. Nunca use agentes de limpieza fuertes o abrasivos, pues pueden dañar la superficie.

Riesgo de daños por el contraflujo de la condensación. Instale un ventilador de escape en una pendiente ligeramente descendente, lejos del electrodoméstico (pendiente de 1°).

PIEZAS SUMINISTRADAS

Se incluyen estas piezas con el ventilador de tiro descendente:

2 - patas de montaje del ventilador*

1 - Una bolsa de piezas que contiene:

- (4) tornillos de madera #10 x 12.7 mm (0.50 pulg.)*
- (4) soportes de montaje del ventilador
- (1) buje de alivio de esfuerzo
- (8) tornillos, #10 x 9.7 mm (0.38 pulg.)
- (8) tuercas, #10

* Para usarse cuando el ventilador flexible se monte directamente en la cubierta de tiro descendente. (Consulte el manual de instrucciones del tiro descendente).

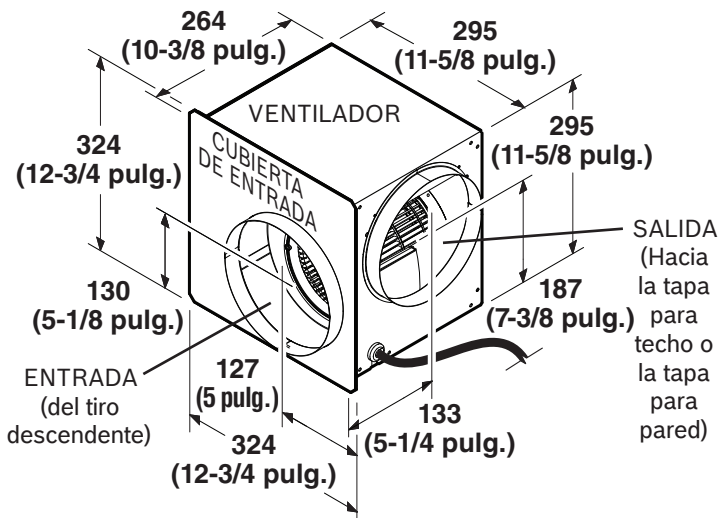
PLANEE LA INSTALACIÓN

Si desea montar el ventilador flexible directamente en la cubierta de tiro descendente: Retire la cubierta de entrada (pegada en su lugar con cinta, para el envío) y deseche la cubierta de entrada. Consulte las instrucciones en el manual del tiro descendente.

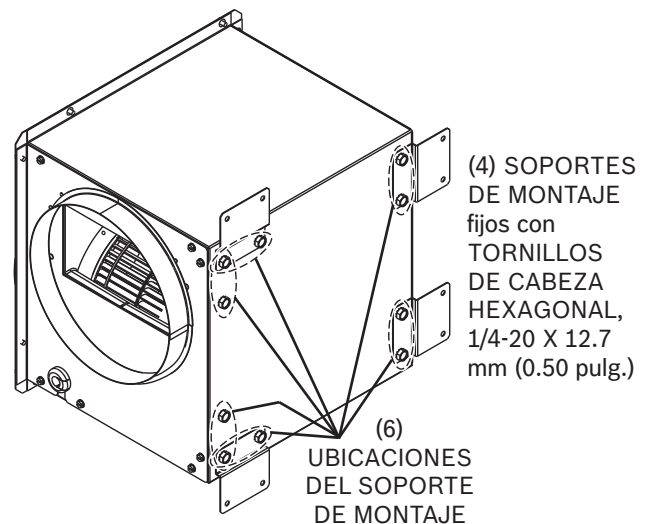
Si desea montar el ventilador flexible en una ubicación en línea (como la parte posterior del gabinete, al lado del gabinete o en las vigas del piso), siga las instrucciones a continuación.

INSTALACIÓN DEL VENTILADOR FLEXIBLE EN UNA UBICACIÓN REMOTA

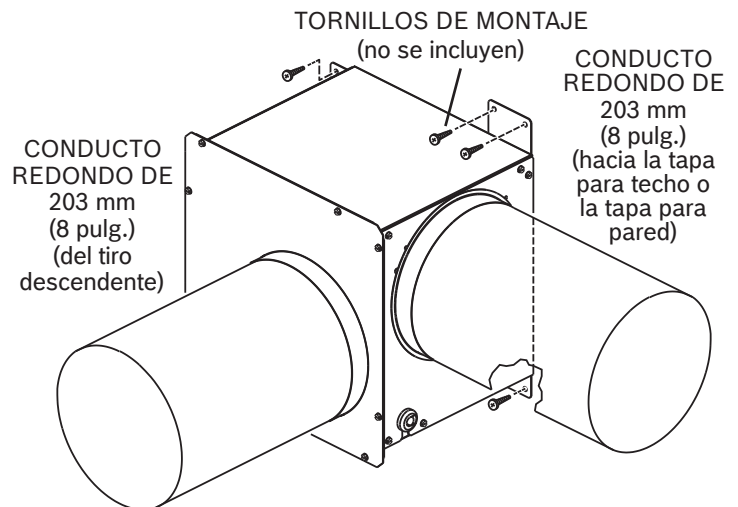
NOTA: EL VENTILADOR FLEXIBLE DEBE INSTALARSE A MENOS DE (1219 mm) 4 PIES DEL PANEL ELÉCTRICO DEL TIRO DESCENDENTE. El panel eléctrico debe montarse directamente en la cubierta de tiro descendente o en una ubicación remota (siempre a menos de 1219 mm [4 pies] del ventilador flexible).



1. Coloque la cubierta de entrada sobre el disco del ventilador. Fije firmemente la cubierta de entrada al ventilador con 8 tornillos y 8 tuercas de la bolsa de piezas. Observe que la cubierta de entrada está pegada con cinta al ventilador para el envío. Esta cinta se puede quitar.
2. Determine cómo estarán conectados los conductos redondos de 203 mm (8 pulg.) de **ENTRADA** y de **SALIDA** al ventilador flexible. Consulte las instrucciones de instalación en el manual del tiro descendente.



3. Retire los tornillos de cabeza hexagonal 1/4-20 x 12.7 mm (0.50 pulg.) que sean necesarios y fije **4 SOPORTES DE MONTAJE** al ventilador flexible, usando 4 de las **6 POSIBLES UBICACIONES DE MONTAJE DE LOS SOPORTES**.



4. Monte el ventilador flexible en la parte posterior del gabinete, en la viga del piso o en una estructura adecuada (fabricada por el instalador) con los **TORNILLOS DE MONTAJE** adecuados (**no se incluyen**).
5. Conecte el **CONDUCTO REDONDO DE 203 mm (8 pulg.)** desde la cubierta de tiro descendente a la entrada del ventilador flexible y desde la salida del ventilador flexible a la tapa de techo o de pared.

Para obtener el mejor desempeño: Seleccione el sistema de conductos de la longitud más corta y un número mínimo de codos y transiciones. Revise el área de la instalación para asegurarse de que no haya interferencia con vigas del piso, montantes de la pared, cableado eléctrico o tuberías.

6. Utilice el buje de alivio de esfuerzo (suministrado) para fijar el cableado del ventilador flexible a la caja de cableado del panel eléctrico del tiro descendente y haga las conexiones pertinentes. (Consulte las instrucciones en el manual del tiro descendente.)

SERVICIO AL CLIENTE

Nuestro departamento de servicio al cliente está ahí para usted en caso de que su electrodoméstico requiera reparación.

Cuando llame, proporcione el Número de Producto y el Número de Serie, para poder ayudarlo mejor. La placa de identificación con los números se puede encontrar en el interior del electrodoméstico (retire el filtro de grasa metálico para encontrarla).

Para que no tenga que buscarlos cuando los necesite, puede ingresar aquí la información del electrodoméstico y el número de servicio al cliente.

No. de producto	
No. de serie	

No. de servicio al cliente	
----------------------------	--

Tome en cuenta que una visita del encargado de servicio autorizado, en caso de un funcionamiento incorrecto, no está libre de cargo, aun durante el periodo de garantía.

Para reservar una vista de servicio y recibir asesoría sobre el producto en EE.UU.:

Llame al 800 944 2904 (sin costo).

DECLARACIÓN DE GARANTÍA LIMITADA DEL PRODUCTO

Lo que abarca esta garantía y a quién se aplica

La garantía limitada provista por BSH Home Appliances Corporation ("BSH" en esta declaración de garantía limitada del producto se aplica únicamente al electrodoméstico Bosch (el "Producto") vendido a usted, el primer comprador que lo utiliza, siempre y cuando el Producto se haya comprado:

- Para su uso normal y casero (no comercial) y, de hecho, se ha usado en todo momento únicamente para fines caseros normales.
- Nuevo al menudeo (no de exhibición, "tal cual" o modelo devuelto anteriormente), y no para reventa o uso comercial.
- Dentro de los Estados Unidos o Canadá, y en todo momento se ha mantenido dentro del país donde se compró originalmente.

Las garantías otorgadas en la presente se aplican únicamente al primer comprador del Producto y no son transferibles.

BSH se reserva el derecho de solicitar un comprobante de compra en el momento en que se envíe cualquier reclamo de garantía, para confirmar que el Producto queda dentro del alcance de esta garantía limitada del producto.

Asegúrese de devolver su tarjeta de registro, aunque no es necesaria para efectuar la cobertura de la garantía; es la mejor manera como BSH le notifica sobre una poco probable situación de un aviso de seguridad o un retiro de producto.

Cuánto tiempo dura la garantía

BSH garantiza que el Producto estará libre de defectos en materiales y mano de obra por un periodo de trescientos sesenta y cinco (365) días a partir de la fecha de compra. El plazo mencionado comienza a correr a partir de la fecha de compra y no se demorará, prolongará o suspenderá por ninguna razón.

Este Producto está garantizado también como libre de defectos cosméticos en materiales y mano de obra (como rayones en el acero inoxidable, manchas en la pintura/porcelana, astilladuras, abolladuras u otros daños en el acabado) del Producto, por un periodo de treinta (30) días a partir de la fecha de compra o la fecha de cierre para una construcción nueva. Esta garantía cosmética excluye variaciones ligeras en el color debidas a diferencias inherentes en las piezas pintadas y de porcelana, así como a diferencias ocasionadas por la iluminación de la cocina, ubicación del producto u otros factores similares. Esta garantía cosmética excluye específicamente cualquier electrodoméstico de exhibición, de piso, "tal cual" o de existencias "B".

Reparación/reemplazo como su recurso exclusivo

Durante el periodo de esta garantía, BSH o uno de sus proveedores de servicio autorizados reparará su Producto sin cargo para usted (sujeto a ciertas limitaciones establecidas en la presente) si se comprueba que su Producto se fabricó con un defecto en materiales o en mano de obra. Si se han hecho intentos razonables de reparar el Producto sin éxito, entonces BSH reemplazará su Producto (podría tener disponibles modelos mejorados, a la exclusiva discreción de BSH, por un cargo adicional). Todas las piezas y componentes retirados serán propiedad de BSH a su opción exclusiva. Todas las piezas reemplazadas o reparadas asumirán la identidad de la pieza original para fines de esta garantía, y esta garantía no se prolongará con respecto a dichas piezas. La única responsabilidad de BSH al amparo de la presente es reparar solamente el Producto defectuoso del fabricante, empleando a un proveedor de servicio autorizado por BSH durante horas hábiles de trabajo. Por razones de seguridad y de daños a la propiedad, BSH recomienda encarecidamente que no trate usted mismo de reparar el Producto ni usar a un proveedor de servicio no autorizado; BSH no será responsable por las reparaciones o el trabajo realizado por un proveedor de servicio no autorizado. Si elige que alguien que no sea un proveedor de servicio autorizado realice un trabajo en su Producto, ESTA GARANTÍA QUEDARÁ NULA AUTOMÁTICAMENTE. Los proveedores de servicio autorizados son aquellas personas o compañías que han recibido capacitación especial en los productos BSH y que poseen, en opinión de BSH, una reputación superior en servicio al cliente y capacidad técnica (tome en cuenta que son entidades independientes y que no son agentes, socios, afiliados ni representantes de BSH). No obstante lo anterior, BSH no tendrá ninguna responsabilidad por el Producto si se encuentra en un área remota (a más de 100 millas de un proveedor de servicio autorizado) o si es un sitio, alrededores o entorno razonablemente inaccesible, peligroso, amenazante o traicionero; en cuyo caso, si lo solicita, BSH pagaría por mano de obra y piezas y enviaría las piezas al proveedor de servicio autorizado más cercano, pero usted sería totalmente responsable de cualquier tiempo de traslado u otros cargos especiales de parte de la compañía de servicio, suponiendo que ellos acepten realizar la llamada de servicio.

Consulte las instrucciones de instalación en el manual del tiro descendente.



9001379911
99045537D

1901 Main Street, Suite 600 • Irvine, CA 92614 • 800-944-2904
www.bosch-home.com • © 2018 BSH Home Appliances