



Buy it for looks. Buy it for life.®

Specifications

DESCRIPTION

- Metal construction with various finishes identified by suffix
- 24" flexible supply lines with 3/8" compression fittings

OPERATION

- Lever style handle
- Temperature controlled by 110° arc of handle travel


FLOW

- Flow is limited to 1.5 gpm max (5.7L/min) at 60 psi, for products made before October 2008 flow is limited to 2.2 gpm max (8.3 L/min)

CARTRIDGE

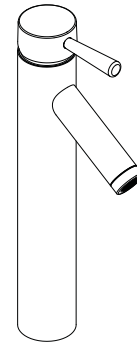
- Ceramic cartridge design
- Nonmetallic/nonferrous and ceramic material

STANDARDS

- Third party certified to ASME A112.18.1/CSA B125.1, NSF 61/9, ICC A117.1, and all applicable requirements referenced therein
- Third party certified to comply with WaterSense® High Efficiency Bathroom Sink Faucet Specification
- Complies with California Proposition 65 and with the Federal Safe Drinking Water Act
- ADA  for lever handle

WARRANTY

- Lifetime limited warranty against leaks, drips and finish defects to the original consumer purchaser
- 5 year warranty if used in commercial installations

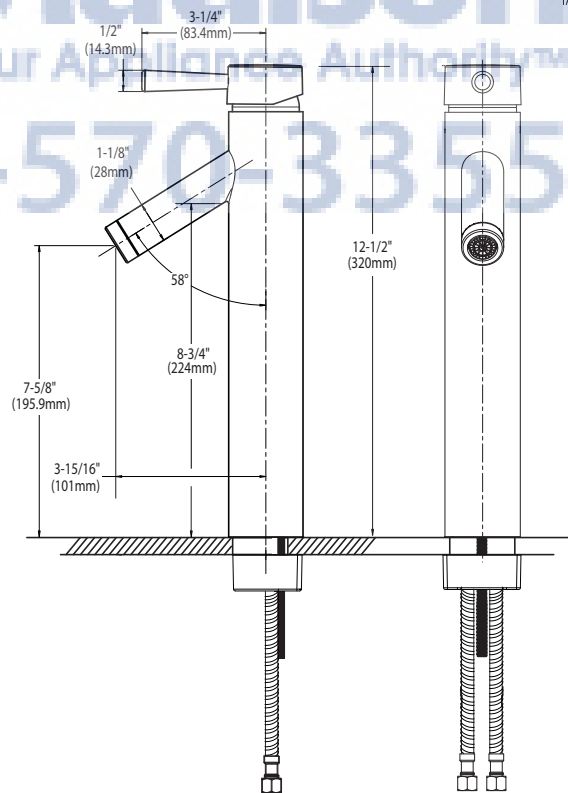


LEVEL™

Single-Handle Vessel Lavatory Faucet

Models: 6111 series

NOTE: THIS FAUCET IS DESIGNED TO BE INSTALLED THRU 1 HOLE, 1-1/4" MIN. DIA.



CRITICAL DIMENSIONS

(DO NOT SCALE)