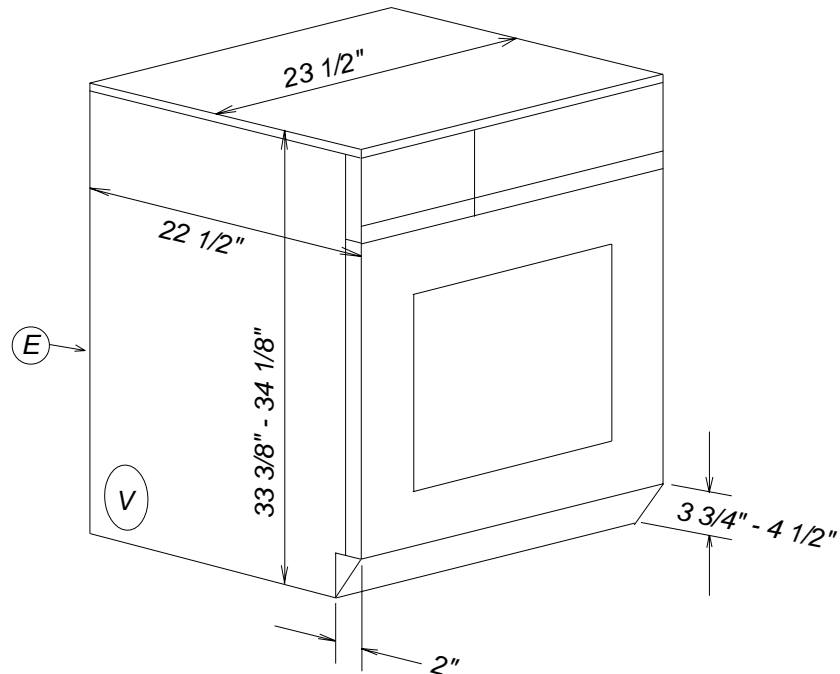


# Product Dimensions

## Large Capacity Vented Dryers

### Flat Controls

### T1312



Location Codes
<p><i>E</i> - 5 foot - 208-240 Volt - 15 Amp 4-wire (2 live / neutral / ground) molded plug power supply connects lower right rear (NEMA 14-30 Configuration).</p> <p><i>V</i>- Venting location may be adjusted to lower right or left side or lower left rear (see separate sheet).</p>

Notes
<ul style="list-style-type: none"> <li>• <b>All installations must be done in accordance with local codes</b></li> <li>• See "Cut-out Dimensions" sheet for undercounter or built-in space requirements</li> <li>• Optional Easy Installation Kits utilize existing 208-240 Volt - 30 Amp line to connect two Miele machines without rewiring .</li> </ul>

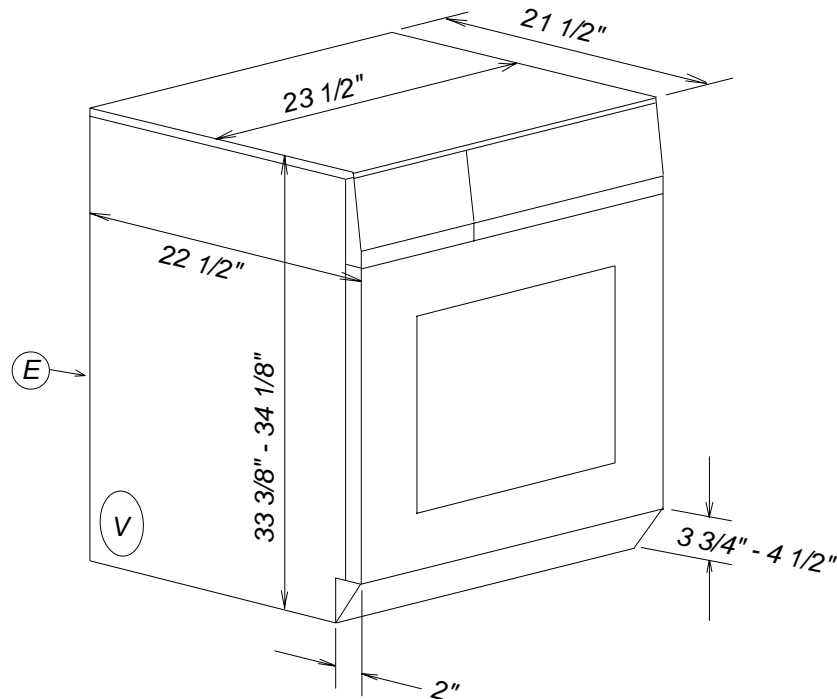
NOTE: Drawing is not to scale.  
SPECIFICATION SHEETS 151105

# Product Dimensions

## Large Capacity Vented Dryer

### Angled control

### T1313



Location Codes
<p><i>E</i> - 5 foot - 208-240 Volt - 15 Amp 4-wire (2 live / neutral / ground) molded plug power supply connects lower right rear (NEMA 14-30 Configuration).</p> <p><i>V</i>- Venting location may be adjusted to lower right or left side or lower left rear (see separate sheet).</p>

Notes
<ul style="list-style-type: none"> <li>• <b>All installations must be done in accordance with local codes</b></li> <li>• See "Cut-out Dimensions" sheet for undercounter or built-in space requirements</li> <li>• Optional Easy Installation Kits utilize existing 208-240 Volt - 30 Amp line to connect two Miele machines without rewiring.</li> </ul>

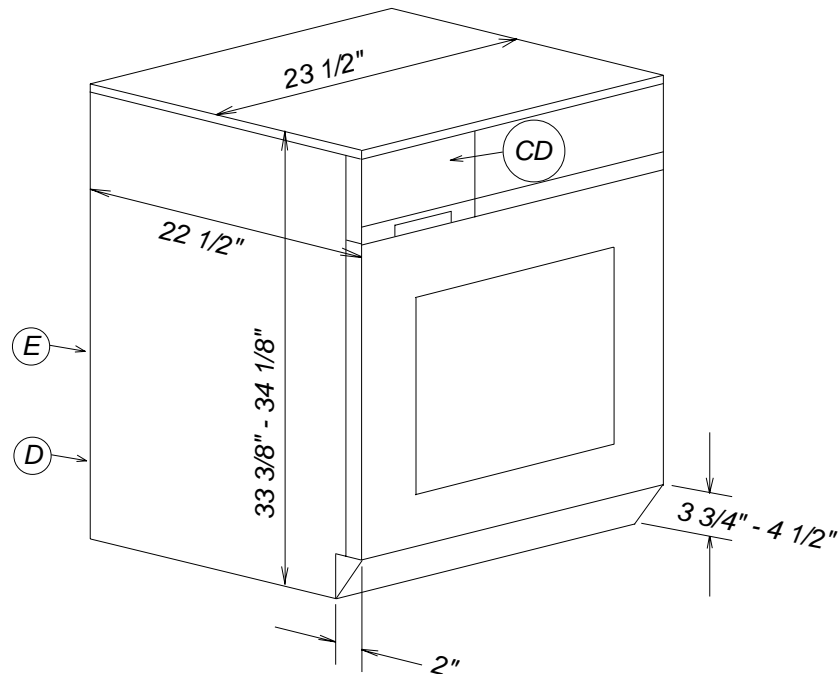
NOTE: Drawing is not to scale.  
SPECIFICATION SHEETS 151105

# Product Dimensions

## Large Capacity Condenser Dryers

### Flat Controls

### T1332C



Location Codes
<p><i>E</i> - 5 foot - 208-240 Volt - 15 Amp 4-wire (2 live / neutral / ground) molded plug power supply connects lower right rear (NEMA 14-30 Configuration).</p> <p><i>D</i> - Drain location</p> <p><i>CD</i> - Removable drawer if drain connection is not utilized</p>

Notes
<ul style="list-style-type: none"> <li>• <b>All installations must be done in accordance with local codes</b></li> <li>• See "Cut-out Dimensions" sheet for undercounter or built-in space requirements</li> <li>• Optional Easy Installation Kits utilize existing 208-240 Volt - 30 Amp line to connect two Miele machines without rewiring.</li> </ul>

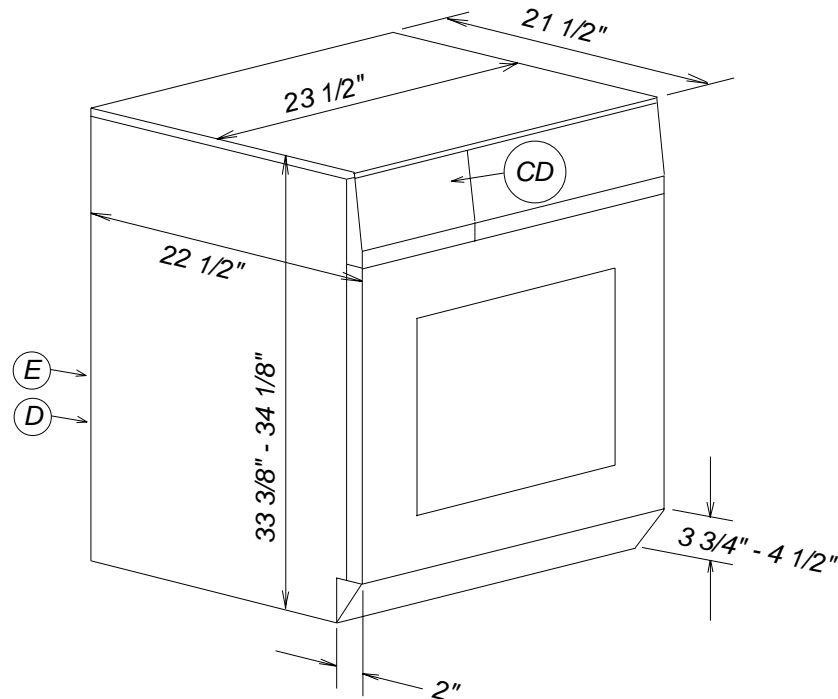
NOTE: Drawing is not to scale.  
SPECIFICATION SHEETS 151105

# Product Dimensions

## Large Capacity Condenser Dryer

### Angled control

### T1333C



Location Codes
<p><i>E</i> - 5 foot - 208-240 Volt - 15 Amp 4-wire (2 live / neutral / ground) molded plug power supply connects lower right rear (NEMA 14-30 Configuration).</p> <p><i>D</i> - Drain location</p> <p><i>CD</i> - Removable drawer if drain connection is not utilized</p>

Notes
<ul style="list-style-type: none"> <li>• <b>All installations must be done in accordance with local codes</b></li> <li>• See "Cut-out Dimensions" sheet for undercounter or built-in space requirements</li> <li>• Optional Easy Installation Kits utilize existing 208-240 Volt - 30 Amp line to connect two Miele machines without rewiring.</li> </ul>

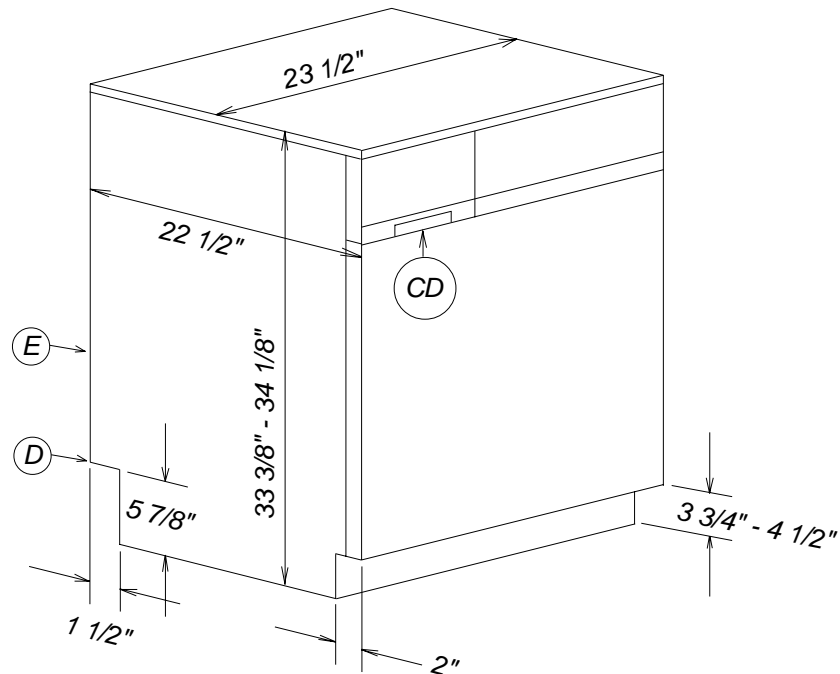
NOTE: Drawing is not to scale.  
SPECIFICATION SHEETS 151105

# Product Dimensions

## Large Capacity Condenser Dryers

### Flat Controls - Decor unit

#### T1339C



#### Location Codes

*E* - 5 foot - 208-240 Volt - 15 Amp 4-wire (2 live / neutral / ground) molded plug power supply connects lower right rear (NEMA 14-30 Configuration).

*D* - Drain location

*CD* - Removable drawer if drain connection is not utilized

#### Notes

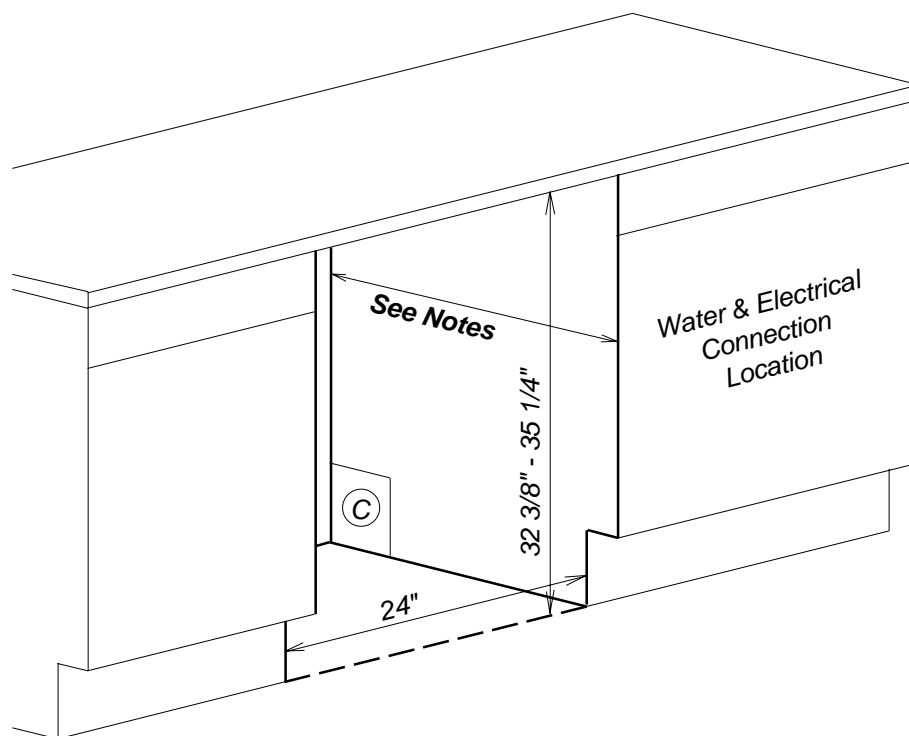
- **All installations must be done in accordance with local codes**
- See "Cut-out Dimensions" sheet for undercounter or built-in space requirements
- Optional Easy Installation Kits utilize existing 208-240 Volt - 30 Amp line to connect two Miele machines without rewiring.

NOTE: Drawing is not to scale.  
SPECIFICATION SHEETS 151105

# Cut-out Dimensions

## Built-in Installations

### Large Capacity Laundry Products



Location Codes
C - Cutout for Electric and Vent or Drain pass-through. Adjust according to duct or drain location.

Notes
<ul style="list-style-type: none"> <li>• Needed depth will vary by model number:  T1302, T1303, T1322C, T1323C: 24" minimum  T1329C: 25" minimum</li> <li>• Typically requires removal of unit's lid. Out of box unit height dimension without lid is 32 5/16" - 32 11/16".</li> </ul>

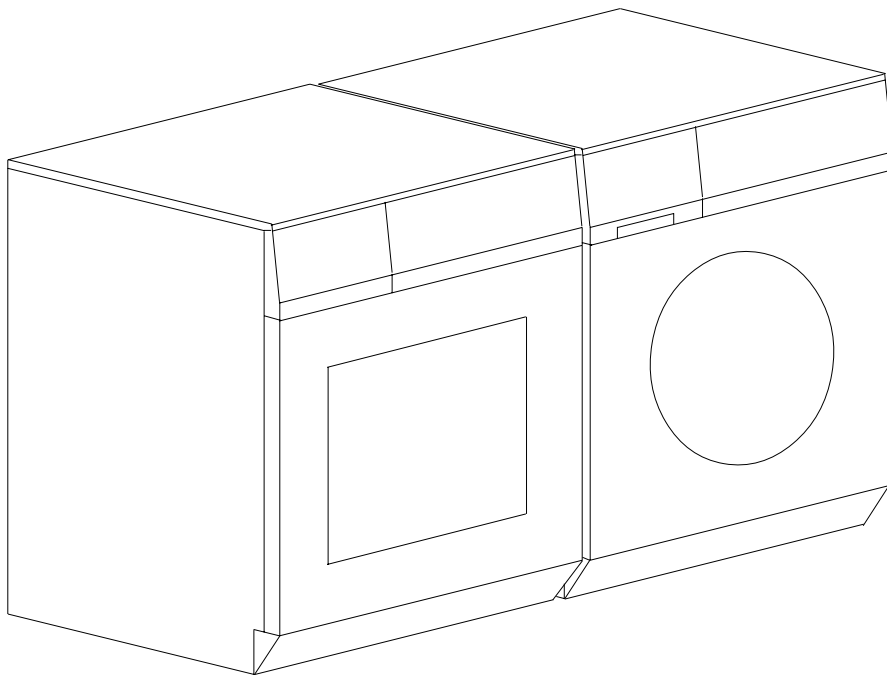
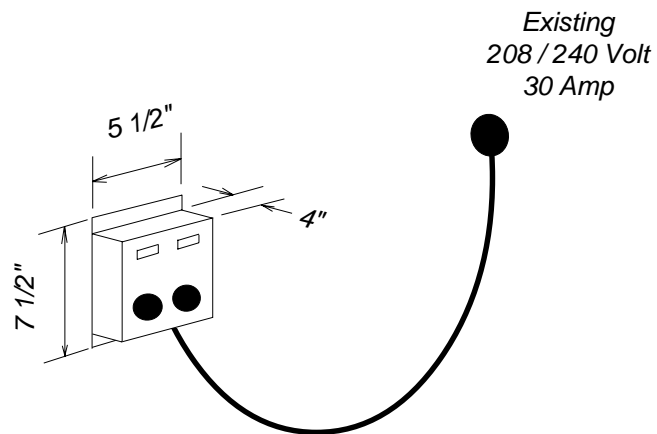
NOTE: Drawing is not to scale.  
SPECIFICATION SHEETS 151105

# Product Dimensions

## Easy Installation Kits

057B / 060B

**Miele**



### Notes

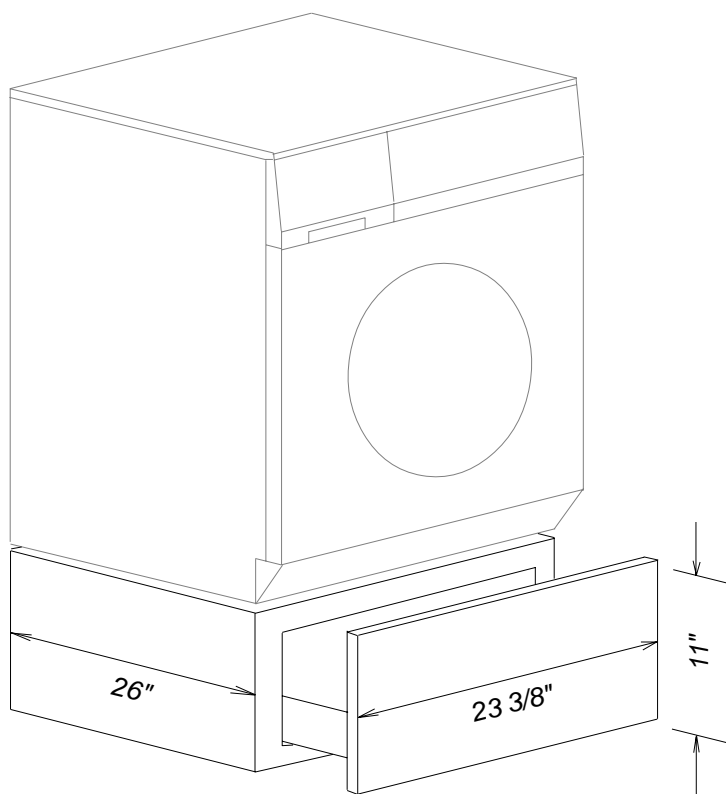
- **Connect Washer and Dryer to Easy Installation Kit**
- **All installations must be done in accordance with local codes**
- **057B Kit fitted with a NEMA10-30 Plug**
- **060B Kit fitted with a NEMA14-30 Plug**

NOTE: Drawing is not to scale.  
SPECIFICATION SHEETS 151105

# Product Dimensions

Laundry Stand

WTS420 - White Only



## Notes

- *For use with both large and super capacity washers or tumble dryers.*
- *All installations must be done in accordance with local codes*

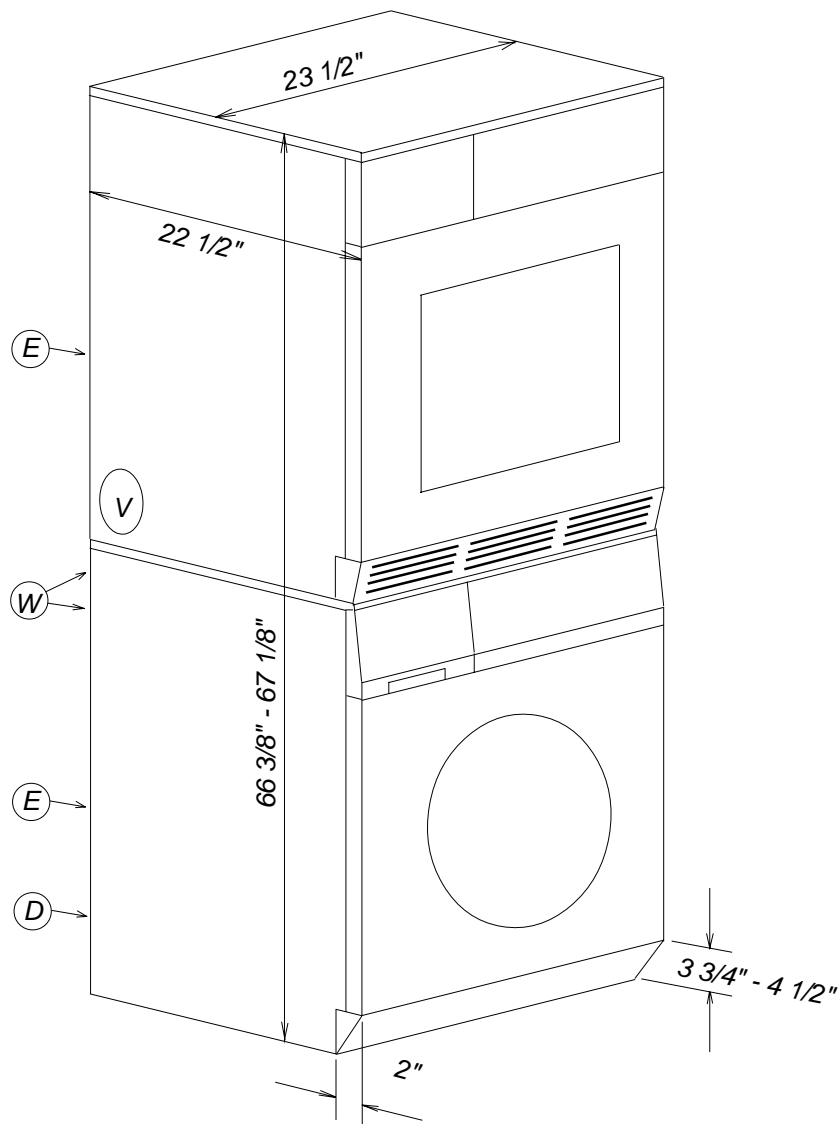
NOTE: Drawing is not to scale.  
SPECIFICATION SHEETS 151105

# Product Dimensions

## Stacked Washer & Dryer

### Example Combination

#### W1113 + T1313



#### Location Codes

- D - 5 foot flexible drain hose connects lower left rear.
- E - 208-240 Volt - 15 Amp 5 foot 4-wire (2 live / neutral / ground) molded plug power supply connects lower right rear.
- W - 5 foot separate flexible hot and cold water intake hoses connect upper right and left rear.
- V- Venting location may be adjusted to lower right or left side or lower left rear (see separate sheet).

#### Notes

- **All installations must be done in accordance with local codes**
- See "Cut-out Dimensions" sheet for undercounter or built-in space requirements
- Optional Easy Installation Kits utilize existing 208-240 Volt - 30 Amp line to connect two Miele machines without rewiring.
- **Remove transport struts in rear of washing machine before installation.**

NOTE: Drawing is not to scale.  
SPECIFICATION SHEETS 151105

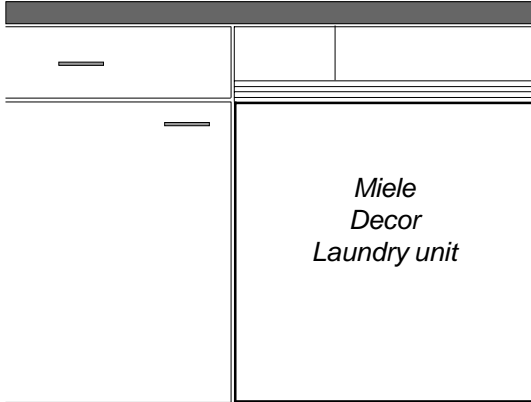
# Panel Information

## Integrated Laundry T1339C Decor Unit



These units come equipped with a full size white front panel. These units are also designed to either accept a thin insert or a custom front panel supplied by the custom cabinet maker.

Sizes are as follows:



### Version 1 - Thin insert

**Width:** 23 1/4" for all machines  
**Thickness:** up to 1/8"  
**Height:** 25" in all cases

With this version, a thin white frame will be exposed after installation

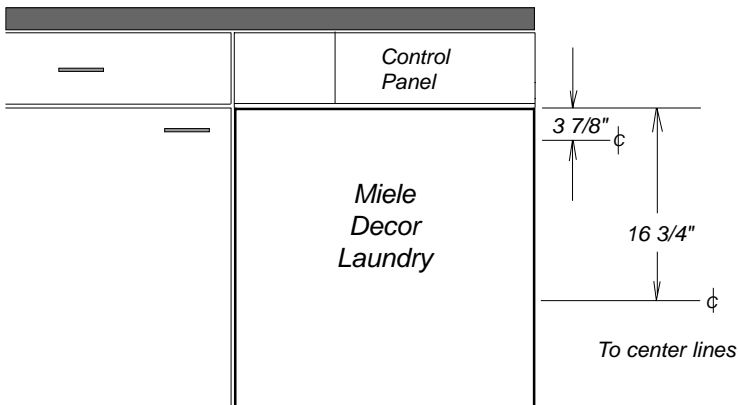
### Version 2 - Custom Front Panel

**Width:** 23 3/8" for all machines  
**Thickness:** up to 3/4"  
**Height:** Up to 25"

With this version, the existing front panel is removed and replaced by the new custom panel

### Hinge Notches

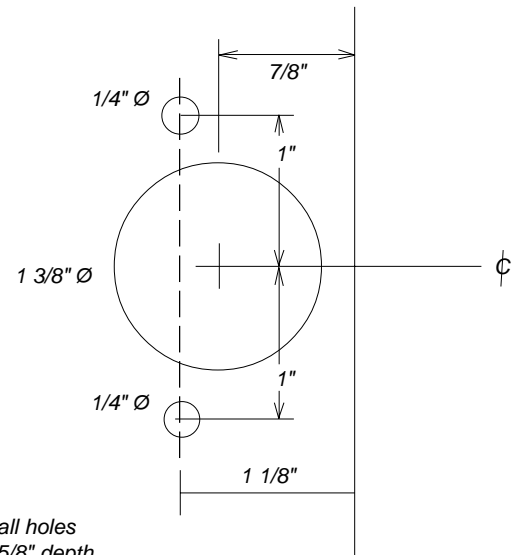
In certain installations, notches will be required to accommodate the hinges in the front panel.



**Note:** To insure access to customer servicable features, a minimum 4" toe kick above finished floor (AFF) is required.

### Notch Pattern

For this installation, drill the following pattern in the appropriate locations.

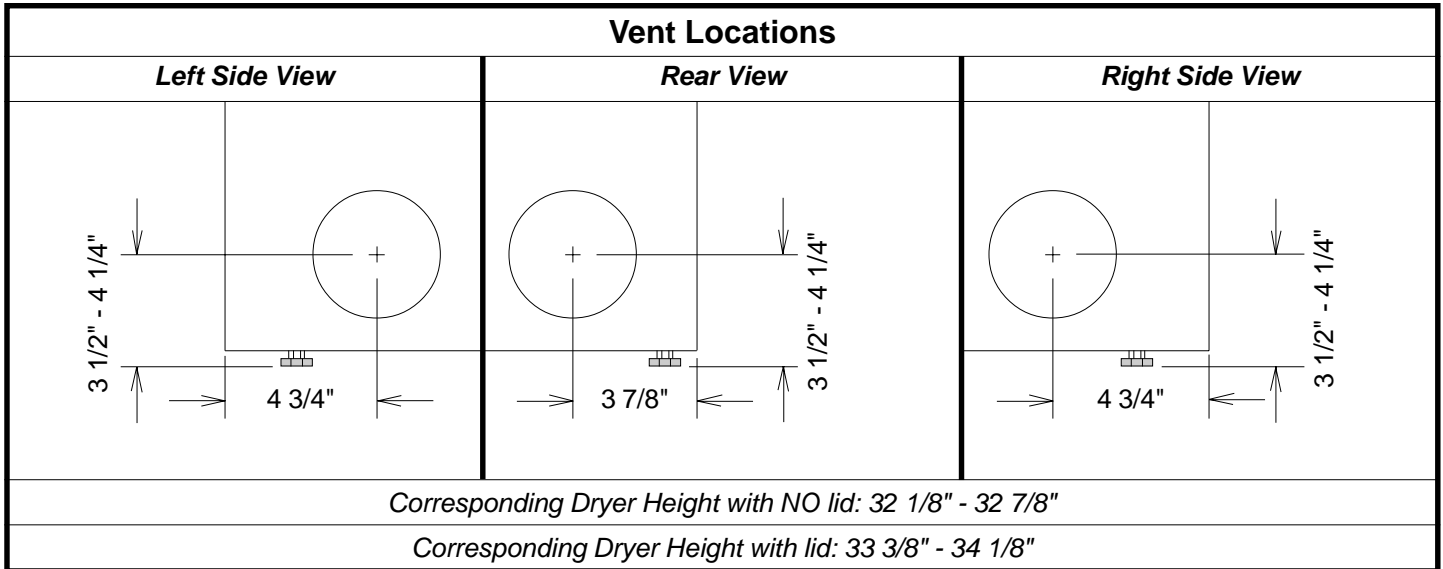


NOTE: Drawing is not to scale.  
 SPECIFICATION SHEETS 151105

# Vent Locations

Vented dryers

T1312, T1313



Vent Duct Calculations			
Maximum Duct Lengths	Type of Bend or duct	Effective Radius	Subtract
4" diameter	Flexible duct 90°	4 - 12 inches	1 3/4 feet
4 3/16" diameter	Flexible duct 90°	12 - 20 inches	1 1/4 feet
4 3/4" diameter	Flexible duct 45°	4 - 20 inches	1 1/4 feet
5" diameter	Smooth duct 90° or 45°	4 - 8 inches	1 1/4 feet
	Elbow 90°	Sharp bend	8 1/4 feet
	Concertina bend	8 inch	2 3/4 feet
	Segmented bend	8 inch	2 feet
	Louvered wall or window vent (#03780400)		12 1/2 feet
	Wall vent kit with flap (#00087184)		5 feet
	Window vent kit with flap (#00087185)		5 feet
	Exhaust connection - left		20 feet
	Exhaust connection - right		33 feet
	Flat duct (#01221330)		59 feet

DO NOT use vinyl ducting with Miele appliances.

# Vent Locations

## Stacked Washer & Dryer

### Example Combination

