



**Electrolux**

## Factory Parts Catalog

<b>Product No.</b>	<b>EI33AR80WS0</b>
<b>Series</b>	R600a
<b>Color</b>	stainless
<b>Volts</b>	115V
<b>Wiring Diagram</b>	A19239301
<b>Owner's Guide</b>	A16366202
<b>Market</b>	North America
<b>Energy Guide</b>	A06191479
<b>Mini Service Manual</b>	A16331203
<b>Quick Start Guide</b>	A18624301

 **Electrolux**

**Electrolux Major Appliances**

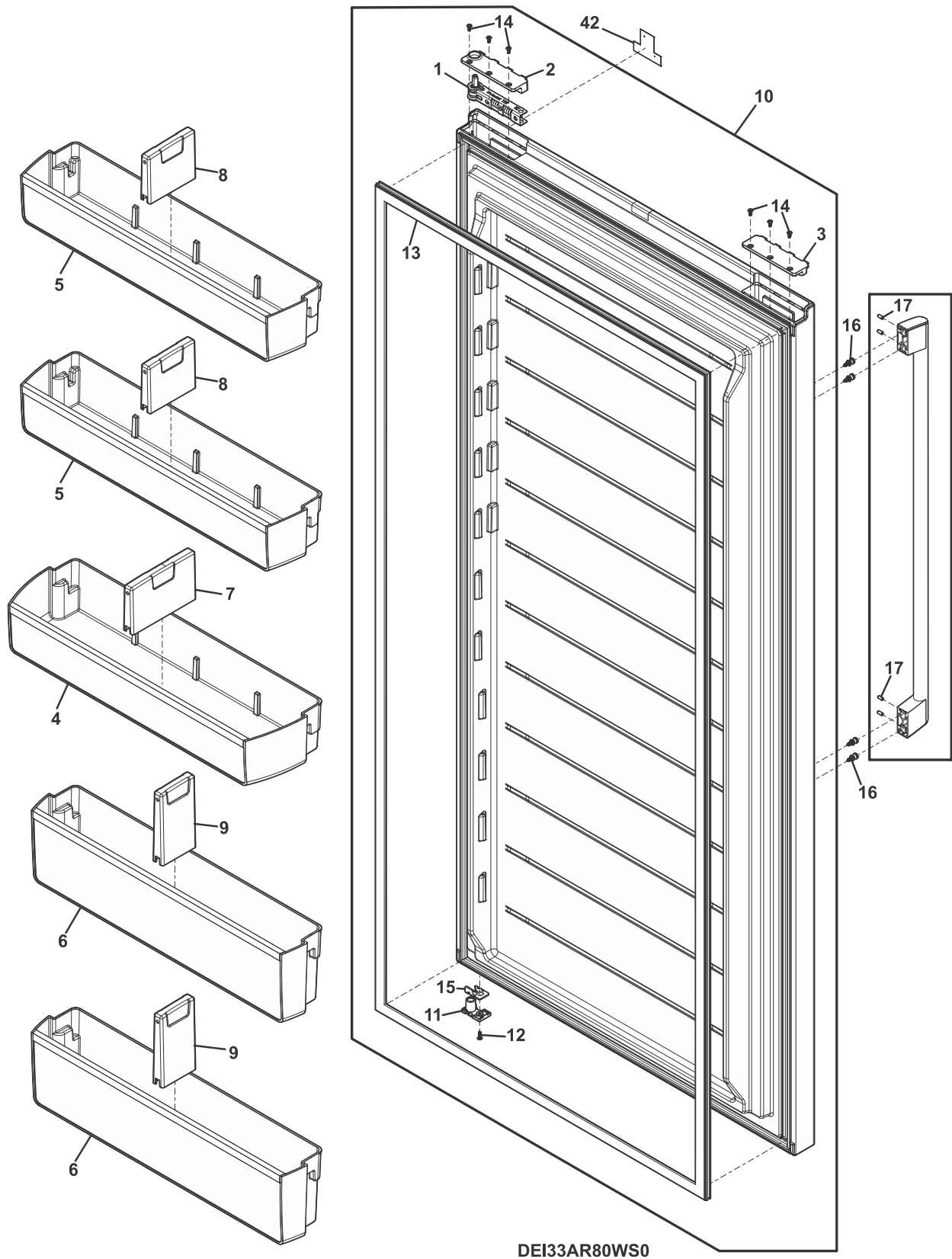
P.O. BOX 8020  
CHARLOTTE, NC 28262

Publication No.  
**5995725289**  
21/01/27  
(EN/SERVICE/ECL)  
365

**REFRIGERATOR**

Model No.  
**EI33AR80W**

DOOR



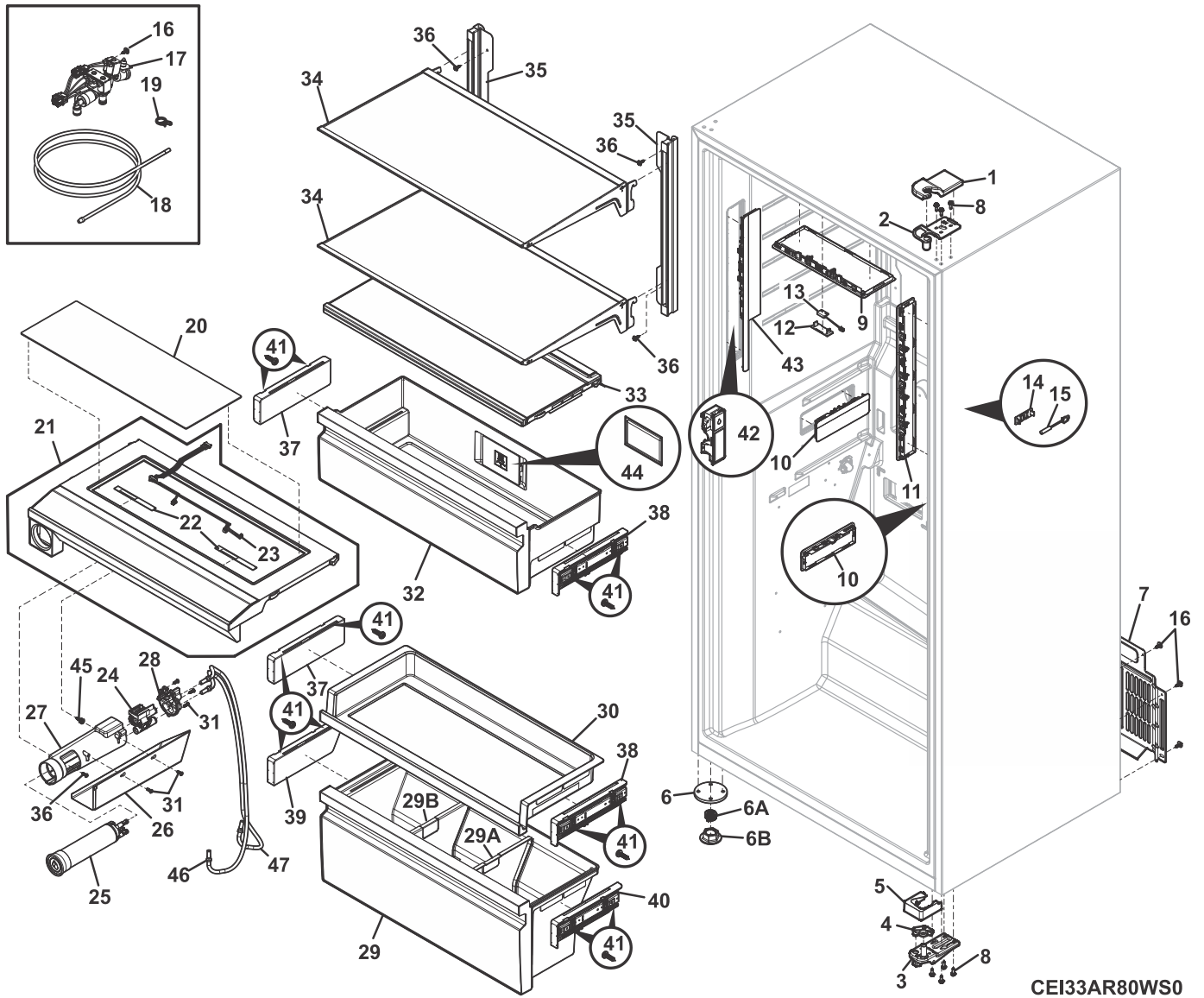
---

**DOOR**


---

POS. NO	PART NO.	DESCRIPTION
1	5304524643	Closer Assembly, door, RH upper
2	5304524623	Cover, door cap, gray, RH, closer side
3	5304524626	Cover, door cap, gray, LH, non-closer side
4	5304524631	Bin, door, gallon
5	5304524632	Bin, door, 2 liter
6	5304524633	Bin, door, tall items
7	5304524846	Divider, gallon, door bin
8	5304524634	Divider, door bin, 2 liter
9	5304524635	Divider, door bin, tall items
10	5304524740	Door Assembly, complete, stainless, RH swing
11	5304524745	Bearing, door, lower
12	241953903	Screw, door stop, lower
13	5304524888	Gasket, door, grey
14	241953902	Screw, quad hilo, #8-18 X 0.380
15	5304524767	Stop, door, lower bearing
16	218755504	Screw, shoulder, #10-AB, handle mounting
17	218755410	Screw-set, 10-32 x .354 in
17*	241601002	Wrench, allen
18	5304524807	Handle Assembly, stainless, w/set screws
42	5304524867	Label Assembly, nameplate, chrome, Electrolux

CABINET

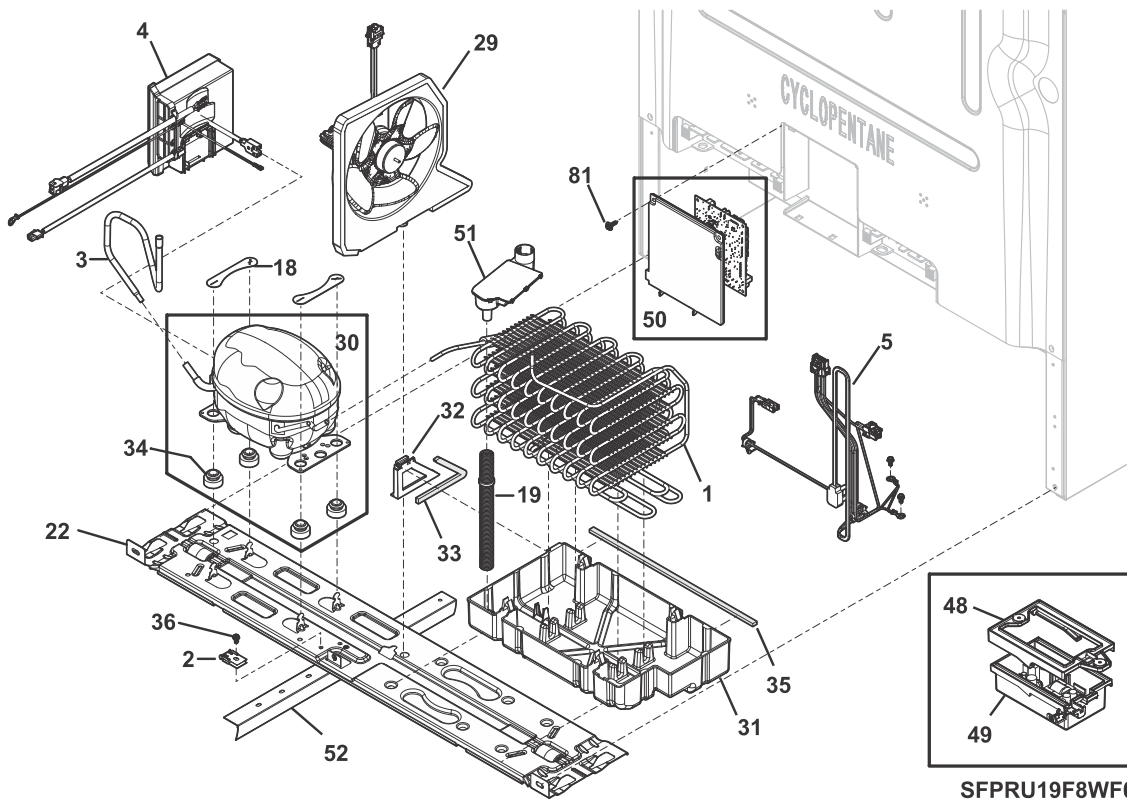
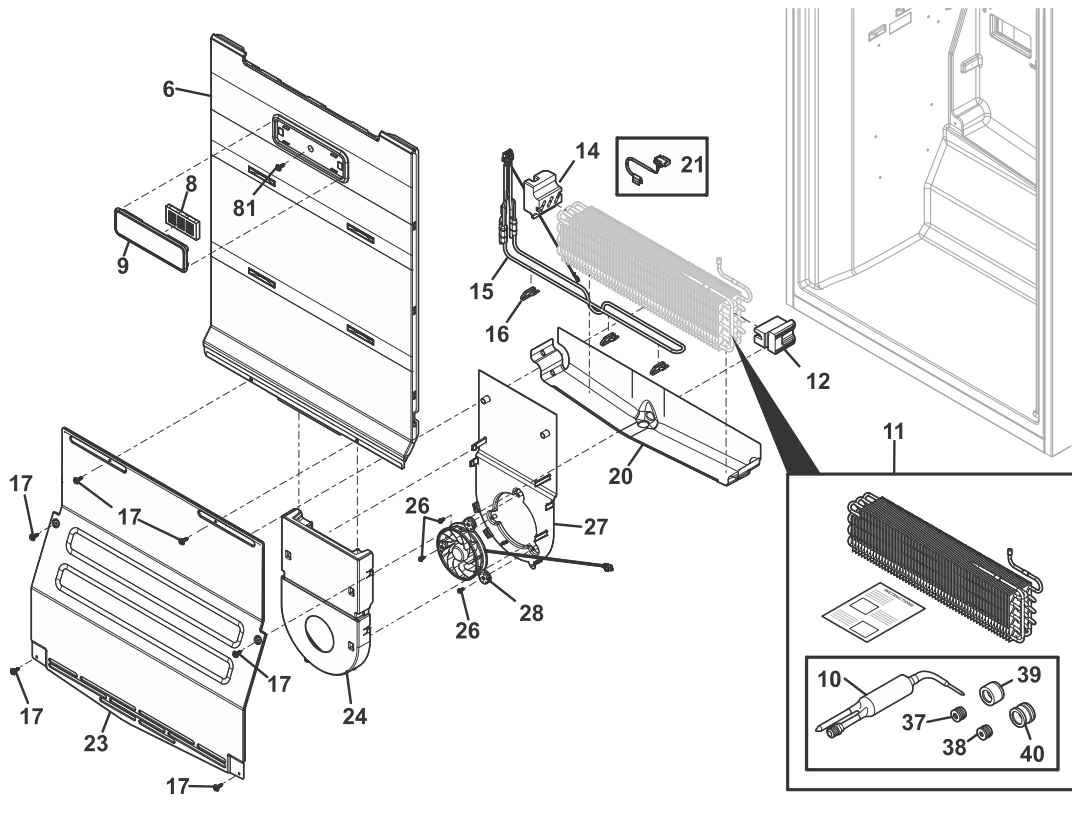


CEI33AR80WS0

**CABINET**

POS. NO	PART NO.	DESCRIPTION
1	5304524638	Cover, hinge, stainless, RH upper
2	5304524636	Hinge, door, RH upper
3	5304525238	Hinge Assembly, lower, RH
4	5304525236	Bearing Assembly, lower hinge, RH, w/stop
5	5304525237	Cover, hinge, RH lower
6	5304528813	Base, leveler leg, front
6A	5304528814	Nut, leg leveler
6B	5304528815	Foot, leg leveler
7	5304525858	Cover, access, machine compt.
8	5304522279	Screw, hex wsh hd quad, M5 x 16
9 #	5304524657	Light Assembly, LED, 2X upper, w/lens, PCB, harn
10 #	5304524656	Light Assembly, LED, 1X, w/lens, PCB, harn
11 #	5304524658	Light Assembly, LED, 3X, w/lens, PCB, harn
12	5304524762	Cover, reed switch, grey
13 #	242326001	Switch, reed
14	5304524760	Cover, sensor, grey
15 #	5303918775	Thermistor kit, temperature, NTC, w/connectors
16	241500304	Screw, hex washer head, 8-18AB x 0.625
17 #	5304524756	Valve, water, triple solenoid
17*	5304528818	Screw, shoulder, #8-18 x 5/8
18 #	5304528820	Tube, water, dispenser
19	5304528819	Clamp, dispenser tube, 7/16
20	5304524781	Glass, control cover
21 #	5304524716	Control Panel, assembly, w/light-UI PCB
22 #	5304524650	PC Board, LED cluster, polaris
23 #	5304524766	Harness, jumper, LED
24 #	5304524817	Manifold, water filter
25	EPPWUFU01	Elect Purepour, WF-1, water filter
26	5304524749	Cover, water filter
27	5304524838	Bracket, water filter
28	5304524840	Support, water filter
29	5304524710	Drawer Assembly, full width, lower, w/dividers
29A	5304525861	Divider, lower drawer, RH
29B	5304525862	Divider, lower drawer, LH
30	5304524707	Shelf Assembly, Slide Out, w/glass
31	241953901	Screw, quad hilo, #8-18 x 0.50
32	5304524703	Drawer Assembly, upper, w/trim
32*	5304525859	Cover, Absorber, ethylene
33	5304528817	Crisper Cover, assembly, w/glass-gasket
33*	5304525886	Gasket, cover, black, front
33*	5304528816	Gasket, crisper cover, rear
34	5304524670	Shelf Assembly, glass, w/trim
34*	297350900	Gasket, shelf
35	5304524842	Rail, shelf support, grey
36	5304519765	Screw, hx wash hd, M4.2 x 12
37	5304524854	Slide Assembly, 9 inch, grey, LH
38	5304524853	Slide Assembly, 9 inch, grey, RH
39	5304524856	Slide Assembly, 8 inch, grey, LH
40	5304524855	Slide Assembly, 8 inch, grey, RH
41	5304524845	Screw, quad hilo, 4.2x1.41x15.9, slide mtg
42 #	5304524692	Dispenser, assembly, water, w/switches
43 #	5304524659	Lamp Assembly, LED, dispenser
44	ELPAPKRF	Absorber, ethylene
45	5304525288	Screw, shoulder, M4.2 HI-LO QDRX
46	242220129	Hose, filter outlet
47	242220130	Hose, filter inlet
*	241705801	Spacer, shelf/wtr tube

**SYSTEM**



## SYSTEM

---

POS. NO	PART NO.	DESCRIPTION
1 #	5304523710	Condenser, dynamic
2	5304454459	Clamp-cable
3 #	5304524612	Tube, suction jumper
4 #	5304523779	Inverter, Flexdrive 2.2
5 #	5304523761	Harness, wiring, machine compt.
6	5304528047	Cover Assembly, air tower, w/air duct
8	242047805	Filter, air
9	5304524696	Cover, air filter, Electrolux
11 #	5303918873	Evaporator Kit, service, w/dryer, and lock rings
12	5304524954	Support, evaporator, RH
14	5304523832	Support, evaporator, LH
15 #	5304524953	Heater, defrost
16	5308000110	Strap-evap/heater, aluminum, (2)
17	5304524651	Screw, hex wsh hd, M4.2 x 16, grey
18	5304524607	Clamp, compressor
19	5304525042	Tube, drain, extension
20	5304524755	Trough, drain, evaporator
21 #	5304524828	Harness Assembly, defrost NTC
22	5304524791	Base Assembly, compressor, w/leg levelers
23	5304524720	Cover Assembly, evaporator, grey
24	5304528048	Cover Assembly, evap fan, w/air duct
26	240569202	Screw, 8-18 X .500
27	5304524782	Bracket, fan mounting
28 #	5304523741	Motor-fan, evaporator
29 #	5304519734	Fan Assembly, condenser, w/shroud-foam
30 #	5304523780	Compressor, assembly, TKD91E, w/grommets
31	5304523709	Pan, drain
31*	5304519744	Tape, drain pan, foam, front
32	5304519745	Baffle, drain pan, air block
33	5304519751	Seal, foam, air block
34	5304523829	Grommet, compressor
35	5304523724	Seal, drain pan, foam
36	240433204	Screw, hex washer head, 8-18 x 5/16
37	5304524187	Lock Ring, dryer out
38	5304524188	Lock Ring, evaporator in
39	5304524189	Lock Ring, evaporator out
40	5304524190	Lock Ring, jumper in
49 #	5304524866	PC Board, assembly, power supply, w/housing
50 #	5304524826	PC Board Assembly, main, w/housing
51	5303918878	Fan Seal & Drain Tube Kit
52	5304523694	Baffle, divider
81	5304519765	Screw, hx wash hd, M4.2 x 12
*	30534600	Clip, plastic, w/adhesive
*	218103403	Wire Tie
*	241500305	Screw, hex hd, #8-18 x 5/8
*	5304455650	Screw, hex washer head, 8-15A x 0.625, Low Profile
*	5304523801	Screw, hex wash hd, m4 x 10