



Electrolux

Factory Parts Catalog

Product No.	EI33AF80WS0
Series	R600a
Color	stainless
Volts	115V
Wiring Diagram	A19239201
Owner's Guide	A16366402
Market	North America
Energy Guide	A13007302
Mini Service Manual	A16331304
Quick Start Guide	A18624701
Ice Maker	243297610

 **Electrolux**

Electrolux Major Appliances

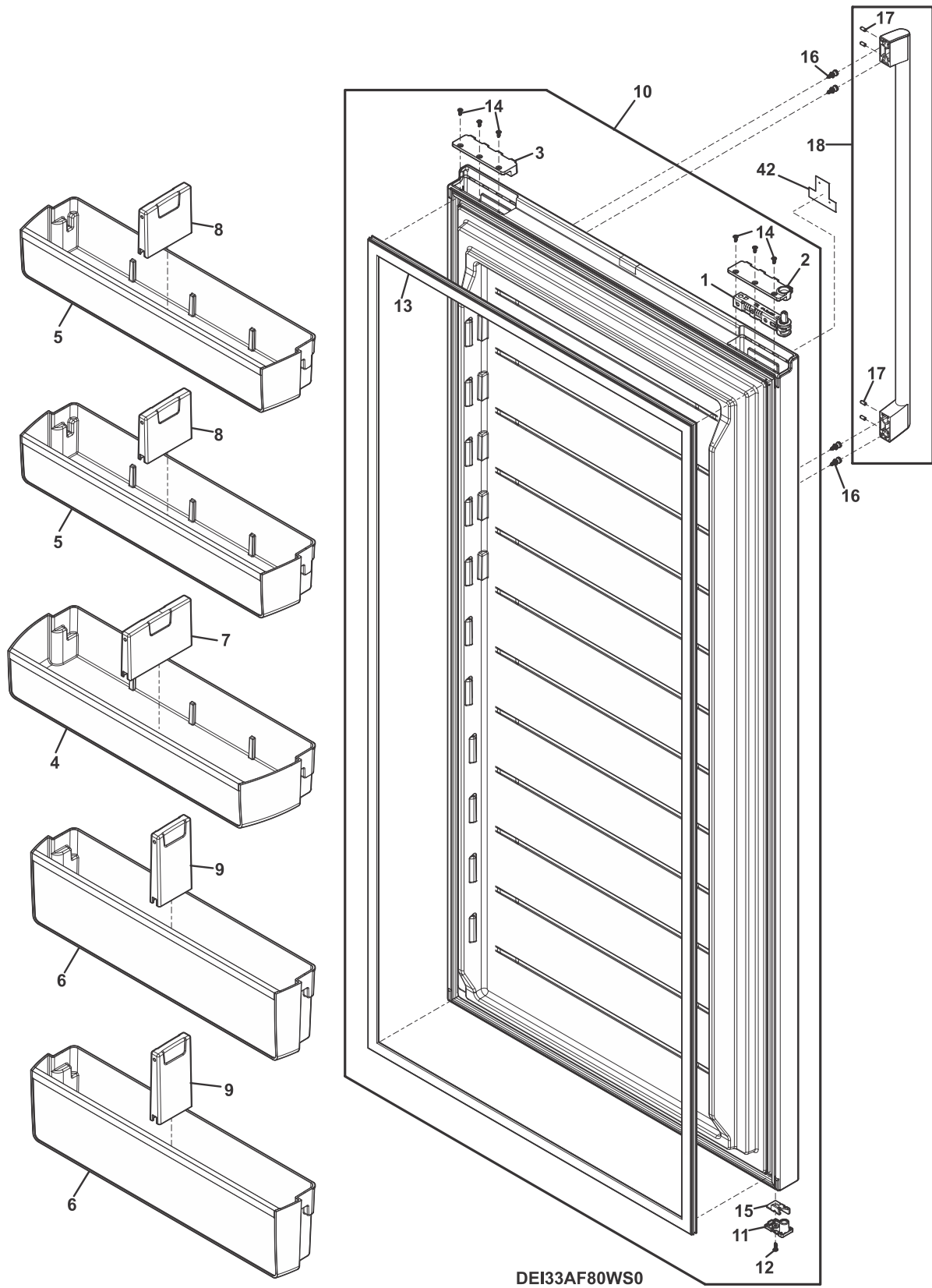
P.O. BOX 8020
CHARLOTTE, NC 28262

Publication No.
5995725271
21/01/27
(EN/SERVICE/ECL)
365

UPRIGHT FREEZER W/ICE MAKER

Model No.
EI33AF80W

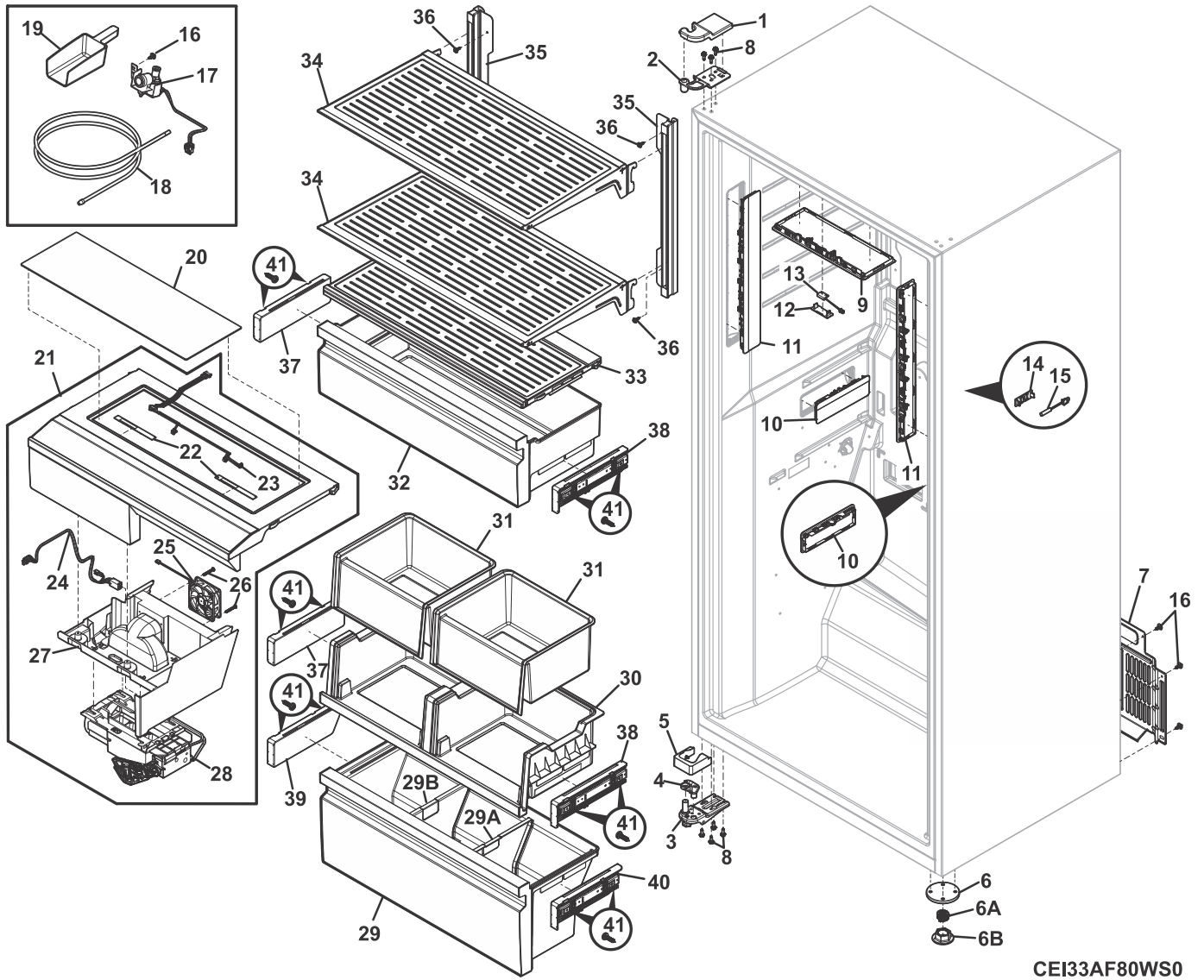
DOOR



DOOR

POS. NO	PART NO.	DESCRIPTION
1	5304524644	Closer Assembly, door, LH upper
2	5304524624	Cover, door cap, gray, LH, closer side
3	5304524625	Cover, door cap, gray, RH, non-closer side
4	5304524631	Bin, door, gallon
5	5304524632	Bin, door, 2 liter
6	5304524633	Bin, door, tall items
7	5304524846	Divider, gallon, door bin
8	5304524634	Divider, door bin, 2 liter
9	5304524635	Divider, door bin, tall items
10	5304524741	Door Assembly, LH swing, stainless
11	5304524745	Bearing, door, lower
12	241953903	Screw, door stop, lower
13	5304524888	Gasket, door, grey
14	241953902	Screw, quad hilo, #8-18 X 0.380
15	5304524768	Stop, door, lower bearing
16	218755504	Screw, shoulder, #10-AB, handle mounting
17	218755410	Screw-set, 10-32 x .354 in
17*	241601002	Wrench, allen
18	5304524807	Handle Assembly, stainless, w/set screws
42	5304524867	Label Assembly, nameplate, chrome, Electrolux

CABINET

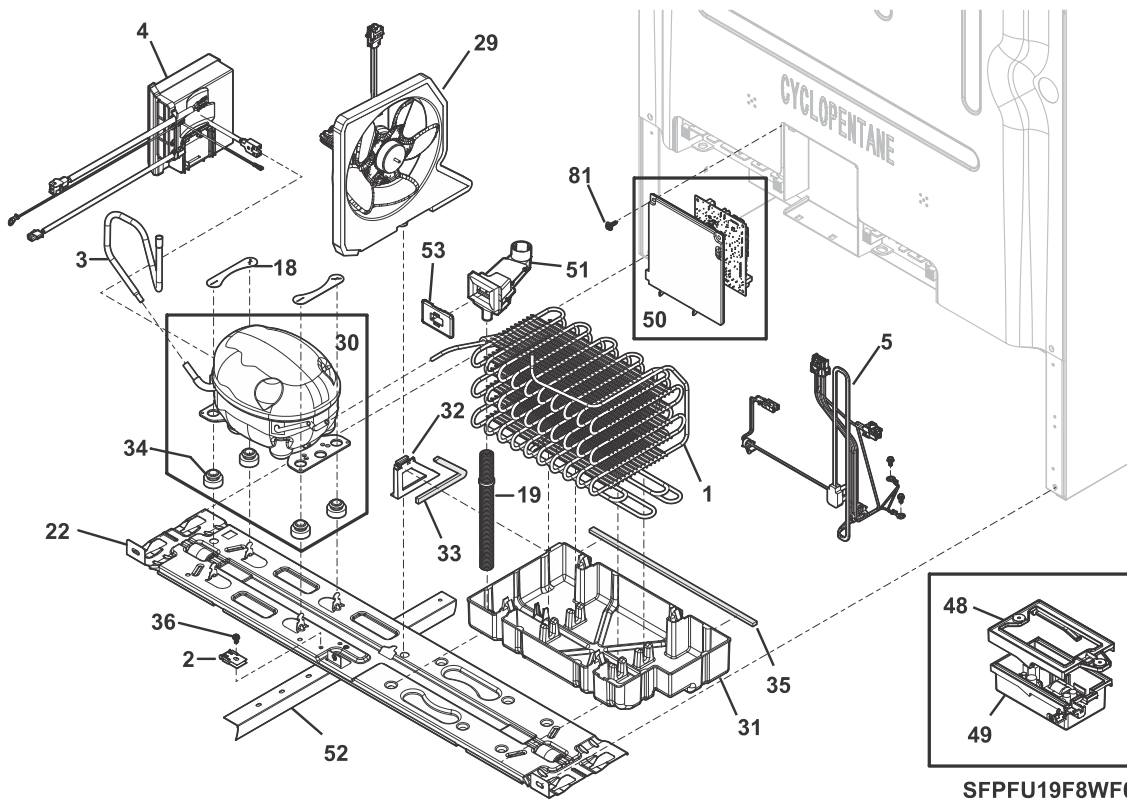
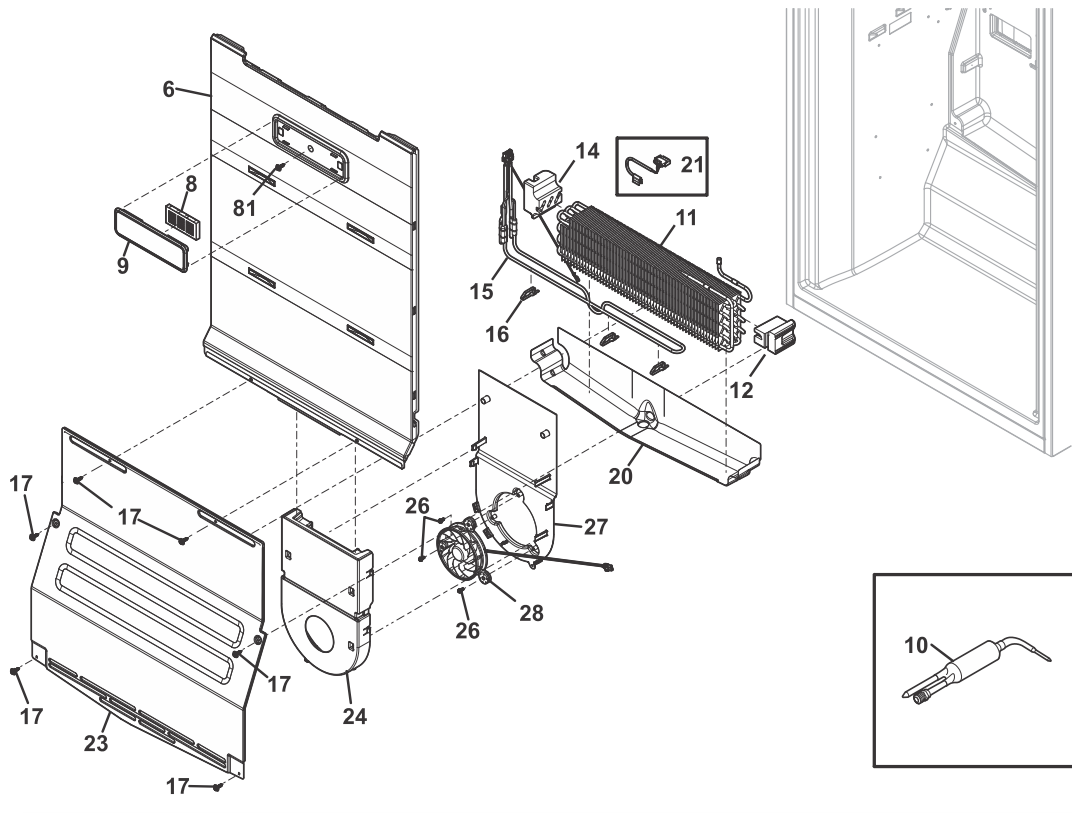


CEI33AF80WS0

CABINET

POS. NO	PART NO.	DESCRIPTION
1	5304524639	Cover, hinge, stainless, LH upper
2	5304524637	Hinge, door, LH upper
3	5304525229	Hinge Assembly, lower, LH
4	5304525227	Bearing Assembly, lower hinge, LH, w/stop
5	5304525228	Cover, hinge, LH lower
6	5304528813	Base, leveler leg, front
6A	5304528814	Nut, leg leveler
6B	5304528815	Foot, leg leveler
7	5304525858	Cover, access, machine compt.
8	5304522279	Screw, hex wsh hd quad, M5 x 16
9 #	5304524657	Light Assembly, LED, 2X upper, w/lens, PCB, harn
10 #	5304524656	Light Assembly, LED, 1X, w/lens, PCB, harn
11 #	5304524658	Light Assembly, LED, 3X, w/lens, PCB, harn
12	5304524762	Cover, reed switch, grey
13 #	242326001	Switch, reed
14	5304524760	Cover, sensor, grey
15 #	5303918775	Thermistor kit, temperature, NTC, w/connectors
16	241500305	Screw, hex hd, #8-18 x 5/8
17 #	5304520540	Valve, water, single solenoid
18	218976828	Tube, water
19	5304524712	Scoop, ice
20	5304524781	Glass, control cover
21 #	5304524717	Control cover, assembly, grey, complete
22 #	5304524650	PC Board, LED cluster, polaris
23 #	5304524766	Harness, jumper, LED
24 #	5304524779	Harness, inetrmediate, to ice maker
25 #	5304524796	Motor, fan, ice maker
26	241953905	Screw, 8-18 X 1.25
27	5304524653	Housing, ice maker, grey
28 #	243297610	Ice Maker, assembly, 6-pin
29	5304524710	Drawer Assembly, full width, lower, w/dividers
29A	5304525861	Divider, lower drawer, RH
29B	5304525862	Divider, lower drawer, LH
30	5304524709	Shelf Assembly, Slide Out
31	5304524711	Basket, ice
32	5304524704	Drawer Assembly, full width, upper
33	5304524684	Cover Assembly, crisper, upper, w/front gasket
33*	5304525886	Gasket, cover, black, front
34	5304524672	Shelf Assembly, metallic, grey rails
34*	297350900	Gasket, shelf
35	5304524842	Rail, shelf support, grey
36	5304519765	Screw, hx wash hd, M4.2 x 12
37	5304524854	Slide Assembly, 9 inch, grey, LH
38	5304524853	Slide Assembly, 9 inch, grey, RH
39	5304524856	Slide Assembly, 8 inch, grey, LH
40	5304524855	Slide Assembly, 8 inch, grey, RH
41	5304524845	Screw, quad hilo, 4.2x1.41x15.9, slide mtg

SYSTEM



SPPFU19F8WF0

SYSTEM

POS. NO	PART NO.	DESCRIPTION
1 #	5304523710	Condenser, dynamic
2	5304454459	Clamp-cable
3 #	5304522111	Tube, suction jumper
4 #	5304523779	Inverter, Flexdrive 2.2
5 #	5304523761	Harness, wiring, machine compt.
6	5304528047	Cover Assembly, air tower, w/air duct
8	ELPAULTRA2	Air filter, pure air ultra2, Elux
9	5304524696	Cover, air filter, Electrolux
10 #	A19676501	Filter, drier, service
11	5304523830	Evaporator, coil
12	5304524954	Support, evaporator, RH
14	5304523832	Support, evaporator, LH
15 #	5304524953	Heater, defrost
16	5308000110	Strap-evap/heater, aluminum, (2)
17	5304524651	Screw, hex wsh hd, M4.2 x 16, grey
18	5304524607	Clamp, compressor
19	5304525042	Tube, drain, extension
20	5304524755	Trough, drain, evaporator
21 #	5304524828	Harness Assembly, defrost NTC
22	5304524791	Base Assembly, compressor, w/leg levelers
23	5304524720	Cover Assembly, evaporator, grey
24	5304528048	Cover Assembly, evap fan, w/air duct
26	240569202	Screw, 8-18 X .500
27	5304524782	Bracket, fan mounting
28 #	5304523741	Motor-fan, evaporator
29 #	5304519734	Fan Assembly, condenser, w/shroud-foam
30 #	5304523780	Compressor, assembly, TKD91E, w/grommets
31	5304523709	Pan, drain
31*	5304519744	Tape, drain pan, foam, front
32	5304519745	Baffle, drain pan, air block
33	5304519751	Seal, foam, air block
34	5304523829	Grommet, compressor
35	5304523724	Seal, drain pan, foam
36	240433204	Screw, hex washer head, 8-18 x 5/16
48	5304524865	Frame, power supply
49 #	5304524866	PC Board, assembly, power supply, w/housing
50 #	5304524827	PC Board, assembly, main, w/housing
51	5304525745	Drain Jumper, assembly, w/seal
52	5304523694	Baffle, divider
53	5304525744	Cover, drain jumper
81	5304519765	Screw, hx wash hd, M4.2 x 12
*	30534600	Clip, plastic, w/adhesive
*	218103403	Wire Tie
*	241500304	Screw, hex washer head, 8-18AB x 0.625
*	5304455650	Screw, hex washer head, 8-15A x 0.625, Low Profile
*	5304523801	Screw, hex wash hd, m4 x 10