



FRIGIDAIRE

Factory Parts Catalog

Product No.	FGID2468UD2A	FGID2468UF2A
Series	Built-in 24"	Built-in 24"
Color	black stainless	stainless
Owner's Guide English	A13290601	A13290601
Owner's Guide Spanish	A13290603	A13290603
Owner's Guide French	A13290602	A13290602
Service Data Sheet	A13762001	A13762001
Energy Guide	808612227	808612227
Installation Instructions	154427301	154427301
Market	North America	North America

Frigidaire

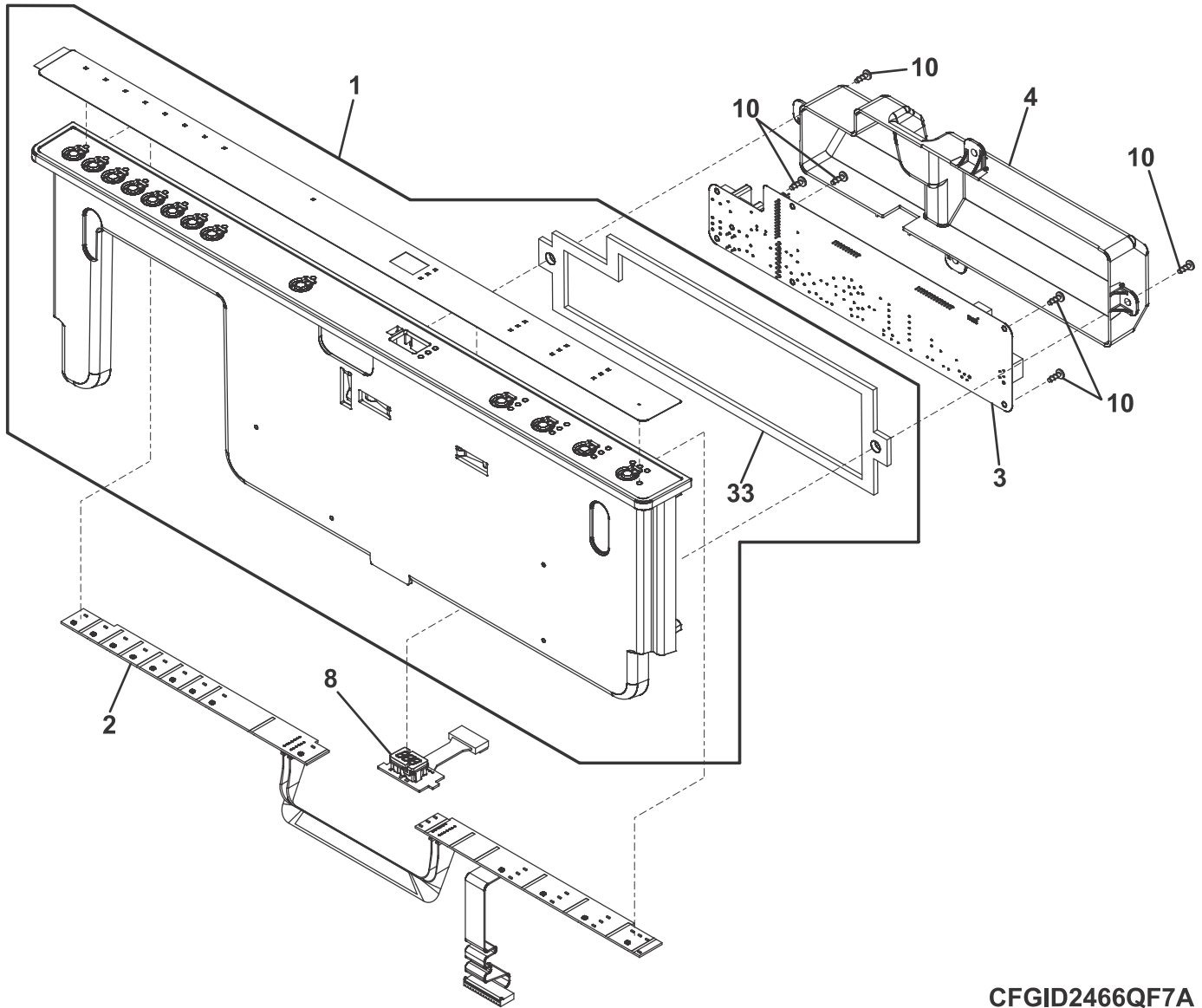
P.O. BOX 8020
CHARLOTTE, NC 28262

Publication No.
5995724340
20/10/13
(EN/SERVICE/ECL)
821

24-INCH BUILT-IN DISHWASHER

Model No.
FGID2468U

CONTROL PANEL



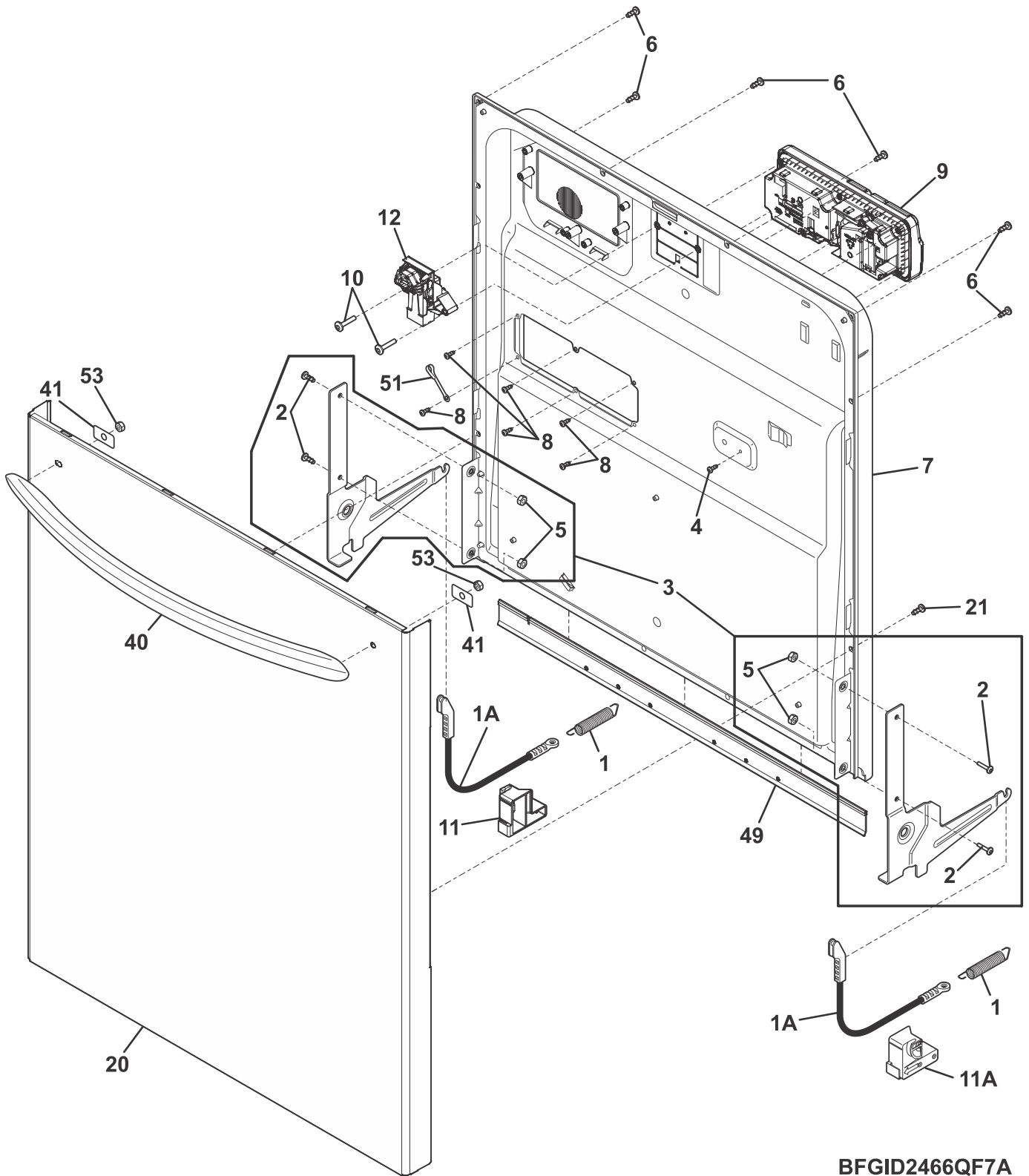
CFGID2466QF7A

CONTROL PANEL

Model Index: **A** FGID2468U (FGID2468UD2A)
 B FGID2468U (FGID2468UF2A)

POS. NO	PART NO.		DESCRIPTION
1 #	5304520552	A B	Console Assembly, w/overlay, black, & cover gasket
2 #	5304517587	A B	Switch Assembly, PCB tactile, w/harnesses
3 #	5304517594	A B	Board, control
4	5304517614	A B	Cover, control
8 #	5304517591	A B	Display Assembly, digital
10	154294701	A B	Screw, #7 plas .375, (6), disp. assy.
33	154478901	A B	Gasket, cover
* #	5304526752	A B	Harness Assembly, main, w/latch, and high limit, thermostat

DOOR



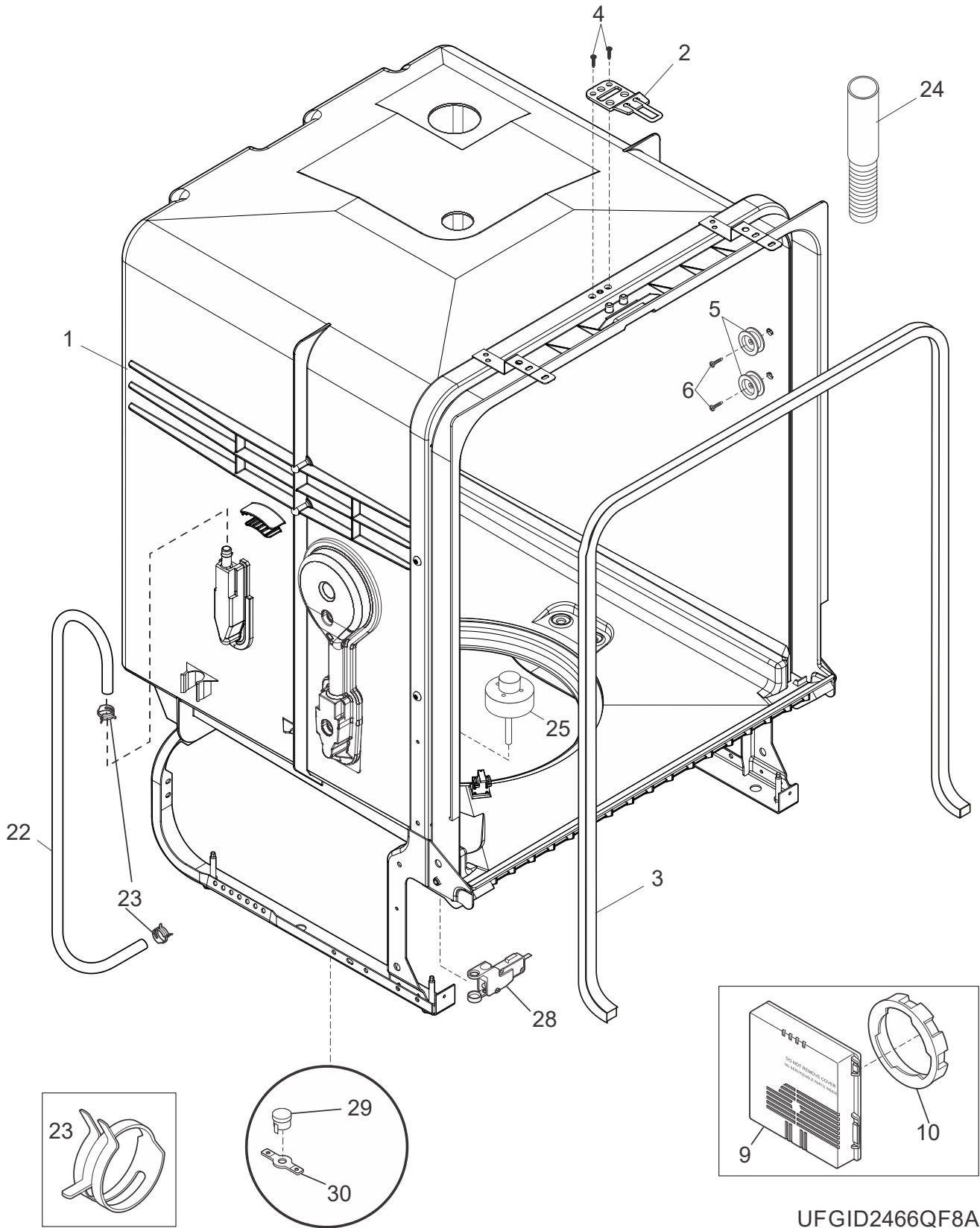
BFGID2466QF7A

DOOR

Model Index: **A** FGID2468U (FGID2468UD2A)
 B FGID2468U (FGID2468UF2A)

POS. NO	PART NO.		DESCRIPTION
1	154579101	A B	Spring, friction pulley, (2)
1A	154578801	A B	Cable, friction pulley, (2)
2	154093301	A B	Screw, arm assy, (4)
3	5304513274	A B	Counterbalance Arm, kit, LH & RH, w/screws-nuts
*	154647101	A B	Hinge Pin, arm assy
*	154686401	A B	Bearing, hinge pin
4	154825401	A B	Screw, hex hd, 8-18 x .4, w/washer
5	154079601	A B	Nut, arm assy, and handle mtg.
6	154783101	A B	Screw, PLT, 8-10
7	5304520007	A B	Liner Assembly, door, w/wiper, & reinforcement
8	154294701	A B	Screw, #7 plas .375, (6), disp. assy.
9 #	5304506521	A B	Dispenser, det/rinse aid, w/level ind.
9*	5304525214	A B	Shield, dispenser assy
10	154103702	A B	Screw, latch mtg, (2)
11	154579201	A B	Pulley, friction, LH
11A	154579202	A B	Pulley, friction, RH
12 #	5304525218	A B	Latch Assembly, service kit, w/connectors, and heatshrink
20	807278513	A -	Door Assembly, w/insulation, black stainless
20	807278514	- B	Door Assembly, w/insulation, stainless
21	154754701	A B	Screw, truss hd, 8-18 type AB
40	154724906	A -	Handle, towel bar, black stainless
40	154724905	- B	Handle, towel bar, stainless
41	154760101	A B	Bracket, handle support, (2)
49	5304500204	A B	Gasket, door, bottom
51	154320301	A B	Clamp, drip loop, wire
53	154425001	A B	Nut, Keps, (2), handle mtg.

TUB



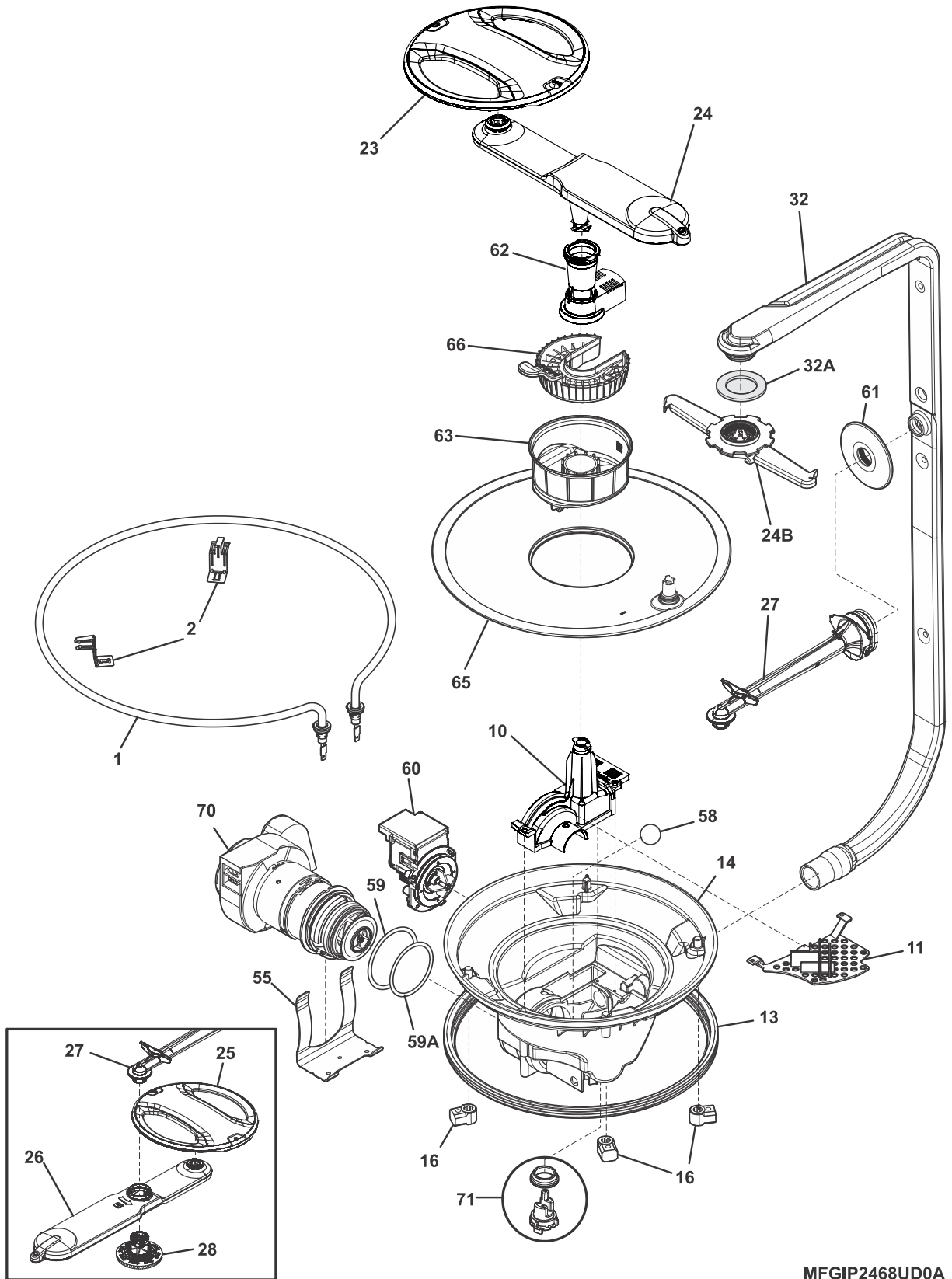
UFGID2466QF8A

TUB

Model Index: **A** FGID2468U (FGID2468UD2A)
 B FGID2468U (FGID2468UF2A)

POS. NO	PART NO.		DESCRIPTION
1 #	5304518987	A B	Tub assy, w/frame parts, dark gray, & vent hole
2	5304523191	A B	Strike, door latch
3 #	154827601	A B	Gasket, tub
4	808326801	A B	Screw, hex head, 8-18 x .400, (2)
5	154767502	A B	Roller Assembly, tub, (8), w/screw-washer
6	5303943103	A B	Screw, w/washer, (8)
9 #	5304523304	A B	Vent Assembly, blower
9*	154691601	A B	Cover, connector, vent assy
10	154562902	A B	Bezel, vent, gray
22	5304523457	A B	Tubing, inlet water
23	5303318539	A B	Clamp, tubing, (2)
24	807117001	A B	Hose, drain
*	154380601	A B	Clamp, hose, 1.5" open, worm gear, (5)
25	5304506520	A B	Float
28 #	154773201	A B	Switch Assy, float
29 #	5304525221	A B	Thermostat, service kit, high limit, w/connectors, and heatshrink
30	154241101	A B	Retainer, thermostat
30*	154297701	A B	Screw, retainer-thermo
*	5304517603	A B	Insulation, tub blanket
*	154406801	A B	Bracket Kit, countertop mtg, w/scrws & instr
*	154041001	A B	Screw, plask #1, 10-10 x 9/16
*	5300807270	A B	Screw, (2), countertop mtg.

MOTOR & PUMP



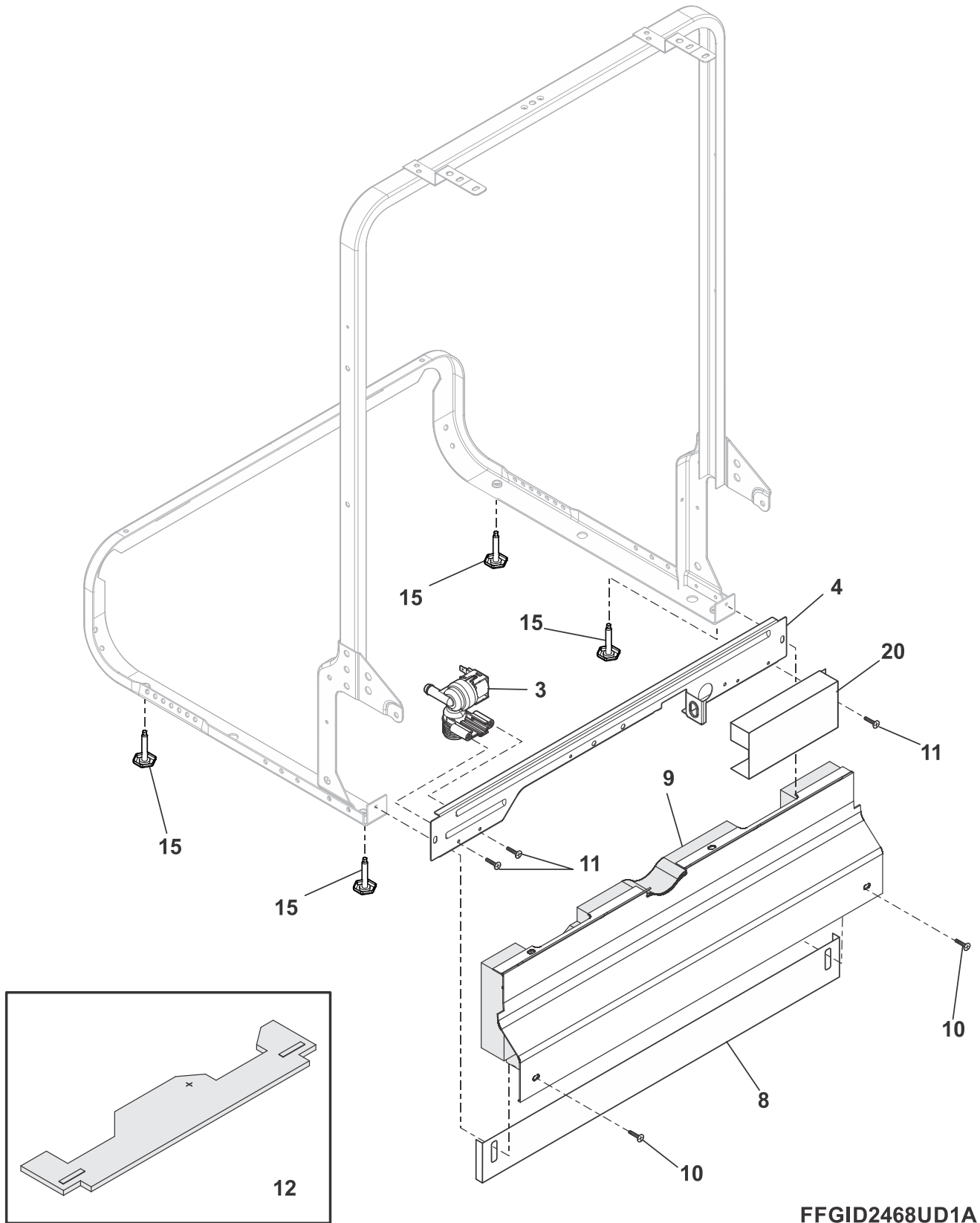
MFGIP2468UD0A

MOTOR & PUMP

Model Index: A FGID2468U (FGID2468UD2A)
 B FGID2468U (FGID2468UF2A)

POS. NO	PART NO.		DESCRIPTION
1 #	154825001	A B	Heater, round
1*	154106202	A B	Nut, heater, (2)
1*	154289801	A B	Shield, heater terminal
2	154465101	A B	Bracket, heater, (2)
10	5304517590	A B	Cover, volute
*	154783101	A B	Screw, PLT, 8-10
11	807111601	A B	Plate, pump inlet
13	154246801	A B	Gasket, sump
14	154723801	A B	Sump Assembly
16	154246502	A B	Retainer, sump
16*	154754901	A B	Screw, sump mtg, 8-16, (4)
23 #	5304517982	A B	Orbital Sprayer, assembly, blue, lower arm, w/heat shield
24 #	5304517981	A B	Arm, orbital sprayer, grey, lower, w/weight
24B#	5304506516	A B	Spray arm, assembly, upper
25	5304517890	A B	Orbital Sprayer, assembly, blue, middle arm
26	5304517891	A B	Arm, orbital sprayer, grey, middle, w/weight
27	5304517892	A B	Manifold Assembly, spray arm, middle, w/bellow
28	5304517893	A B	Lock Nut, spray arm, middle
32	154824201	A B	Tube, delivery
32*	154106801	A B	Clamp, hose, 1.29" open, worm gear, (2)
32*	154491101	A B	Screw, delivery tube
32A	154406401	A B	Gasket, delivery tube
55	154595901	A B	Bracket, motor
55*	154779601	A B	Screw, PH, 8-10, (2)
58	154246402	A B	Check ball
59	154246901	A B	O-ring, rear
59A	154247001	A B	O-ring, front
60 #	5304492415	A B	Drain Pump Assy
60*	807048001	A B	Flapper, valve
60*	154741501	A B	Screw, drain motor mtg, (3)
61	5304506517	A B	Grommet, delivery tube
62	5304517589	A B	Support, lower arm
63	5304506533	A B	Base, soil director
65	154283005	A B	Filter Assy, grey
66	5304506518	A B	Trap, glass
70 #	5304526748	A B	Motor & Pump Assy, variable speed
71 #	154762601	A B	Sensor, turbidity, snap-in, w/seal

FRAME



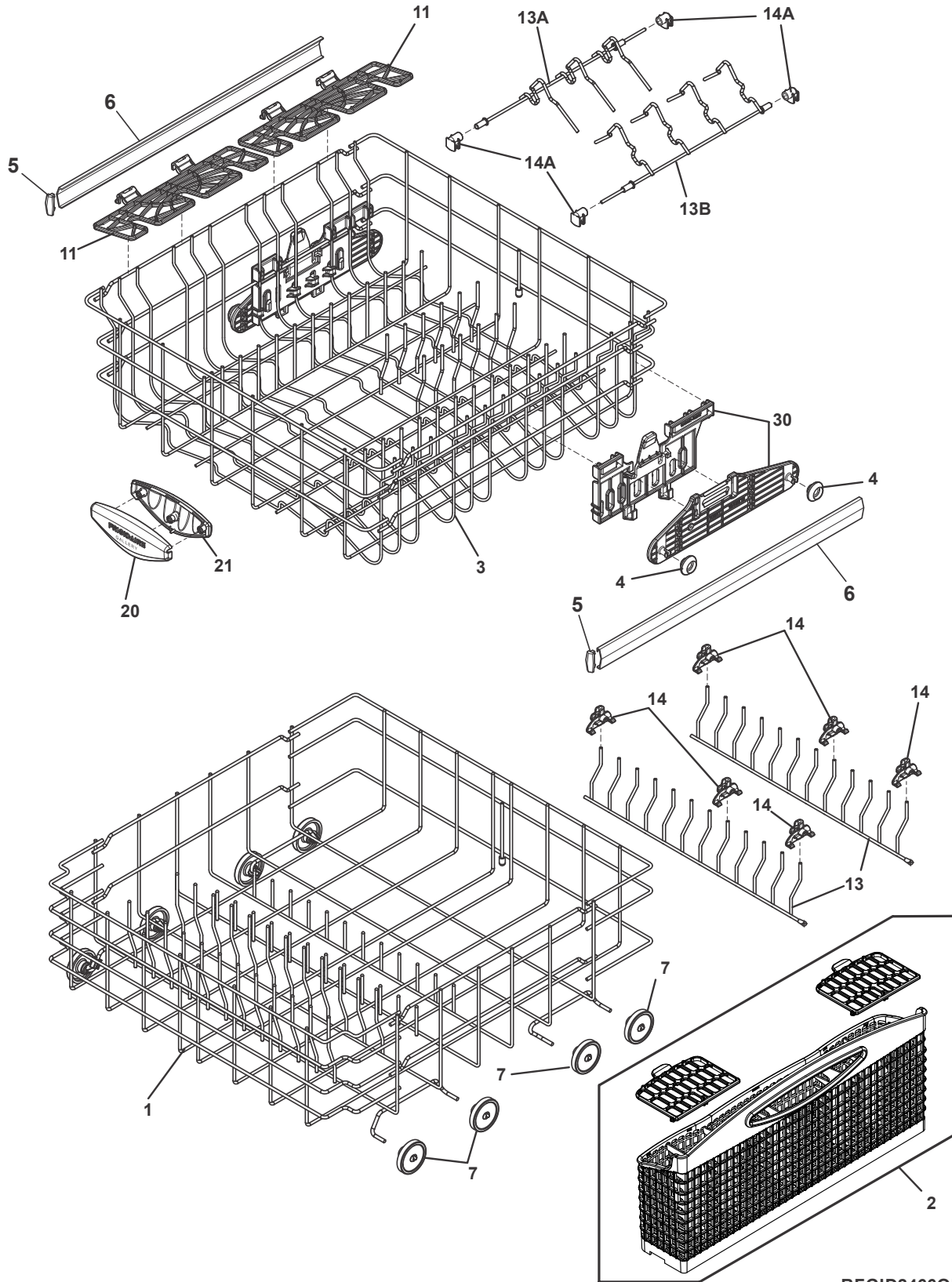
FFGID2468UD1A

FRAME

Model Index: **A** FGID2468U (FGID2468UD2A)
 B FGID2468U (FGID2468UF2A)

POS. NO	PART NO.		DESCRIPTION
3 #	5304525044	A B	Valve, water inlet
3*	154106801	A B	Clamp, hose, 1.29" open, worm gear, (2)
4	5304508587	A B	Brace, front frame
8	154745503	A B	Toeplate, adjustable, black
9	5304517626	A B	Kickplate Assy, PVC, black, w/insulation
10	154754801	A B	Screw, toeplate mtg, 8-18 AB hex hd, black, (2)
11	154200701	A B	Screw, #10-32 x 3/8
11A	154825401	A B	Screw, hex hd, 8-18 x .4, w/washer
12	5304517605	A B	Insulation, Absorber, bottom
15	5304506540	A B	Leg, leveling, 1/4-20
20	154758501	A B	Cover, junction box, w/label
*	154041001	A B	Screw, plask #1, 10-10 x 9/16
*	808690701	A B	Screw, Plask1, #10-10 x 9/16, (2)

RACKS



RFID2466QF8A

RACKS

Model Index: **A** FGID2468U (FGID2468UD2A)
 B FGID2468U (FGID2468UF2A)

POS. NO	PART NO.		DESCRIPTION
1	808602402	A B	Rack Assembly, lower, silver
2	5304521739	A B	Basket Assembly, silverware, w/2 lids
3	5304498205	A B	Rack Assembly, upper
4	5304507440	A B	Wheel assy., upper rack, (4)
5	5304506510	A B	Cap, rack slide
6	154597801	A B	Slide, rack, upper, (2)
7	5304521179	A B	Wheel & bushing assy, lower rack, (8)
11	5304506507	A B	Cup Shelf, stemware
13	5304507394	A B	Fence, fold down, lower rack, (2), full length
13A	5304506534	A B	Fence, multi, 3 wire, grey, LH
13B	5304506535	A B	Fence, multi, 4 wire, grey, RH
14	5304507395	A B	Bracket, fold down fence, lower rack, (6)
14A	5304506508	A B	Bracket, multifence, upper rack
20	5304506509	A B	Handle, front, upper rack
21	5304504913	A B	Handle, rear, upper rack
30	5304506530	A B	Rack Adjustment, assembly, grey, RH, w/rollers
30*	5304506531	A B	Rack Adjustment, assembly, grey, LH, w/rollers

WIRING DIAGRAM

