



Electrolux

Factory Parts Catalog



Product No.	EI12BF25US
Series	11 cuft. BF
Color	stainless
Volts	115
Owner's Guide	A14363701
Market	North America

 **Electrolux**

Electrolux Major Appliances

P.O. BOX 8020
CHARLOTTE, NC 28262

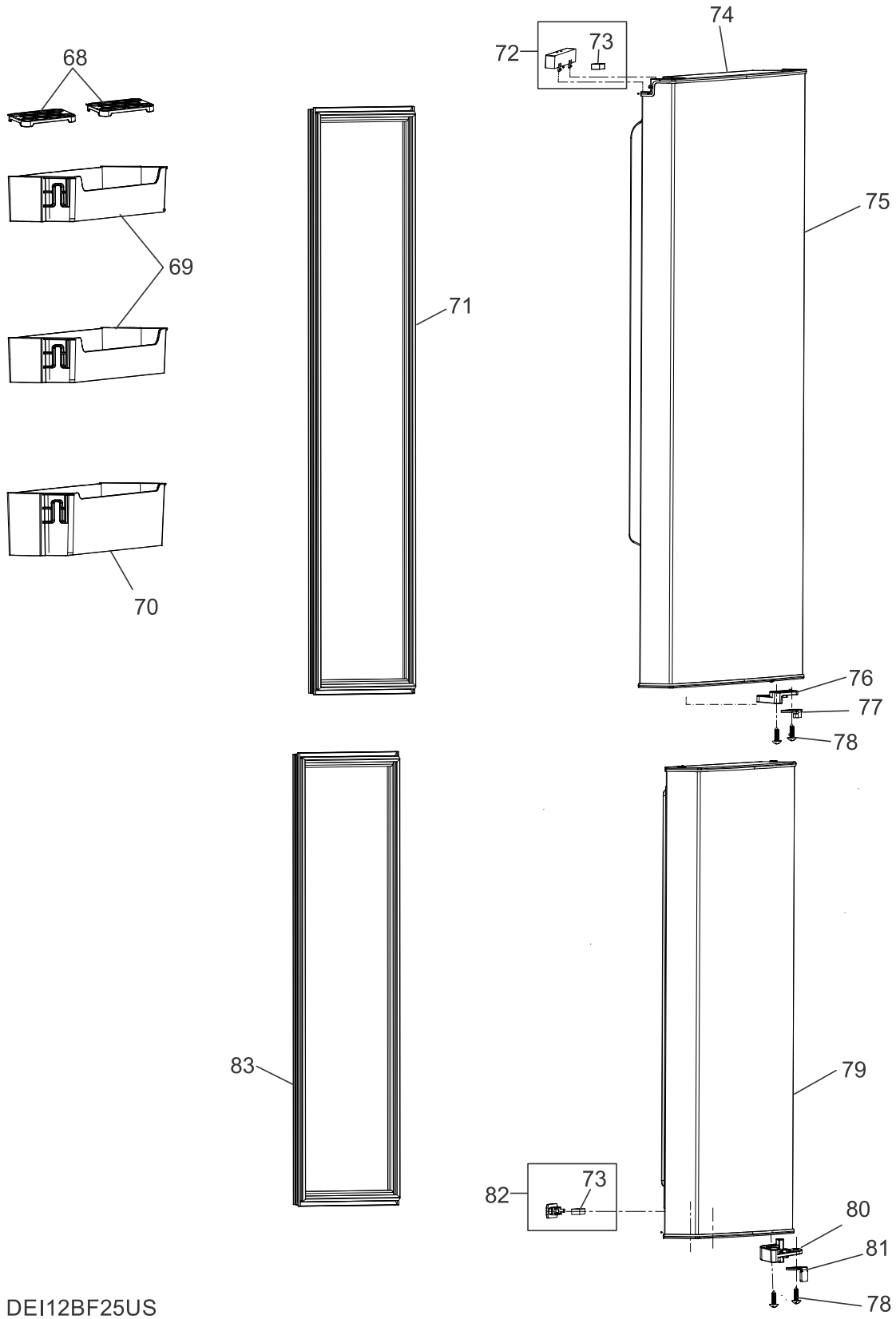
**This Publication Replaces
Publication # 5995707857**

Publication No.
5995724290
20/10/08
(EN/SERVICE/ECL)
390

BOTTOM FREEZER REFRIGERATOR

Model No.
EI12BF25U

DOORS

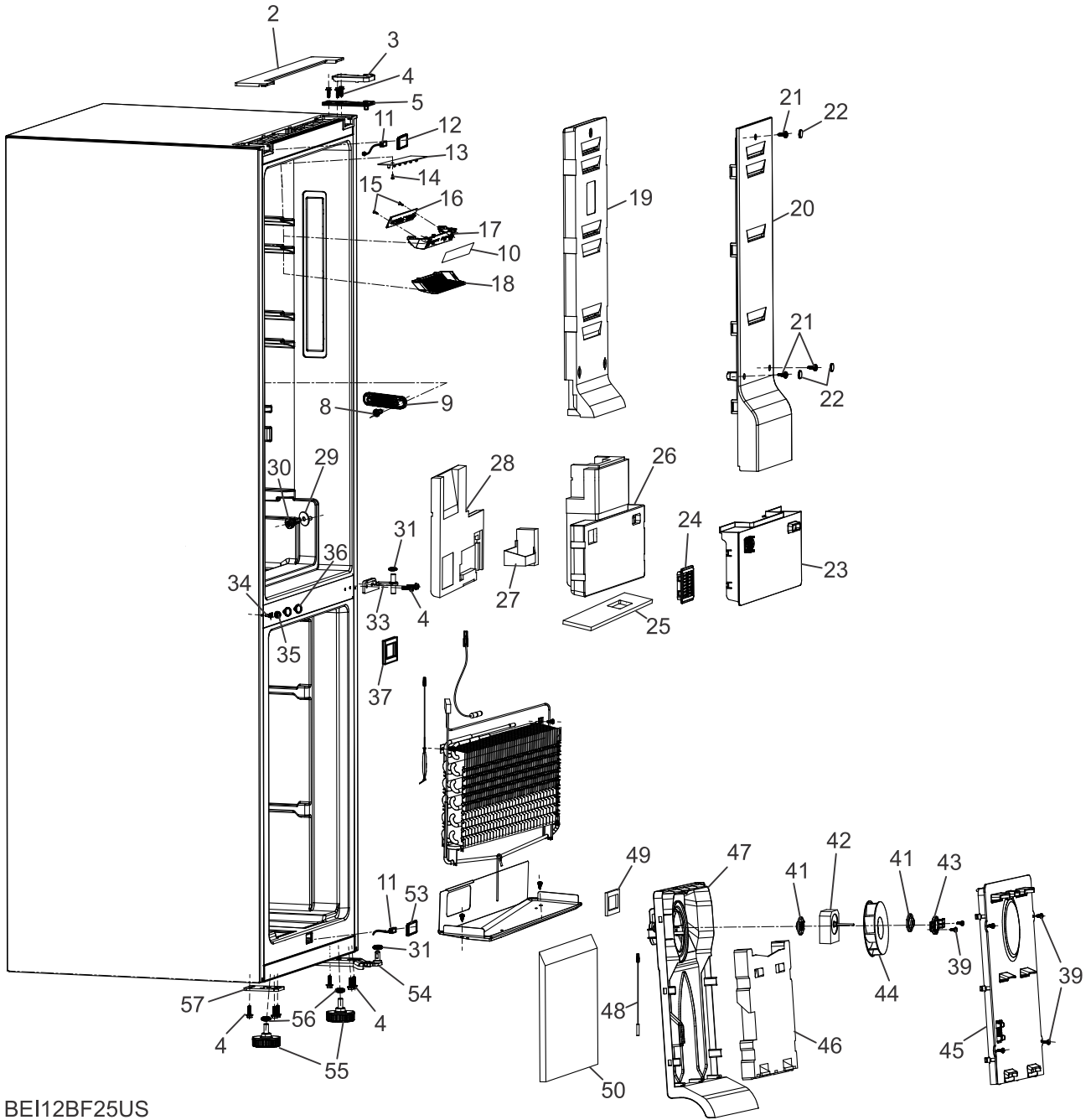


DEI12BF25US

DOORS

POS. NO	PART NO.	DESCRIPTION
68	5304519512	Tray, egg, (2)
69	5304519513	Bin, door, small
70	5304519514	Bin, door, large
71	5304519515	Gasket, door, fresh food
72	5304526174	Magnet Assembly, upper door, w/cover
73	5304519517	Magnet, door, (2)
74	5304519518	Cover, door, fresh food, upper
75	5304519519	Door Assembly, fresh food, stainless
76	5304519520	Stopper, door, fresh food, RH swing
76*	5304519521	Stopper, door, fresh food, LH swing
77	5304519522	Stop, door, fresh food
78	5304519523	Screw, self tapping, (4)
79	5304519524	Door Assembly, freezer, stainless
80	5304519525	Stopper, door, freezer
81	5304519526	Bracket, stop, freezer door
82	5304526175	Magnet Assembly, lower door, w/cover
83	5304519528	Gasket, door, freezer

CABINET

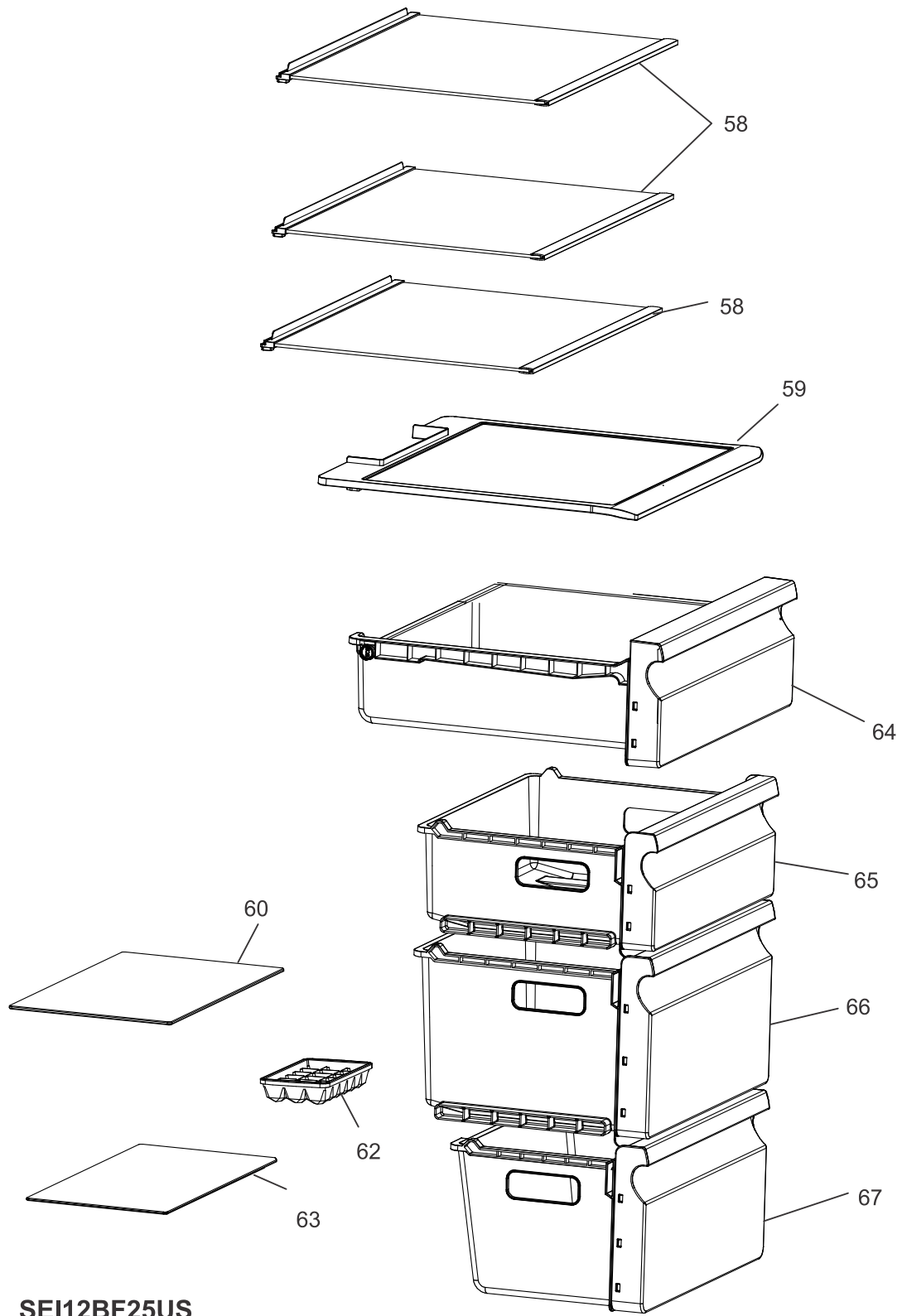


BEI12BF25US

CABINET

POS. NO	PART NO.	DESCRIPTION
2	5304519529	Cover, cabinet, upper
3	5304519530	Cover, upper hinge, RH swing
3*	5304519531	Cover, upper hinge, LH swing
4	5304519532	Screw, self tapping, (11), special flange
5	5304519533	Hinge, door, upper
8	5304519534	Screw, self tapping
9	5304519535	Button, insulation
10	5304519536	Overlay, button display
11 #	5304519537	Switch, reed, (2)
12	5304519538	Cover, reed switch, LH upper
12*	5304519539	Cover, reed switch, RH upper
13 #	5304519540	Lamp, LED
14	5304519541	Screw, self tapping
15	5304519542	Screw, self tapping, (2)
16 #	5304519543	PC Board, display
17	5304519544	Housing, display board
18	5304519545	Cover, lamp
19	5304519546	Insulation, air duct, upper
20	5304519547	Cover, air duct, upper
21	5304519548	Screw, self tapping, (3)
22	5304519549	Cover, screw hole, (3)
23	5304519550	Cover, air duct, lower
24	5304519551	Cover, air return, fresh food
25	5304519552	Seal, air duct, lower
26	5304519553	Insulation, air duct, lower
27 #	5304519554	Damper, assembly
28	5304519555	Insulation, damper
29	5304519556	Washer, (2)
30	5304519557	Roller, drawer, (2)
31	5304519558	Washer, hinge pin, (2)
33	5304519559	Hinge, middle
34	5304519560	Screw, self tapping
35	5304519561	Cover, screw hole
36	5304519562	Cover, screw hole, (2)
37	5304519563	Washer, sealing
39	5304519564	Screw, self tapping, (10)
41	5304519565	Grommet, fan motor, (2)
42 #	5304519566	Motor, evaporator fan
43	5304519567	Support, fan motor
44	5304519568	Blade, fan
45	5304519569	Cover, air duct, freezer
46	5304519570	Insulation, air duct, freezer
47	5304519571	Duct, air, freezer
48 #	5304519572	Sensor, temperature
49	5304519573	Washer, sealing
50	5304519574	Block, sponge
53	5304519575	Cover, reed switch, lower
54	5304519576	Hinge, lower
55	5304519577	Foot, leveling, (2), adjustable
56	5304519578	Cushion, leveling foot, (2)
57	5304519579	Bracket, leveling foot

SHELVES

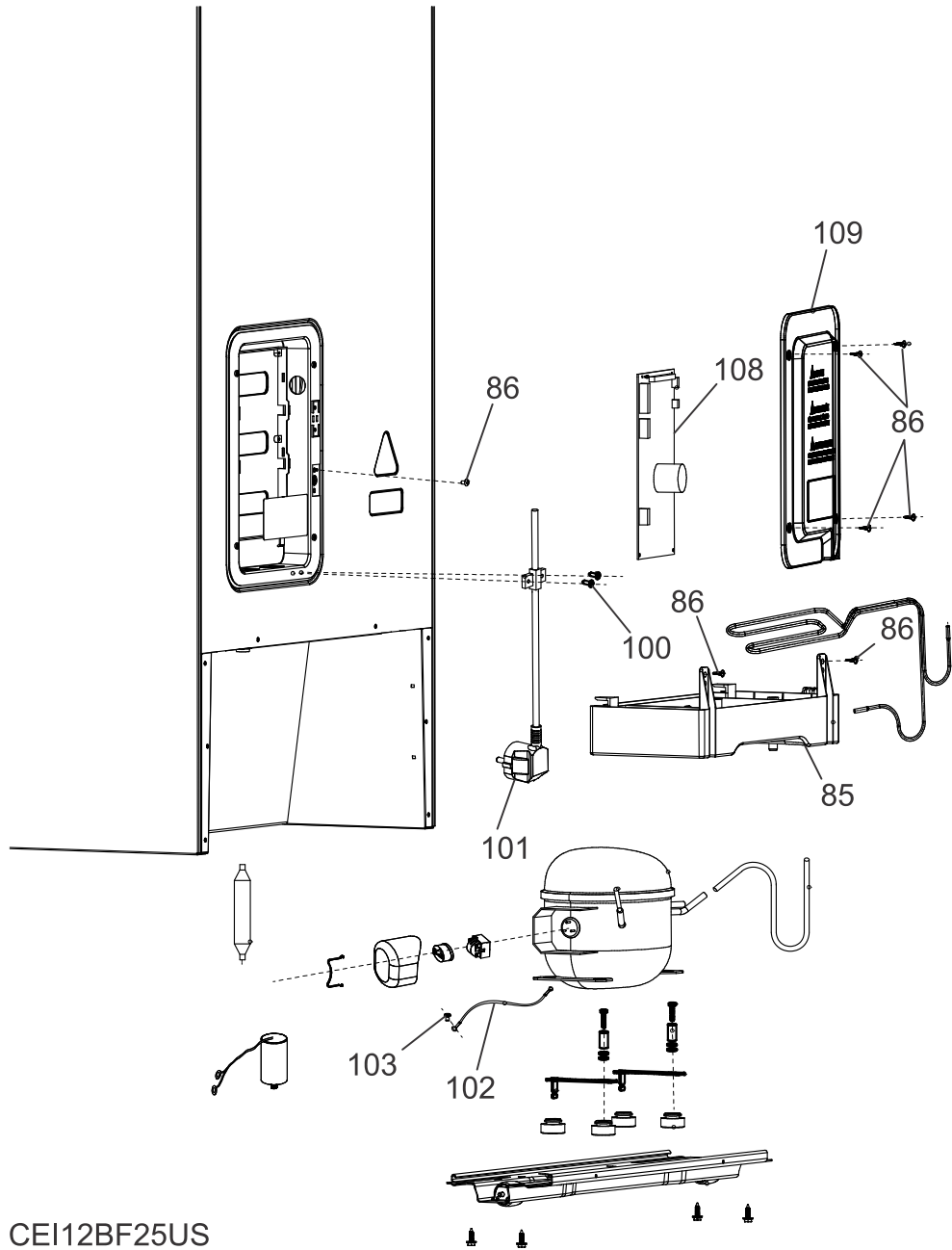


SEI12BF25US

SHELVES

POS. NO	PART NO.	DESCRIPTION
58	5304519580	Shelf, assembly, glass, (3)
59	5304519581	Cover Assembly, crisper, glass
60	5304519582	Shelf, freezer, glass, upper
62	5304519583	Tray, ice
63	5304519584	Shelf, freezer, glass, lower
64	5304519585	Drawer, crisper
65	5304519586	Drawer, freezer, upper
66	5304519587	Drawer, freezer, middle
67	5304519588	Drawer, freezer, lower

MACHINE COMPARTMENT



CEI12BF25US

MACHINE COMPARTMENT

POS. NO	PART NO.	DESCRIPTION
85	5304519590	Pan, drain
86	5304519591	Screw, self tapping, (8)
100	5304519592	Screw, self tapping, (2)
101#	5304519593	Power Cord, electric, service
102	5304519594	Wire, grounding
103	5304519595	Screw, ground
108#	5304519596	PC Board, control, main
109	5304519597	Cover, control board