



FRIGIDAIRE

Factory Parts Catalog

Product No.	FFFU20F4VN0	FFFU20F4VW0
Series	Frigidaire	Frigidaire
Color	carbon	white
Volts	115	115
Owner's Guide	A12735803	A12735803
Market	North America	North America
Energy Guide	A10298739	A10298739
Service Data Sheet	A14310902	A14310902
Quick Start Guide	A17275603	A17275603

Frigidaire

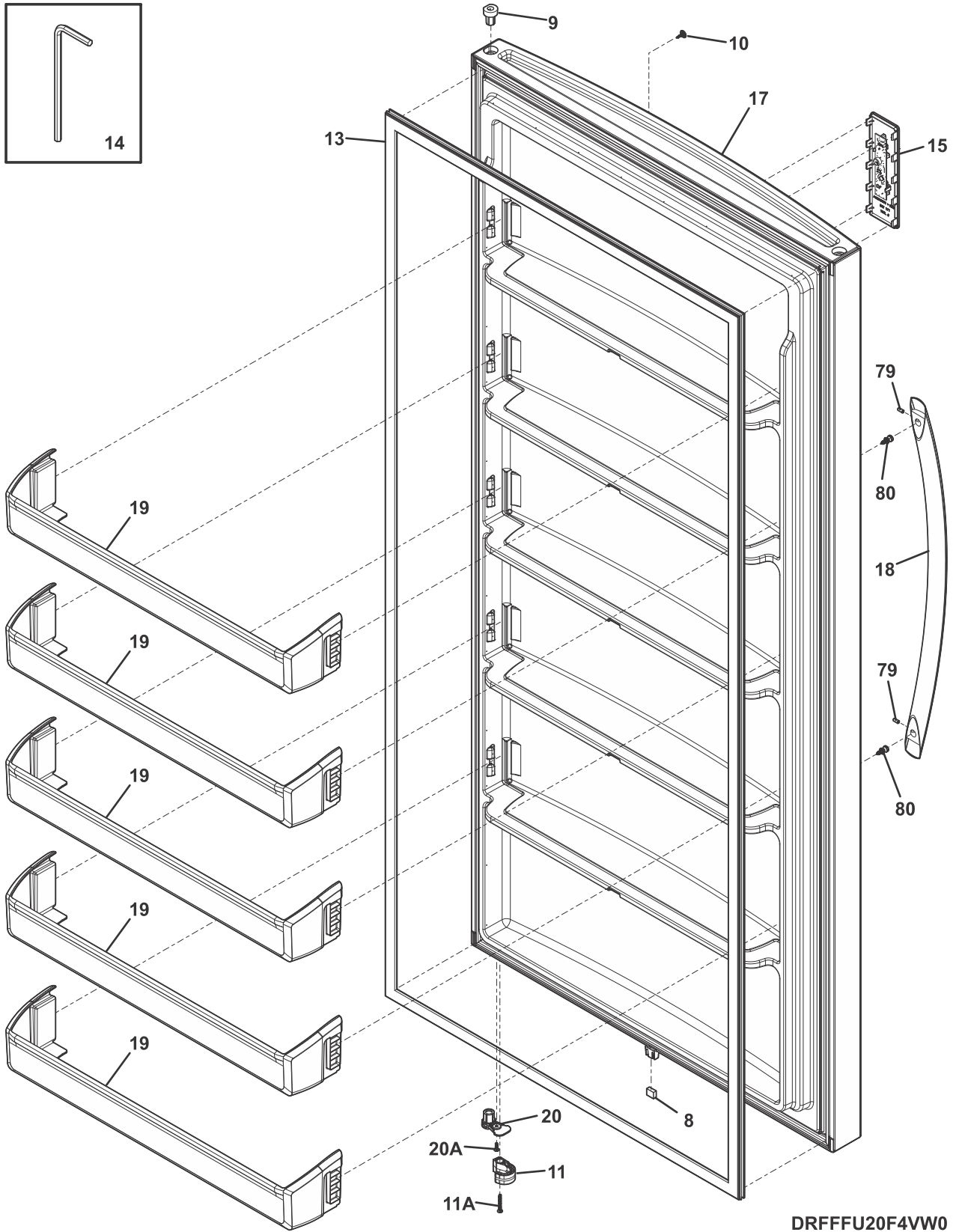
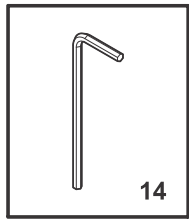
P.O. BOX 8020
CHARLOTTE, NC 28262

Publication No.
5995719902
20/01/30
(EN/SERVICE/ECL)
365

UPRIGHT FREEZER

Model No.
FFFU20F4V

DOOR



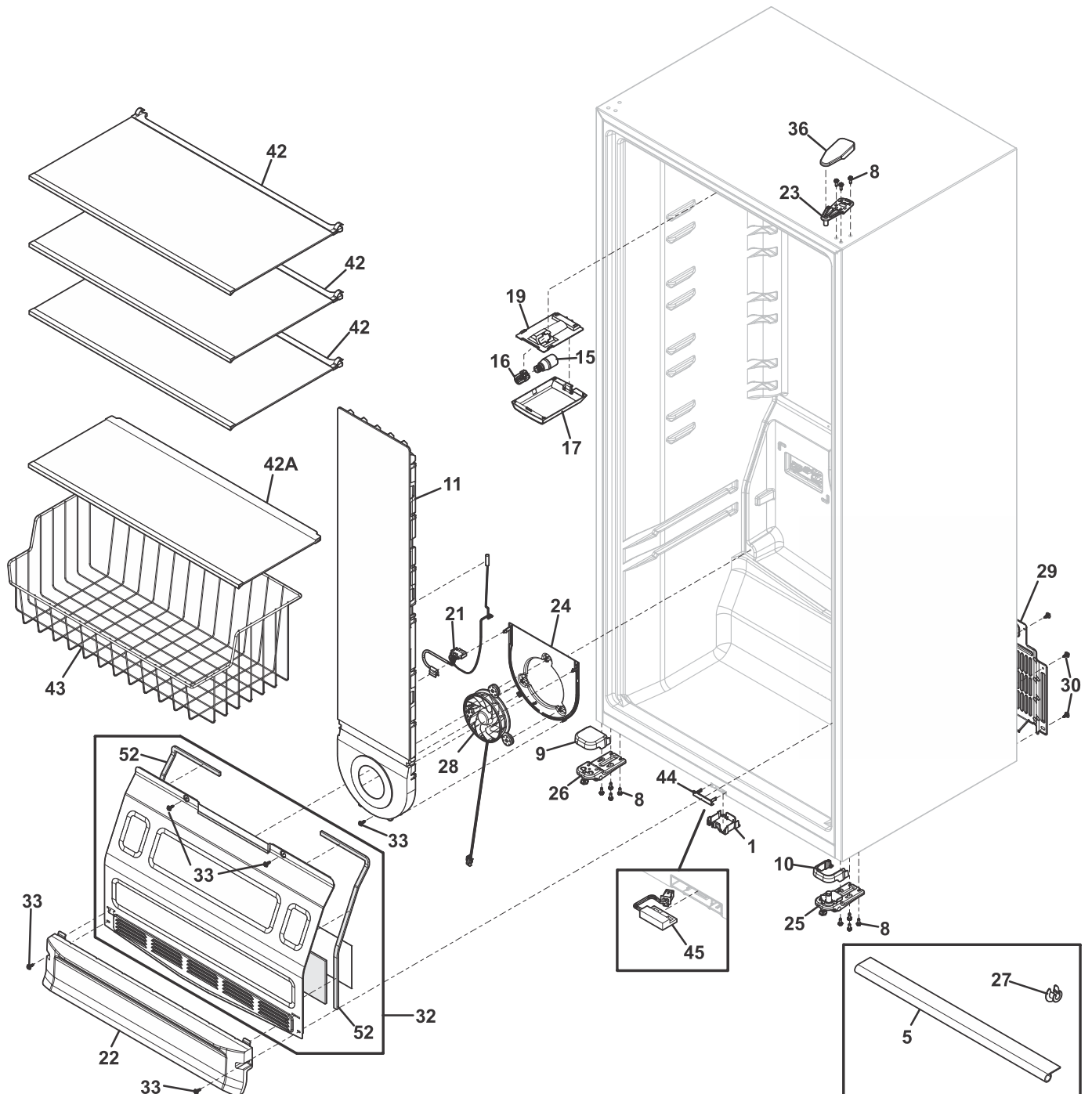
DRFFFU20F4VW0

DOOR

Model Index: **A** FFFU20F4V (FFFU20F4VN0)
 B FFFU20F4V (FFFU20F4VW0)

POS. NO	PART NO.		DESCRIPTION
8	5304519044	A B	Magnet, reed switch
9	5304522194	A -	Bearing, hinge, gray
9	5304519757	- B	Bearing, hinge, white
10	240494009	A -	Button, plug, gray
10	240494001	- B	Button, plug, white
11	5304522238	A -	Hook, door closer, gray
11	5304519789	- B	Hook, door closer, white
11A	241953905	A B	Screw, 8-18 X 1.25
13	5304523811	A B	Gasket, door
14	297407700	A B	Handle Installation Kit
15 #	5304524097	A B	User Interface, assembly, w/pc board
17	5304524106	A -	Door Assembly, carbon
17	5304524105	- B	Door Assembly, white
18	5304510343	A B	Handle-door, stainless
19	5304524110	A B	Shelf, door, clear
20	5304523784	A B	Bearing, door, lower
20A	241953901	A B	Screw, quad hilo, #8-18 x 0.50
79	218755407	A B	Screw-set, 10-32 x 0.500
80	218755504	A B	Screw, shoulder, #10-AB, handle mounting
* #	5304524123	A B	Harness, jumper, cabinet, to door

CABINET



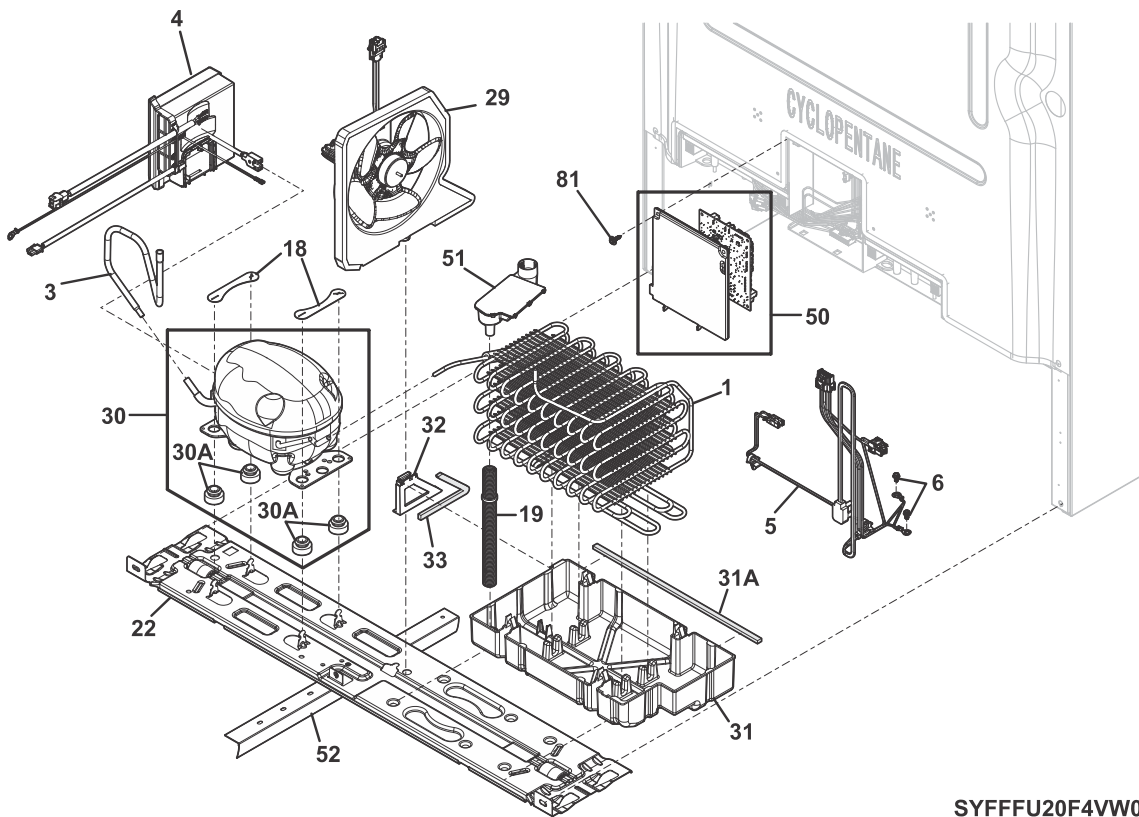
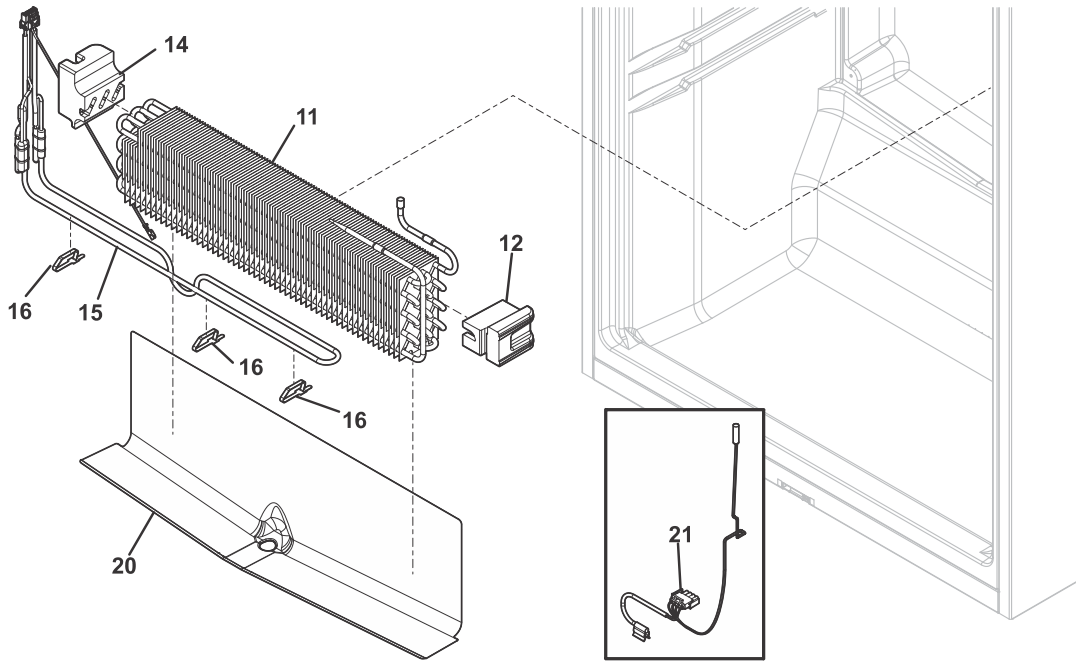
CAFFU20F4VW0

CABINET

Model Index: **A** FFFU20F4V (FFFU20F4VN0)
B FFFU20F4V (FFFU20F4VW0)

POS. NO	PART NO.		DESCRIPTION
1	5304523792	A B	Cover, housing, reed switch
1*	240433204	A B	Screw, hex washer head, 8-18 x 5/16
5	5304524149	A B	Channel, wiring harness
8	5304522279	A B	Screw, hex wsh hd quad, M5 x 16
9	5304522221	A -	Cover, hinge, gray, lower, non-hinged
9	5304519777	- B	Cover, hinge, white, lower, non hinged
10	5304522246	A -	Cover, hinge side, gray, lower
10	5304522244	- B	Cover, hinge side, white, lower
11	5304523725	A B	Air Tower, assembly
15	5304522314	A B	BULB, light, E17/12 LED
16 #	5304522315	A B	Socket, LED light
17	5304523778	A B	Cover, lens
19	5304523777	A B	Mount, socket
21 #	5304523788	A B	Harness Assembly, temp/defrost, w/thermostats
22	5304523753	A B	Diverter, air
23	5304523689	A B	Hinge, upper
24	5304523722	A B	Mount-fan, evaporator
25	5304523746	A B	Hinge-bottom, assembly, RH, w/foot-closer
26	5304523747	A B	Hinge-bottom, assembly, LH non hinged, w/foot
27	5304524141	A B	Spacer, roller, lower hinge
28 #	5304523741	A B	Motor-fan, evaporator
29	5304523769	A B	Cover, access
30	242039703	A B	Screw, 10-16 TYPE AB
32	5304524112	A B	Cover Assembly, evaporator, w/tape-seals
33	5304523738	A B	Screw, hex wash hd, M4.2 x 16
36	5304520516	A -	Cover, upper hinge, gray
36	5304519784	- B	Cover, upper hinge, white
42	5304524074	A B	Shelf Assembly, glass, large, w/trim
42A	5304524026	A B	Shelf Assembly, glass, small, w/trim
43	5304523751	A B	Basket, wire, lower
44	5304524130	A B	Cover, reed switch, front
45 #	242326001	A B	Switch, reed
52	5304523723	A B	Seal, foam
* #	5304524123	A B	Harness, jumper, cabinet, to door

SYSTEM



SYFFFU20F4VW0

SYSTEM

Model Index: **A** FFFU20F4V (FFFU20F4VN0)
B FFFU20F4V (FFFU20F4VW0)

POS. NO	PART NO.		DESCRIPTION
1 #	5304523710	A B	Condenser, dynamic
3 #	5304522111	A B	Tube, suction jumper
4 #	5304523779	A B	Inverter, Flexdrive 2.2
5 #	5304524153	A B	Harness, wiring, machine compt.
6	241500304	A B	Screw, hex washer head, 8-18AB x 0.625
11 #	5304523830	A B	Evaporator, coil
12	5304523831	A B	Support, evaporator, RH
14	5304523832	A B	Support, evaporator
15	5304523833	A B	Heater, defrost
16	5308000110	A B	Strap-evap/heater, aluminum, (2)
18	5304519812	A B	Clamp, compressor
19	5304523706	A B	Drain Tube, corrugated
20	5304523720	A B	Trough, drain
21 #	5304523788	A B	Harness Assembly, temp/defrost, w/thermostats
22	5304523693	A B	Base Assembly, compressor, w/rollers
29 #	5304519734	A B	Fan Assembly, condenser, w/shroud-foam
30 #	5304523780	A B	Compressor, assembly, TKD91E, w/grommets
30A	5304523829	A B	Grommet
31	5304523709	A B	Pan, drain
31A	5304519744	A B	Tape, drain pan, foam, front
32	5304519745	A B	Baffle, drain pan, air block
33	5304519751	A B	Seal, foam, air block
50 #	5304524125	A B	Main Board, assembly, w/housing
51	5304523802	A B	Drain Jumper, assembly
52	5304523694	A B	Baffle, divider
81	5304519765	A B	Screw, hx wash hd, M4.2 x 12
*	240433204	A B	Screw, hex washer head, 8-18 x 5/16
*	5304523801	A B	Screw, hex wash hd, m4 x 10