



FRIGIDAIRE

Factory Parts Catalog

Product No.	FFEH3054UBA	FFEH3054UWA
Series	30" FSFC elec	30" FSFC elec
Color	black	white
Market	North America	North America
Owner's Guide	A13080601	A13080601
Installation Instructions	809127103	809127103
Service Data Sheet	808532588	808532588

Frigidaire

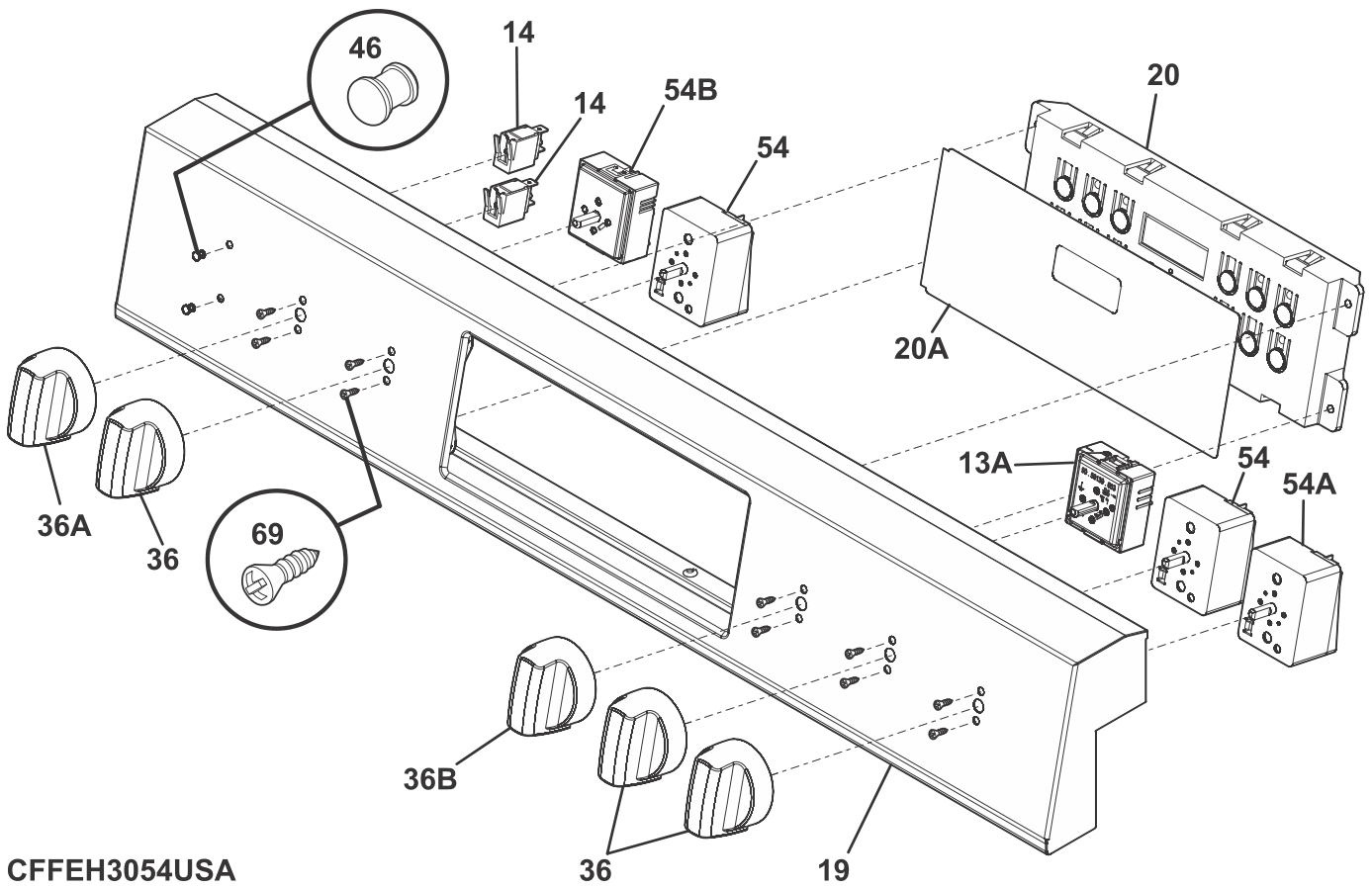
P.O. BOX 8020
CHARLOTTE, NC 28262

30-INCH FREE- STANDING ELECTRIC RANGE

Model No.
FFEH3054U

Publication No.
5995719746
20/01/16
(EN/SERVICE/)
369

BACKGUARD



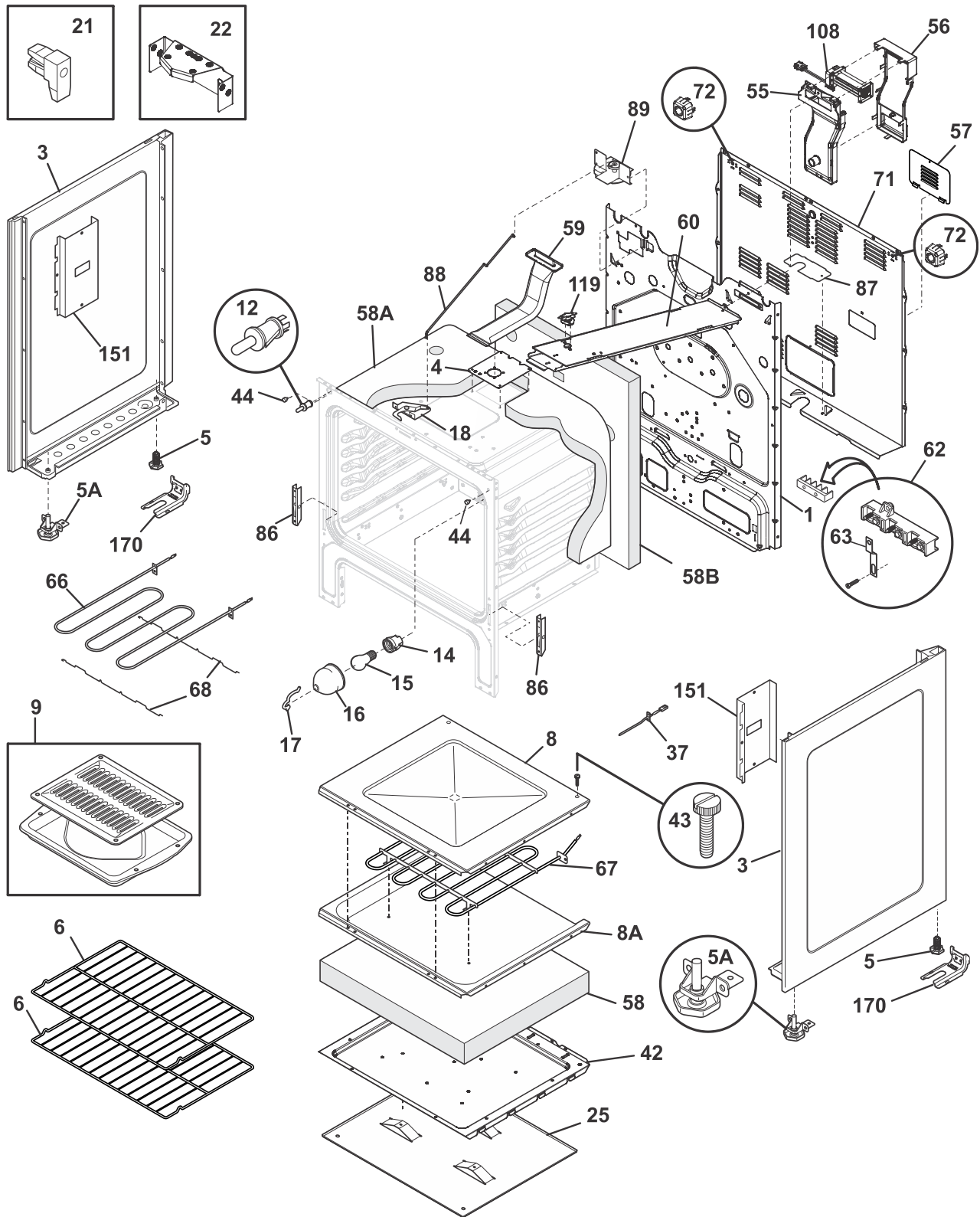
CFFEH3054USA

BACKGUARD

Model Index: **A** FFEH3054U (FFEH3054UBA)
B FFEH3054U (FFEH3054UWA)

POS. NO	PART NO.		DESCRIPTION
13A#	5304508926	A B	Switch, infinite, warmer
14 #	316022500	A B	Light/Lamp, indicator, black, 125 V
19	5304522016	A -	Panel, control
19	5304522017	- B	Control Panel, white
20 #	5304514108	A B	Controller, electronic, oven, ES330
20A	316419380	A -	Overlay, EOC, black, ES330
20A	316419381	- B	Overlay, clock, white, ES330
36	5304515466	A -	Knob, inf switch, black, single
36	5304515467	- B	Knob, inf switch, white, single
36A	5304515468	A -	Knob-Inf Switch, dual, white
36A	5304515469	- B	Knob-Inf Switch, dual, white
36B	5304521976	A -	Knob, inf switch, white, warm
36B	5304521977	- B	Knob, inf switch, white, warm
46	316557300	A B	Lens-light/lamp, indicator, clear
54 #	316436000	A B	Switch, infinite, small element
54A#	316436001	A B	Switch, infinite, large element
54B#	316238202	A B	Switch, infinite radian, dual
69	5303288565	A B	Screw, truss sqdr, 8-32 x 3/16, switch mtg
* #	5304514141	A B	Harness, wiring, backsplash
*	5304520393	A B	Spacer, foam block, 2" x 1", w/adhesive
*	316021109	A B	Screw, 8-18 x 0.5, chrome
*	316089500	A B	Screw, 10-16 x .486

BODY



NOTE: Oven Liner N/A
Ass. du four N/A

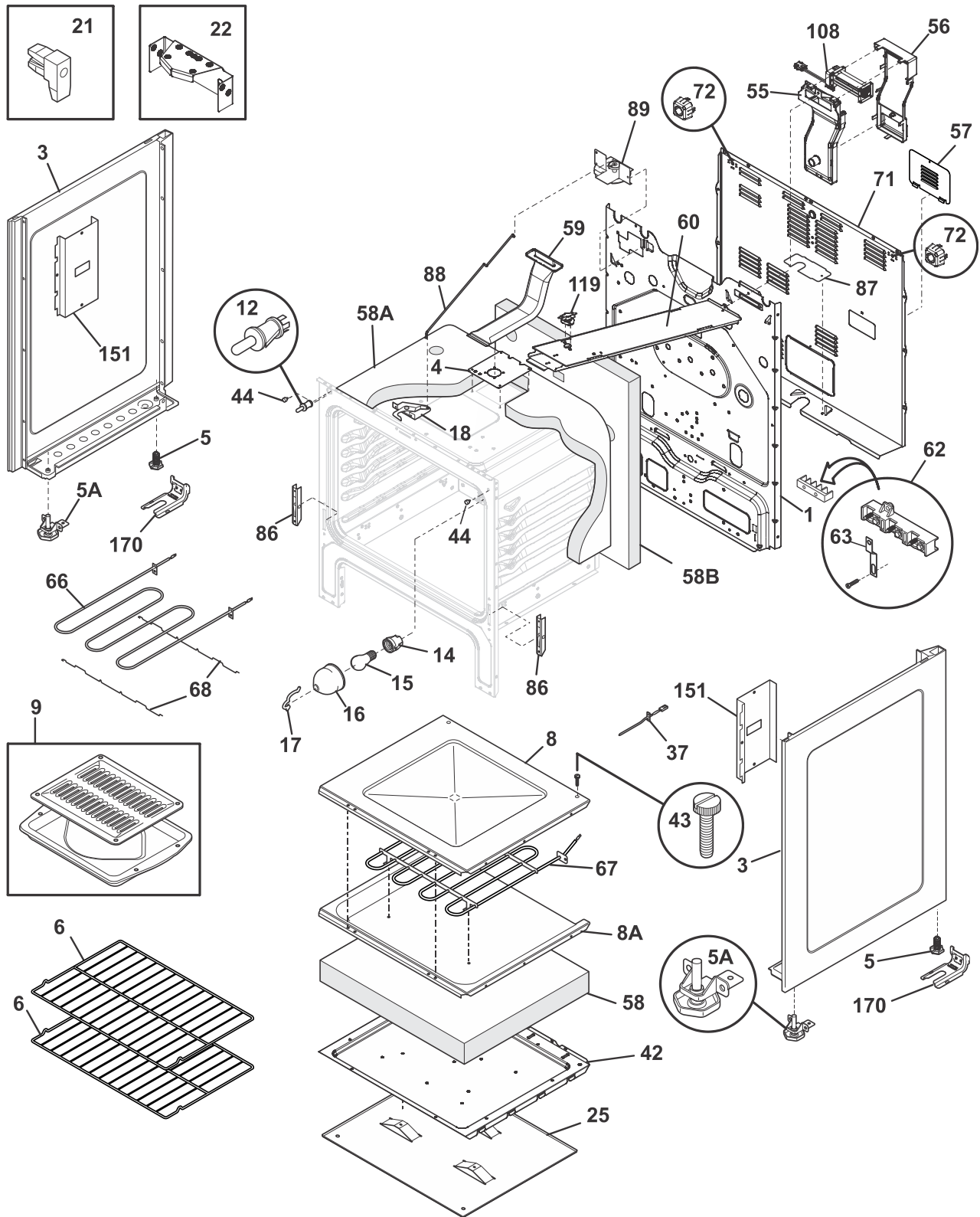
VFFEH3054USA

BODY

Model Index: A FFEH3054U (FFEH3054UBA)
B FFEH3054U (FFEH3054UWA)

POS. NO	PART NO.		DESCRIPTION
1	5304514161	A B	Back, main
3	316400136	A -	Panel, bodyside, black, RH
3	316400137	A -	Panel, bodyside, black, LH
3	316400134	- B	Panel, bodyside, white, RH
3	316400135	- B	Panel, bodyside, white, LH
4	5304514136	A B	Plate, oven vent
4*	297174300	A B	Screw, self pierce, #8, 18x.63
5	316272900	A B	Screw, leveling, plastic, rear, (2)
5A	5304509869	A B	Leveling Leg Assy, metal, front, (2), bracket & leg
6	316496201	A B	Rack, oven
8	316400601	A B	Panel, oven bottom
8*	316064600	A B	Support, oven bottom
8A	316411106	A B	Base, bake element
9	5304494997	A B	Broil Pan Kit, pan & insert, slate blue, Optional, accessory
12 #	316445501	A B	Switch, oven light, door frame
14 #	316116400	A B	Receptacle, oven light
15	316538904	A B	Lamp, oven light
16	318406100	A B	Lens, oven light, glass
17	316087500	A B	Retainer, lens
18 #	316405800	A B	Latch Assembly, oven door
*	5303285179	A B	Screw, wafer head, 8-32T x 0.500, black, 44*
21	316408000	A B	Clip, bodyside
22	5304514125	A B	Bracket, support, body side, (2)
22*	316279600	A B	Screw, bracket, stiffener, (4)
25	316406200	A B	Shield, heat, lower
37 #	316490000	A B	Probe, oven temp
42	316400701	A B	Shield, wool, lower
43	3131732	A B	Screw, 8-18 x 1.438, oven bottom
44	316517600	A B	Bumper, front, main
55	5304514171	A B	Duct, inlet air, front
56	5304514172	A B	Duct, inlet air, rear
57	316283600	A B	Cover, access
58	316403802	A B	Insulation, oven sump
58A	316403700	A B	Insulation, oven wrapper
58B	316403600	A B	Insulation, oven back
59	5304514160	A B	Tube, oven vent, upper
60	5304522591	A B	Duct Assembly, cooling, toggle lock
62 #	5303935271	A B	Terminal Block Kit
62*	316001003	A B	Screw, ground wire
62*	316205500	A B	Nut, hex flange, 3/8 10-32
62*	316542203	A B	Insulator
63	316542600	A B	Plate, grounding strap
66 #	316203301	A B	Element, broil
67 #	316413800	A B	Element, bake, hidden
*	5303271648	A B	Screw, wafer hd sq dr, 8-18AB x 0.5
68	316429100	A B	Support, element, broil
71	5304514174	A B	Shield, wire, rear
72	5304514177	A B	Spacer, wire shield, (2)
86	316441300	A B	Receptacle, hinge

BODY



**NOTE: Oven Liner N/A
Ass. du four N/A**

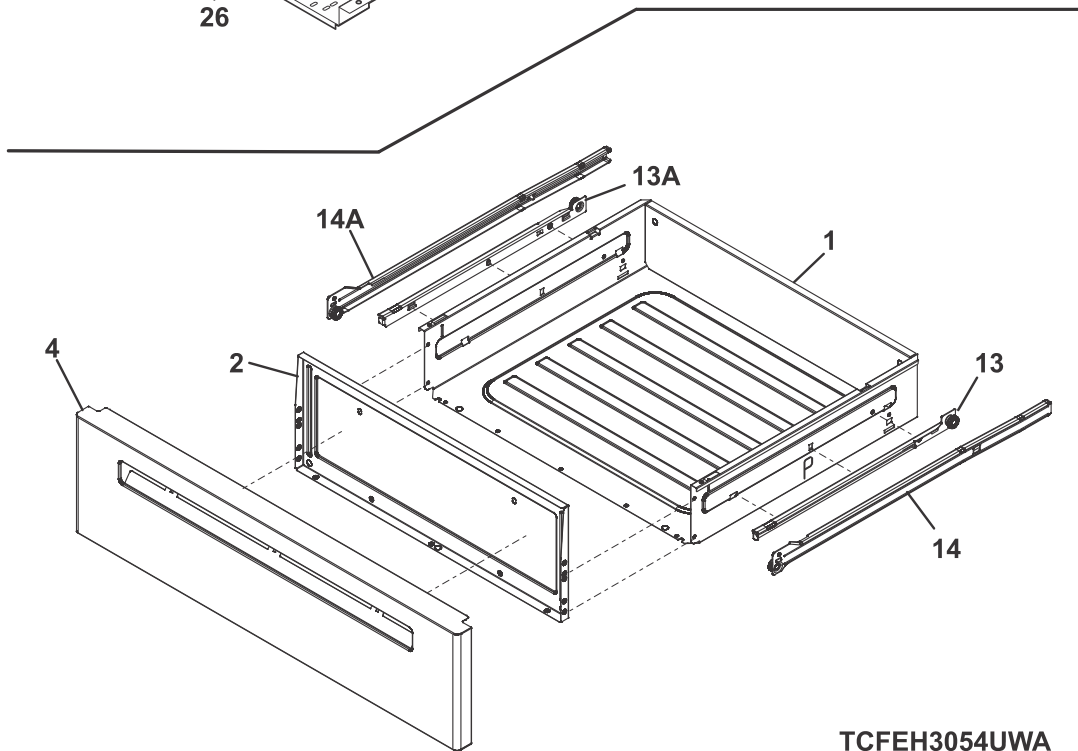
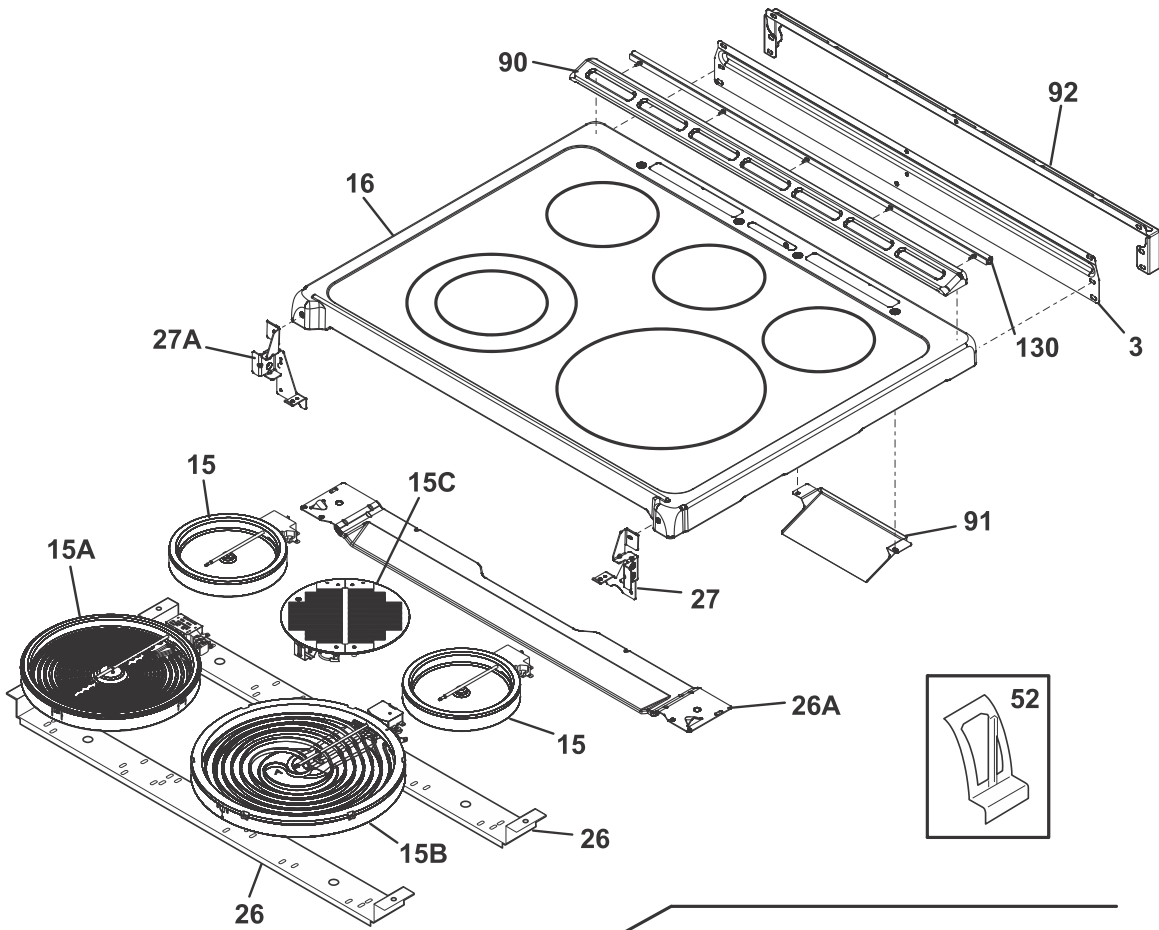
VFFEH3054USA

BODY

Model Index: **A** FFEH3054U (FFEH3054UBA)
 B FFEH3054U (FFEH3054UWA)

POS. NO	PART NO.		DESCRIPTION
87	316081200	A B	Bracket, cable mtg
88	316232702	A B	Rod, auto latch
89 #	316464300	A B	Motor-latch
108#	5304514166	A B	Fan Assembly, cooling
119#	318578506	A B	Thermostat, safety, 105C
151	5304521158	A B	Shield, bodyside
*	3203010	- -	Fastener, U-type, (2)
170	316112005	A B	Anti Tip Kit, assy, w/template
170*	316107200	A B	Bracket, anti-tip
170*	316116000	A B	Screw, concrete, 1.75", anti-tip brkt
170*	316541700	A B	Template, anti-tip
* #	5304514142	A B	Harness, wiring, main
*	316021105	A B	Screw, hex head cup pt, 8-18 x 0.375, black
*	316021109	A B	Screw, 8-18 x 0.5, chrome
*	316021132	A B	Screw, 8-18 X 11/16, black, (3)
*	316089500	A B	Screw, 10-16 x .486
*	316260800	A B	Screw-shoulder, w/shoulder, #8-18 x 1/2"

TOP/DRAWER



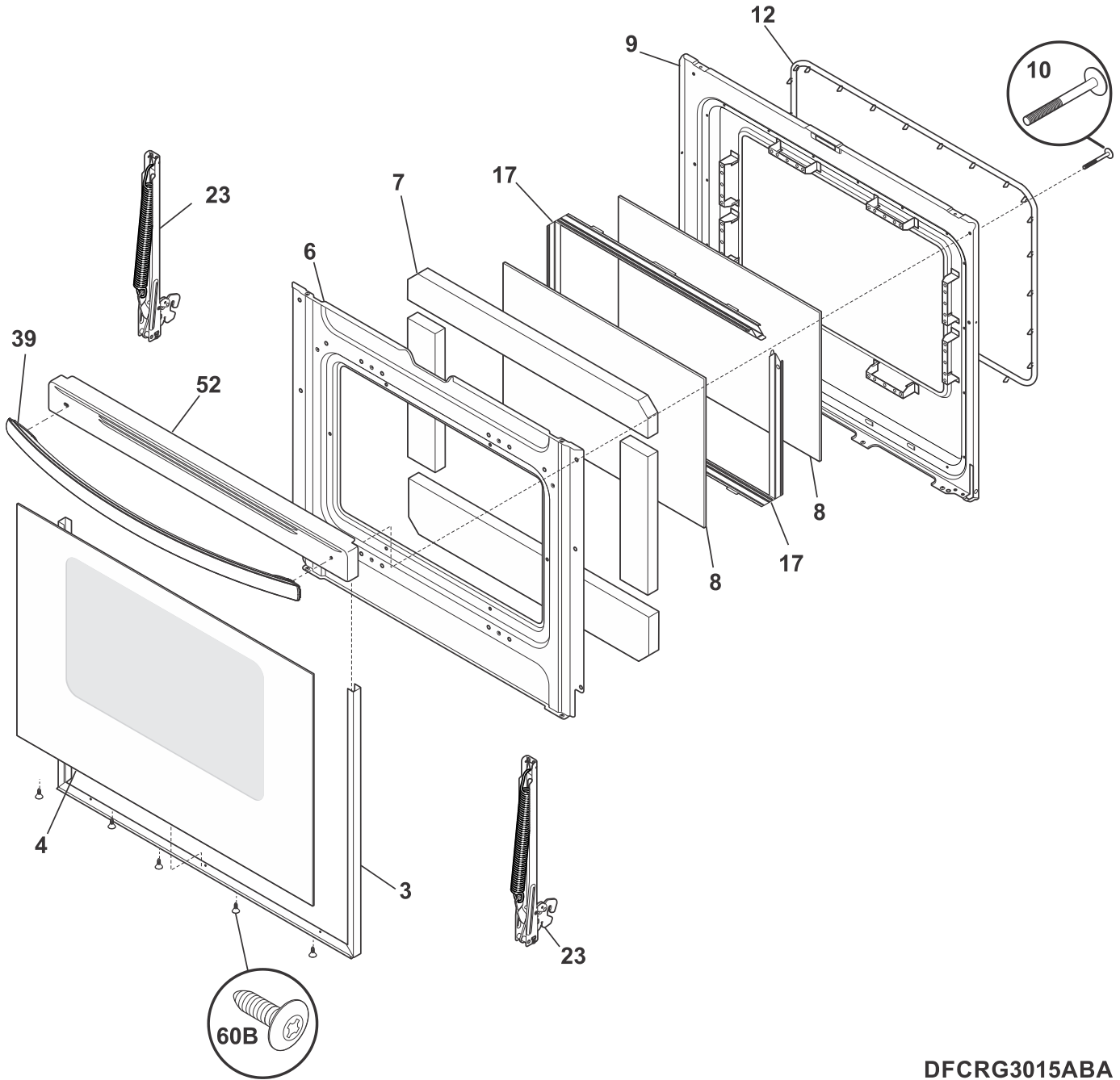
TCFEH3054UWA

TOP/DRAWER

Model Index: **A** FFEH3054U (FFEH3054UBA)
B FFEH3054U (FFEH3054UWA)

POS. NO	PART NO.		DESCRIPTION
1	316408706	A B	Drawer, utility
2	5304511880	A B	Liner, drawer
3	5304514133	A B	Shield, rear wall, upper
4	5304513125	A -	Panel, drawer, black
4	5304513124	- B	Panel, drawer, white
13	5304517905	A B	Glide, drawer, black, RH inner
13A	5304517903	A B	Glide, drawer, black, LH inner
14	5304517904	A B	Glide, drawer, black, RH outer
14A	5304517902	A B	Glide, drawer, black, LH outer
15 #	318178110	A B	Element, surface, 6", 1200, (2), radiant
15A#	316282000	A B	Element, dual, 9"/6", surface, 3000W, quick boil
15B#	316291200	A B	Element, surface, 12", 2700W
15C#	5304521951	A B	Element, warmer, 100 W
16	5304514197	A -	Smoothtop, assembly, glass/steel, black
16	5304521986	- B	Smoothtop, assembly, glass/steel, white
26	5304512926	A B	Channel, element support
26A	5304514126	A B	Bracket, support, rear, chassis
27	5304514123	A B	Bracket, mounting, RH, cooktop
27A	5304514124	A B	Bracket, mounting, LH, cooktop
52	316461700	A B	Clip, element mtg
52*	5308014215	A B	Screw, 6-20 x 0.312
90	5304514157	A -	Trim, vent, black, rear
90	5304521985	- B	trim vent, vent, white, rear
91	5304514181	A B	Deflector, moisture, (2)
92	5304520261	A B	Rear Filler Kit, FCFS range, black
130	808931802	A B	Seal, maintop, silicone, rear
* #	5304514143	A B	Harness, wiring, surface
*	316021105	A B	Screw, hex head cup pt, 8-18 x 0.375, black
*	316021109	A B	Screw, 8-18 x 0.5, chrome
*	316089500	A B	Screw, 10-16 x .486
*	5303285179	A B	Screw, wafer head, 8-32T x 0.500, black, 44*

DOOR



DFCRG3015ABA

DOOR

Model Index: **A** FFEH3054U (FFEH3054UBA)
 B FFEH3054U (FFEH3054UWA)

POS. NO	PART NO.		DESCRIPTION
3	5303935378	A -	Trim kit-door, 3 sided, black, w/tape
3	5303935379	- B	Trim kit-door, 3 sided, white, w/tape
4	316558908	A -	Glass, oven door, black
4	316558907	- B	Glass, oven door, white
6	316402315	A B	Shield, wool
7	316403900	A B	Insulation, oven door
8	316117506	A B	Glass, oven door, inner
9	316423807	A B	Liner-oven door
10	316433300	A B	Screw, 10-14 x 2.125", handle mtg.
12	5304498835	A B	Seal, oven door
17	5304504811	A B	Spacer, glass
23	316575917	A B	Hinge, oven door, red
23*	316418900	A B	Screw, sims lp, #8-32 x 5/16", black
39	5304522046	A -	Handle, door
39	5304522047	- B	Handle, door
52	316575501	A -	Cap, door trim, black
52	316575500	- B	Cap, door trim, white
60B	316021109	A B	Screw, 8-18 x 0.5, chrome
*	316483102	A B	Label, anti-tip
*	316021105	A B	Screw, hex head cup pt, 8-18 x 0.375, black
*	5303285179	A B	Screw, wafer head, 8-32T x 0.500, black, 44*