



FRIGIDAIRE

Factory Parts Catalog

Product No.	FGEF3036TDH
Series	30" f/s elec
Color	black stainless
Market	North America
Owner's Guide	808527609
Installation Instructions	316454912
Service Data Sheet	808532577

Frigidaire

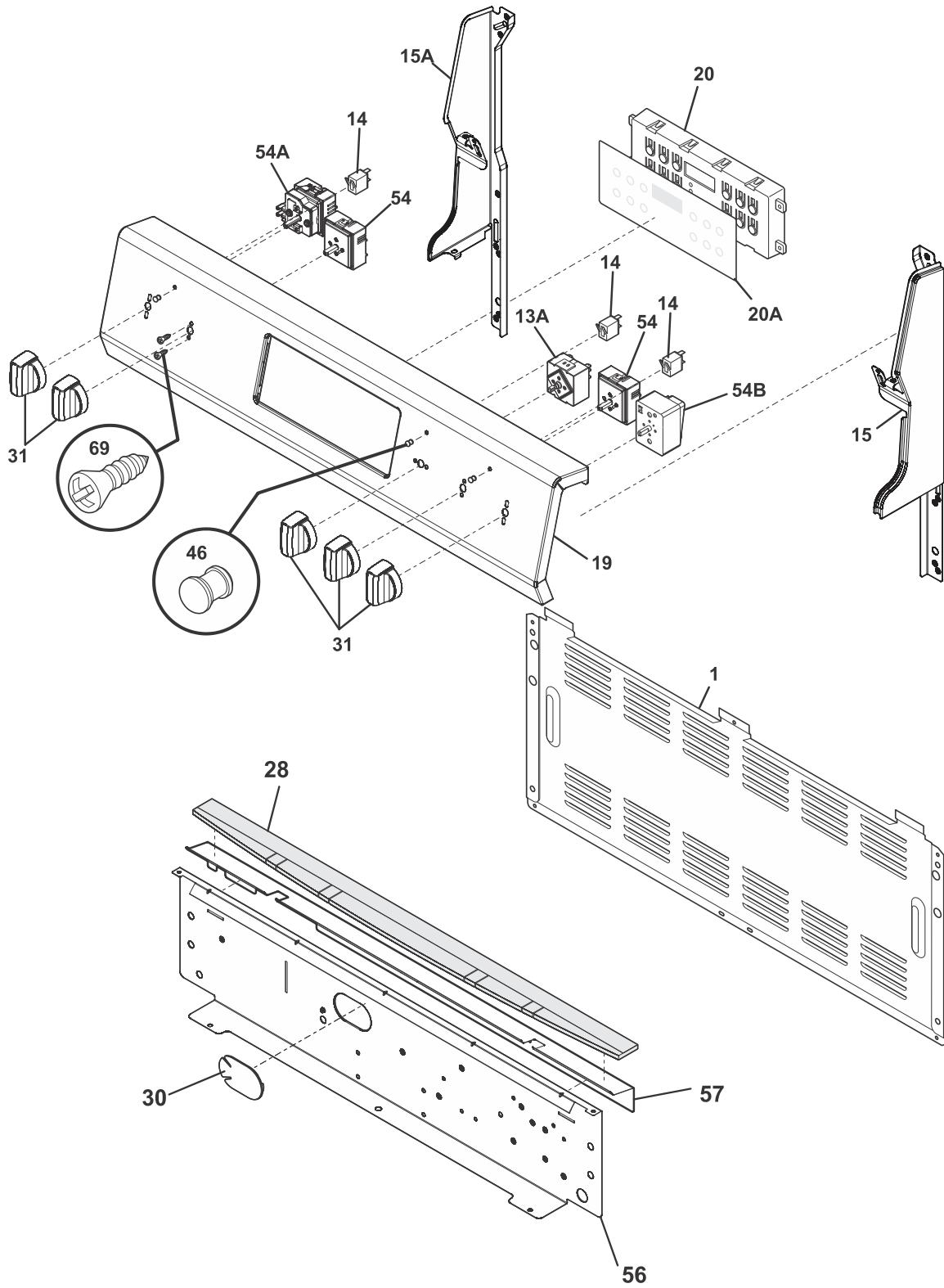
P.O. BOX 8020
CHARLOTTE, NC 28262

Publication No.
5995719613
20/01/08
(EN/SERVICE/)
369

30-INCH FREE- STANDING ELECTRIC RANGE

Model No.
FGEF3036T

BACKGUARD

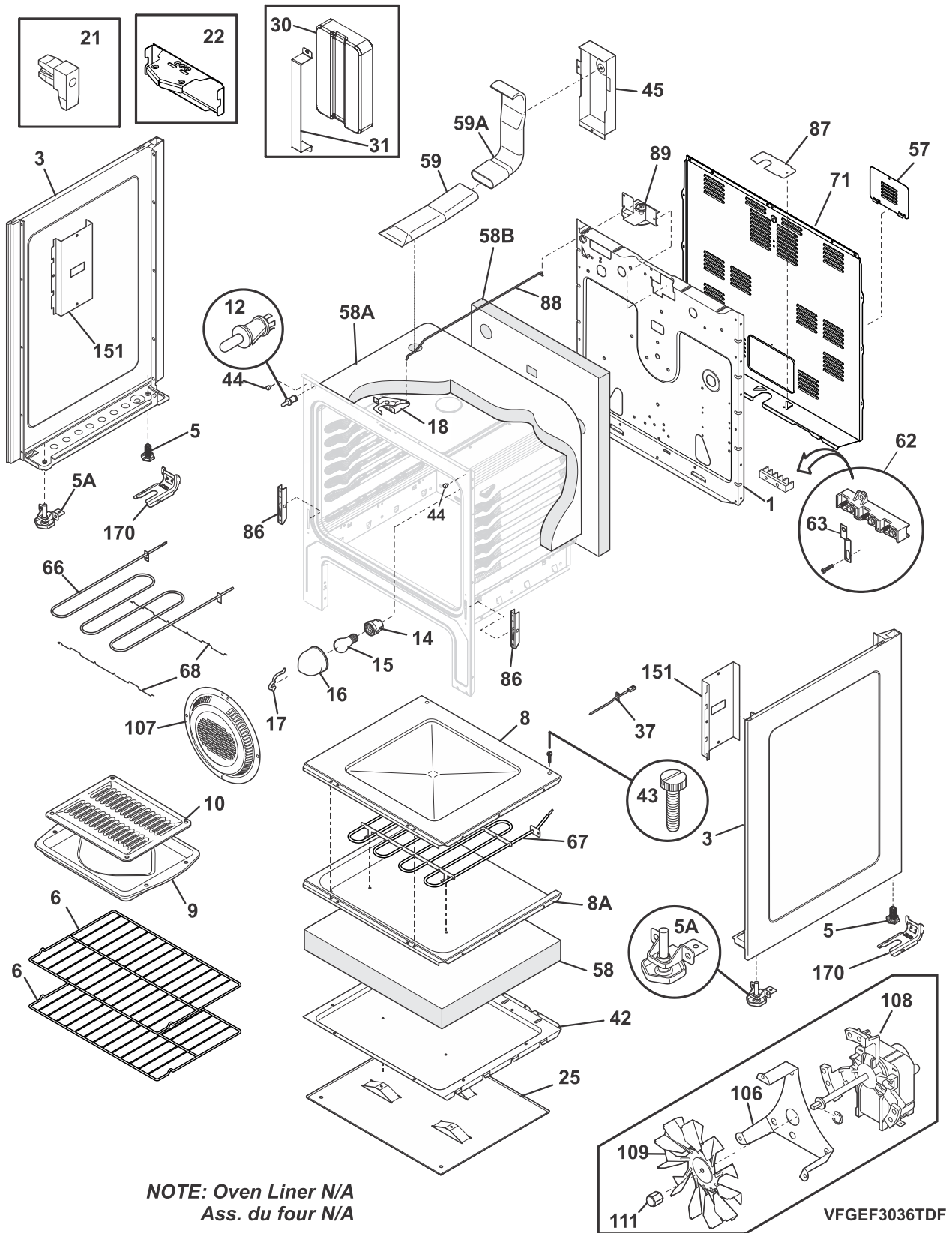


CCGEF3036UFD

BACKGUARD

POS. NO	PART NO.	DESCRIPTION
1	316281802	Shield, backguard, rear wall
13A#	5304522964	Switch, infinite, warmer
14	316022500	Light/Lamp, indicator, black, 125 V
15	5304493644	Cap, end, black, RH
15A	5304493646	Cap, end, black, LH
19	5304509317	Panel, backguard, black stainless
20 #	5304511270	Clock, ES300ISB
20A	316419378	Overlay, clock, black, ES334ISB
28	316528700	Insulation, manifold panel
30	316577600	Plug, button, oval, harness
31	5304509211	Knob, infinite switch, black stainless
46	316557300	Lens-light/lamp, indicator, clear
54 #	316436000	Switch, infinite, small element
54A#	5304522965	Switch, infinite, turbo boil
54B#	5304522918	Switch, infinite, Radiant dual
56	316234045	Shield, backguard, black, inner
57	808950202	Shield, steam
69	5303288565	Screw, truss sqdr, 8-32 x 3/16, switch mtg
*	316021109	Screw, 8-18 x 0.5, chrome
*	316089500	Screw, 10-16 x .486
*	316021105	Screw, hex head cup pt, 8-18 x 0.375, black

BODY



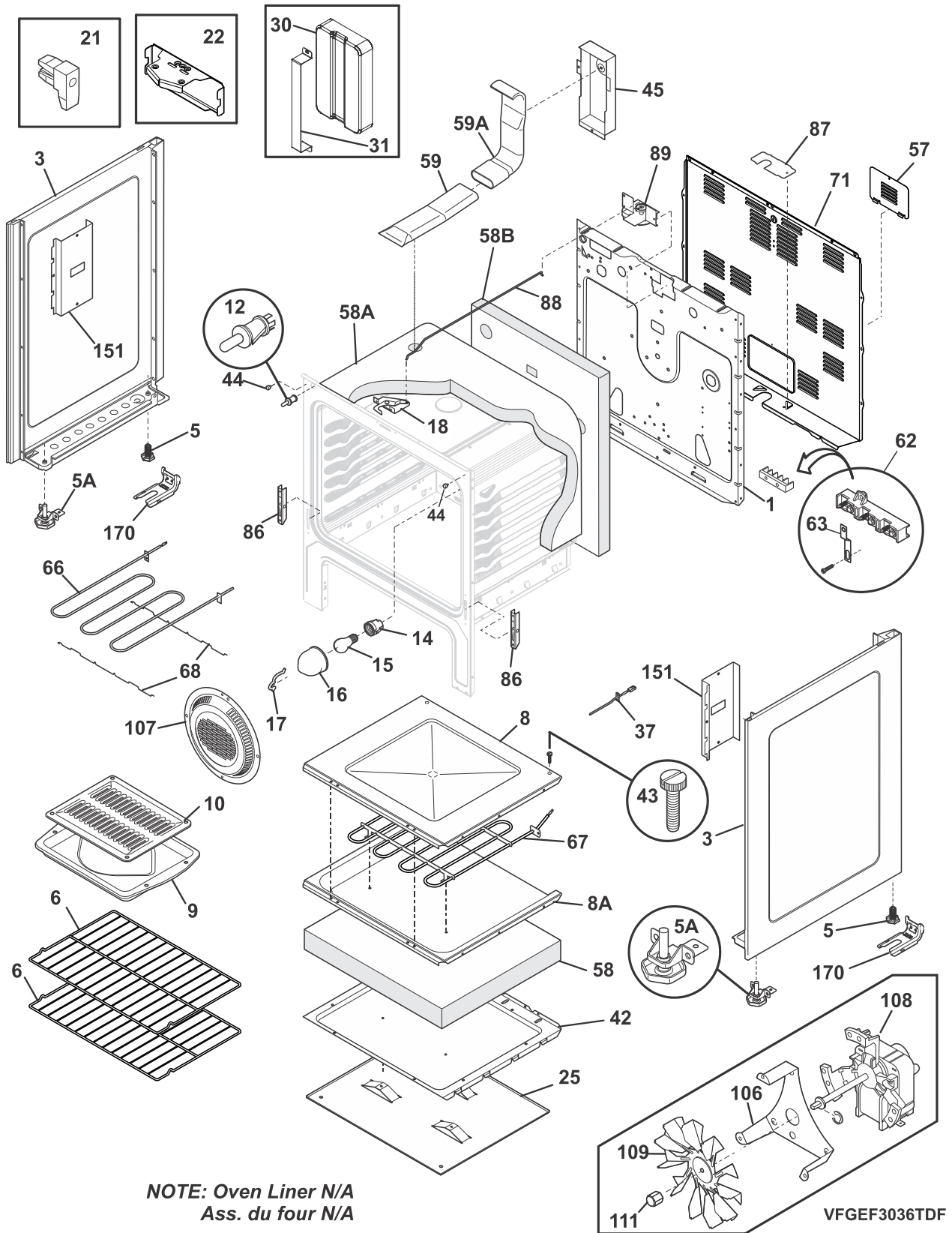
**NOTE: Oven Liner N/A
Ass. du four N/A**

VFGEF3036TDF

BODY

POS. NO	PART NO.	DESCRIPTION
1	316401805	Panel, main back
*	316418901	Screw, trilobe, 10-32 x 5/16", black
3	316400136	Panel, bodyside, black, RH
3	316400137	Panel, bodyside, black, LH
5	316272900	Screw, leveling, plastic, rear, (2)
5A	5304509869	Leveling Leg Assy, metal, front, (2), bracket & leg
6	316496201	Rack, oven
8	316400601	Panel, oven bottom
8*	316064600	Support, oven bottom
8A	316411106	Base, bake element
9	316081900	Pan, broilerOPTIONAL ACCESSORY
10	316082000	Insert, broiler panOPTIONAL ACCESSORY
12	316445500	Switch, oven light, door frame
14 #	316116400	Receptacle, oven light
15	316538904	Lamp, oven light
16	318406100	Lens, oven light, glass
17	316087500	Retainer, lens
18 #	316405800	Latch Assembly, oven door
21	316408000	Clip, bodyside
22	316286300	Bracket-bodyside, (2)
*	316279600	Screw, bracket, stiffener, (4)
25	316406200	Shield, heat, lower
30	5304511083	Counterweight, concrete block
31	5304511084	Bracket, concrete block
37 #	316490000	Probe, oven temp
42	316407700	Shield, wool, lower
43	3131732	Screw, 8-18 x 1.438, oven bottom
44	316517600	Bumper, front, main
*	5303285179	Screw, wafer head, 8-32T x 0.500, black, 44*
45	316234100	Shield, wire, vent tube
57	316283600	Cover, access
58	316403802	Insulation, oven sump
58A	316406601	Insulation, oven wrapper
58B	316406500	Insulation, oven back
59	316208401	Vent Tube, assembly, w/catalyst
*	316089500	Screw, 10-16 x .486
59*	316247300	Catalyst, oven vent, ceramic
59A	316208304	Tube, oven vent, upper
62 #	5303935271	Terminal Block Kit
62*	316001003	Screw, ground wire
62*	316205500	Nut, hex flange, 3/8 10-32
62*	316542203	Insulator
63	316542600	Plate, grounding strap
66 #	316203301	Element, broil
67 #	316413800	Element, bake, hidden
68	316404002	Support, element, broil
71	316283204	Shield, rear wall
86	316441300	Receptacle, hinge
*	316418900	Screw, sims lp, #8-32 x 5/16", black
87	316081200	Bracket, cable mtg
88	316203500	Rod, auto latch

BODY



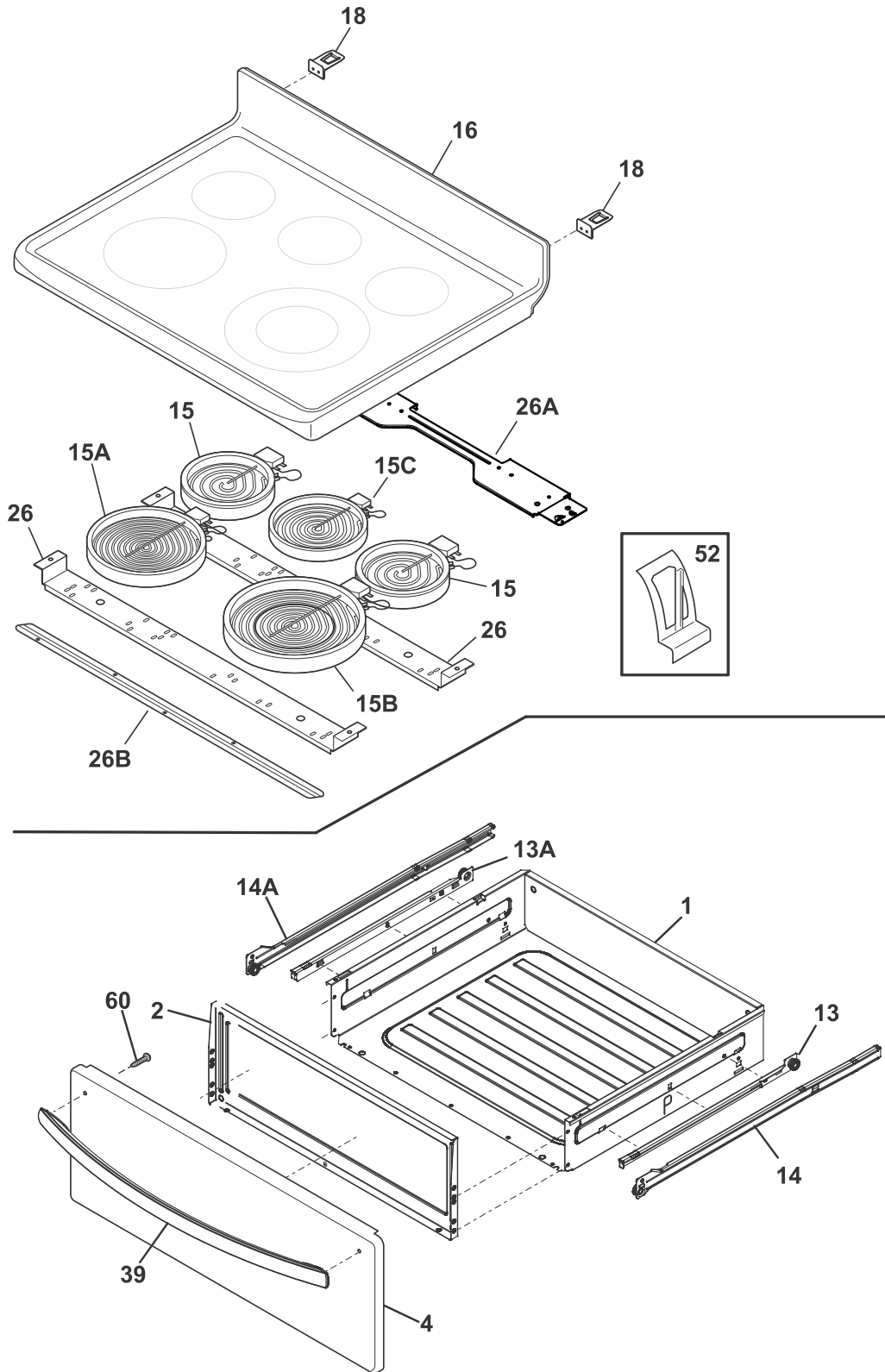
**NOTE: Oven Liner N/A
Ass. du four N/A**

VFGEF3036TDF

BODY

POS. NO	PART NO.	DESCRIPTION
89 #	316464300	Motor-latch
106	316404100	Bracket, motor mtg.
107	316026701	Cover, fan
108#	316256100	Motor-fan
109	318398302	Fan Blade
111	316136600	Nut, fan retainer
151	316404601	Shield, bodyside
170	316112005	Anti Tip Kit, assy, w/template
170*	316107200	Bracket, anti-tip
170*	316116000	Screw, concrete, 1.75", anti-tip brkt
170*	316541700	Template, anti-tip
* #	5304516201	Wiring Harness, main
*	316231800	Cover, hole, conv. element
*	316021105	Screw, hex head cup pt, 8-18 x 0.375, black
*	5303289910	Screw, truss sqdr, 8A x 1", 62*

TOP/DRAWER

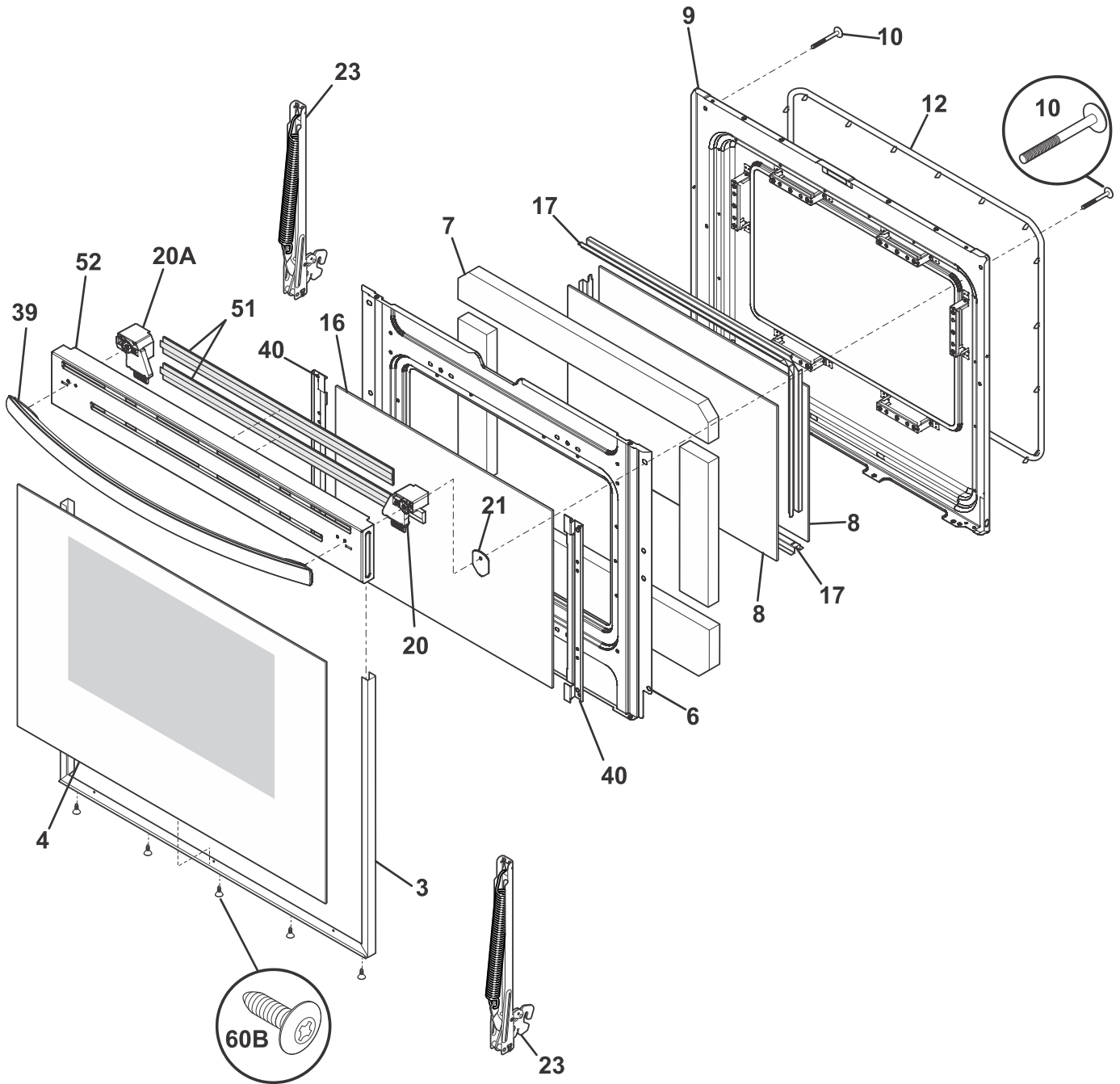


TFGEF3036TDF

TOP/DRAWER

POS. NO	PART NO.	DESCRIPTION
1	316408706	Drawer, utility
2	5304511827	Liner, drawer
4	5304516891	Panel, drawer, dark stainless
11	5304517906	Bracket, rear support, (2)
13	5304517905	Glide, drawer, black, RH inner
13A	5304517903	Glide, drawer, black, LH inner
14	5304517904	Glide, drawer, black, RH outer
14A	5304517902	Glide, drawer, black, LH outer
15 #	318178110	Element, surface, 6", 1200, (2), radiant
15A#	316530001	Element, surface, 9", 3200W, turbo boil
15B#	316282103	Element, 6/12", surface, 3000W, radiant
15C#	316289800	Element, surface, warmer, 100 W
16	5304513242	Smoothtop, assembly, glass/steel, black
18	316580800	Bracket-hinge, main top
26	5304512926	Channel, element support
26A	316498200	Bracket-support, chassis, aluminum
26B	316607600	Bracket, chassis support, front
39	316554009	Handle, door/drawer, black stainless, w/spacers
52	316461700	Clip, element mtg
52*	5308014215	Screw, 6-20 x 0.312
60	5303288572	Screw-handle mtg
* #	5304522953	Harness, surface
*	316021105	Screw, hex head cup pt, 8-18 x 0.375, black
*	316021109	Screw, 8-18 x 0.5, chrome
*	316089500	Screw, 10-16 x .486

DOOR



DLGEF3046TDC

DOOR

POS. NO	PART NO.	DESCRIPTION
3	5303935377	Trim kit-door, 3 sided, black, w/tape
4	316350403	Glass, door, black, outer
4	316355601	Glass, door, black, w/foil
6	316406312	Shield-wool
7	316405600	Insulation, oven door
8	316117502	Glass, oven door, heat barrier, inner, HRC2
9	316423707	Liner, oven door
10	316513301	Screw, handle mtg, 10-24 x 2.188, (2)
12	316405000	Seal, oven door
16	316552801	Glass, door, airwash
17	5304504811	Spacer, glass
20	316353004	Spacer, door, RH
20A	316353005	Spacer, door, LH
21	316533801	Plate, distribution, load
23	316575948	Hinge, oven door
23*	316418900	Screw, sims lp, #8-32 x 5/16", black
39	316554009	Handle, door/drawer, black stainless, w/spacers
39*	5303288572	Screw-handle mtg
40	316552401	Bracket, airwash glass, (2)
51	316355300	Insulation, door, top cap
52	5304516889	Trim, door cap, black stainless, upper
60B	316021109	Screw, 8-18 x 0.5, chrome
*	316483102	Label, anti-tip
*	5303285179	Screw, wafer head, 8-32T x 0.500, black, 44*