



FRIGIDAIRE

Factory Parts Catalog

Product No.	FGEH3047VDB	FGEH3047VFB
Series	30" FSFC elec	30" FSFC elec
Color	black stainless	stainless
Market	North America	North America
Owner's Guide	A13080701	A13080701
Installation Instructions	809127105	809127105
Service Data Sheet	808532646	808532646

Frigidaire

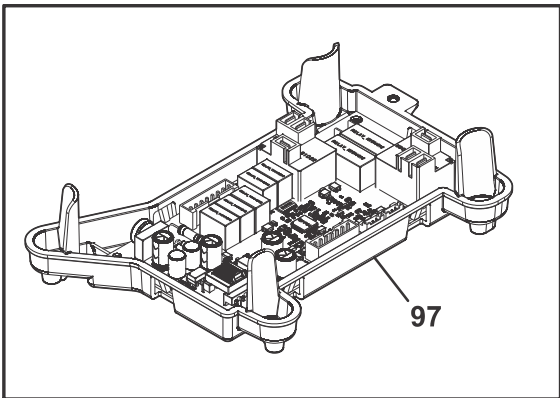
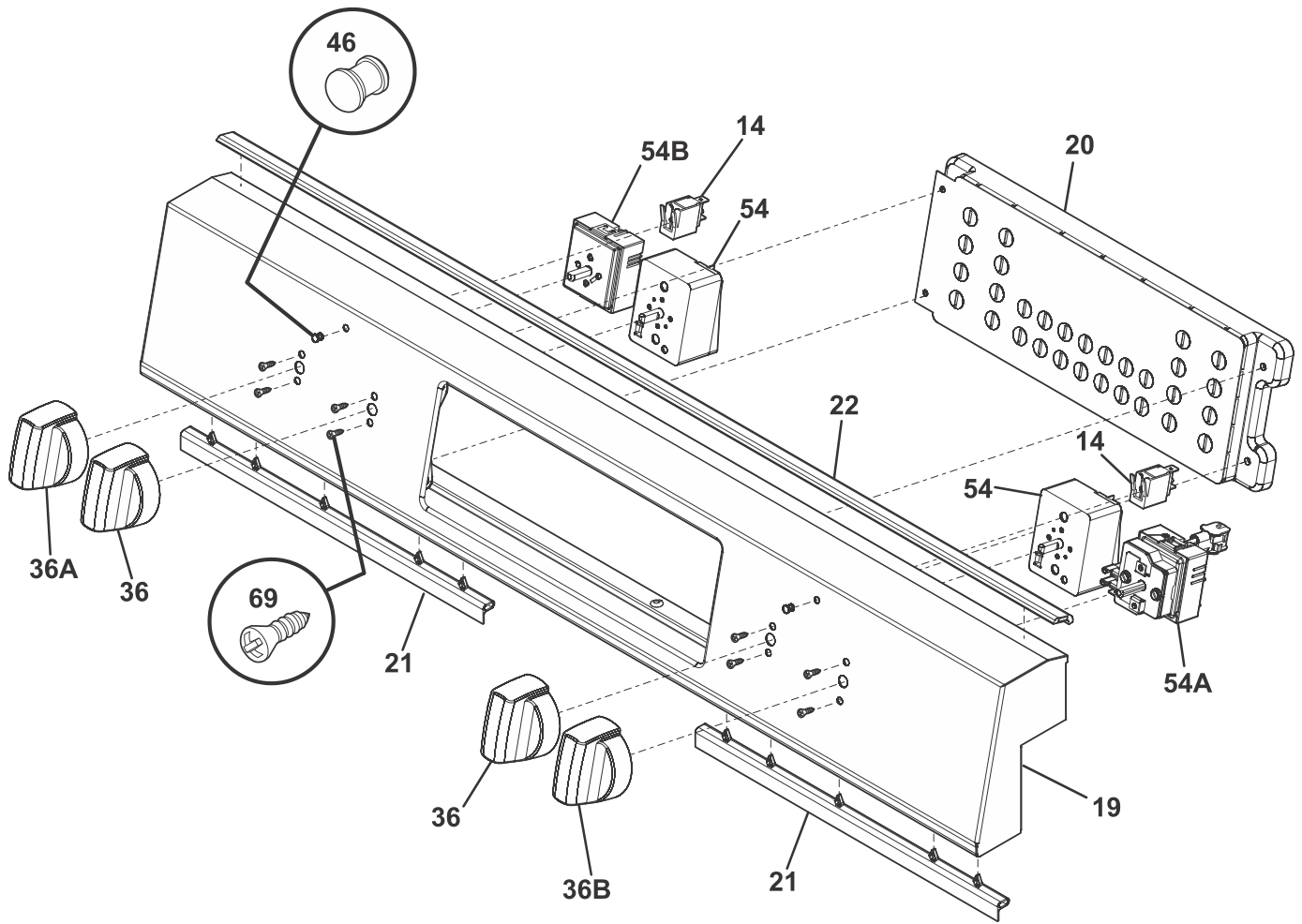
P.O. BOX 8020
CHARLOTTE, NC 28262

Publication No.
5995719530
20/01/02
(EN/SERVICE/)
369

30-INCH FREE- STANDING ELECTRIC RANGE

Model No.
FGEH3047V

BACKGUARD



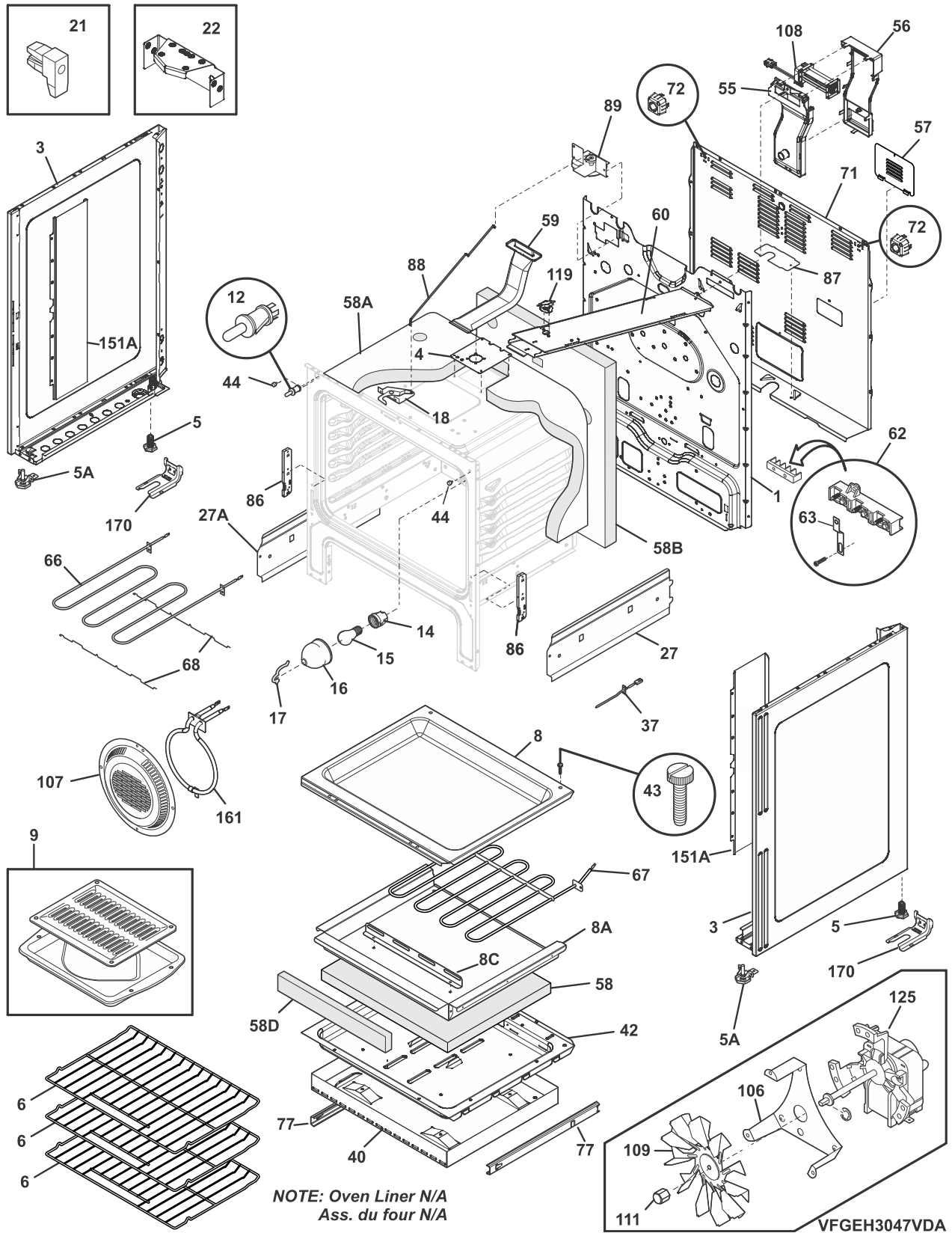
CFGEH3047VDA

BACKGUARD

Model Index: A FGEH3047V (FGEH3047VDB)
 B FGEH3047V (FGEH3047VFB)

POS. NO	PART NO.		DESCRIPTION
14 #	316022500	A B	Light/Lamp, indicator, black, 125 V
19	5304518015	A -	Control Panel, front, black stainless
19	5304521013	- B	Control Panel, front, stainless
*	316021109	A B	Screw, 8-18 x 0.5, chrome
20 #	5304523364	A B	Controller, electronic, black, ES501E
20*	5304521041	A B	Insulator, controller, w/adhesv tape
21	5304521020	A B	Seal, control panel
22	5304521042	A -	Bumper Guard, assembly, magnetic
36	5304521005	A -	Knob, infinite switch, black stainless, single
36	5304521003	- B	Knob, infinite switch, stainless, single
36A	5304521006	A -	Knob, infinite switch, black stainless, dual
36A	5304521004	- B	Knob, infinite switch, stainless, dual
36B	5304521008	A -	Knob, infinite switch, black stainless, triple
36B	5304521007	- B	Knob, infinite switch, stainless, triple
46	316557300	A B	Lens-light/lamp, indicator, clear
54 #	316436000	A B	Switch, infinite, small element
54A#	807004702	A B	Switch, triple, infinite
54B#	5304522918	A B	Switch, infinite, Radiant dual
69	5303288565	A B	Screw, truss sqdr, 8-32 x 3/16, switch mtg
97 #	5304516862	A B	Board, pc, oven relay
97*	5303289910	A B	Screw, truss sqdr, 8A x 1", 62*
* #	5304522933	A B	Harness, wiring, backslash
*	5304520393	A B	Spacer, foam block, 2" x 1", w/adhesive

BODY

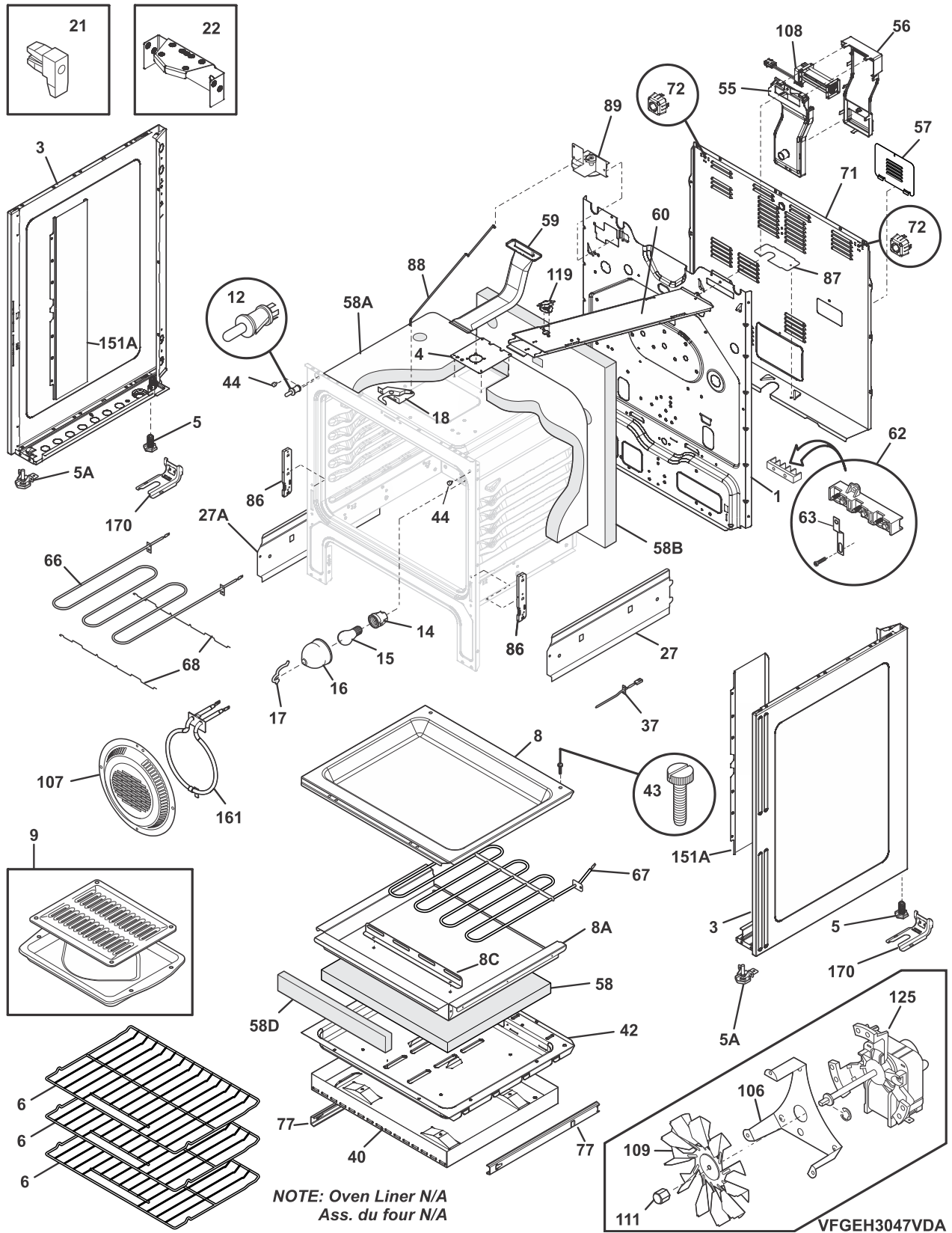


BODY

Model Index: **A** FGEH3047V (FGEH3047VDB)
B FGEH3047V (FGEH3047VFB)

POS. NO	PART NO.		DESCRIPTION
1	5304514161	A B	Back, main
3	316400136	A B	Panel, bodyside, black, RH
3	316400137	A B	Panel, bodyside, black, LH
4	5304514136	A B	Plate, oven vent
4*	297174300	A B	Screw, self pierce, #8, 18x.63
5	316272900	A B	Screw, leveling, plastic, rear, (2)
5A	5304509869	A B	Leveling Leg Assy, metal, front, (2), bracket & leg
*	316021132	A B	Screw, 8-18 X 11/16, black, (3)
6	316498003	A B	Rack, oven
8	316505601	A B	Panel, oven bottom
8*	316064600	A B	Support, oven bottom
8A	316505701	A B	Base, bake element
8C	316505801	A B	Support, element
9	5304494997	A B	Broil Pan Kit, pan & insert, slate blue, Optional, accessory
12 #	316445501	A B	Switch, oven light, door frame
14 #	316116400	A B	Receptacle, oven light
15	316538904	A B	Lamp, oven light
16	318406100	A B	Lens, oven light, glass
17	316087500	A B	Retainer, lens
18 #	316405800	A B	Latch Assembly, oven door
*	5303285179	A B	Screw, wafer head, 8-32T x 0.500, black, 44*
21	316408000	A B	Clip, bodyside
22	5304514125	A B	Bracket, support, body side, (2)
22*	316279600	A B	Screw, bracket, stiffener, (4)
27	316604100	A B	Shield, warmer side, RH
27A	316604101	A B	Shield, warmer side, LH
37 #	316490000	A B	Probe, oven temp
40	316602600	A B	Shield, warmer drawer
42	316601600	A B	Shield, chassis, lower
43	3131732	A B	Screw, 8-18 x 1.438, oven bottom
44	316517600	A B	Bumper, front, main
55	5304514171	A B	Duct, inlet air, front
56	5304514172	A B	Duct, inlet air, rear
57	316283600	A B	Cover, access
58	316403804	A B	Insulation, oven sump
58A	316403700	A B	Insulation, oven wrapper
58B	316403600	A B	Insulation, oven back
58D	316509700	A B	Insulation, oven bottom
59	5304514160	A B	Tube, oven vent, upper
60	5304522591	A B	Duct Assembly, cooling, toggle lock
62 #	5303935271	A B	Terminal Block Kit
62*	316001003	A B	Screw, ground wire
62*	316205500	A B	Nut, hex flange, 3/8 10-32
62*	316542203	A B	Insulator
63	316542600	A B	Plate, grounding strap
66 #	316203301	A B	Element, broil
67 #	316505500	A B	Element, bake, 3000W
68	316429100	A B	Support, element, broil
71	5304514174	A B	Shield, wire, rear

BODY

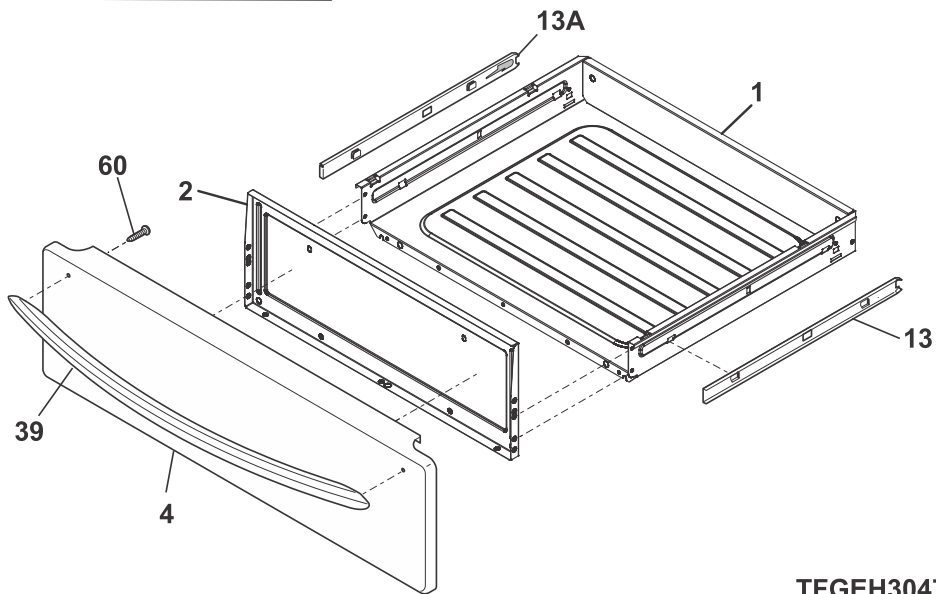
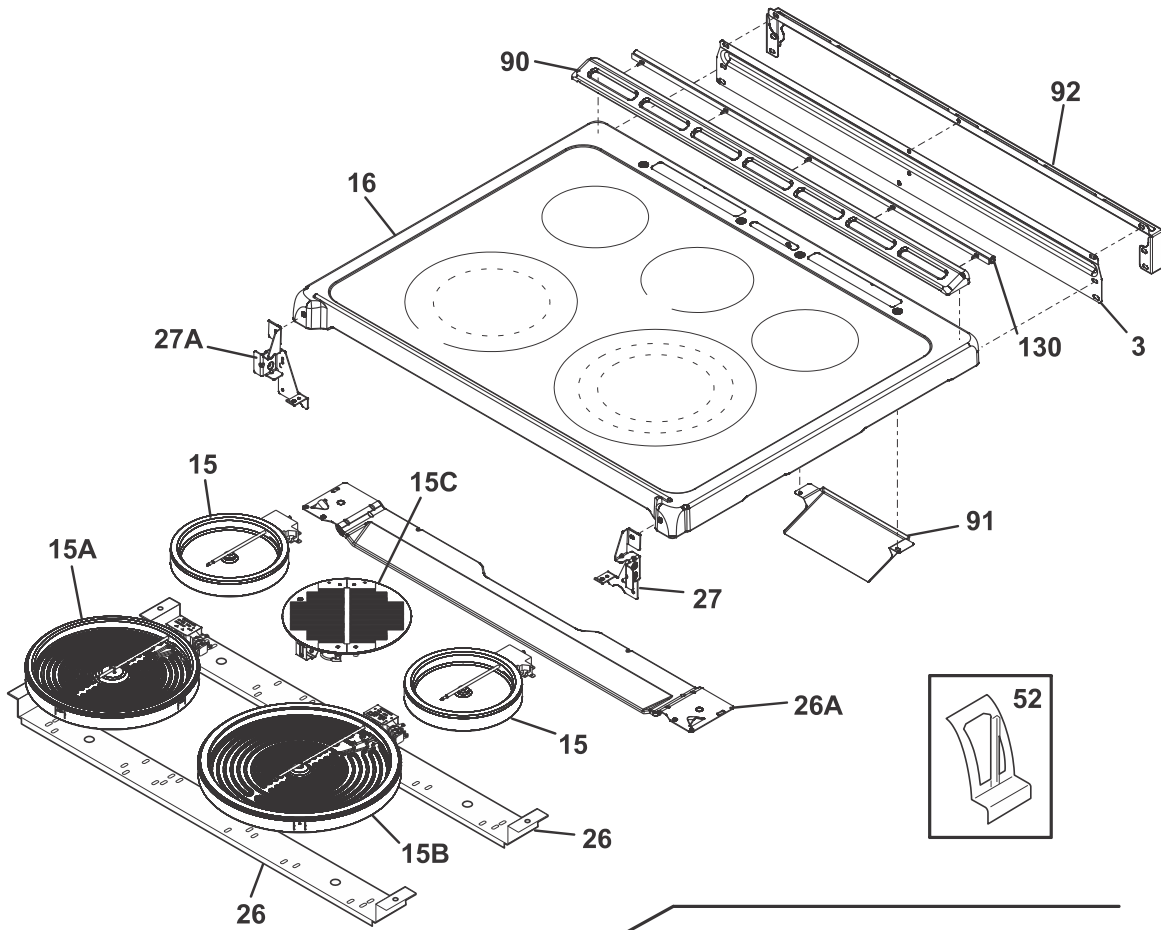


BODY

Model Index: **A** FGEH3047V (FGEH3047VDB)
B FGEH3047V (FGEH3047VFB)

POS. NO	PART NO.		DESCRIPTION
72	5304514177	A B	Spacer, wire shield, (2)
77	316456700	A B	Glide, warmer drawer, outer/RH & LH, (2)
86	316508600	A B	Receptacle, hinge, (2)
*	316418900	A B	Screw, sims lp, #8-32 x 5/16", black
87	316081200	A B	Bracket, cable mtg
88	316232702	A B	Rod, auto latch
89 #	316464300	A B	Motor-latch
106	316404100	A B	Bracket, motor mtg.
107	316026701	A B	Cover, fan
*	5303271648	A B	Screw, wafer hd sq dr, 8-18AB x 0.5
108#	5304514166	A B	Fan Assembly, cooling
109	318398302	A B	Fan Blade
111	316136600	A B	Nut, fan retainer
119#	318578506	A B	Thermostat, safety, 105C
125#	316256100	A B	Motor-fan
*	5303289910	A B	Screw, truss sqdr, 8A x 1", 62*
151A	5304521158	A B	Shield, bodyside
161#	5304518014	A B	Element, convection, 900W
170	316112005	A B	Anti Tip Kit, assy, w/template
170*	316107200	A B	Bracket, anti-tip
170*	316116000	A B	Screw, concrete, 1.75", anti-tip brkt
170*	316541700	A B	Template, anti-tip
* #	5304518020	A B	Harness, wiring, main
* #	5304518021	A B	Harness, wiring, low voltage
*	316021105	A B	Screw, hex head cup pt, 8-18 x 0.375, black
*	316021109	A B	Screw, 8-18 x 0.5, chrome
*	316089500	A B	Screw, 10-16 x .486
*	5303288566	A B	Screw, TR HD SQD AB, 8-18 x 0.25, (8)

TOP/DRAWER



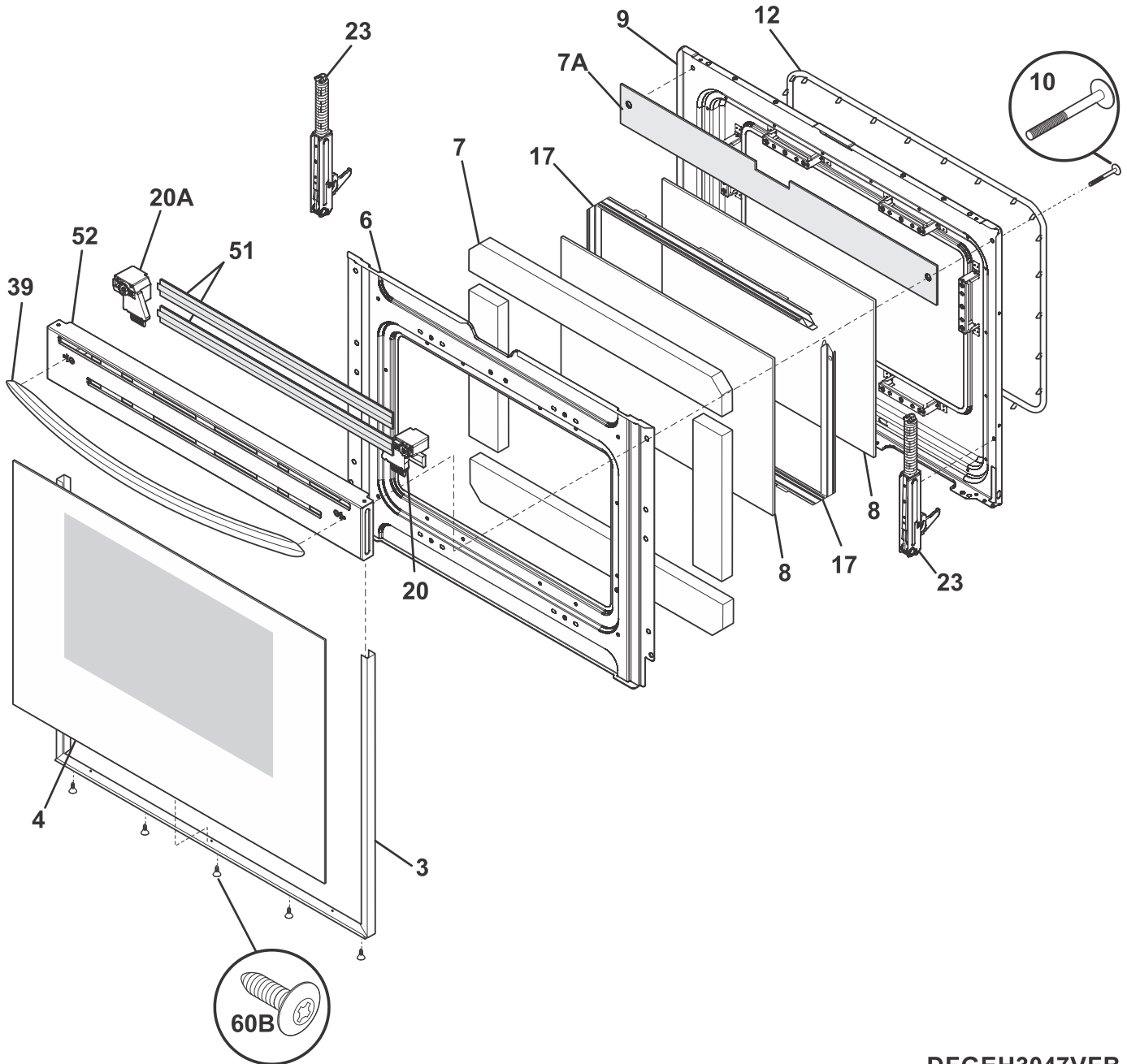
TFGEH3047VDA

TOP/DRAWER

Model Index: **A** FGEH3047V (FGEH3047VDB)
B FGEH3047V (FGEH3047VFB)

POS. NO	PART NO.		DESCRIPTION
1	807108405	A B	Drawer, warmer
*	316089500	A B	Screw, 10-16 x .486
2	5304518924	A B	Liner, warmer
3	5304514133	A B	Shield, rear wall, upper
4	5304517133	A -	Panel, drawer, black stainless
4	5304517477	- B	Panel, drawer, stainless
13	316415000	A B	Glide, warmer, inner RH
13A	316415001	A B	Glide, warmer, inner LH
15 #	318178110	A B	Element, surface, 6", 1200, (2), radiant
15A#	5304516844	A B	Element, dual, 9/6", surface, 1400/3200W
15B#	318297810	A B	Element, triple, 1200/2000/3000W, 6"/9"/12"
15C#	5304521951	A B	Element, warmer, 100 W
16	5304516852	A B	Smoothtop, assembly, glass/steel, black
26	5304512926	A B	Channel, element support
26A	5304514126	A B	Bracket, support, rear, chassis
27	5304514123	A B	Bracket, mounting, RH, cooktop
27A	5304514124	A B	Bracket, mounting, LH, cooktop
*	5303285179	A B	Screw, wafer head, 8-32T x 0.500, black, 44*
39	5304518030	A -	Handle, door/drawer, black stainless
39	5304518029	- B	Handle, door/drawer, stainless
52	316461700	A B	Clip, element mtg
52*	5308014215	A B	Screw, 6-20 x 0.312
60	5303288572	A B	Screw-handle mtg
90	5304514157	A B	Trim, vent, black, rear
91	5304514181	A B	Deflector, moisture, (2)
92	5304520261	A B	Rear Filler Kit, FCFS range, black
130	808931802	A B	Seal, maintop, silicone, rear
* #	5304516837	A B	Harness, wiring, surface
*	316021105	A B	Screw, hex head cup pt, 8-18 x 0.375, black
*	316021109	A B	Screw, 8-18 x 0.5, chrome

DOOR



DFGEH3047VFB

DOOR

Model Index: **A** FGEH3047V (FGEH3047VDB)
 B FGEH3047V (FGEH3047VFB)

POS. NO	PART NO.		DESCRIPTION
3	5303935378	A B	Trim kit-door, 3 sided, black, w/tape
4	316355501	A B	Glass Assembly, door, black, outer, w/foil
6	316402315	A B	Shield, wool
7	316403900	A B	Insulation, oven door
7A	5304518033	A B	Insulation, door liner, top
8	316117506	A B	Glass, oven door, inner
9	316423814	A B	Liner, oven door
10	316513301	A B	Screw, handle mtg, 10-24 x 2.188, (2)
12	5304498835	A B	Seal, oven door
17	5304504811	A B	Spacer, glass
20	316353004	A B	Spacer, door, RH
20A	316353005	A B	Spacer, door, LH
23	5304521043	A B	Hinge, door, orange, dual spring
23*	316418900	A B	Screw, sims lp, #8-32 x 5/16", black
39	5304518030	A -	Handle, door/drawer, black stainless
39	5304518029	- B	Handle, door/drawer, stainless
51	316355300	A B	Insulation, door, top cap
52	5304518017	A -	Door Cap, assembly, black stainless, insul & spacers
52	5304518016	- B	Door Cap, assembly, stainless, insul & spacers
60B	316021109	A B	Screw, 8-18 x 0.5, chrome
*	316483102	A B	Label, anti-tip