



FRIGIDAIRE

Factory Parts Catalog

Product No.	FFEF3054TDH
Series	30" f/s elec
Color	black stainless
Market	North America
Owner's Guide	808527608
Installation Instructions	316454912
Service Data Sheet	808532574

Frigidaire

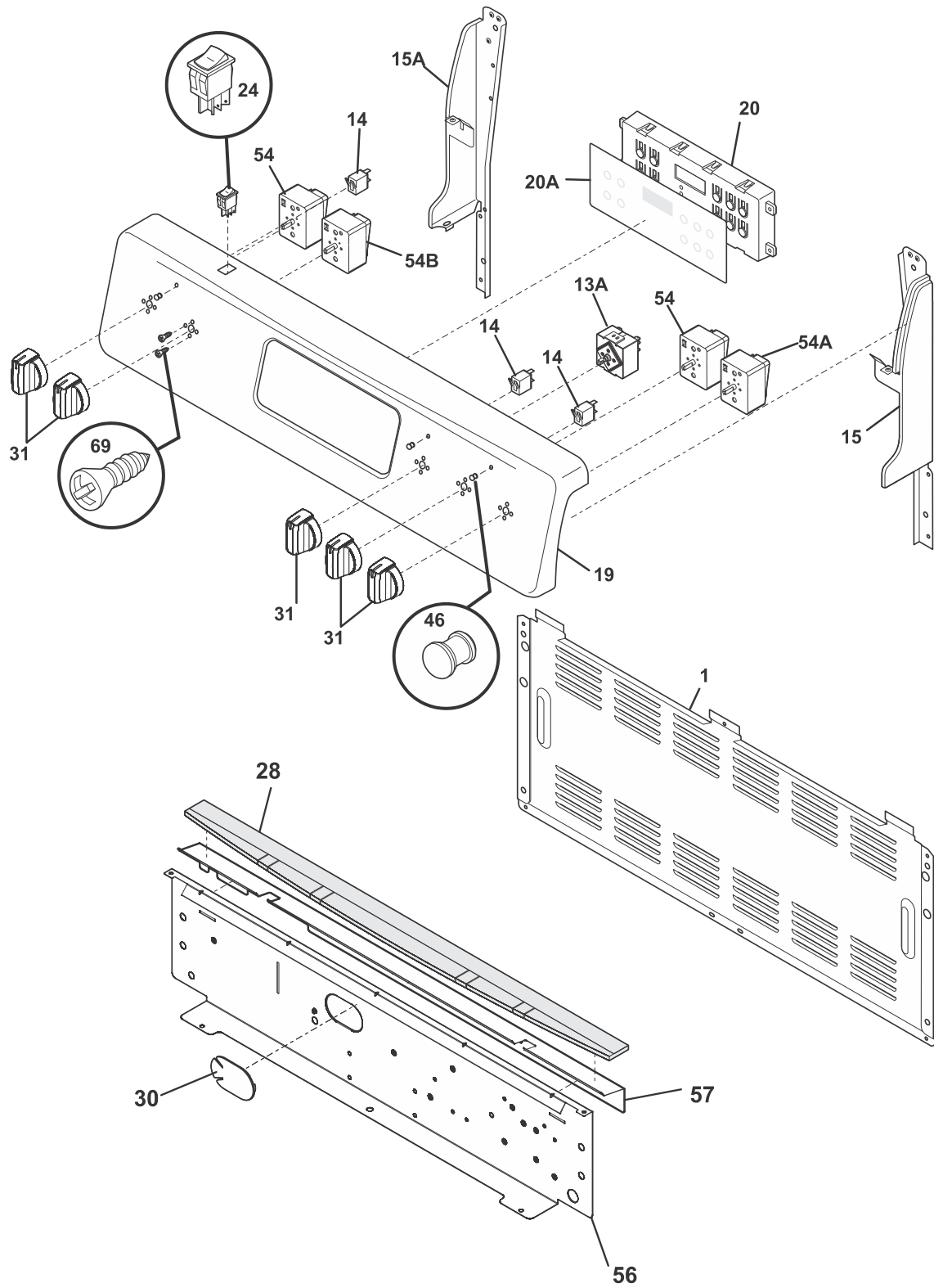
P.O. BOX 8020
CHARLOTTE, NC 28262

Publication No.
5995718854
19/11/21
(EN/SERVICE/)
369

30-INCH FREE- STANDING ELECTRIC RANGE

Model No.
FFEF3054T

BACKGUARD

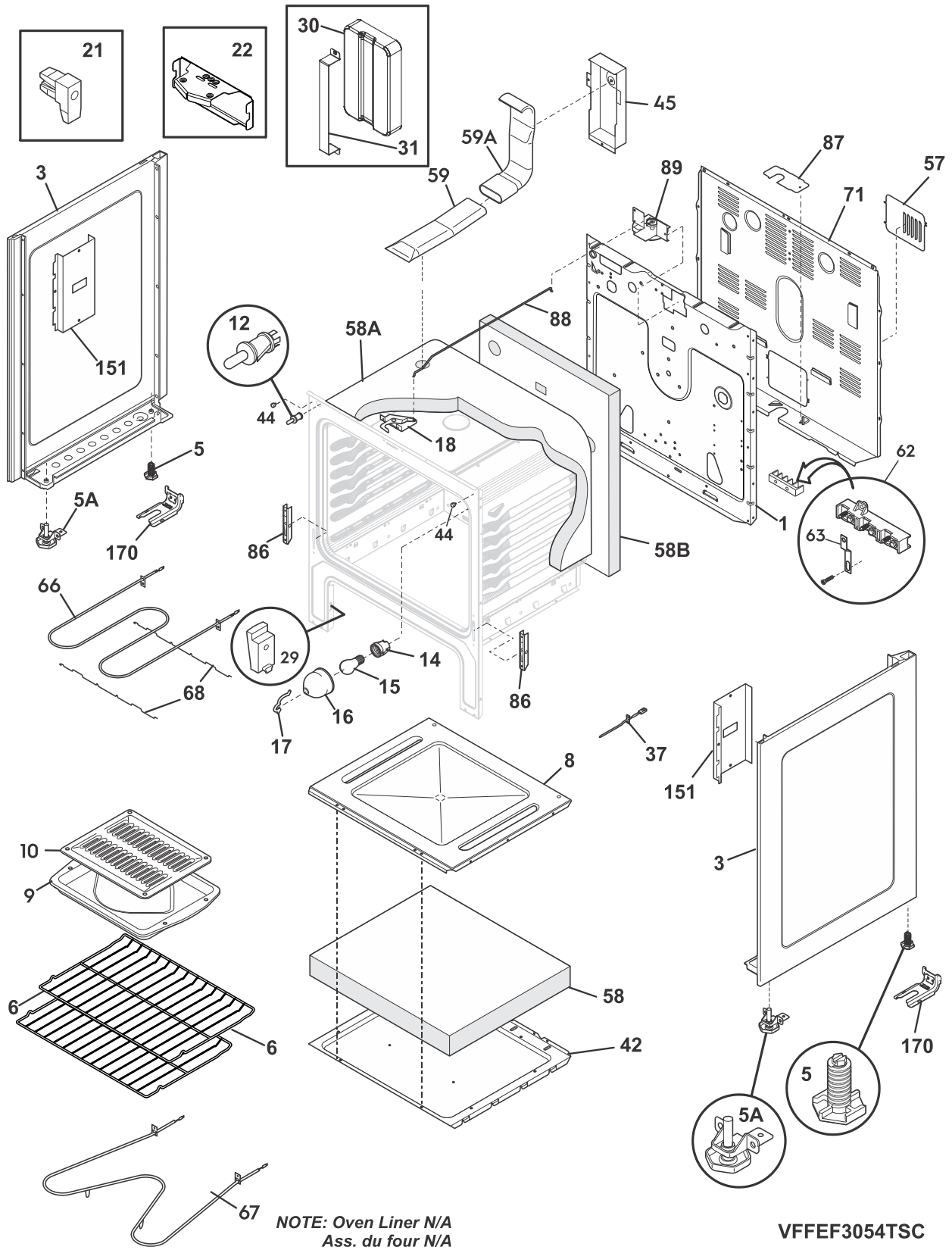


CFFEF3054TSJ

BACKGUARD

POS. NO	PART NO.	DESCRIPTION
1	316281802	Shield, backguard, rear wall
13A#	5304522964	Switch, infinite, warmer
14	316022500	Light/Lamp, indicator, black, 125 V
15	5304493644	Cap, end, black, RH
15A	5304493646	Cap, end, black, LH
19	5304509212	Panel, backguard, black stainless
20 #	5304508925	Controller, electronic, ES300
20A	316419145	Overlay, clock, black, ES300
24 #	5304515139	Switch, rocker, black, oven light
28	316528700	Insulation, manifold panel
30	316577600	Plug, button, oval, harness
31	5304508956	Knob, control, black
46	316557300	Lens-light/lamp, indicator, clear
54 #	316436000	Switch, infinite, small element
54A#	316436001	Switch, infinite, large element
54B#	5304522918	Switch, infinite, Radiant dual
56	316234045	Shield, backguard, black, inner
57	808950202	Shield, steam
69	5303288565	Screw, truss sqdr, 8-32 x 3/16, switch mtg
*	316021105	Screw, hex head cup pt, 8-18 x 0.375, black
*	316021109	Screw, 8-18 x 0.5, chrome
*	316089500	Screw, 10-16 x .486

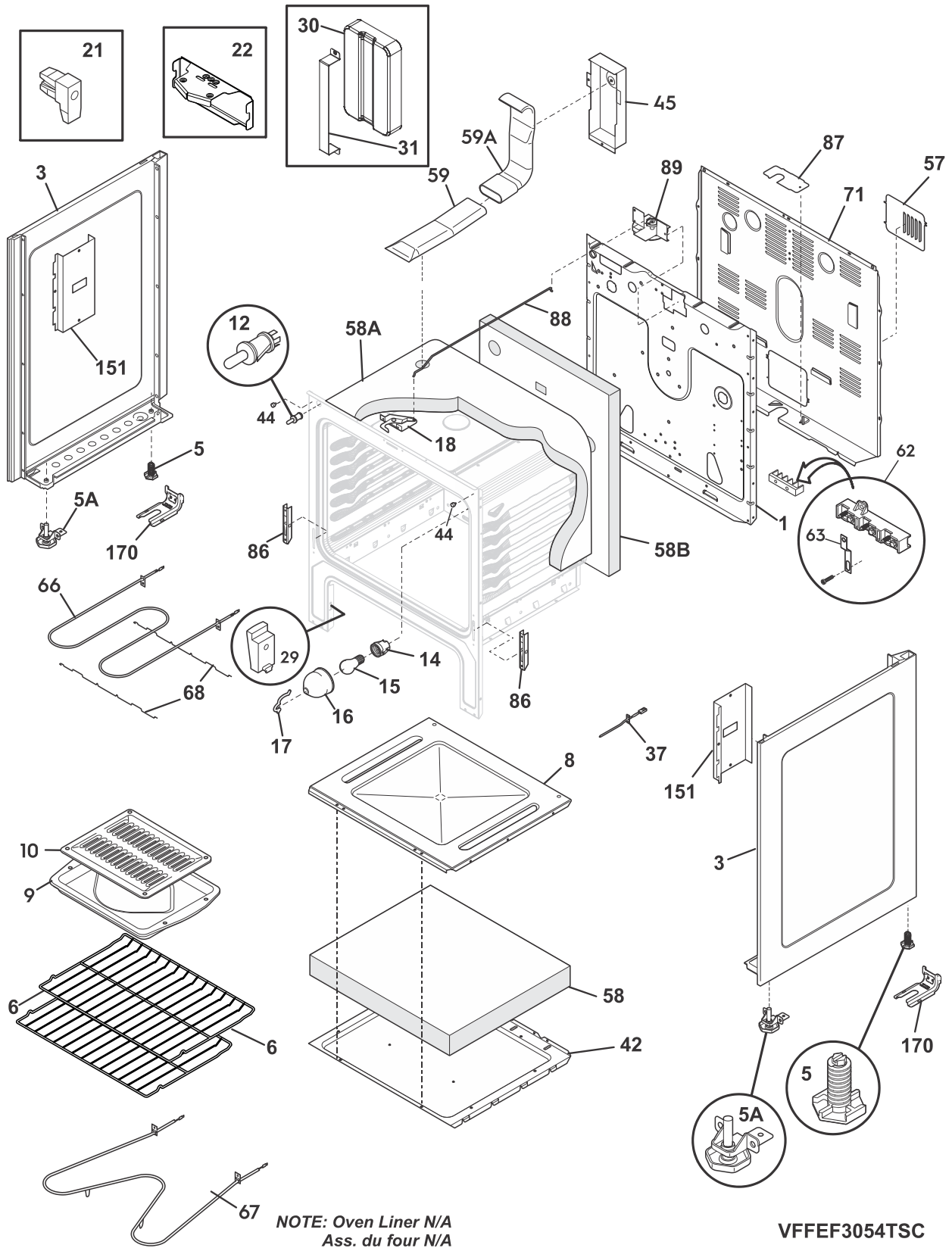
BODY



BODY

POS. NO	PART NO.	DESCRIPTION
1	316401805	Panel, main back
*	316418901	Screw, trilobe, 10-32 x 5/16", black
3	316400136	Panel, bodyside, black, RH
3	316400137	Panel, bodyside, black, LH
5	316272900	Screw, leveling, plastic, rear, (2)
5A	5304509869	Leveling Leg Assy, metal, front, (2), bracket & leg
6	316496201	Rack, oven
8	316400601	Panel, oven bottom
*	316282700	Screw, w/washer, 8-18
*	316260800	Screw-shoulder, w/shoulder, #8-18 x 1/2"
*	316506000	Bracket, support, oven bottom, (2)
9	316081900	Pan, broilerOPTIONAL ACCESSORY
10	316082000	Insert, broiler panOPTIONAL ACCESSORY
12	316445501	Switch, oven light, door frame
14	316116400	Receptacle, oven light
15	316538901	Lamp, oven light
16	318406100	Lens, oven light, glass
17	316087500	Retainer, lens
18 #	316405800	Latch Assembly, oven door
21	316408000	Clip, bodyside
22	316286300	Bracket-bodyside, (2)
*	316279600	Screw, bracket, stiffener, (4)
30	5304511083	Counterweight, concrete block
31	5304511084	Bracket, concrete block
37 #	316490000	Probe, oven temp
42	316400701	Shield, wool, lower
44	316517600	Bumper, front, main
*	5303285179	Screw, wafer head, 8-32T x 0.500, black, 44*
45	316234100	Shield, wire, vent tube
57	316283600	Cover, access
58	316403803	Insulation, oven bottom
58A	316406602	Insulation, oven wrapper
58B	316406500	Insulation, oven back
59	316208401	Vent Tube, assembly, w/catalyst
59*	316247300	Catalyst, oven vent, ceramic
59A	316208304	Tube, oven vent, upper
62 #	5303935271	Terminal Block Kit
62*	316001003	Screw, ground wire
62*	316205500	Nut, hex flange, 3/8 10-32
62*	316542203	Insulator
63	316542600	Plate, grounding strap
66 #	316203200	Element, broil, 4 pass
67 #	316075103	Element, bake, 4 pass
68	316404002	Support, element, broil
71	316283204	Shield, rear wall
86	316441300	Receptacle, hinge
86*	316418900	Screw, sims lp, #8-32 x 5/16", black
87	316081200	Bracket, cable mtg
88	316203500	Rod, auto latch
89 #	316464300	Motor-latch
151	316404601	Shield, bodyside

BODY

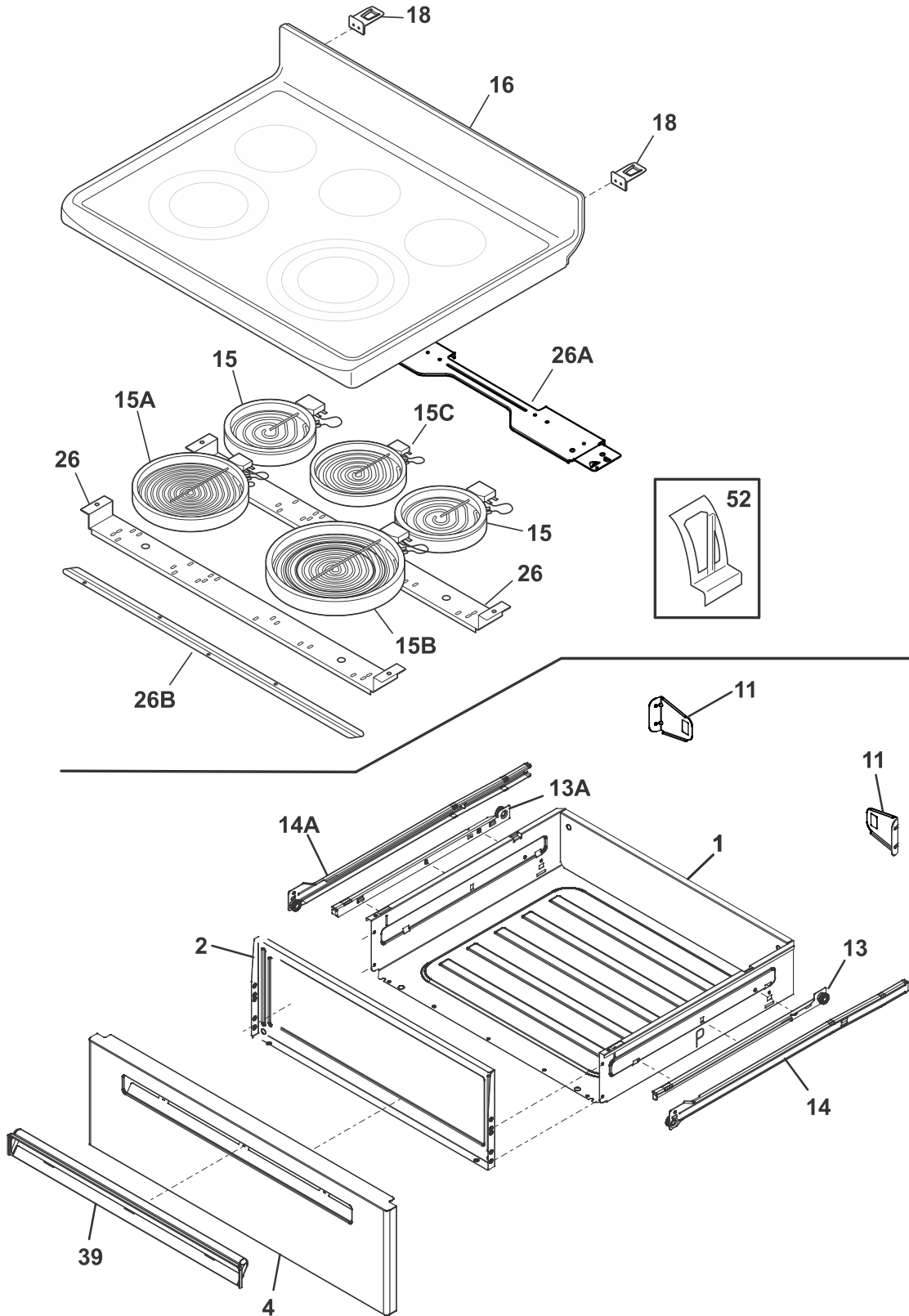


VFFEF3054TSC

BODY

POS. NO	PART NO.	DESCRIPTION
170	316112005	Anti Tip Kit, assy, w/template
170*	316107200	Bracket, anti-tip
170*	316116000	Screw, concrete, 1.75", anti-tip brkt
170*	316541700	Template, anti-tip
* #	5304516199	Harness, wiring, main
*	316021105	Screw, hex head cup pt, 8-18 x 0.375, black
*	316021109	Screw, 8-18 x 0.5, chrome
*	316089500	Screw, 10-16 x .486

TOP/DRAWER

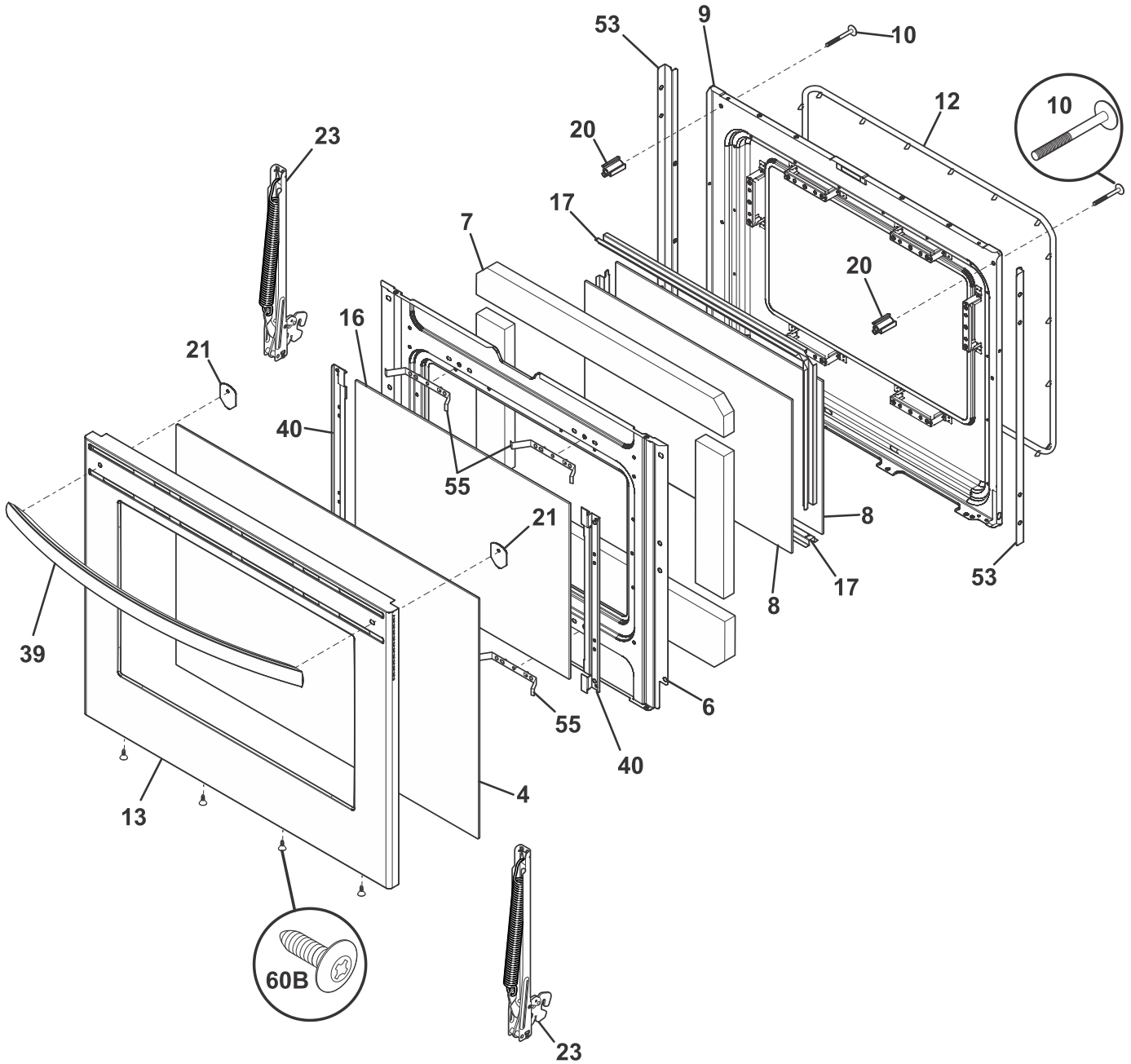


TFFEF3054TDG

TOP/DRAWER

POS. NO	PART NO.	DESCRIPTION
1	316408706	Drawer, utility
2	5304511827	Liner, drawer
4	5304510526	Panel, drawer, black stainless, w/integtrd hole
11	5304517906	Bracket, rear support, (2)
13	5304517905	Glide, drawer, black, RH inner
13A	5304517903	Glide, drawer, black, LH inner
14	5304517904	Glide, drawer, black, RH outer
14A	5304517902	Glide, drawer, black, LH outer
15 #	318178110	Element, surface, 6", 1200, (2), radiant
15A#	316282000	Element, dual, 9"/6", surface, 3000W, quick boil
15B#	316291200	Element, surface, 12", 2700W
15C#	5304521951	Element, warmer, 100 W
16	5304513244	Smoothtop, assembly, glass/steel, black/white
18	316580800	Bracket-hinge, main top
26	5304512926	Channel, element support
26A	316498200	Bracket-support, chassis, aluminum
26B	316607600	Bracket, chassis support, front
39	5304511287	Handle, drawer, black, insert
52	316461700	Clip, element mtg
52*	5308014215	Screw, 6-20 x 0.312
* #	5304522973	Harness, surface
*	316021105	Screw, hex head cup pt, 8-18 x 0.375, black
*	316021109	Screw, 8-18 x 0.5, chrome
*	316089500	Screw, 10-16 x .486
*	316418901	Screw, trilobe, 10-32 x 5/16", black

DOOR



DFFEF3054TDA

DOOR

POS. NO	PART NO.	DESCRIPTION
4	316452758	Glass, oven door, black, w/foil
6	316406312	Shield-wool
7	316405600	Insulation, oven door
8	316117502	Glass, oven door, heat barrier, inner, HRC2
9	316423707	Liner, oven door
10	316439500	Screw, handle mtg., 10-24 x 1.75", (2)
12	316405000	Seal, oven door
13	316603904	Panel, oven door, black stainless, outer
16	316552801	Glass, door, airwash
17	5304504811	Spacer, glass
20	316284100	Spacer, door handle, (2)
21	316533801	Plate, distribution, load
23	316575911	Hinge, oven door, brown
23*	316418900	Screw, sims lp, #8-32 x 5/16", black
39	5304509119	Handle, door, black stainless
40	316552401	Bracket, airwash glass, (2)
53	316408201	Shield, door filler, black, (2)
55	316408300	Bracket, glass support, (4)
60B	316021109	Screw, 8-18 x 0.5, chrome
*	316483102	Label, anti-tip
*	5304508804	Touch up paint, pen, black stainless
*	316021105	Screw, hex head cup pt, 8-18 x 0.375, black
*	5303285179	Screw, wafer head, 8-32T x 0.500, black, 44*