



FRIGIDAIRE

Factory Parts Catalog

Product No.	FFGH3054USC
Series	30" FSFC gas
Color	stainless
Market	North America
Owner's Guide	A13080801
Installation Instructions	809127206
Service Data Sheet	808533117

Frigidaire

P.O. BOX 8020
CHARLOTTE, NC 28262

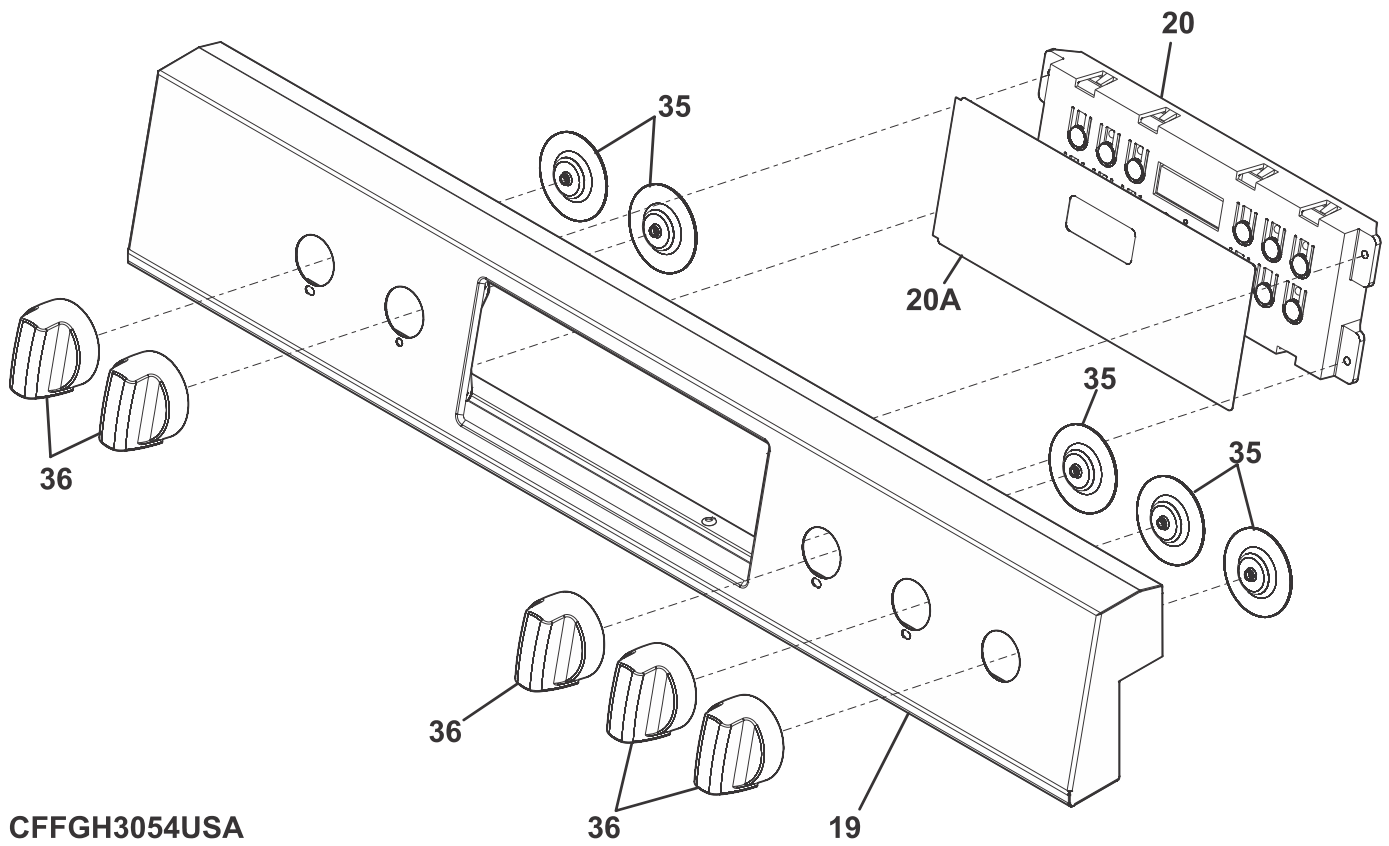
This Catalog replaces 5995715405

Publication No.
5995718581
19/10/30
(EN/SERVICE/)
369

30-INCH FREE- STANDING GAS RANGE

Model No.
FFGH3054U

BACKGUARD

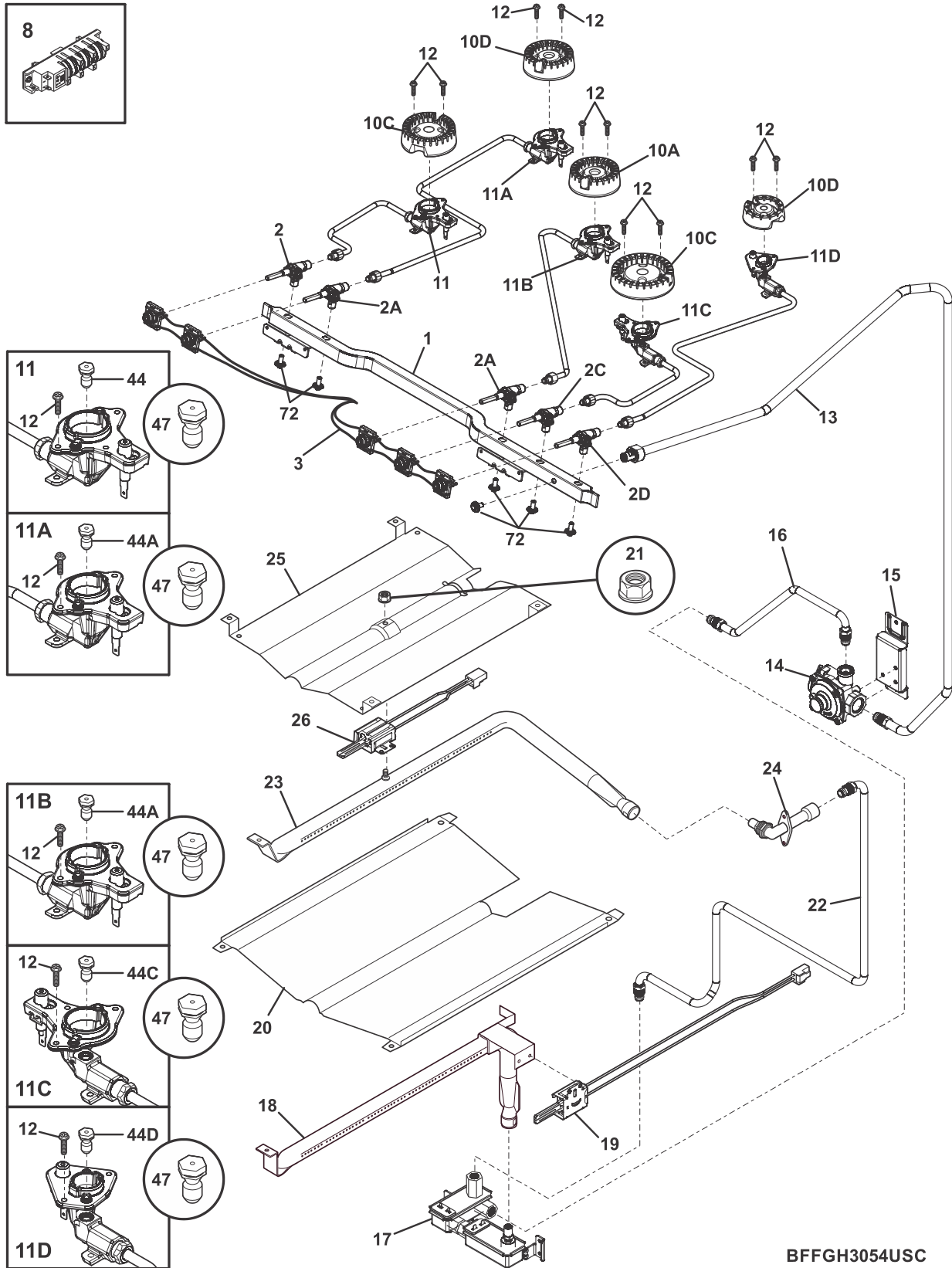


CFFGH3054USA

BACKGUARD

POS. NO	PART NO.	DESCRIPTION
19	5304514138	Control Panel, stainless
20 #	5304514107	Controller, electronic, oven, ES330
20A	316419380	Overlay, EOC, black, ES330
35	5304508440	Bushing, insulating
36	5304514114	Knob, top valve, stainless
*	316021109	Screw, 8-18 x 0.5, chrome

BURNER

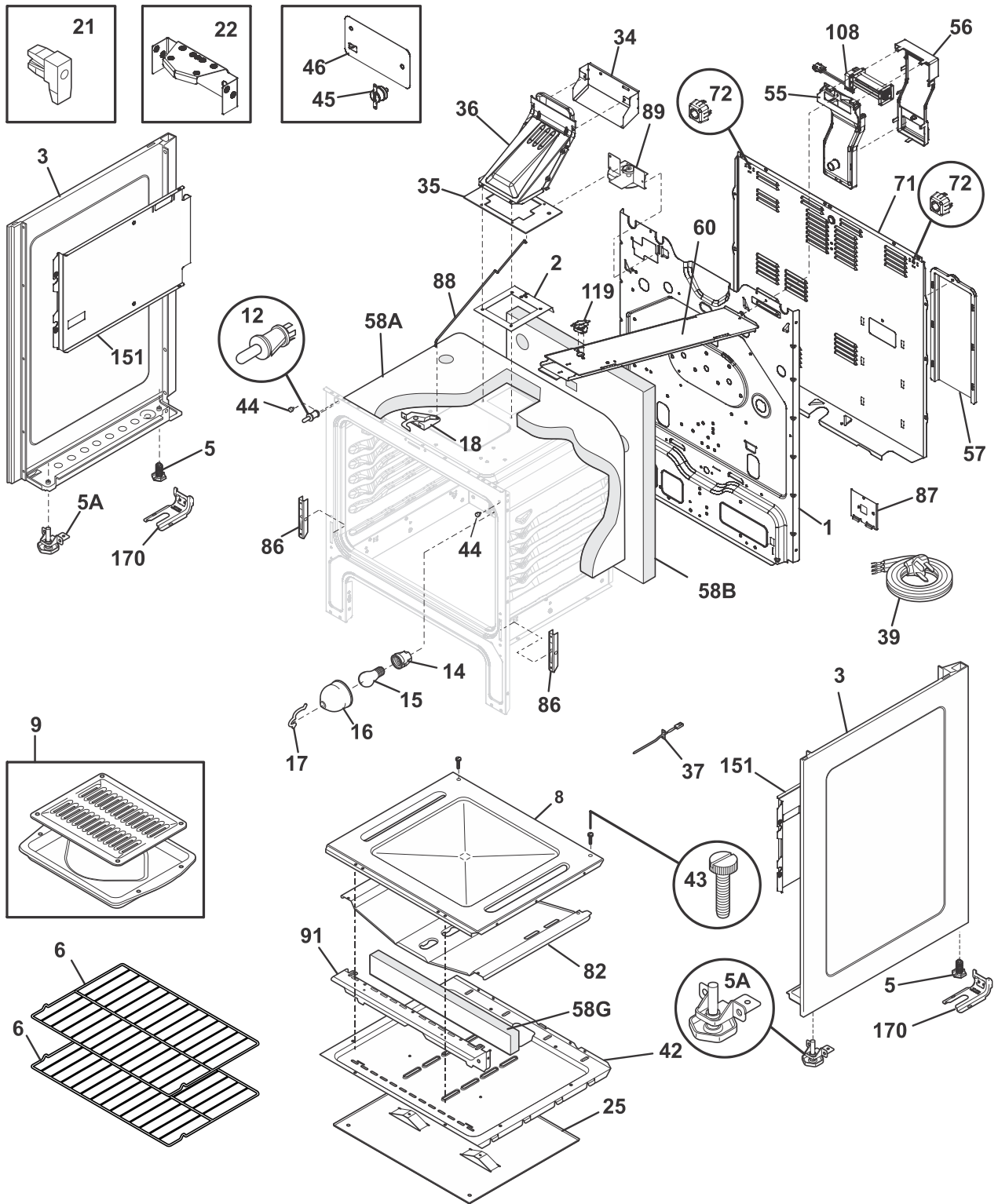


BFFGH3054USC

BURNER

POS. NO	PART NO.	DESCRIPTION
1 #	5304514134	Manifold, pipe
2 #	5304506550	Valve, top burner, white stem, 1500BTU
2A #	5304506547	Valve, top burner, black stem, 500BTU
2B #	5304506549	Valve, top burner, blue stem, 1125BTU
2C #	5304506548	Valve, top burner, green stem, 850BTU
3 #	5304518025	Switch Assembly, ignitor, w/harness
8 #	808608804	Spark Module
10A#	5304520368	Burner, Crown, medium, AFT
10C#	5304520369	Burner, Crown, large, AFT
10D#	5304520367	Burner, Crown, small, AFT
11 #	5304520384	Ignitor/Orifice Assembly, 12K, left front, assembly
11A#	5304520385	Ignitor/Orifice Assembly, 9.5K, left rear, assembly
11B#	5304520922	Ignitor/orifice assy., top burner, center, 9.5K, w/holder, tube
11C#	5304520923	Ignitor/orifice assy., top burner, RH front, 17K, w/holder, tube
11D#	5304520921	Ignitor/orifice assy., top burner, RH rear, 5K, w/holder, tube
12	316540900	Screw, burner, head mtg, (8)
13 #	5304514135	Tube, manifold supply
14 #	316091711	Regulator, pressure
15	316603300	Bracket, regulator
16 #	5304514182	Tube, safety valve
17 #	316031501	Valve, safety
*	316089500	Screw, 10-16 x .486
17*	316498100	Shield, wire, safety valve
18 #	316404400	Burner, oven
19 #	5304508786	Ignitor, bake
20	5304519024	Baffle, oven burner
21	5303013272	Nut, hex head sems
22 #	5304514183	Tube, safety valve, to mixer
23 #	316404302	Burner, broiler
24 #	5304516894	Elbow, mixer
*	297174300	Screw, self pierce, #8, 18x.63
25	5304497666	Baffle, broiler
26 #	5304506545	Ignitor, broiler
26*	316401500	Cover, broil Ignitor
35	5304508440	Bushing, insulating
47 #	GRLP4	LP Conversion Kit, w/instructions, Optional, accessory
72	316215600	Screw, valve mtg., 1/4 - 20
*	316001003	Screw, ground wire
*	316021104	Screw, hex, 8-18 x 3/8, nick, (3), regulator brkt
*	316021105	Screw, hex head cup pt, 8-18 x 0.375, black

BODY



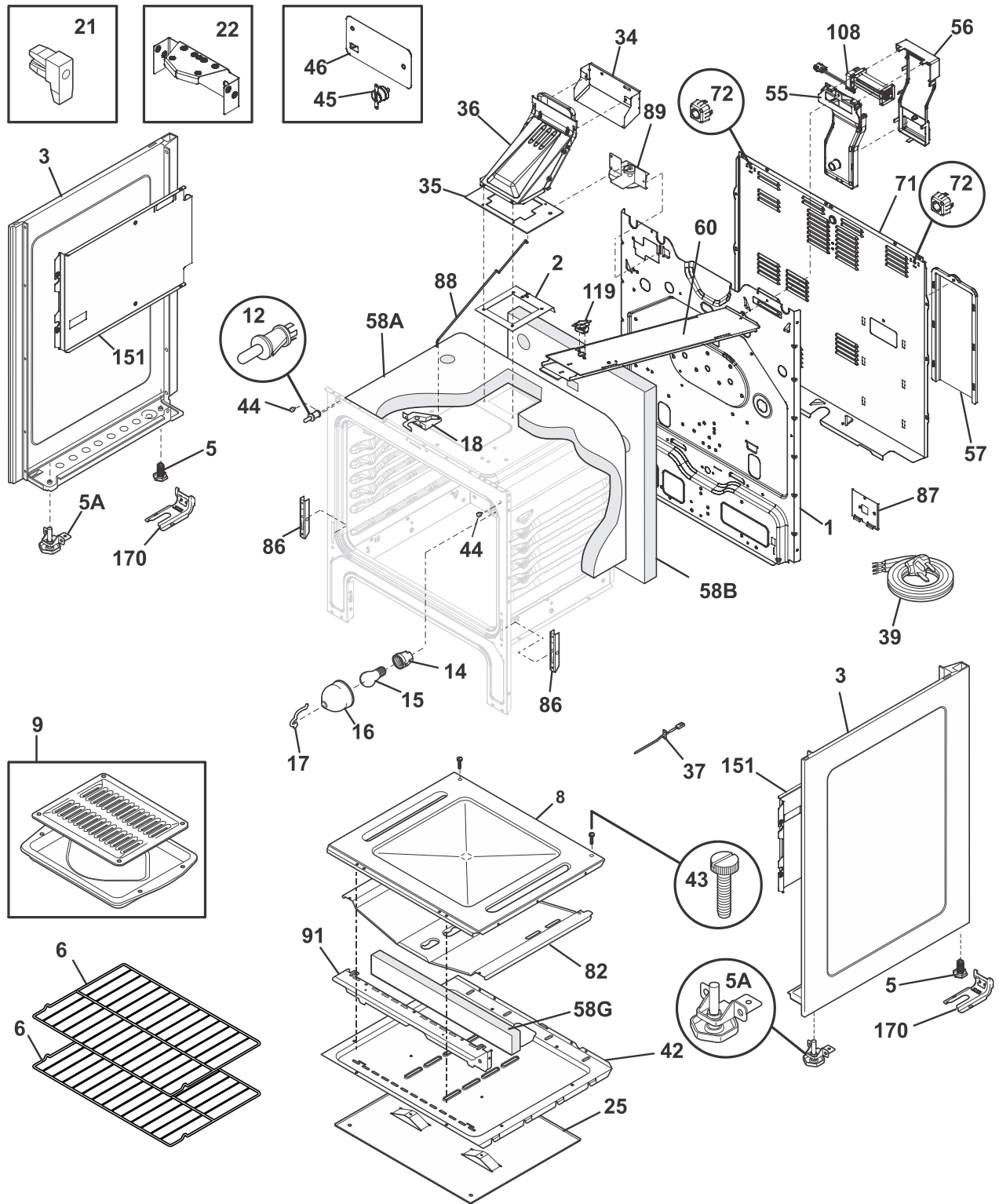
*NOTE: Oven Liner N/A
Ass. du four N/A*

VFFGH3054USA

BODY

POS. NO	PART NO.	DESCRIPTION
1	5304514161	Back, main
2	316437100	Brace, oven top
2*	297174300	Screw, self pierce, #8, 18x.63
3	316400136	Panel, bodyside, black, RH
3	316400137	Panel, bodyside, black, LH
5	316272900	Screw, leveling, plastic, rear, (2)
5A	5304509869	Leveling Leg Assy, metal, front, (2), bracket & leg
*	316021132	Screw, 8-18 X 11/16, black, (3)
6	316496201	Rack, oven
8	316400603	Panel, oven bottom
*	316260800	Screw-shoulder, w/shoulder, #8-18 x 1/2"
9	5304494997	Broil Pan Kit, pan & insert, slate blue, Optional, accessory
12 #	316445501	Switch, oven light, door frame
14 #	316116400	Receptacle, oven light
15 #	316538901	Lamp, oven light
16	318406100	Lens, oven light, glass
17	316087500	Retainer, lens
18 #	316405800	Latch Assembly, oven door
*	5303285179	Screw, wafer head, 8-32T x 0.500, black, 44*
21	316408000	Clip, bodyside
22	5304514125	Bracket, support, body side, (2)
22*	316279600	Screw, bracket, stiffener, (4)
25	316406200	Shield, heat, lower
34	5304514137	Shield, fluebox
35	316542102	Gasket-flue
36	5304514132	Fluebox, assembly
37 #	316490003	Probe, oven temp
39 #	5304509199	Cord, electric power, black
*	316001003	Screw, ground wire
42	316400700	Shield, wool, lower
43	3131732	Screw, 8-18 x 1.438, oven bottom
44	316517600	Bumper, front, main
45 #	5304514198	Thermostat, thermal cut-off, 110, auto reset
45*	5304514202	Nut, lock, M4 x .70, thermostat
46	5304514193	Plate, TCO mounting
55	5304514171	Duct, inlet air, front
56	5304514172	Duct, inlet air, rear
57	5304514173	Duct, exterior
58A	316403700	Insulation, oven wrapper
58B	316403600	Insulation, oven back
58G	08067973	Insulation, main front
60	5304514196	Duct Assembly, cooling, toggle lock
71	5304514175	Shield, wire, rear
72	5304514177	Spacer, wire shield, (2)
82	316400801	Shield, bake burner
82*	316432800	Clip, wire
86	316441300	Receptacle, hinge
*	316418901	Screw, trilobe, 10-32 x 5/16", black
87	316602200	Plate, power cord, mount
88	316232702	Rod, auto latch
89 #	316464300	Motor-latch

BODY



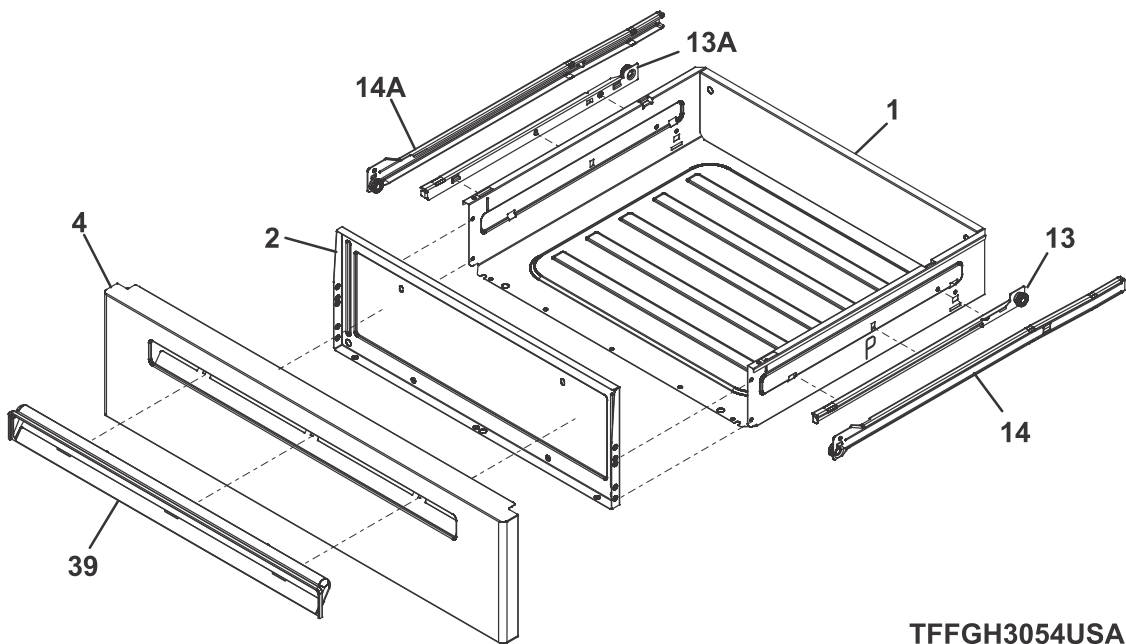
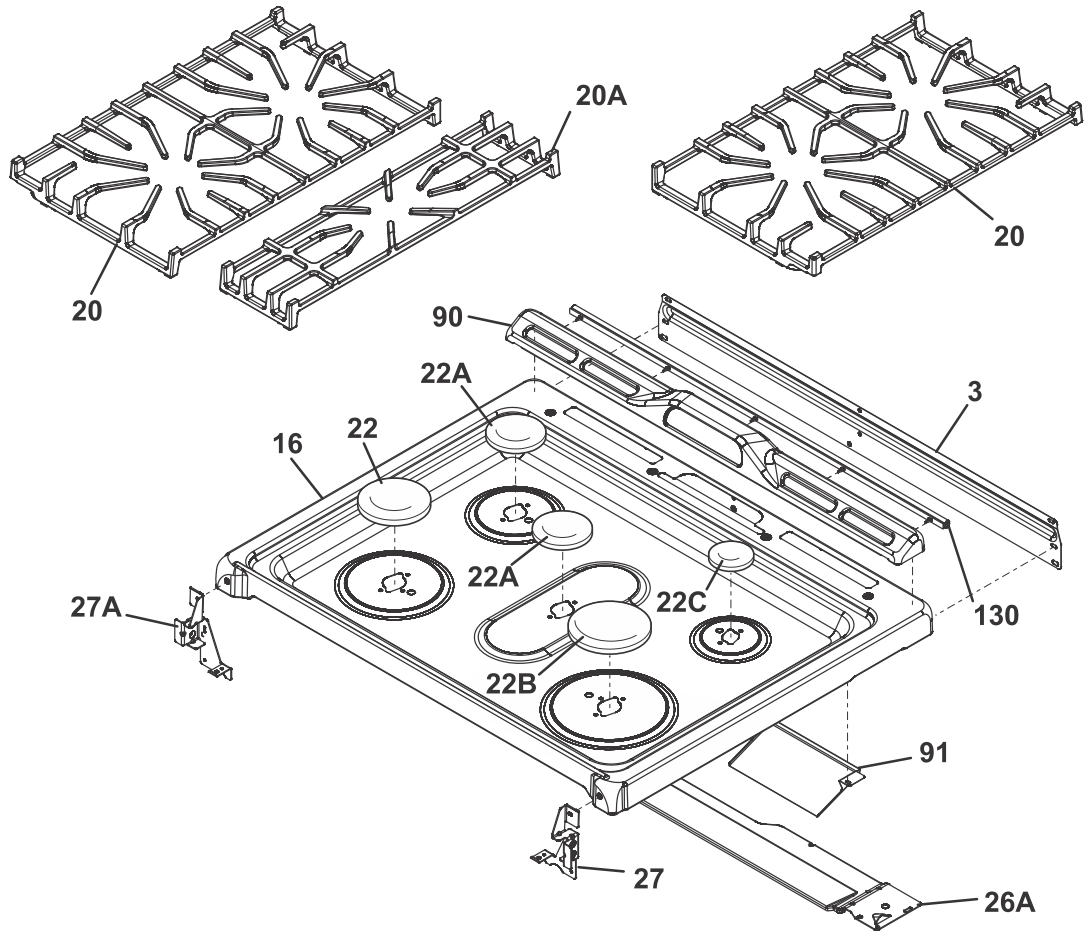
*NOTE: Oven Liner N/A
Ass. du four N/A*

VFFGH3054USA

BODY

POS. NO	PART NO.	DESCRIPTION
91	807219501	Shield, burner, front
108#	5304514166	Fan Assembly, cooling
119#	318578506	Thermostat, safety, 105C
151	5304518926	Shield, heat, bodyside, (2)
170	316112005	Anti Tip Kit, assy, w/template
170*	316107200	Bracket, anti-tip
170*	316116000	Screw, concrete, 1.75", anti-tip brkt
170*	316541700	Template, anti-tip
* #	5304518244	Harness, wiring, main
*	316021105	Screw, hex head cup pt, 8-18 x 0.375, black
*	316021109	Screw, 8-18 x 0.5, chrome

TOP/DRAWER

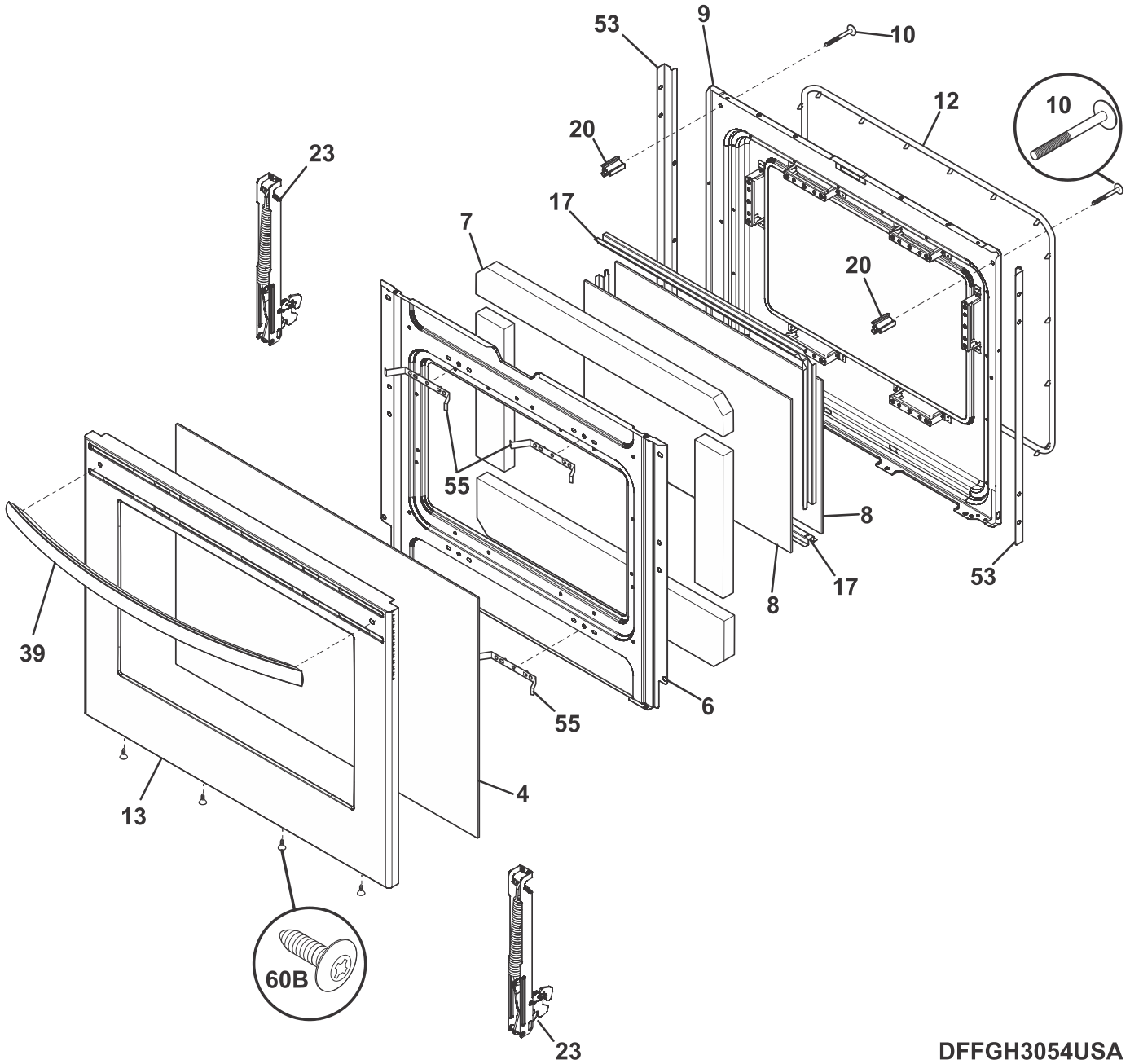


TFFGH3054USA

TOP/DRAWER

POS. NO	PART NO.	DESCRIPTION
1	316408706	Drawer, utility
*	316089500	Screw, 10-16 x .486
2	5304511880	Liner, drawer
3	5304514133	Shield, rear wall, upper
4	5304510527	Panel, drawer, stainless
13	5304517905	Glide, drawer, black, RH inner
13A	5304517903	Glide, drawer, black, LH inner
14	5304517904	Glide, drawer, black, RH outer
14A	5304517902	Glide, drawer, black, LH outer
16	5304520919	Maintop, assembly, black
20	5304518358	Grate, burner, black, side, (2)
20A	5304518359	Grate, burner, black, center
22	5304520370	Cap, burner, small, black
22A	5304520371	Cap, burner, medium, black
22B	5304520372	Cap, burner, large, black
26A	5304514126	Bracket, support, rear, chassis
27	5304514123	Bracket, mounting, RH, cooktop
27A	5304514124	Bracket, mounting, LH, cooktop
*	5303285179	Screw, wafer head, 8-32T x 0.500, black, 44*
39	5304507752	Handle, door, stainless
39	5304511879	Handle Insert, drawer
90	5304514122	Trim, vent, black, rear
91	5304514181	Deflector, moisture, (2)
92	5304520261	Rear Filler Kit, FCFS range, black
130	808931802	Seal, maintop, silicone, rear
*	316021105	Screw, hex head cup pt, 8-18 x 0.375, black
*	316021109	Screw, 8-18 x 0.5, chrome

DOOR



DFFGH3054USA

DOOR

POS. NO	PART NO.	DESCRIPTION
4	316452762	Glass, oven door, black, w/foil
6	316402315	Shield, wool
7	316403900	Insulation, oven door
8	316117506	Glass, oven door, inner
9	316423807	Liner-oven door
10	316439505	Screw, handle mtg., #10-24 x 2, (2)
12	5304498835	Seal, oven door
13	316604001	Panel, oven door, stainless
17	5304504811	Spacer, glass
20	316284102	Spacer, door handle, (2)
23	316575917	Hinge, oven door, red
23*	316418900	Screw, sims lp, #8-32 x 5/16", black
39	5304507752	Handle, door, stainless
53	316408101	Shield, filler, door, (2)
55	316408301	Bracket, glass support, (4)
60B	316021109	Screw, 8-18 x 0.5, chrome
*	316483102	Label, anti-tip
*	5303285179	Screw, wafer head, 8-32T x 0.500, black, 44*