



FRIGIDAIRE

Factory Parts Catalog

Product No.	GCRG3038ADA	GCRG3038AFA
Series	30" f/s gas	30" f/s gas
Color	black stainless	stainless
Market	North America	North America
Owner's Guide	808528114	808528114
Installation Instructions	316903004	316903004
Service Data Sheet	316905081	316905081

Frigidaire

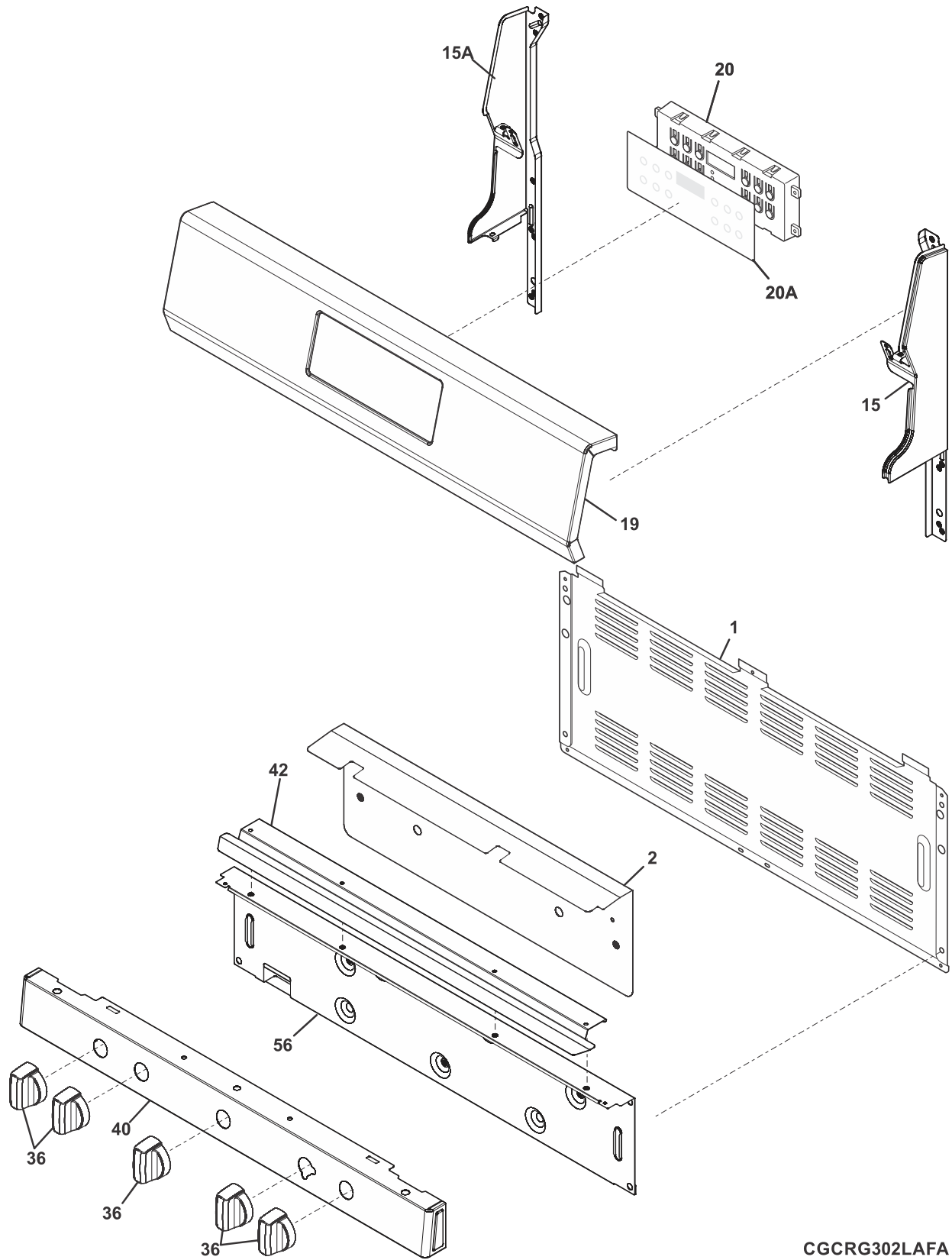
P.O. BOX 8020
CHARLOTTE, NC 28262

Publication No.
5995718474
19/10/24
(EN/SERVICE/)
369

30-INCH FREE- STANDING GAS RANGE

Model No.
GCRG3038A

BACKGUARD



CGCRG302LAFA

BACKGUARD

Model Index: **A** GCRG3038A (GCRG3038ADA)
 B GCRG3038A (GCRG3038AFA)

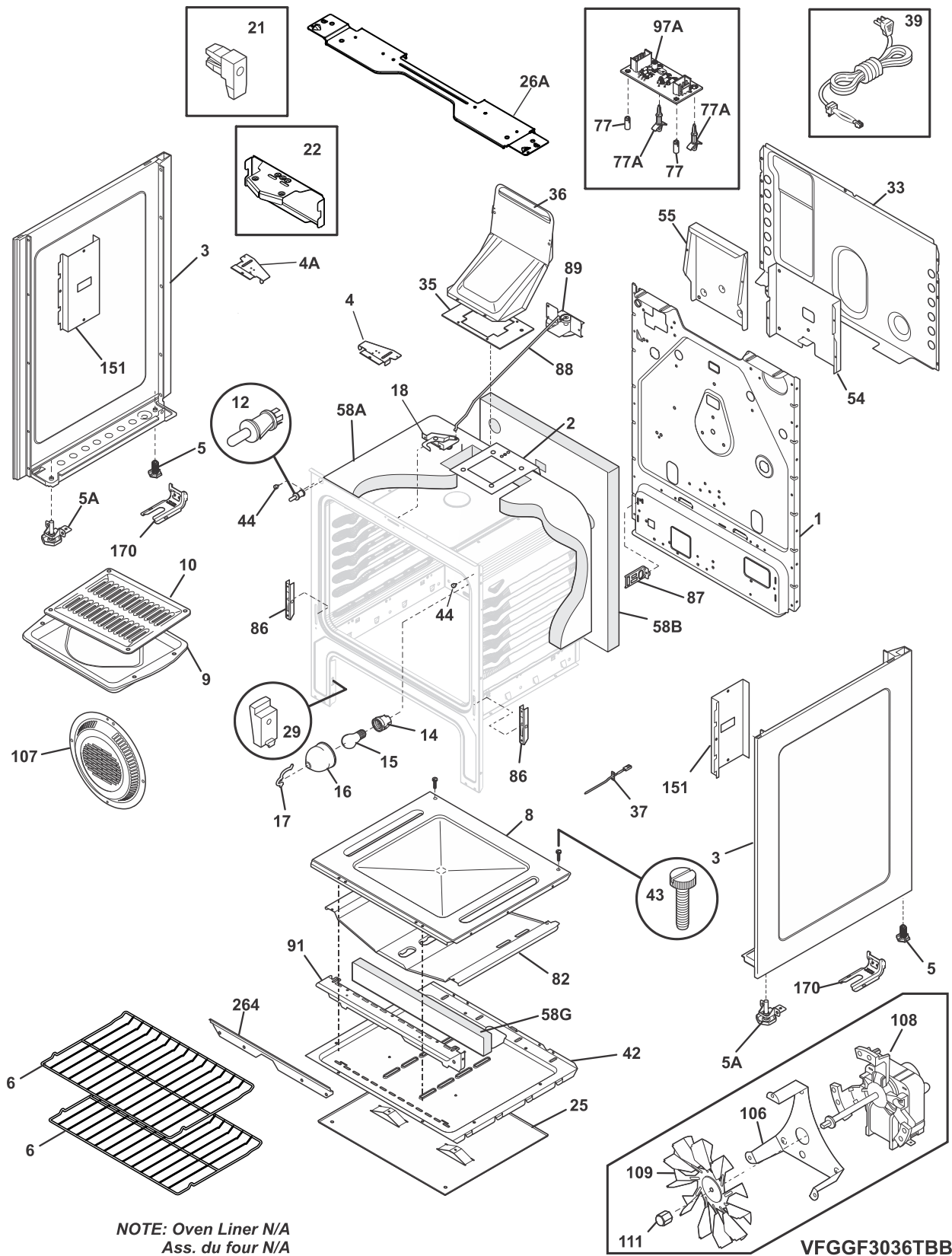
POS. NO	PART NO.		DESCRIPTION
1	316281802	A B	Shield, backguard, rear wall
2	5304508980	A B	Shield, backguard, inner
15	5304493644	A B	Cap, end, black, RH
15A	5304493646	A B	Cap, end, black, LH
19	5304509142	A -	Panel, backguard, black stainless
19	5304509890	- B	Panel, backguard, stainless
20 #	5304521189	A B	Controller, electronic, ES334ISB
20A	316419388	A B	Overlay, EOC, black, ES335
36	5304509118	A -	Knob, black stainless
36	5304509064	- B	Knob, stainless
40	316606127	A -	Panel-manifold, black stainless
40	316606126	- B	Panel-manifold, stainless
42	808754601	A B	Deflector, backguard
56	316230708	A B	Shield, backguard, inner
*	316021105	A B	Screw, hex head cup pt, 8-18 x 0.375, black
*	316021108	A B	Screw, cup pt, 8-18 x 0.375, chrome
*	316021109	A B	Screw, 8-18 x 0.5, chrome
*	316089500	A B	Screw, 10-16 x .486

BURNER

Model Index: **A** GCRG3038A (GCRG3038ADA)
B GCRG3038A (GCRG3038AFA)

POS. NO	PART NO.		DESCRIPTION
1 #	5304513540	A B	Manifold, pipe
2 #	5304506550	A B	Valve, top burner, white stem, 1500BTU
2A #	5304506547	A B	Valve, top burner, black stem, 500BTU
2B #	5304506549	A B	Valve, top burner, blue stem, 1125BTU
2C #	5304506548	A B	Valve, top burner, green stem, 850BTU
*	316215600	A B	Screw, valve mtg., 1/4 - 20
3 #	5304510486	A B	Harness, ignition
8 #	808608804	A B	Spark Module
8* #	5304505563	A B	Wire, ground, spark module, w/connector
*	316021109	A B	Screw, 8-18 x 0.5, chrome
10 #	316438401	A B	Burner, sealed, 17K
10A#	316438201	A B	Burner, sealed, 5K
10B#	316438601	A B	Burner, sealed, 14/12K
10C#	316558301	A B	Burner, sealed, 9.5K
11 #	316536622	A B	Ignitor/orifice assy., top burner, right front, 17K, w/tube & holder
11A#	316536610	A B	Ignitor/orifice assy., top burner, right rear, 5K, w/holder, tube
11B#	316536616	A B	Ignitor/orifice assy., top burner, left rear, 14K, w/holder, tube
11C#	316536602	A B	Ignitor/orifice assy., top burner, left front, 9.5K, w/holder, tube
11D#	316536623	A B	Ignitor/orifice assy., top burner, center, 9.5K, w/holder & tube
12	316540900	A B	Screw, burner, head mtg, (8)
13 #	316489101	A B	Tube-manifold supply
14 #	316091711	A B	Regulator, pressure
14*	316021104	A B	Screw, hex, 8-18 x 3/8, nick, (3), regulator brkt
15	316091600	A B	Bracket, regulator
16	5304507348	A B	Tube, valve-regulator, 3/8
17 #	316031501	A B	Valve, safety
*	316089500	A B	Screw, 10-16 x .486
17*	316498100	A B	Shield, wire, safety valve
18 #	316404400	A B	Burner, oven
19 #	5304508786	A B	Ignitor, bake
20	5304519024	A B	Baffle, oven burner
21	5303013272	A B	Nut, hex head sems
22	5304507768	A B	Tube, valve-mixer, 3/8
23 #	316404302	A B	Burner, broiler
24 #	5304516894	A B	Elbow, mixer
*	297174300	A B	Screw, self pierce, #8, 18x.63
25	5304497666	A B	Baffle, broiler
26 #	5304506545	A B	Ignitor, broiler
26*	316401500	A B	Cover, broil Ignitor
37	316240600	A B	Screw, assy mtg, (8), ignitor/orifice
44 #	316527509	A B	Orifice, burner, 17K
44A#	316527504	A B	Orifice, burner, 5K
44B#	316527511	A B	Orifice, burner, 14K
44C#	316527500	A B	Orifice, burner, 9.5K
47 #	GRLP4	- -	LP Conversion Kit, w/instructions, Optional, accessory
* #	5304494425	A B	Harness, ignitor module
*	316001003	A B	Screw, ground wire
*	316021132	A B	Screw, 8-18 X 11/16, black, (3)
*	316418901	A B	Screw, trilobe, 10-32 x 5/16", black

BODY



NOTE: Oven Liner N/A
Ass. du four N/A

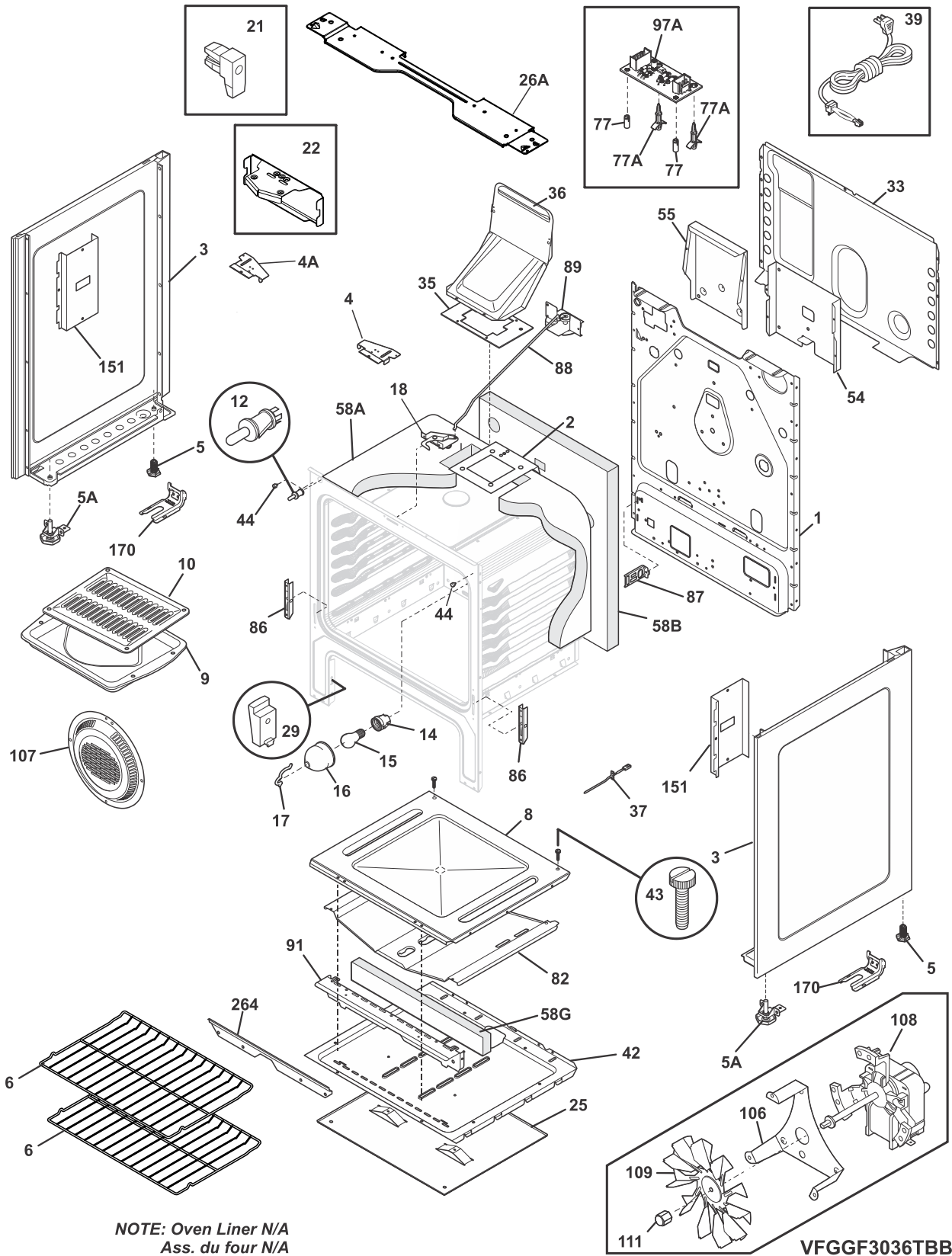
VFGGF3036TBB

BODY

Model Index: **A** GCRG3038A (GCRG3038ADA)
B GCRG3038A (GCRG3038AFA)

POS. NO	PART NO.		DESCRIPTION
1	316401608	A B	Back, main
*	316418901	A B	Screw, trilobe, 10-32 x 5/16", black
2	316437100	A B	Brace, oven top
3	316400136	A B	Panel, bodyside, black, RH
3	316400137	A B	Panel, bodyside, black, LH
4	316605400	A B	Bracket-maintop, RH
4A	316605401	A B	Bracket-maintop, LH
5	316272900	A B	Screw, leveling, plastic, rear, (2)
5A	5304509869	A B	Leveling Leg Assy, metal, front, (2), bracket & leg
6	316496201	A B	Rack, oven
8	316400603	A B	Panel, oven bottom
9	316081900	A B	Pan, broilerOPTIONAL ACCESSORY
10	316082000	A B	Insert, broiler panOPTIONAL ACCESSORY
12	316445500	A B	Switch, oven light, door frame
14	316116400	A B	Receptacle, oven light
15	316538901	A B	Lamp, oven light
16	318406100	A B	Lens, oven light, glass
17	316087500	A B	Retainer, lens
18 #	316405800	A B	Latch Assembly, oven door
21	316408000	A B	Clip, bodyside
22	316286300	A B	Bracket-bodyside, (2)
*	316279600	A B	Screw, bracket, stiffener, (4)
25	316406200	A B	Shield, heat, lower
26A	316498200	A B	Bracket-support, chassis, aluminum
33	316402500	A B	Shield, rear wall
35	316542102	A B	Gasket-flue
36	316208901	A B	Flue
37 #	316490000	A B	Probe, oven temp
39 #	5304515659	A B	Cord, electric power
*	316001003	A B	Screw, ground wire
42	316400700	A B	Shield, wool, lower
43	3131732	A B	Screw, 8-18 x 1.438, oven bottom
44	316517600	A B	Bumper, front, main
54	5304512756	A B	Shield, igniter heat
55	5304510473	A B	Shield, flue
58A	316403700	A B	Insulation, oven wrapper
58B	316403600	A B	Insulation, oven back
58G	08067973	A B	Insulation, main front
77	316247900	A B	Spacer, power board
77A	316114100	A B	Spacer
82	316400801	A B	Shield, bake burner
82*	316432800	A B	Clip, wire
86	316508600	A B	Receptacle, hinge, (2)
*	316418900	A B	Screw, sims lp, #8-32 x 5/16", black
87	316401202	A B	Bracket, harness
88	316232701	A B	Rod, auto latch
89 #	316464300	A B	Motor-latch
91	807219501	A B	Shield, burner, front
97A#	5304515148	A B	Board, AC detect

BODY

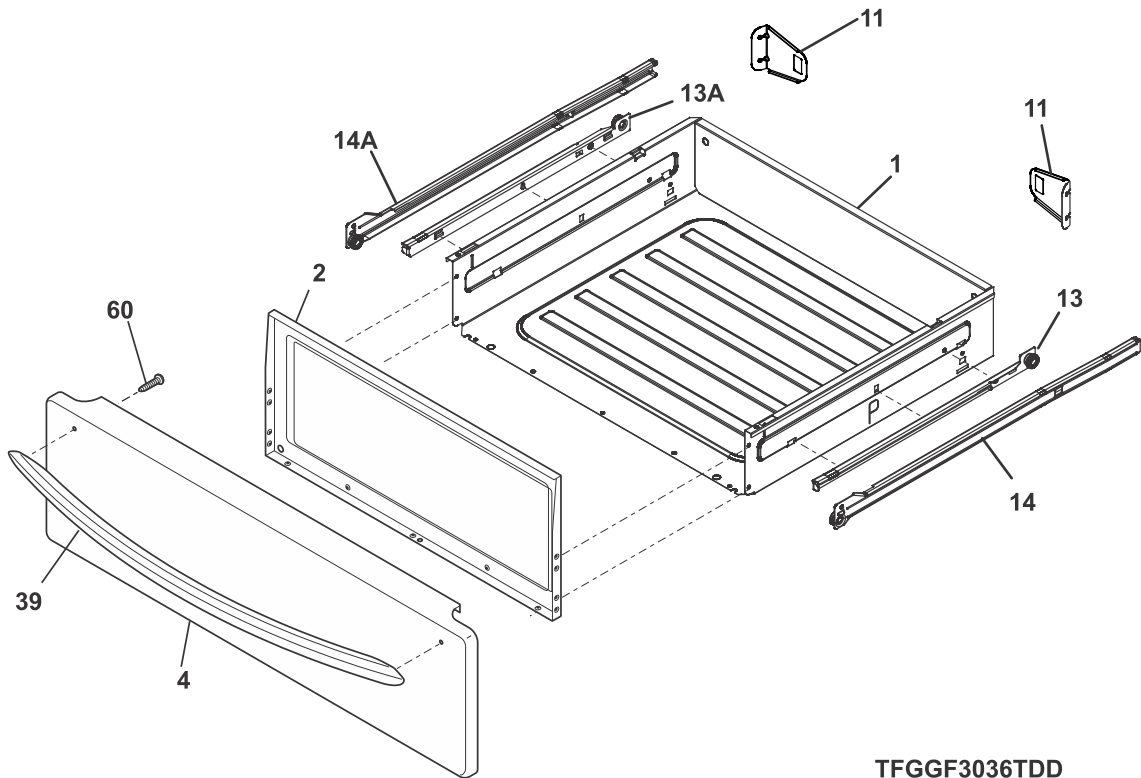
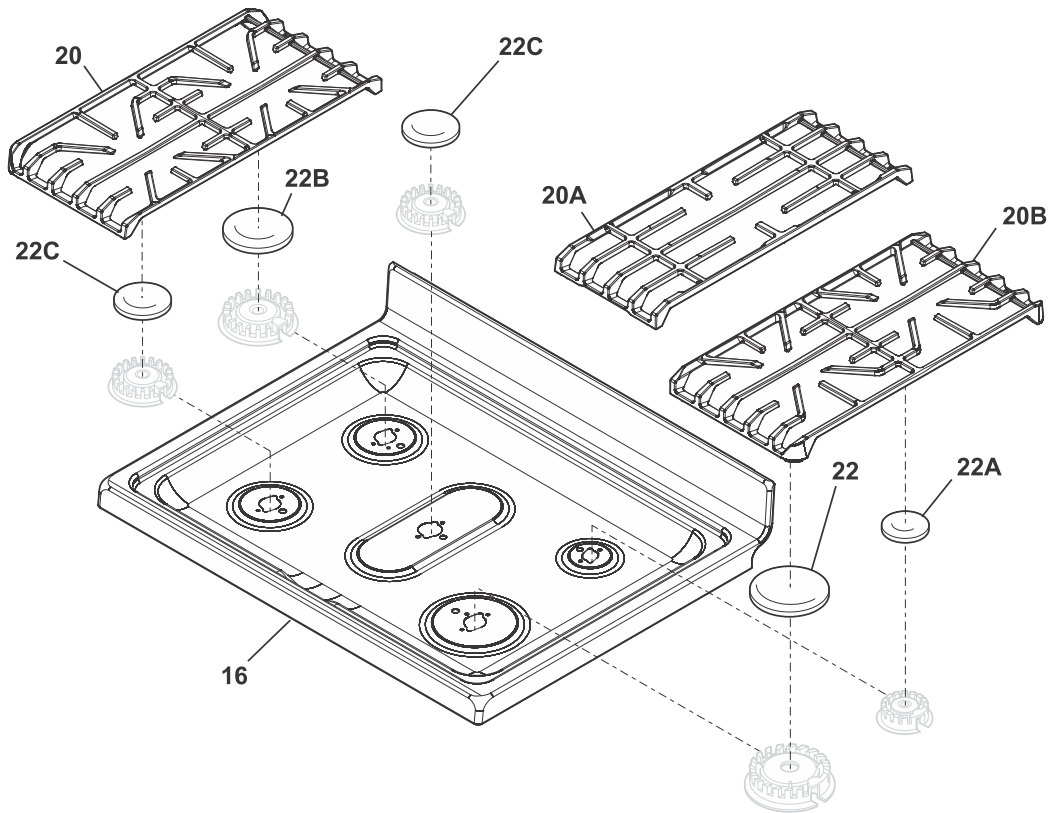


BODY

Model Index: **A** GCRG3038A (GCRG3038ADA)
B GCRG3038A (GCRG3038AFA)

POS. NO	PART NO.		DESCRIPTION
106	316404100	A B	Bracket, motor mtg.
107	316026701	A B	Cover, fan
108#	316256900	A B	Motor-fan
109	318398302	A B	Fan Blade
111	316136600	A B	Nut, fan retainer
151	5304518926	A B	Shield, heat, bodyside, (2)
170	316112005	A B	Anti Tip Kit, assy, w/template
170*	316107200	A B	Bracket, anti-tip
170*	316116000	A B	Screw, concrete, 1.75", anti-tip brkt
170*	316541700	A B	Template, anti-tip
264	316404700	A B	Bracket, air dam
* #	5304516049	A B	Harness, main
*	316231800	A B	Cover, hole, conv. element
*	297174300	A B	Screw, self pierce, #8, 18x.63
*	316021105	A B	Screw, hex head cup pt, 8-18 x 0.375, black
*	316021108	A B	Screw, cup pt, 8-18 x 0.375, chrome
*	5303285179	A B	Screw, wafer head, 8-32T x 0.500, black, 44*
*	316021109	A B	Screw, 8-18 x 0.5, chrome
*	316021132	A B	Screw, 8-18 X 11/16, black, (3)
*	5303289910	A B	Screw, truss sqdr, 8A x 1", 62*
*	316089500	A B	Screw, 10-16 x .486
*	316215600	A B	Screw, valve mtg., 1/4 - 20
*	316260800	A B	Screw-shoulder, w/shoulder, #8-18 x 1/2"

TOP/DRAWER



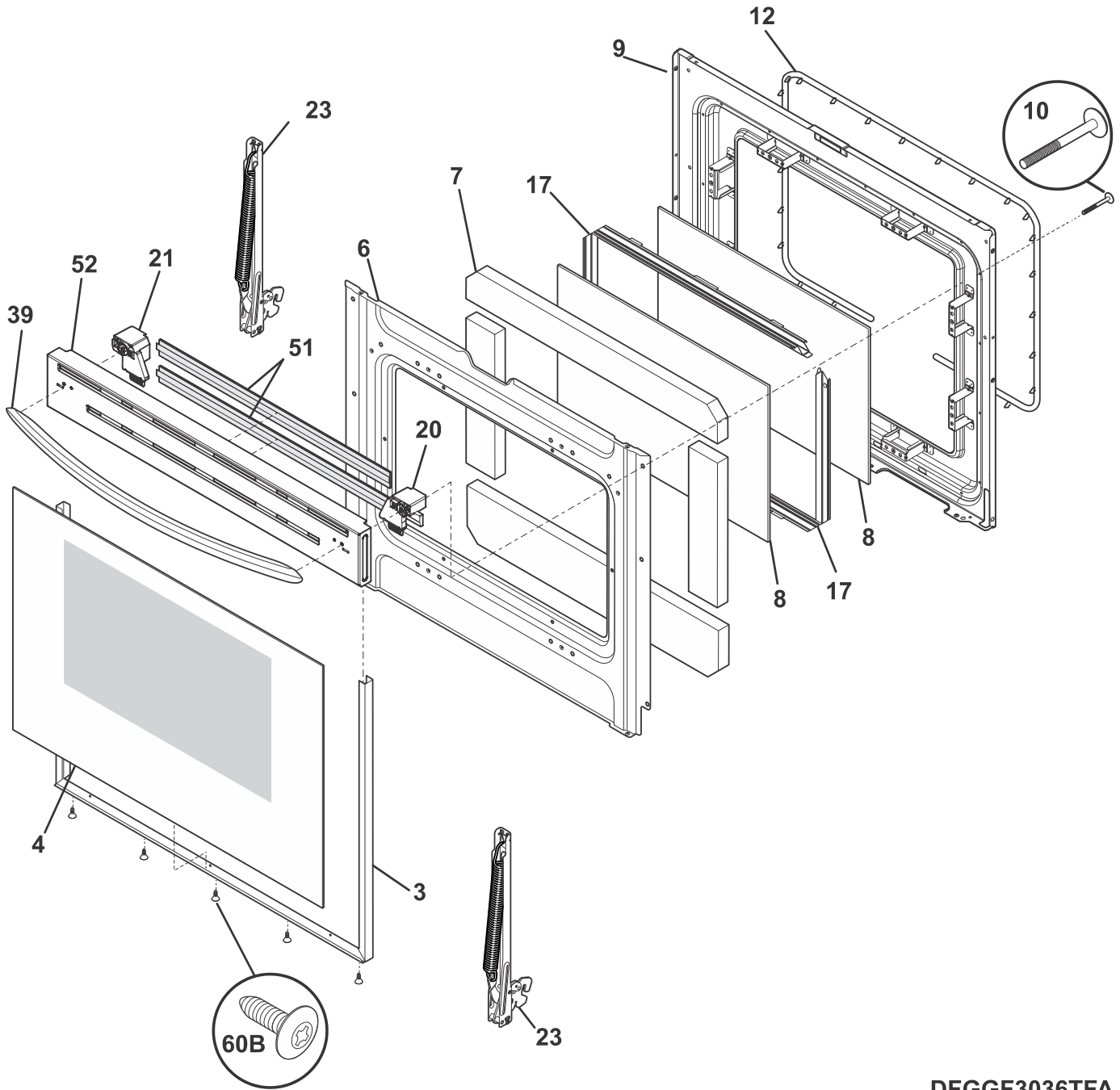
TFGGF3036TDD

TOP/DRAWER

Model Index: **A** GCRG3038A (GCRG3038ADA)
 B GCRG3038A (GCRG3038AFA)

POS. NO	PART NO.		DESCRIPTION
1	316408706	A B	Drawer, utility
2	5304511880	A B	Liner, drawer
4	5304517133	A -	Panel, drawer, black stainless
4	5304517477	- B	Panel, drawer, stainless
11	5304517906	A B	Bracket, rear support, (2)
13	5304517905	A B	Glide, drawer, black, RH inner
13A	5304517903	A B	Glide, drawer, black, LH inner
14	5304517904	A B	Glide, drawer, black, RH outer
14A	5304517902	A B	Glide, drawer, black, LH outer
16	316610014	A B	Main Top, black
20	808754701	A B	Grate, black, LH
20A	808754801	A B	Grate, black, center
20B	808754702	A B	Grate, black, RH
22	316262104	A B	Cap, 17K burner, black
22A	316261704	A B	Cap, 5K burner, matte, black
22B	316262004	A B	Cap, 14K burner, matte, black
22C	316261804	A B	Cap, 9.5K burner, matte, black
39	316554009	A -	Handle, door/drawer, black stainless, w/spacers
39	316554008	- B	Handle, door/drawer, stainless
60	5303288572	A B	Screw-handle mtg
*	316021105	A B	Screw, hex head cup pt, 8-18 x 0.375, black
*	316021108	A B	Screw, cup pt, 8-18 x 0.375, chrome
*	316021109	A B	Screw, 8-18 x 0.5, chrome
*	316089500	A B	Screw, 10-16 x .486

DOOR



DFGGF3036TFA

DOOR

Model Index: **A** GCRG3038A (GCRG3038ADA)
 B GCRG3038A (GCRG3038AFA)

POS. NO	PART NO.		DESCRIPTION
3	5303935378	A B	Trim kit-door, 3 sided, black, w/tape
4	316355501	A B	Glass Assembly, door, black, outer, w/foil
6	316402315	A B	Shield, wool
7	316403900	A B	Insulation, oven door
8	316117502	A B	Glass, oven door, heat barrier, inner, HRC2
9	316423814	A B	Liner, oven door
10	316513301	A -	Screw, handle mtg, 10-24 x 2.188, (2)
10	316439505	- B	Screw, handle mtg., #10-24 x 2, (2)
12	5304498835	A B	Seal, oven door
17	5304504811	A B	Spacer, glass
20	316353004	A B	Spacer, door, RH
20A	316353005	A B	Spacer, door, LH
23	5304521043	A B	Hinge, door, orange, dual spring
23*	316418900	A B	Screw, sims lp, #8-32 x 5/16", black
39	316554009	A -	Handle, door/drawer, black stainless, w/spacers
39	316554008	- B	Handle, door/drawer, stainless
39*	5303288572	A B	Screw-handle mtg
51	316355300	A B	Insulation, door, top cap
52	5304516889	A -	Trim, door cap, black stainless, upper
52	5304518010	- B	Cap, door trim, stainless
60B	316021109	A B	Screw, 8-18 x 0.5, chrome
*	316483102	A B	Label, anti-tip
*	316021105	A B	Screw, hex head cup pt, 8-18 x 0.375, black
*	316021108	A B	Screw, cup pt, 8-18 x 0.375, chrome