



# FRIGIDAIRE

## Factory Parts Catalog

Product No.	GCRE3038ADA	GCRE3038AFA
Series	30" f/s elec	30" f/s elec
Color	black stainless	stainless
Market	North America	North America
Owner's Guide	808527621	808527621
Installation Instructions	316454912	316454912
Service Data Sheet	808532531	808532531

### Frigidaire

P.O. BOX 8020  
CHARLOTTE, NC 28262

Publication No.  
**5995718466**  
19/10/24  
(EN/SERVICE/)  
369

### 30-INCH FREE- STANDING ELECTRIC RANGE

Model No.  
GCRE3038A



**BACKGUARD**

*Model Index:*   **A** GCRE3038A (GCRE3038ADA)  
                           **B** GCRE3038A (GCRE3038AFA)

<b>POS. NO</b>	<b>PART NO.</b>		<b>DESCRIPTION</b>
1	316281802	A B	Shield, backguard, rear wall
13A#	5304508926	A B	Switch, infinite, warmer
14	316022500	A B	Light/Lamp, indicator, black, 125 V
15	5304493644	A B	Cap, end, black, RH
15A	5304493646	A B	Cap, end, black, LH
19	5304509317	A -	Panel, backguard, black stainless
19	5304510018	- B	Panel backguard, stainless
20 #	5304521190	A B	Controller, electronic, ES334ISB
20A	316419388	A B	Overlay, EOC, black, ES335
28	316528700	A B	Insulation, manifold panel
30	316577600	A B	Plug, button, oval, harness
31	5304509211	A -	Knob, infinite switch, black stainless
31	5304509063	- B	Knob, stainless
46	316557300	A B	Lens-light/lamp, indicator, clear
54 #	316436000	A B	Switch, infinite, small element
54A#	5304516192	A B	Switch, hyper element, turbo boil
54B#	316238202	A B	Switch, infinite radian, dual
56	316234045	A B	Shield, backguard, black, inner
57	808950202	A B	Shield, steam
69	5303288565	A B	Screw, truss sqdr, 8-32 x 3/16, switch mtg
*	316021105	A B	Screw, hex head cup pt, 8-18 x 0.375, black
*	316021109	A B	Screw, 8-18 x 0.5, chrome
*	316089500	A B	Screw, 10-16 x .486



**BODY**

Model Index: **A** GCRE3038A (GCRE3038ADA)  
**B** GCRE3038A (GCRE3038AFA)

POS. NO	PART NO.		DESCRIPTION
1	316401805	A B	Panel, main back
3	316400136	A B	Panel, bodyside, black, RH
3	316400137	A B	Panel, bodyside, black, LH
5	316272900	A B	Screw, leveling, plastic, rear, (2)
5A	5304509869	A B	Leveling Leg Assy, metal, front, (2), bracket & leg
*	316021132	A B	Screw, 8-18 X 11/16, black, (3)
6	316496201	A B	Rack, oven
8	316400601	A B	Panel, oven bottom
8*	316064600	A B	Support, oven bottom
8A	316411106	A B	Base, bake element
9	316081900	- -	Pan, broilerOPTIONAL ACCESSORY
10	316082000	- -	Insert, broiler panOPTIONAL ACCESSORY
12	316445500	A B	Switch, oven light, door frame
14 #	316116400	A B	Receptacle, oven light
15 #	316538901	A B	Lamp, oven light
16	318406100	A B	Lens, oven light, glass
17	316087500	A B	Retainer, lens
18 #	316405800	A B	Latch Assembly, oven door
21	316408000	A B	Clip, bodyside
22	316286300	A B	Bracket-bodyside, (2)
*	316279600	A B	Screw, bracket, stiffener, (4)
25	316406200	A B	Shield, heat, lower
30	5304511083	A B	Counterweight, concrete block
31	5304511084	A B	Bracket, concrete block
37 #	316490000	A B	Probe, oven temp
42	316407700	A B	Shield, wool, lower
43	3131732	A B	Screw, 8-18 x 1.438, oven bottom
44	316517600	A B	Bumper, front, main
*	5303285179	A B	Screw, wafer head, 8-32T x 0.500, black, 44*
45	316234100	A B	Shield, wire, vent tube
57	316283600	A B	Cover, access
58	316403802	A B	Insulation, oven sump
58A	316406601	A B	Insulation, oven wrapper
58B	316406500	A B	Insulation, oven back
59	316208401	A B	Vent Tube, assembly, w/catalyst
59*	316247300	A B	Catalyst, oven vent, ceramic
59A	316208304	A B	Tube, oven vent, upper
62 #	5303935271	A B	Terminal Block Kit
62*	316001003	A B	Screw, ground wire
62*	316205500	A B	Nut, hex flange, 3/8 10-32
62*	316542203	A B	Insulator
63	316542600	A B	Plate, grounding strap
66 #	316203301	A B	Element, broil
67 #	316413800	A B	Element, bake, hidden
68	316404002	A B	Support, element, broil
71	316283204	A B	Shield, rear wall
86	316508600	A B	Receptacle, hinge, (2)
*	316418901	A B	Screw, trilobe, 10-32 x 5/16", black
87	316081200	A B	Bracket, cable mtg

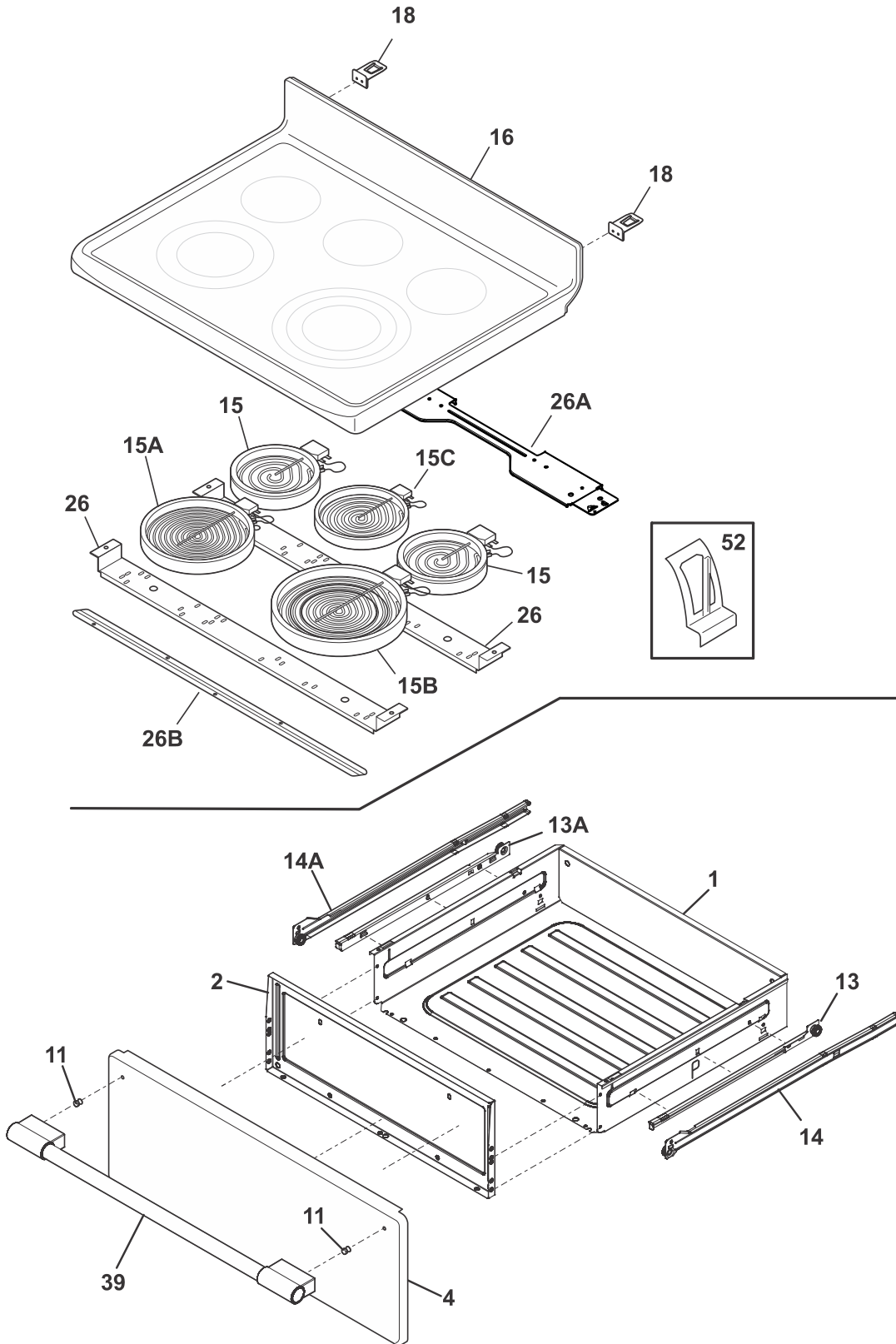


**BODY**

*Model Index:*   **A** GCRE3038A (GCRE3038ADA)  
                           **B** GCRE3038A (GCRE3038AFA)

<b>POS. NO</b>	<b>PART NO.</b>		<b>DESCRIPTION</b>
88	316203500	A B	Rod, auto latch
89 #	316464300	A B	Motor-latch
106	316404100	A B	Bracket, motor mtg.
107	316026701	A B	Cover, fan
108#	316256100	A B	Motor-fan
*	5303289910	A B	Screw, truss sqdr, 8A x 1", 62*
109	318398302	A B	Fan Blade
111	316136600	A B	Nut, fan retainer
151	316404601	A B	Shield, bodyside
170	316112005	A B	Anti Tip Kit, assy, w/template
170*	316107200	A B	Bracket, anti-tip
170*	316116000	A B	Screw, concrete, 1.75", anti-tip brkt
170*	316541700	A B	Template, anti-tip
* #	5304516201	A B	Wiring Harness, main
*	316231800	A B	Cover, hole, conv. element
*	316021105	A B	Screw, hex head cup pt, 8-18 x 0.375, black
*	316021109	A B	Screw, 8-18 x 0.5, chrome
*	316089500	A B	Screw, 10-16 x .486

TOP/DRAWER



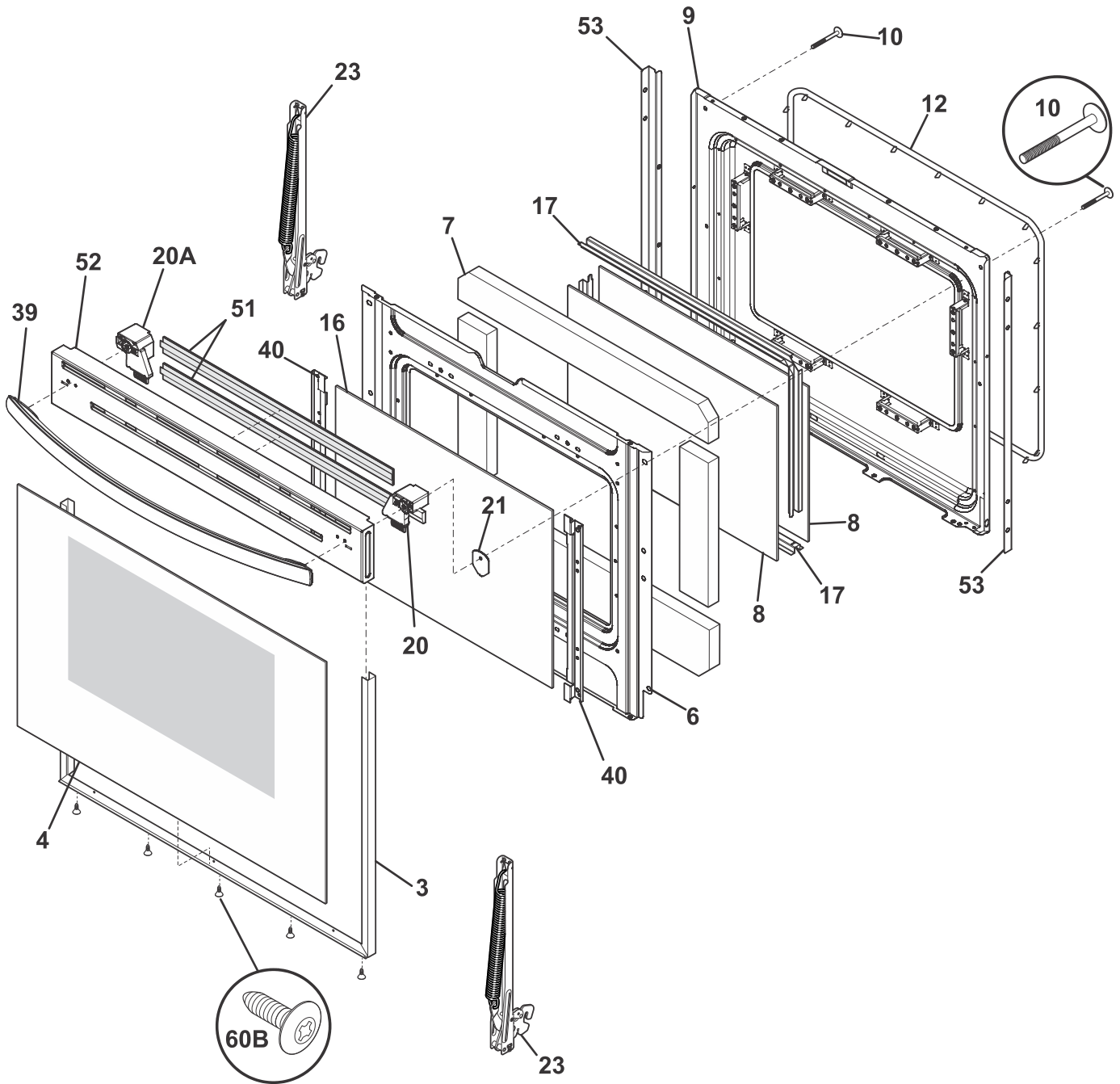
TFGEF3032RFF

**TOP/DRAWER**

*Model Index:*    **A** GCRE3038A (GCRE3038ADA)  
                           **B** GCRE3038A (GCRE3038AFA)

<b>POS. NO</b>	<b>PART NO.</b>		<b>DESCRIPTION</b>
1	316408706	A B	Drawer, utility
2	5304511827	A B	Liner, drawer
4	5304516891	A -	Panel, drawer, dark stainless
4	5304518011	- B	Panel, drawer, stainless
10	316513301	A -	Screw, handle mtg, 10-24 x 2.188, (2)
10	316439505	- B	Screw, handle mtg., #10-24 x 2, (2)
11	5304517906	A B	Bracket, rear support, (2)
13	5304517905	A B	Glide, drawer, black, RH inner
13A	5304517903	A B	Glide, drawer, black, LH inner
14	5304517904	A B	Glide, drawer, black, RH outer
14A	5304517902	A B	Glide, drawer, black, LH outer
15 #	318178110	A B	Element, surface, 6", 1200, (2), radiant
15A#	316530001	A B	Element, surface, 9", 3200W, turbo boil
15B#	316282103	A B	Element, 6/12", surface, 3000W, radiant
15C#	316289800	A B	Element, surface, warmer, 100 W
16	5304513242	A B	Smoothtop, assembly, glass/steel, black
18	316580800	A B	Bracket-hinge, main top
23*	316418900	A B	Screw, sims lp, #8-32 x 5/16", black
26	5304512926	A B	Channel, element support
26A	316498200	A B	Bracket-support, chassis, aluminum
26B	316607600	A B	Bracket, chassis support, front
39	316554009	A -	Handle, door/drawer, black stainless, w/spacers
39	316554008	- B	Handle, door/drawer, stainless
*	5303288572	A B	Screw-handle mtg
43	5303285179	A B	Screw, wafer head, 8-32T x 0.500, black, 44*
52	316461700	A B	Clip, element mtg
52*	5308014215	A B	Screw, 6-20 x 0.312
60	316439500	A B	Screw, handle mtg., 10-24 x 1.75", (2)
62*	316001003	A B	Screw, ground wire
* #	5304516957	A B	Harness, wiring, surface
*	316021105	A B	Screw, hex head cup pt, 8-18 x 0.375, black
*	316021109	A B	Screw, 8-18 x 0.5, chrome
*	316089500	A B	Screw, 10-16 x .486
*	316418901	A B	Screw, trilobe, 10-32 x 5/16", black

**DOOR**



**DLGEF3046TDA**

---

**DOOR**


---

*Model Index:*   **A** GCRE3038A (GCRE3038ADA)  
                           **B** GCRE3038A (GCRE3038AFA)

<b>POS. NO</b>	<b>PART NO.</b>		<b>DESCRIPTION</b>
3	5303935377	A B	Trim kit-door, 3 sided, black, w/tape
4	316355601	A B	Glass, door, black, w/foil
6	316406312	A B	Shield-wool
7	316405600	A B	Insulation, oven door
8	316117502	A B	Glass, oven door, heat barrier, inner, HRC2
9	316423715	A B	Liner, oven door
10	316513301	A -	Screw, handle mtg, 10-24 x 2.188, (2)
10	316439505	- B	Screw, handle mtg., #10-24 x 2, (2)
12	316405000	A B	Seal, oven door
16	316552801	A B	Glass, door, airwash
17	5304504811	A B	Spacer, glass
20	316353004	A B	Spacer, door, RH
20A	316353005	A B	Spacer, door, LH
21	316533801	A B	Plate, distribution, load
23	5304522696	A B	Hinge, door, dual spring
23*	316418900	A B	Screw, sims lp, #8-32 x 5/16", black
39	316554009	A -	Handle, door/drawer, black stainless, w/spacers
39	316554008	- B	Handle, door/drawer, stainless
39*	5303288572	A B	Screw-handle mtg
40	316552401	A B	Bracket, airwash glass, (2)
51	316355300	A B	Insulation, door, top cap
52	5304516889	A -	Trim, door cap, black stainless, upper
52	5304518010	- B	Cap, door trim, stainless
60B	316021109	A B	Screw, 8-18 x 0.5, chrome
*	316483102	A B	Label, anti-tip
*	316021105	A B	Screw, hex head cup pt, 8-18 x 0.375, black
*	5303285179	A B	Screw, wafer head, 8-32T x 0.500, black, 44*