



FRIGIDAIRE

Factory Parts Catalog

Product No.	FCRG3052ASA
Series	30" f/s gas
Color	stainless
Market	North America
Owner's Guide	808528014
Installation Instructions	316903004
Service Data Sheet	808533005

Frigidaire

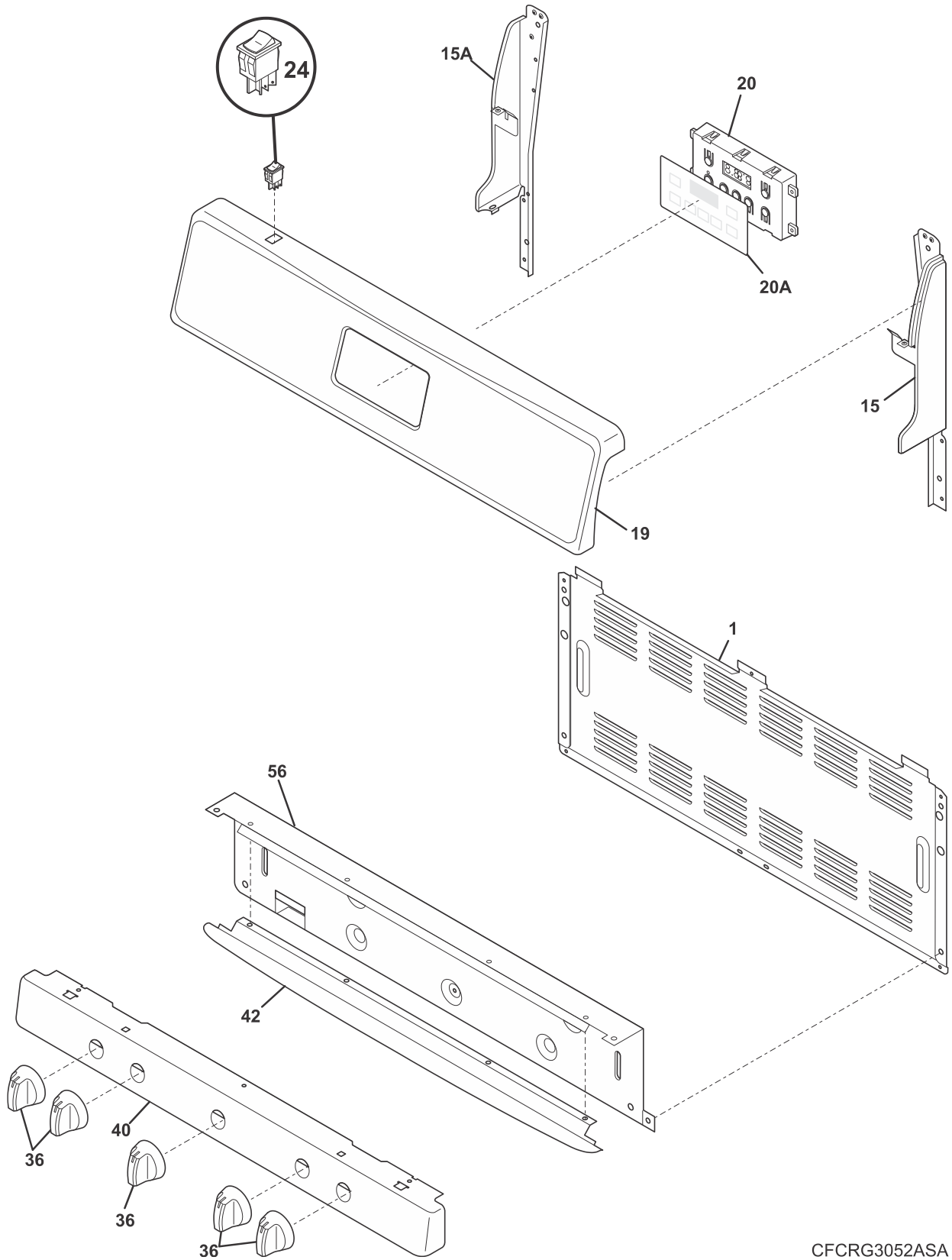
P.O. BOX 8020
CHARLOTTE, NC 28262

Publication No.
5995716296
19/07/25
(EN/SERVICE/)
369

30-INCH FREE- STANDING GAS RANGE

Model No.
FCRG3052A

BACKGUARD



FCFRG3052ASA

BACKGUARD

POS. NO	PART NO.	DESCRIPTION
1	316281802	Shield, backguard, rear wall
15	5304493644	Cap, end, black, RH
15A	5304493646	Cap, end, black, LH
19	5304509065	Panel, backguard, stainless
20 #	5304521341	Control, electronic, ES100
20A	316220729	Overlay, clock, black
24 #	5304515139	Switch, rocker, black, oven light
36	5304507386	Knob, top valve, black
39*	316001003	Screw, ground wire
40	316605358	Panel, manifold, black
42	808754601	Deflector, backguard
56	316230708	Shield, backguard, inner
*	316021105	Screw, hex head cup pt, 8-18 x 0.375, black
*	316021108	Screw, cup pt, 8-18 x 0.375, chrome
*	316021109	Screw, 8-18 x 0.5, chrome
*	316089500	Screw, 10-16 x .486

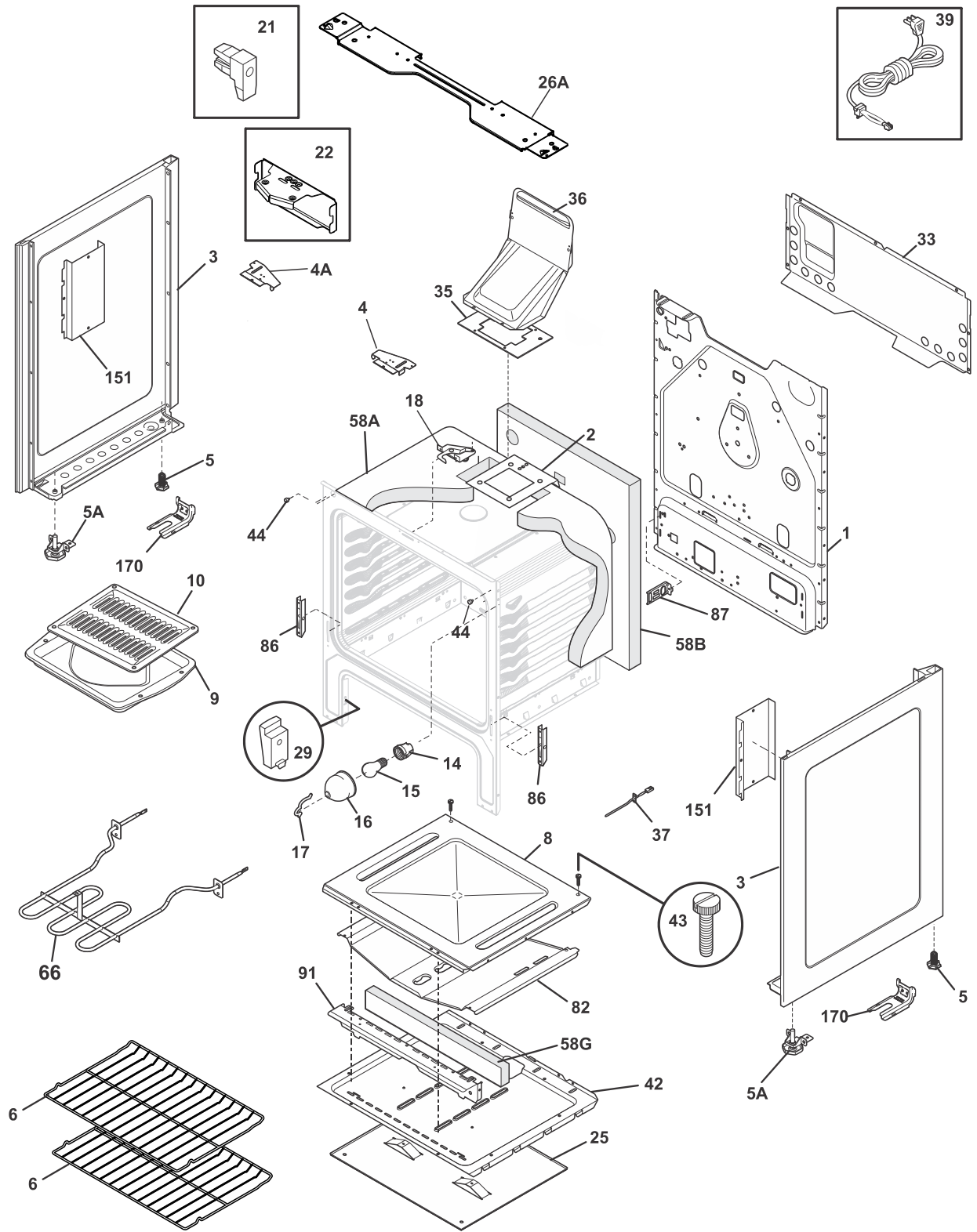
BURNER

POS. NO	PART NO.	DESCRIPTION
1 #	5304513540	Manifold, pipe
2 #	5304506549	Valve, top burner, blue stem, 1125BTU
2A #	5304506547	Valve, top burner, black stem, 500BTU
2B #	5304506550	Valve, top burner, white stem, 1500BTU
2C #	5304506548	Valve, top burner, green stem, 850BTU
2D #	5304506551	Valve, top burner, pink stem, 2500BTU
*	316215600	Screw, valve mtg., 1/4 - 20
3 #	5304520720	Harness, ignition
8 #	808608804	Spark Module
8*	316021109	Screw, 8-18 x 0.5, chrome
8*	5304505563	Wire, ground, spark module, w/connector
10 #	316438400	Burner, sealed, 17K
10A#	316438200	Burner, sealed, 5K
10B#	316438000	Burner, sealed, 12K
10C#	316558300	Burner, sealed, 9.5K
10D#	316559300	Burner, sealed, 9.5K, oval
11 #	316536621	Ignitor/orifice assy ., top burner, right front, 16K, w/tube & holder
11A#	316536610	Ignitor/orifice assy., top burner, right rear, 5K, w/holder, tube
11B#	316536612	Ignitor/orifice assy., top burner, left rear, 12K, w/holder, tube
11C#	316536602	Ignitor/orifice assy., top burner, left front, 9.5K, w/holder, tube
11D#	316536623	Ignitor/orifice assy., top burner, center, 9.5K, w/holder & tube
12	316540900	Screw, burner, head mtg, (8)
13	316489101	Tube-manifold supply
14 #	5304498819	Regulator, pressure
14*	316021104	Screw, hex, 8-18 x 3/8, nick, (3), regulator brkt
15	316091600	Bracket, regulator
*	316089500	Screw, 10-16 x .486
17 #	316572800	Valve, safety
17*	316498100	Shield, wire, safety valve
18 #	316404400	Burner, oven
19 #	5304508786	Ignitor, bake
20	5304519024	Baffle, oven burner
22	5304520704	Tube, valve, 3/8
37	316240600	Screw, assy mtg, (8), ignitor/orifice
44 #	316527502	Orifice, burner, 12K
44A#	316527504	Orifice, burner, 5K
44B#	316527508	Orifice, top burner, 16K
44C#	316527500	Orifice, burner, 9.5K
47 #	316542416	LP Conversion Kit
* #	5304494425	Harness, ignitor module
*	316021105	Screw, hex head cup pt, 8-18 x 0.375, black
*	316260800	Screw-shoulder, w/shoulder, #8-18 x 1/2"

BODY

POS. NO	PART NO.	DESCRIPTION
1	316401607	Back, main
*	316418901	Screw, trilobe, 10-32 x 5/16", black
2	316437100	Brace, oven top
3	316400136	Panel, bodyside, black, RH
3	316400137	Panel, bodyside, black, LH
4	316605400	Bracket-maintop, RH
4A	316605401	Bracket-maintop, LH
5	316272900	Screw, leveling, plastic, rear, (2)
5A	5304509869	Leveling Leg Assy, metal, front, (2), bracket & leg
6	316496201	Rack, oven
8	316400603	Panel, oven bottom
9	316081900	Pan, broilerOPTIONAL ACCESSORY
10	316082000	Insert, broiler panOPTIONAL ACCESSORY
14	316116400	Receptacle, oven light
15	316538901	Lamp, oven light
16	318406100	Lens, oven light, glass
17	316087500	Retainer, lens
18 #	316405802	Bracket, hole opening, no latch
21	316408000	Clip, bodyside
22	316286300	Bracket-bodyside, (2)
*	316279600	Screw, bracket, stiffener, (4)
25	316406200	Shield, heat, lower
26A	316498200	Bracket-support, chassis, aluminum
33	316405900	Shield, rear wall
35	316542102	Gasket-flue
36	316208903	Flue
37 #	316490000	Probe, oven temp
39 #	5304509199	Cord, electric power, black
*	316001003	Screw, ground wire
42	316400700	Shield, wool, lower
43	3131732	Screw, 8-18 x 1.438, oven bottom
44	316517600	Bumper, front, main
58A	316403701	Insulation, oven wrapper
58B	316403603	Insulation, oven back
58G	08067973	Insulation, main front
66 #	5304521340	Element, broil
82	316400801	Shield, bake burner
82*	316432800	Clip, wire
86	316441300	Receptacle, hinge
*	316418900	Screw, sims lp, #8-32 x 5/16", black
87	316401202	Bracket, harness
91	807219501	Shield, burner, front
151	5304518926	Shield, heat, bodyside, (2)
170	316112005	Anti Tip Kit, assy, w/template
170*	316107200	Bracket, anti-tip
170*	316116000	Screw, concrete, 1.75", anti-tip brkt
170*	316541700	Template, anti-tip
* #	5304520710	Harness, wiring, main
*	316210800	Plug, hole, light switch
*	297174300	Screw, self pierce, #8, 18x.63

BODY



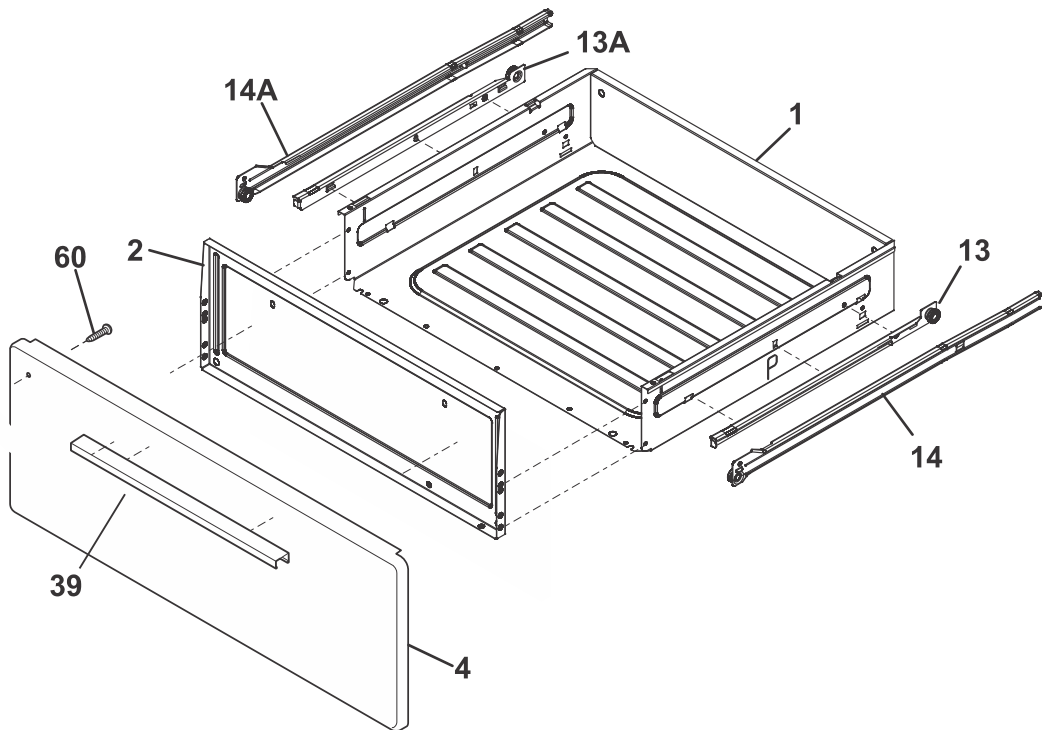
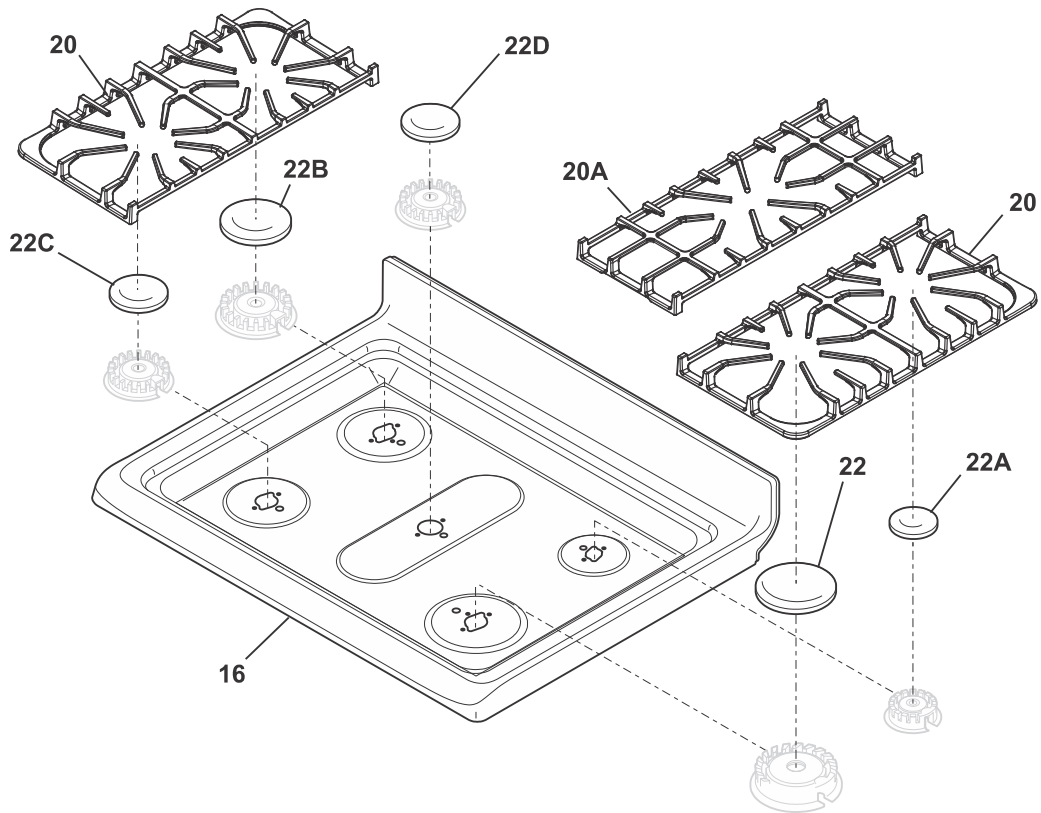
NOTE: Oven Liner N/A
Ass. du four N/A

VFCRG3052ASA

BODY

POS. NO	PART NO.	DESCRIPTION
*	316021105	Screw, hex head cup pt, 8-18 x 0.375, black
*	316021108	Screw, cup pt, 8-18 x 0.375, chrome
*	5303285179	Screw, wafer head, 8-32T x 0.500, black, 44*
*	316021109	Screw, 8-18 x 0.5, chrome
*	5303288566	Screw, TR HD SQD AB, 8-18 x 0.25, (8)
*	316021132	Screw, 8-18 X 11/16, black, (3)
*	316089500	Screw, 10-16 x .486
*	316215600	Screw, valve mtg., 1/4 - 20
*	316260800	Screw-shoulder, w/shoulder, #8-18 x 1/2"

TOP/DRAWER

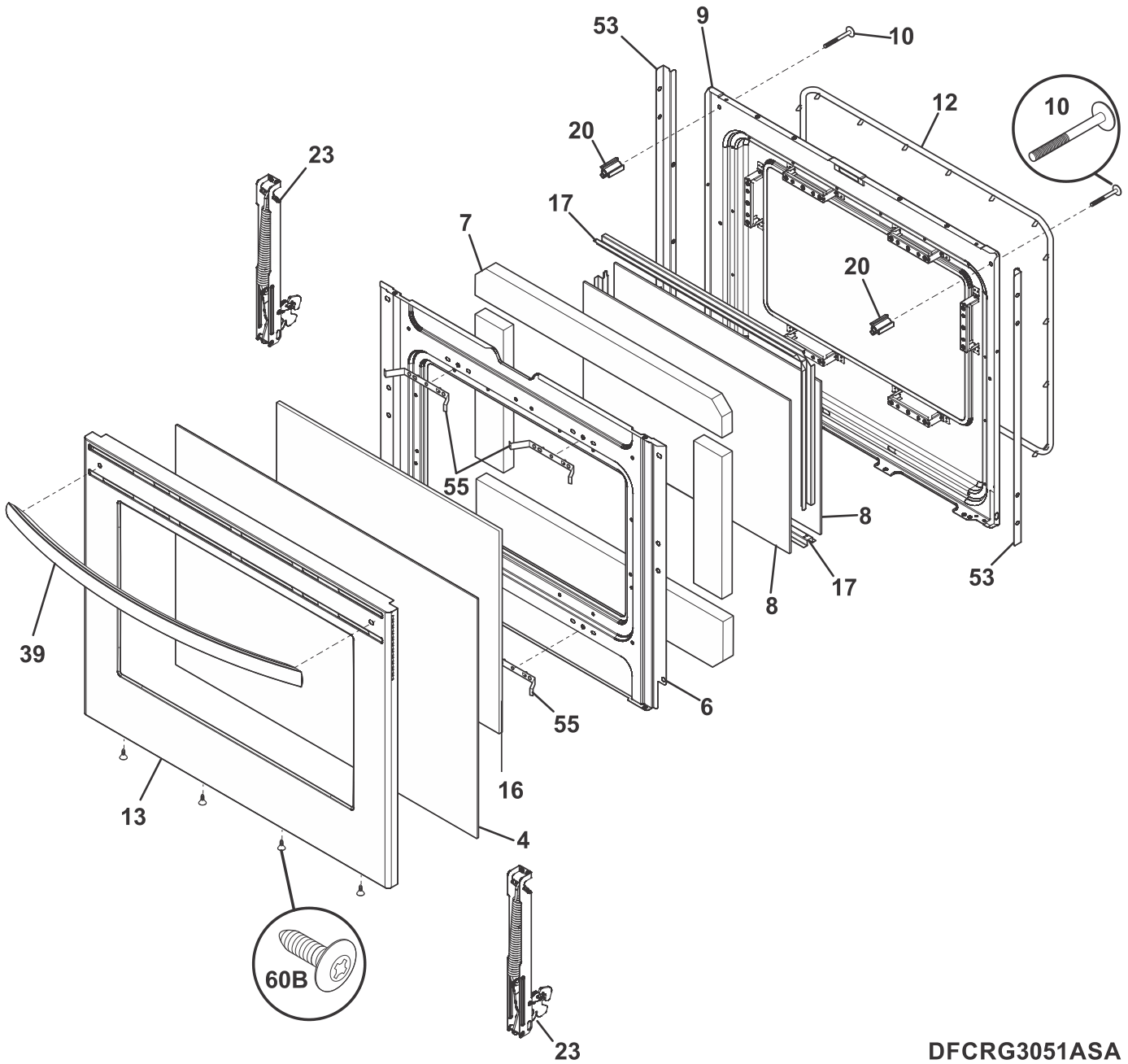


TFCRG3052ASA

TOP/DRAWER

POS. NO	PART NO.	DESCRIPTION
1	316408706	Drawer, utility
2	5304511880	Liner, drawer
4	5304510527	Panel, drawer, stainless
10	316439505	Screw, handle mtg., #10-24 x 2, (2)
13	5304517905	Glide, drawer, black, RH inner
13A	5304517903	Glide, drawer, black, LH inner
14	5304517904	Glide, drawer, black, RH outer
14A	5304517902	Glide, drawer, black, LH outer
16	316610006	Main Top, black
20	807327101	Grate, burner, black, side, (2)
20A	807412601	Grate, burner, black, center
22	316262104	Cap, 17K burner, black
22A	316261704	Cap, 5K burner, matte, black
22B	316261904	Cap, 12K burner, black
22C	316261804	Cap, 9.5K burner, matte, black
22D	316559604	Cap, 9.5K burner, black, oval
39	5304511879	Handle Insert, drawer
*	316021105	Screw, hex head cup pt, 8-18 x 0.375, black
*	316021108	Screw, cup pt, 8-18 x 0.375, chrome
*	316021109	Screw, 8-18 x 0.5, chrome
*	316089500	Screw, 10-16 x .486
*	316418901	Screw, trilobe, 10-32 x 5/16", black

DOOR



DFCRG3051ASA

DOOR

POS. NO	PART NO.	DESCRIPTION
4	316452754	Glass, oven door, black, w/foil
6	316402315	Shield, wool
7	316403900	Insulation, oven door
8	5304503232	Glass, oven door, inner
9	316423807	Liner-oven door
10	316439505	Screw, handle mtg., #10-24 x 2, (2)
12	316403101	Seal, oven door
13	316604001	Panel, oven door, stainless
16	316117503	Glass, oven door, inner, HRC1
17	5304504811	Spacer, glass
20	316284102	Spacer, door handle, (2)
23	316575906	Hinge, oven door
23*	316418900	Screw, sims lp, #8-32 x 5/16", black
39	5304507752	Handle, door, stainless
53	316408101	Shield, filler, door, (2)
55	316408301	Bracket, glass support, (4)
60B	316021109	Screw, 8-18 x 0.5, chrome
*	316483102	Label, anti-tip
*	316021105	Screw, hex head cup pt, 8-18 x 0.375, black
*	5303285179	Screw, wafer head, 8-32T x 0.500, black, 44*