



# FRIGIDAIRE

## Factory Parts Catalog

Product No.	FCRG3015ABA	FCRG3015AWA
Series	30" f/s gas	30" f/s gas
Color	black	white
Market	North America	North America
Owner's Guide	808528014	808528014
Installation Instructions	316903004	316903004
Service Data Sheet	808533005	808533005

### Frigidaire

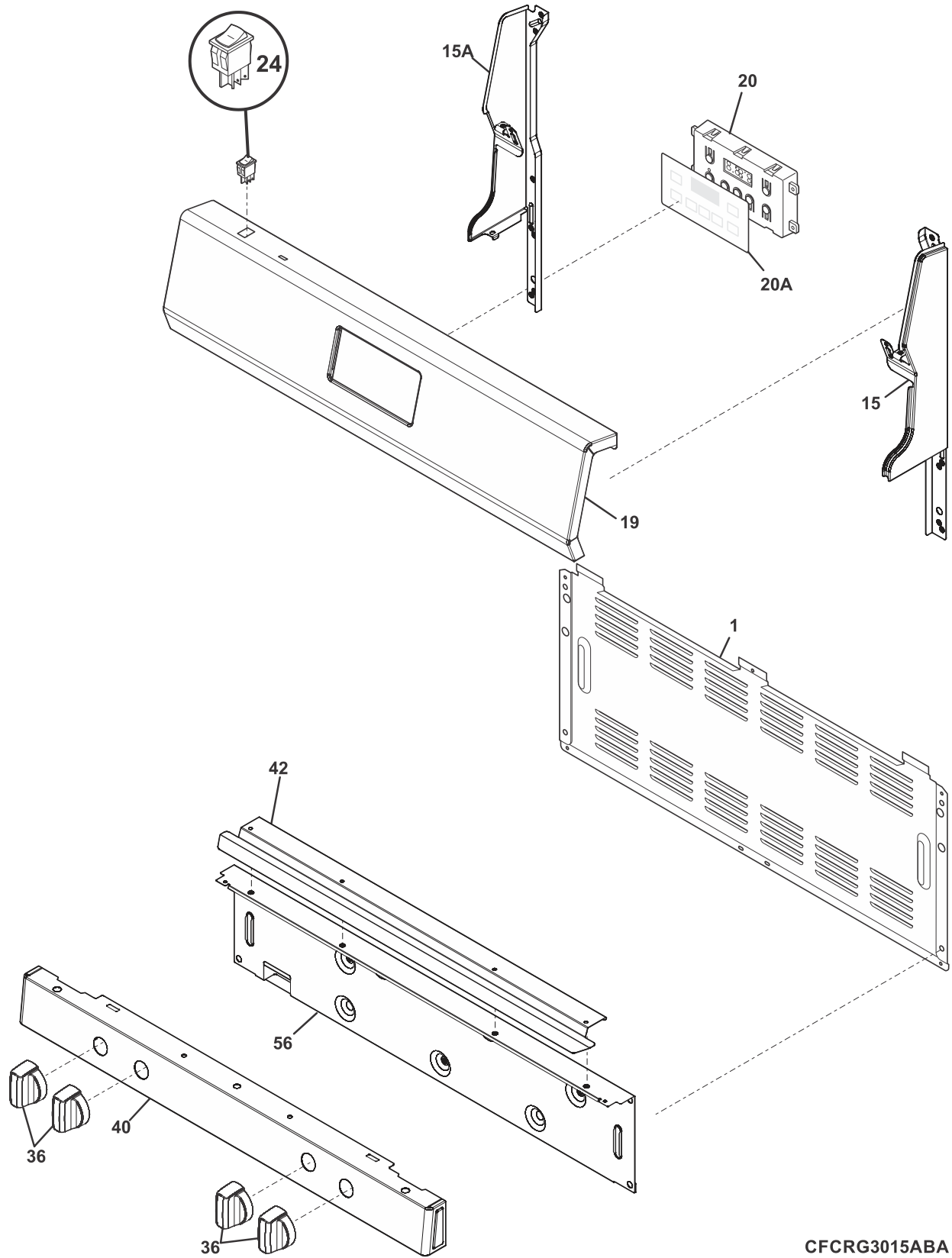
P.O. BOX 8020  
CHARLOTTE, NC 28262

Publication No.  
**5995716197**  
19/07/23  
(EN/SERVICE/)  
369

### 30-INCH FREE- STANDING GAS RANGE

Model No.  
FCRG3015A

**BACKGUARD**



**CFCRG3015ABA**

**BACKGUARD**

Model Index: A FCRG3015A (FCRG3015ABA)  
B FCRG3015A (FCRG3015AWA)

POS. NO	PART NO.		DESCRIPTION
1	316281802	A B	Shield, backguard, rear wall
15	5304493644	A -	Cap, end, black, RH
15	808754505	- B	Cap, end, white, RH
15A	5304493646	A -	Cap, end, black, LH
15A	808754506	- B	Cap, end, white, LH
19	5304519435	A -	Panel, backguard, black
19	5304519434	- B	Panel, backguard, white
20 #	5304521341	A B	Control, electronic, ES100
20A	316220729	A -	Overlay, clock, black
20A	316220728	- B	Overlay, clock, white
24 #	5304515139	A -	Switch, rocker, black, oven light
24 #	5304515133	- B	Switch, rocker, white
36	5304507386	A -	Knob, top valve, black
36	5304507387	- B	Knob, top valve, white
40	316605354	A -	Panel, manifold, black
40	316605353	- B	Panel, manifold, white
42	808754601	A -	Deflector, backguard
42	808754602	- B	Deflector, backguard, light grey
56	316230708	A B	Shield, backguard, inner
*	316021105	A B	Screw, hex head cup pt, 8-18 x 0.375, black
*	316021108	A B	Screw, cup pt, 8-18 x 0.375, chrome
*	316021109	A B	Screw, 8-18 x 0.5, chrome
*	316089500	A B	Screw, 10-16 x .486

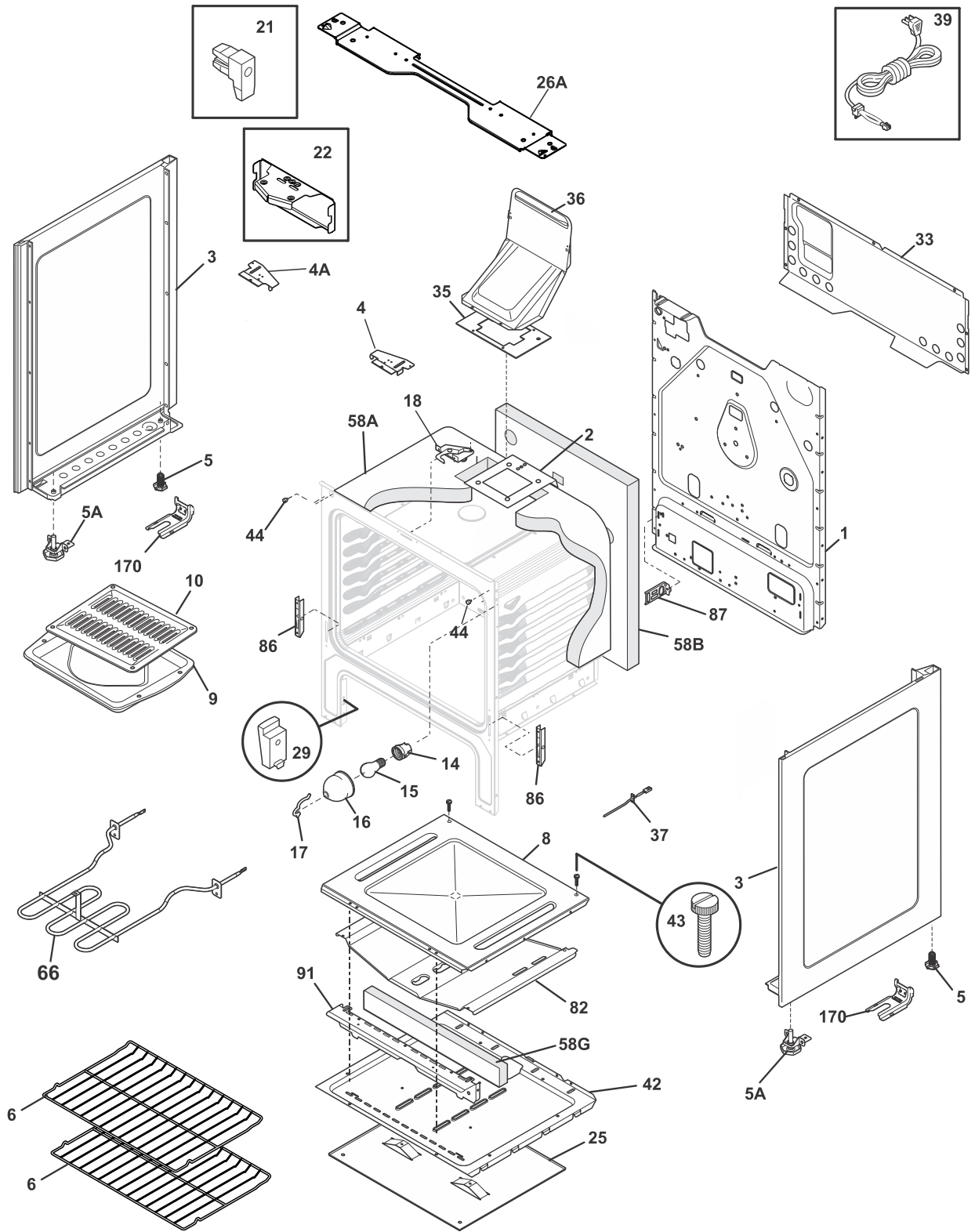


**BURNER**

Model Index: A FCRG3015A (FCRG3015ABA)  
B FCRG3015A (FCRG3015AWA)

POS. NO	PART NO.		DESCRIPTION
1 #	5304514361	A B	Manifold, pipe
2A #	5304506547	A B	Valve, top burner, black stem, 500BTU
2B #	5304506549	A B	Valve, top burner, blue stem, 1125BTU
2C #	5304506548	A B	Valve, top burner, green stem, 850BTU
*	316215600	A B	Screw, valve mtg., 1/4 - 20
3 #	5304520897	A B	Harness, ignition
8 #	808608802	A B	Spark Module
8*	316021109	A B	Screw, 8-18 x 0.5, chrome
8*	316257400	A B	Bracket, spark module
10 #	316438200	A B	Burner, sealed, 5K
10B#	316438600	A B	Burner, sealed, 14K
10C#	316558300	A B	Burner, sealed, 9.5K
11 #	316536614	A B	Ignitor/orifice assy., top burner, right front, 14K, w/holder, tube
11A#	316536610	A B	Ignitor/orifice assy., top burner, right rear, 5K, w/holder, tube
11B#	316536602	A B	Ignitor/orifice assy., top burner, left front, 9.5K, w/holder, tube
11C#	316536600	A B	Ignitor/orifice assy., top burner, left rear, 9.5K, w/holder, tube
12	316540900	A B	Screw, burner, head mtg, (8)
13 #	316489100	A B	Tube, 3/8, aluminum, rgltr to manf, with fittings
14 #	316091706	A B	Regulator, pressure
15	316091600	A B	Bracket, regulator
17 #	316572800	A B	Valve, safety
17*	316498100	A B	Shield, wire, safety valve
*	316089500	A B	Screw, 10-16 x .486
18 #	316404400	A B	Burner, oven
19 #	5304508786	A B	Ignitor, bake
20	5304519024	A B	Baffle, oven burner
22	5304520704	A B	Tube, valve, 3/8
*	297174300	A B	Screw, self pierce, #8, 18x.63
37	316240600	A B	Screw, assy mtg, (8), ignitor/orifice
44 #	316527500	A B	Orifice, burner, 9.5K
44A#	316527504	A B	Orifice, burner, 5K
44C#	316527502	A B	Orifice, burner, 12K
47 #	GRLP4	- -	LP Conversion Kit, w/instructions, Optional, accessory
* #	316580601	A B	Harness-ignitor
*	316021105	A B	Screw, hex head cup pt, 8-18 x 0.375, black
*	316021108	A B	Screw, cup pt, 8-18 x 0.375, chrome

**BODY**



*NOTE: Oven Liner N/A  
Ass. du four N/A*

**VFCRG3015ABA**

---

**BODY**


---

Model Index: A FCRG3015A (FCRG3015ABA)  
 B FCRG3015A (FCRG3015AWA)

POS. NO	PART NO.		DESCRIPTION
1	316401607	A B	Back, main
*	316418901	A B	Screw, trilobe, 10-32 x 5/16", black
2	316437100	A B	Brace, oven top
3	316400136	A -	Panel, bodyside, black, RH
3	316400137	A -	Panel, bodyside, black, LH
3	316400134	- B	Panel, bodyside, white, RH
3	316400135	- B	Panel, bodyside, white, LH
4	316605400	A B	Bracket-maintop, RH
4A	316605401	A B	Bracket-maintop, LH
5	316272900	A B	Screw, leveling, plastic, rear, (2)
5A	5304509869	A B	Leveling Leg Assy, metal, front, (2), bracket & leg
6	316496201	A B	Rack, oven
8	316400603	A B	Panel, oven bottom
9	316081900	A B	Pan, broilerOPTIONAL ACCESSORY
10	316082000	A B	Insert, broiler panOPTIONAL ACCESSORY
14	316116400	A B	Receptacle, oven light
15	316538901	A B	Lamp, oven light
16	318406100	A B	Lens, oven light, glass
17	316087500	A B	Retainer, lens
18 #	316405802	A B	Bracket, hole opening, no latch
21	316408000	A B	Clip, bodyside
22	316286300	A B	Bracket-bodyside, (2)
*	316279600	A B	Screw, bracket, stiffener, (4)
25	316406200	A B	Shield, heat, lower
26A	316498200	A B	Bracket-support, chassis, aluminum
33	316405900	A B	Shield, rear wall
35	316542102	A B	Gasket-flue
36	316208903	A B	Flue
37 #	316490000	A B	Probe, oven temp
39 #	5304509199	A B	Cord, electric power, black
*	316001003	A B	Screw, ground wire
42	316400700	A B	Shield, wool, lower
43	3131732	A B	Screw, 8-18 x 1.438, oven bottom
44	316517600	A B	Bumper, front, main
58A	316403701	A B	Insulation, oven wrapper
58B	316403603	A B	Insulation, oven back
58G	08067973	A B	Insulation, main front
66 #	5304521340	A B	Element, broil
82	316400801	A B	Shield, bake burner
82*	316432800	A B	Clip, wire
86	316441300	A B	Receptacle, hinge
*	316418900	A B	Screw, sims lp, #8-32 x 5/16", black
87	316401202	A B	Bracket, harness
91	807219501	A B	Shield, burner, front
170	316112005	A B	Anti Tip Kit, assy, w/template
170*	316107200	A B	Bracket, anti-tip
170*	316116000	A B	Screw, concrete, 1.75", anti-tip brkt
170*	316541700	A B	Template, anti-tip





---

**BODY**

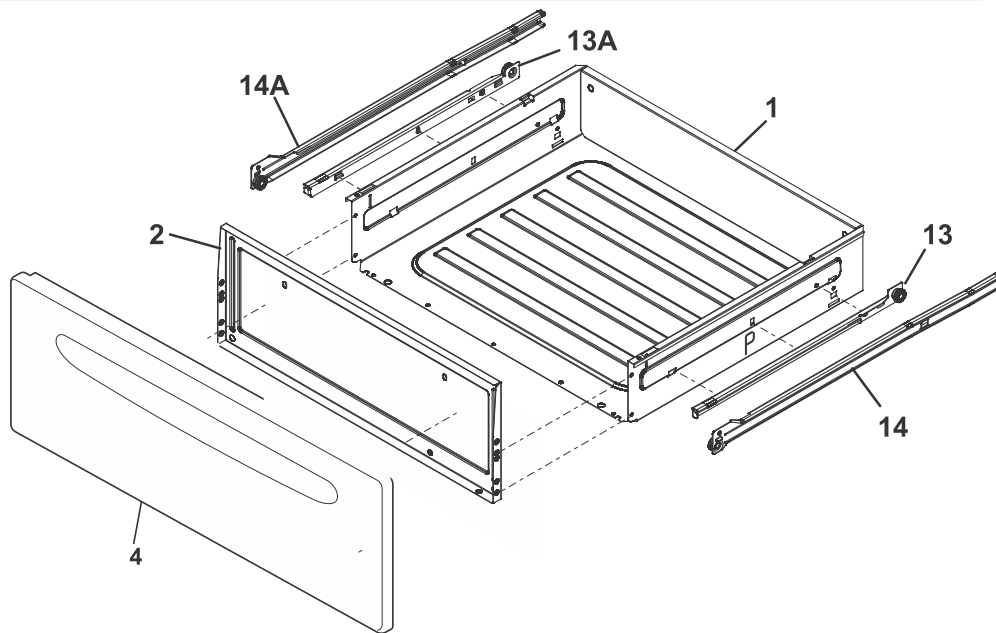
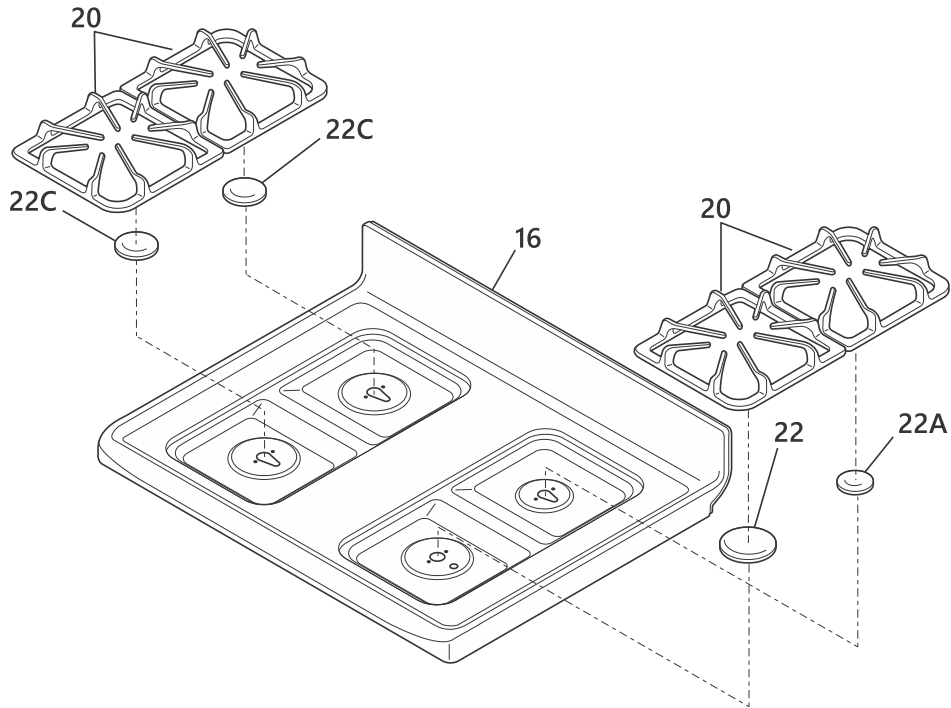

---

Model Index:   **A** FCRG3015A (FCRG3015ABA)  
                       **B** FCRG3015A (FCRG3015AWA)

POS. NO	PART NO.		DESCRIPTION
* #	5304520710	A B	Harness, wiring, main
*	316210800	A B	Plug, hole, light switch
*	297174300	A B	Screw, self pierce, #8, 18x.63
*	316021105	A B	Screw, hex head cup pt, 8-18 x 0.375, black
*	316021108	A B	Screw, cup pt, 8-18 x 0.375, chrome
*	5303285179	A B	Screw, wafer head, 8-32T x 0.500, black, 44*
*	316021109	A B	Screw, 8-18 x 0.5, chrome
*	5303288566	A B	Screw, TR HD SQD AB, 8-18 x 0.25, (8)
*	316021132	A B	Screw, 8-18 X 11/16, black, (3)
*	316089500	A B	Screw, 10-16 x .486
*	316215600	A B	Screw, valve mtg., 1/4 - 20
*	316260800	A B	Screw-shoulder, w/shoulder, #8-18 x 1/2"

**TOP/DRAWER**

---



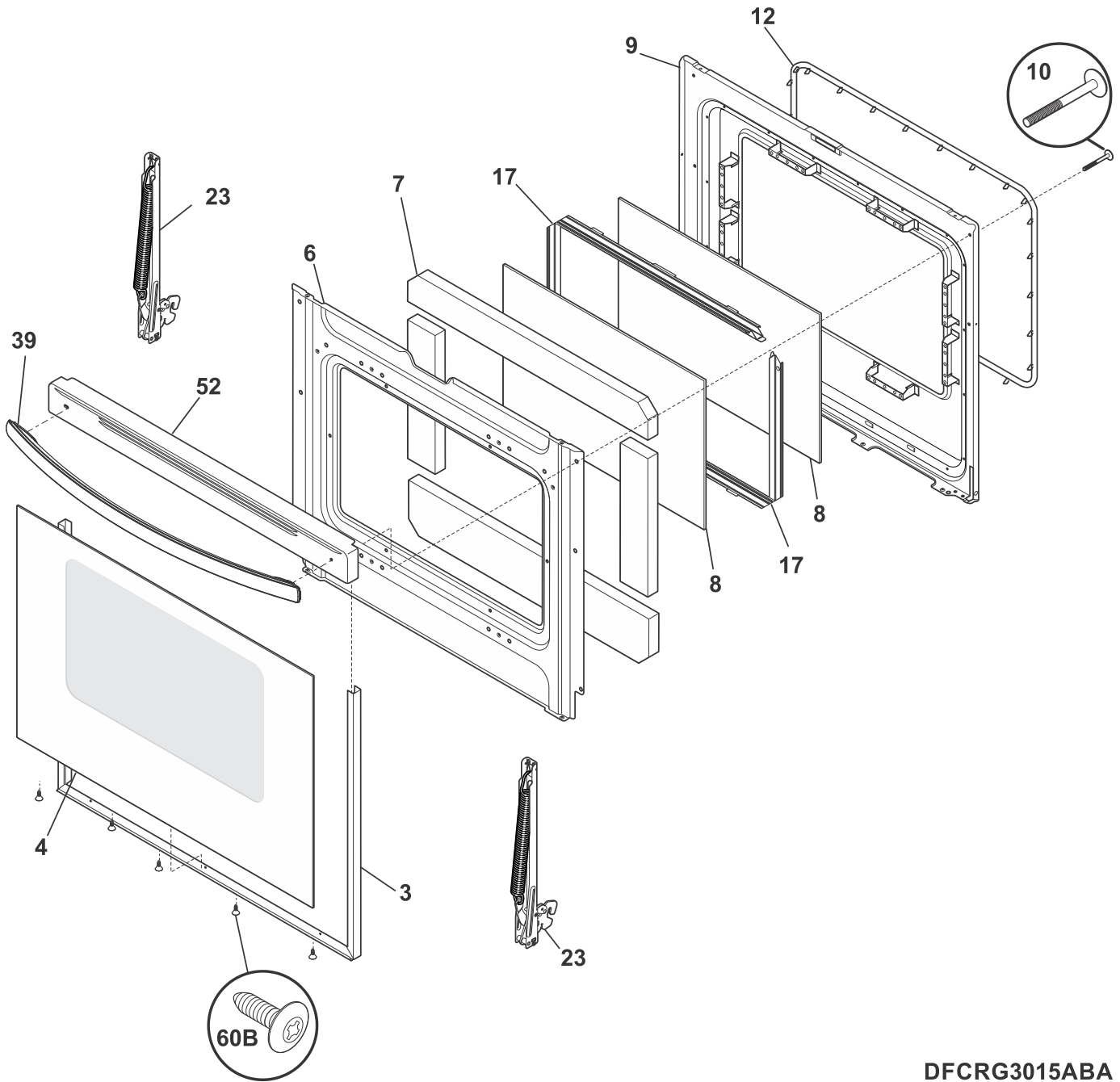
TFCRG3015ABA

**TOP/DRAWER**

*Model Index:*    **A** FCRG3015A (FCRG3015ABA)  
                               **B** FCRG3015A (FCRG3015AWA)

<b>POS. NO</b>	<b>PART NO.</b>		<b>DESCRIPTION</b>
1	316408706	A B	Drawer, utility
2	5304511880	A B	Liner, drawer
4	5304513125	A -	Panel, drawer, black
4	5304513124	- B	Panel, drawer, white
13	5304517905	A B	Glide, drawer, black, RH inner
13A	5304517903	A B	Glide, drawer, black, LH inner
14	5304517904	A B	Glide, drawer, black, RH outer
14A	5304517902	A B	Glide, drawer, black, LH outer
16	316610054	A -	Main Top, black
16	316610053	- B	Main Top, white
20 #	316463200	A B	Grate, gloss black, (4)
22	316262000	A B	Cap, 14K burner, black
22A	316261700	A B	Cap, 5K burner, black
22C	316261800	A B	Cap, 9.5K burner, black, (3)
*	316021105	A B	Screw, hex head cup pt, 8-18 x 0.375, black
*	316021108	A B	Screw, cup pt, 8-18 x 0.375, chrome
*	316021109	A B	Screw, 8-18 x 0.5, chrome
*	316089500	A B	Screw, 10-16 x .486
*	5303285179	A B	Screw, wafer head, 8-32T x 0.500, black, 44*

DOOR



DFCRG3015ABA

---

**DOOR**


---

*Model Index:*    **A** FCRG3015A (FCRG3015ABA)  
                           **B** FCRG3015A (FCRG3015AWA)

<b>POS. NO</b>	<b>PART NO.</b>		<b>DESCRIPTION</b>
3	5303935378	A -	Trim kit-door, 3 sided, black, w/tape
3	5303935379	- B	Trim kit-door, 3 sided, white, w/tape
4	316558906	A -	Glass, oven door, black, outer
4	316558905	- B	Glass, oven door, white, outer
6	316402315	A B	Shield, wool
7	316403900	A B	Insulation, oven door
8	5304503232	A B	Glass, oven door, inner
9	316423807	A B	Liner-oven door
10	316433300	A B	Screw, 10-14 x 2.125", handle mtg.
12	316403101	A B	Seal, oven door
16	316117503	A B	Glass, oven door, inner, HRC1
17	5304504811	A B	Spacer, glass
23	316575902	A B	Hinge, oven door, red
23*	316418900	A B	Screw, sims lp, #8-32 x 5/16", black
39	5304520635	A -	Handle Kit, black, w/2 mtg. screws
39	5304507385	- B	Handle, door, white
52	316575501	A -	Cap, door trim, black
52	316575500	- B	Cap, door trim, white
60B	316021109	A B	Screw, 8-18 x 0.5, chrome
*	316483102	A B	Label, anti-tip
*	316021105	A B	Screw, hex head cup pt, 8-18 x 0.375, black
*	316021108	A B	Screw, cup pt, 8-18 x 0.375, chrome
*	5303285179	A B	Screw, wafer head, 8-32T x 0.500, black, 44*