



FRIGIDAIRE

Factory Parts Catalog

Product No.	FGGH3047VDA	FGGH3047VFA
Series	30" FSFC gas	30" FSFC gas
Color	black stainless	stainless
Market	North America	North America
Owner's Guide	A13080901	A13080901
Installation Instructions	809127206	809127206
Service Data Sheet	808533211	808533211
Quick Start Guide	808595714	808595714

Frigidaire

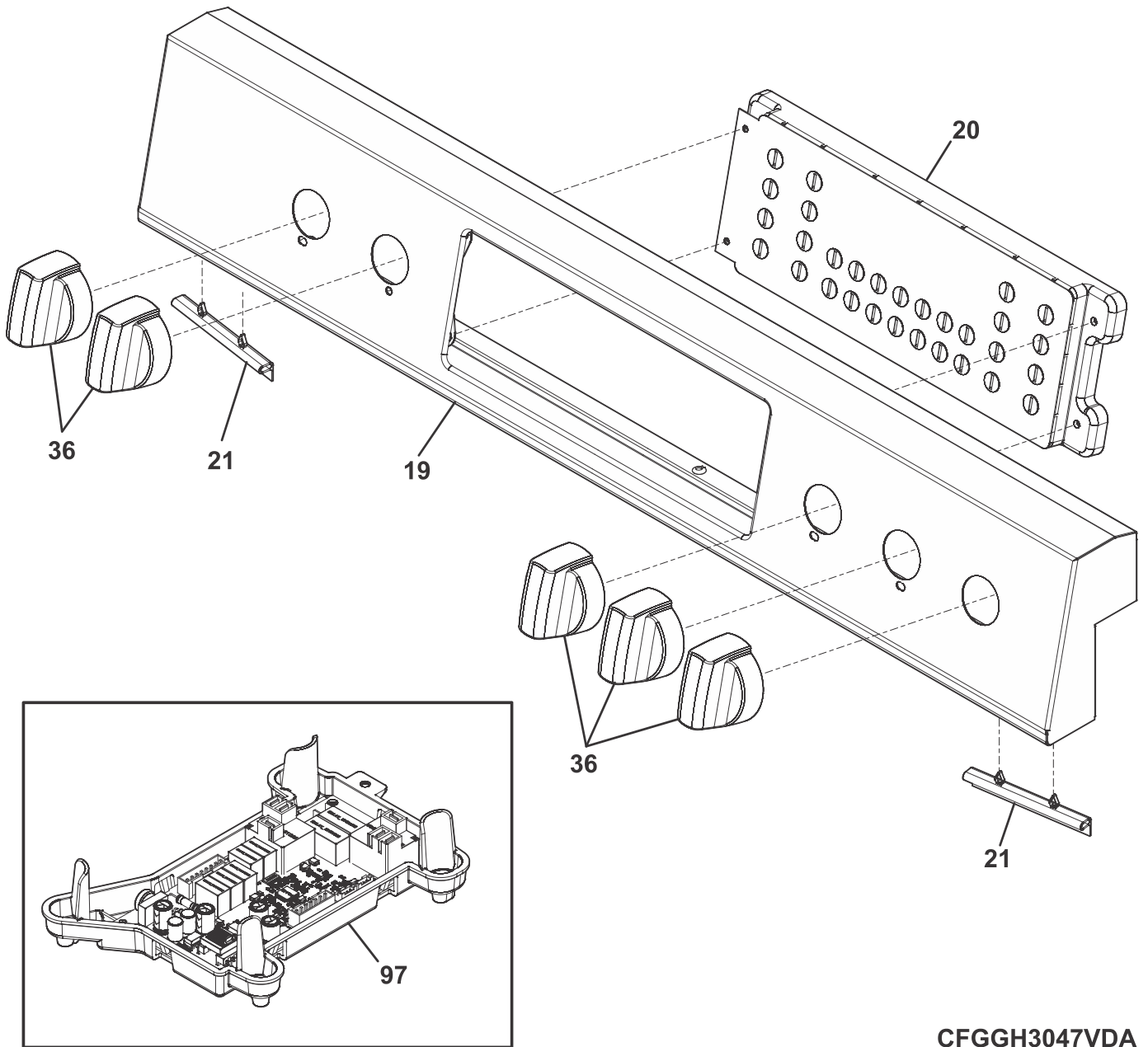
P.O. BOX 8020
CHARLOTTE, NC 28262

Publication No.
5995712741
19/03/07
(EN/SERVICE/ECL)
369

30-INCH FREE- STANDING GAS RANGE

Model No.
FGGH3047V

BACKGUARD



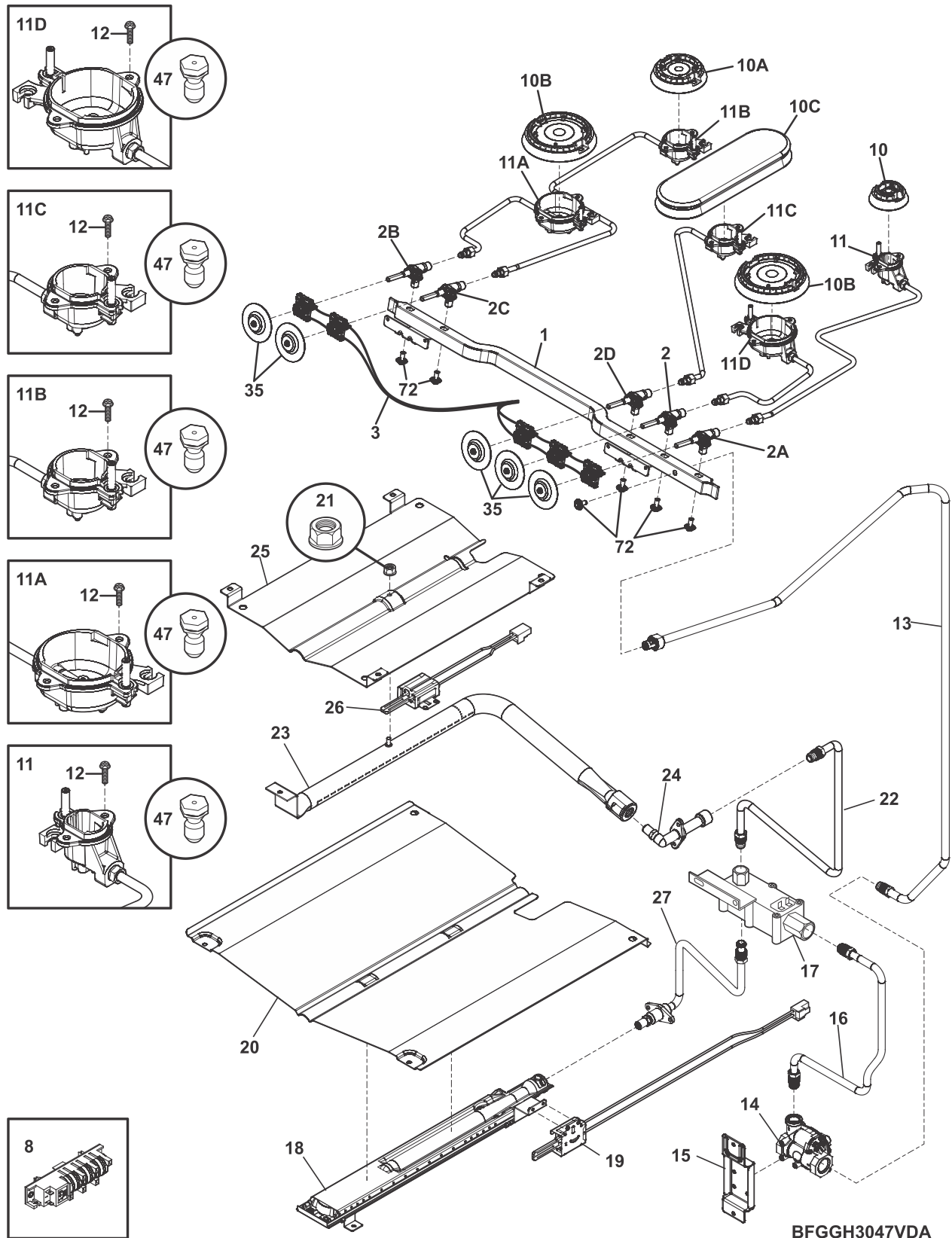
CFGGH3047VDA

BACKGUARD

Model Index: **A** FGGH3047V (FGGH3047VDA)
 B FGGH3047V (FGGH3047VFA)

POS. NO	PART NO.		DESCRIPTION
19	5304518006	A -	Control Panel, front, stainless
19	5304521009	- B	Control Panel, front, stainless
*	5304520393	A B	Spacer, foam block, 2" x 1", w/adhesive
20 #	5304516861	A B	Controller, electronic, black, ES510E
20*	316021109	A B	Screw, 8-18 x 0.5, chrome
21	5304521021	A B	Seal, control panel
36	5304521002	A -	Knob, top valve, stainless
36	5304521001	- B	Knob, top valve, stainless
97 #	5304518023	A B	PC Board, assembly, OVC3
97*	5303289910	A B	Screw, truss sqdr, 8A x 1", 62*
*	316021108	A B	Screw, cup pt, 8-18 x 0.375, chrome

BURNER



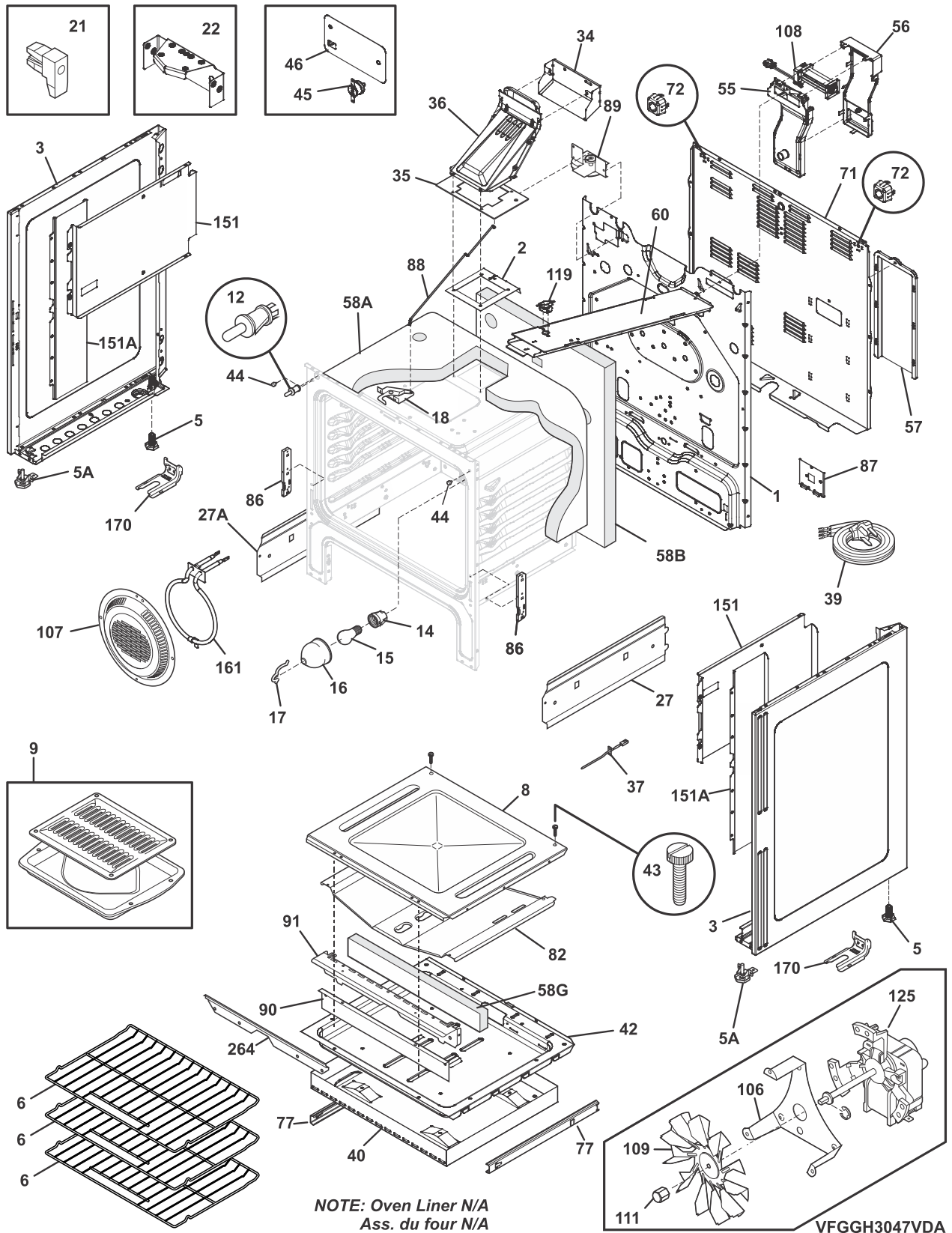
BFGGH3047VDA

BURNER

Model Index: **A** FGGH3047V (FGGH3047VDA)
B FGGH3047V (FGGH3047VFA)

POS. NO	PART NO.		DESCRIPTION
1 #	5304516832	A B	Manifold, pipe
2 #	5304506550	A B	Valve, top burner, white stem, 1500BTU
2A #	5304506547	A B	Valve, top burner, black stem, 500BTU
2B #	5304506549	A B	Valve, top burner, blue stem, 1125BTU
2C #	5304506548	A B	Valve, top burner, green stem, 850BTU
2D #	5304506551	A B	Valve, top burner, pink stem, 2500BTU
3 #	5304518025	A B	Switch Assembly, ignitor, w/harness
8 #	808608804	A B	Spark Module
8* #	5304517675	A B	Wire, ground, spark module, w/connector
*	316001003	A B	Screw, ground wire
10 #	5304521014	A B	Burner, Crown, small, AFT
10A#	5304521015	A B	Burner, Crown, medium, AFT
10B#	5304521016	A B	Burner, Crown, large, AFT
10C#	5304521033	A B	Burner Assembly, Crown, oval, AFT, w/cap
11 #	5304520921	A B	Ignitor/orifice assy., top burner, RH rear, 5K, w/holder, tube
11A#	5304521034	A B	Ignitor/orifice assy., top burner, LH front, 14K, w/holder, tube
11B#	5304521035	A B	Ignitor/orifice assy., top burner, LH rear, 9.5K, w/holder, tube
11C#	5304521036	A B	Ignitor/orifice assy., top burner, center, 9.5K, w/holder, tube
11D#	5304521037	A B	Ignitor/orifice assy., top burner, RH front, 18K, w/holder, tube
12	316540900	A B	Screw, burner, head mtg, (8)
13 #	5304514135	A B	Tube, manifold supply
14 #	5304498819	A B	Regulator, pressure
15	316603300	A B	Bracket, regulator
16	5304507349	A B	Tube, safety valve
17 #	5303210798	A B	Valve, safety
17*	316498100	A B	Shield, wire, safety valve
18 #	5304494426	A B	Burner, oven
19 #	5304508786	A B	Ignitor, bake
20	316602002	A B	Baffle, oven burner
21	5303013272	A B	Nut, hex head sems
22 #	5304516857	A B	Tube, broil burner
23 #	316404302	A B	Burner, broiler
24 #	5304516894	A B	Elbow, mixer
*	297174300	A B	Screw, self pierce, #8, 18x.63
25	5304497666	A B	Baffle, broiler
26 #	5304506545	A B	Ignitor, broiler
26*	316401500	A B	Cover, broil Ignitor
27 #	316602400	A B	Tube, valve to bake, w/mixer
27*	316602300	A B	Bracket, mixer, bake
*	5303289910	A B	Screw, truss sqdr, 8A x 1", 62*
35	5304508440	A B	Bushing, insulating
47 #	GRLP4	A B	LP Conversion Kit, w/instructions, Optional, accessory
72	316215600	A B	Screw, valve mtg., 1/4 - 20
*	316021104	A B	Screw, hex, 8-18 x 3/8, nick, (3), regulator brkt
*	316021105	A B	Screw, hex head cup pt, 8-18 x 0.375, black
*	316089500	A B	Screw, 10-16 x .486

BODY

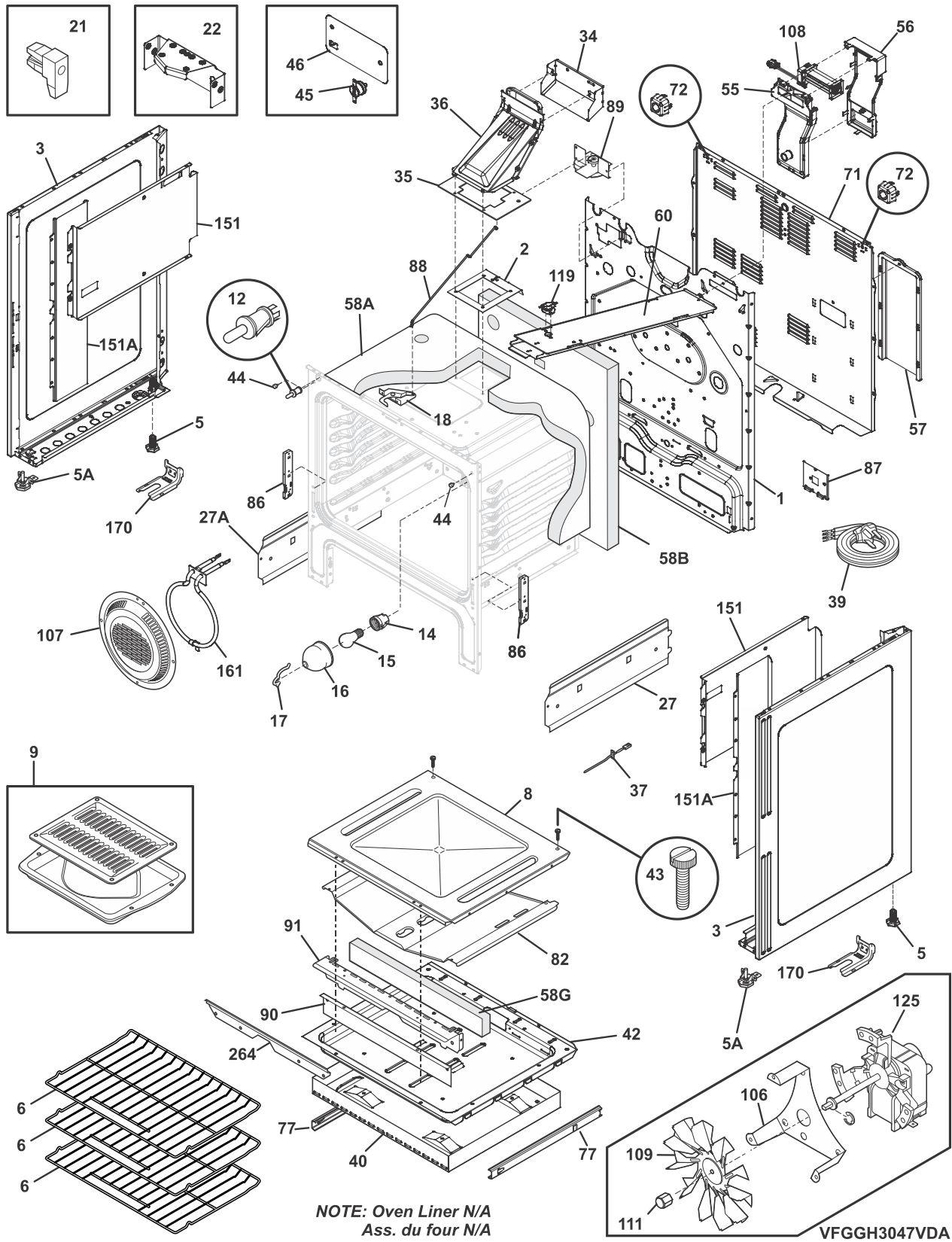


BODY

Model Index: **A** FGGH3047V (FGGH3047VDA)
B FGGH3047V (FGGH3047VFA)

POS. NO	PART NO.		DESCRIPTION
1	5304514161	A B	Back, main
2	316437100	A B	Brace, oven top
*	297174300	A B	Screw, self pierce, #8, 18x.63
3	316400136	A B	Panel, bodyside, black, RH
3	316400137	A B	Panel, bodyside, black, LH
5	316272900	A B	Screw, leveling, plastic, rear, (2)
5A	5304509869	A B	Leveling Leg Assy, metal, front, (2), bracket & leg
*	316021132	A B	Screw, 8-18 X 11/16, black, (3)
6	316498003	A B	Rack, oven
8	316603201	A B	Panel, oven bottom
8*	316064600	A B	Support, oven bottom
9	5304494997	A B	Broil Pan Kit, pan & insert, slate blue, Optional, accessory
12	316445501	A B	Switch, oven light, door frame
14 #	316116400	A B	Receptacle, oven light
15	316538901	A B	Lamp, oven light
16	318406100	A B	Lens, oven light, glass
17	316087500	A B	Retainer, lens
18 #	316405800	A B	Latch Assembly, oven door
*	5303285179	A B	Screw, wafer head, 8-32T x 0.500, black, 44*
21	316408000	A B	Clip, bodyside
22	5304514125	A B	Bracket, support, body side, (2)
27	316604100	A B	Shield, warmer side, RH
27A	316604101	A B	Shield, warmer side, LH
34	5304514137	A B	Shield, fluebox
35	316542100	A B	Gasket-flue
36	5304514132	A B	Fluebox, assembly
37 #	316490003	A B	Probe, oven temp
39 #	5304509199	A B	Cord, electric power, black
*	316001003	A B	Screw, ground wire
40	316602600	A B	Shield, warmer drawer
42	316601600	A B	Shield, chassis, lower
43	3131732	A B	Screw, 8-18 x 1.438, oven bottom
44	316517600	A B	Bumper, front, main
45 #	5304514198	A B	Thermostat, thermal cut-off, 110, auto reset
45*	5304514202	A B	Nut, lock, M4 x .70, thermostat
46	5304514193	A B	Plate, TCO mounting
55	5304514171	A B	Duct, inlet air, front
56	5304514172	A B	Duct, inlet air, rear
57	5304514173	A B	Duct, exterior
58A	316403700	A B	Insulation, oven wrapper
58B	316403600	A B	Insulation, oven back
58G	08067973	A B	Insulation, main front
60	5304514196	A B	Duct Assembly, cooling, toggle lock
71	5304514175	A B	Shield, wire, rear
72	5304514177	A B	Spacer, wire shield, (2)
77	316456700	A B	Slide, warmer drawer, outer/RH & LH, (2)
82	316601401	A B	Shield, bake
82*	316432800	A B	Clip, wire
86	316508600	A B	Receptacle, hinge, (2)
*	316418900	A B	Screw, sims lp, #8-32 x 5/16", black

BODY

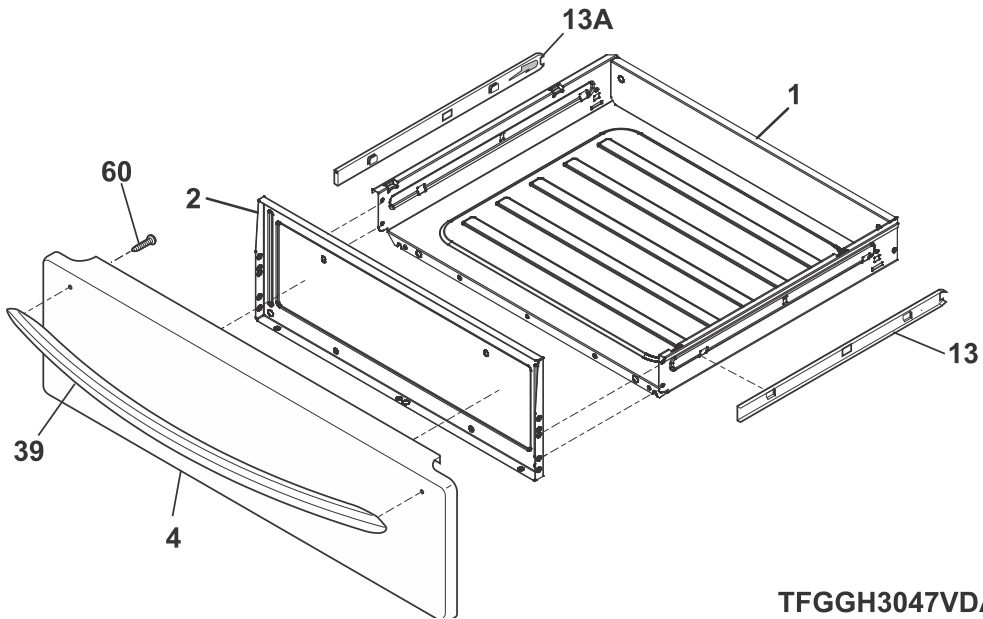
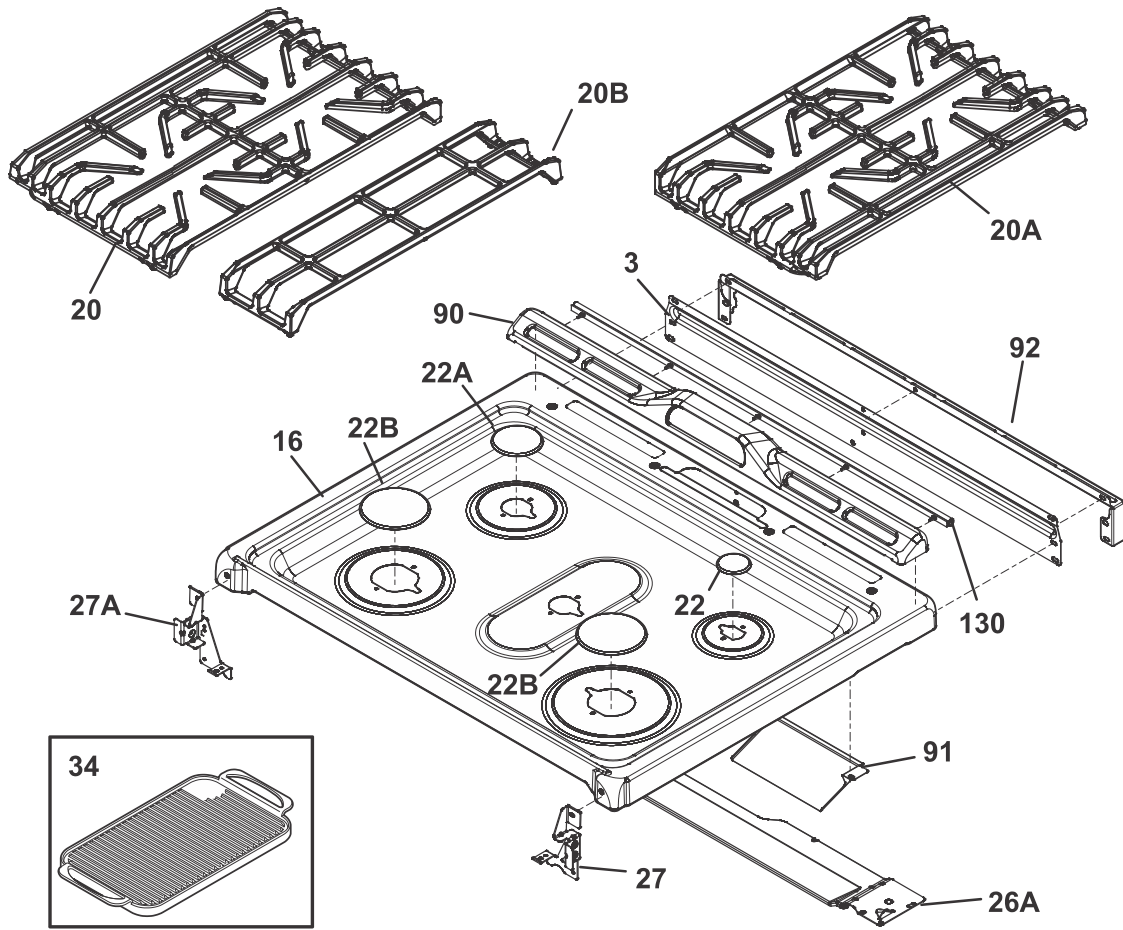


BODY

Model Index: **A** FGGH3047V (FGGH3047VDA)
B FGGH3047V (FGGH3047VFA)

POS. NO	PART NO.		DESCRIPTION
87	316602200	A B	Plate, power cord, mount
88	316232702	A B	Rod, auto latch
89 #	316464300	A B	Motor-latch
90	316601900	A B	Shield, main, front
91	316601800	A B	Shield, burner, front
106	316404100	A B	Bracket, motor mtg.
107	316026701	A B	Cover, fan
*	5303271648	A B	Screw, wafer hd sq dr, 8-18AB x 0.5
108#	5304514166	A B	Fan Assembly, cooling
109	318398302	A B	Fan Blade
111	316136600	A B	Nut, fan retainer
119#	318578506	A B	Thermostat, safety, 105C
125#	316256900	A B	Motor-fan
*	5303289910	A B	Screw, truss sqdr, 8A x 1", 62*
151	5304518926	A B	Shield, heat, bodyside, (2)
151A	5304516866	A B	Shield, heat, bodyside
161#	5304518014	A B	Element, convection, 900W
170	316112005	A B	Anti Tip Kit, assy, w/template
170*	316107200	A B	Bracket, anti-tip
170*	316116000	A B	Screw, concrete, 1.75", anti-tip brkt
170*	316541700	A B	Template, anti-tip
264	316404700	A B	Bracket, air dam
* #	5304518022	A B	Harness, wiring, main
* #	5304521022	A B	Harness, wiring, low voltage
*	3203010	A B	Fastener, U-type, (2)
*	316021105	A B	Screw, hex head cup pt, 8-18 x 0.375, black
*	316021109	A B	Screw, 8-18 x 0.5, chrome
*	316279600	A B	Screw, bracket, stiffener, (4)

TOP/DRAWER



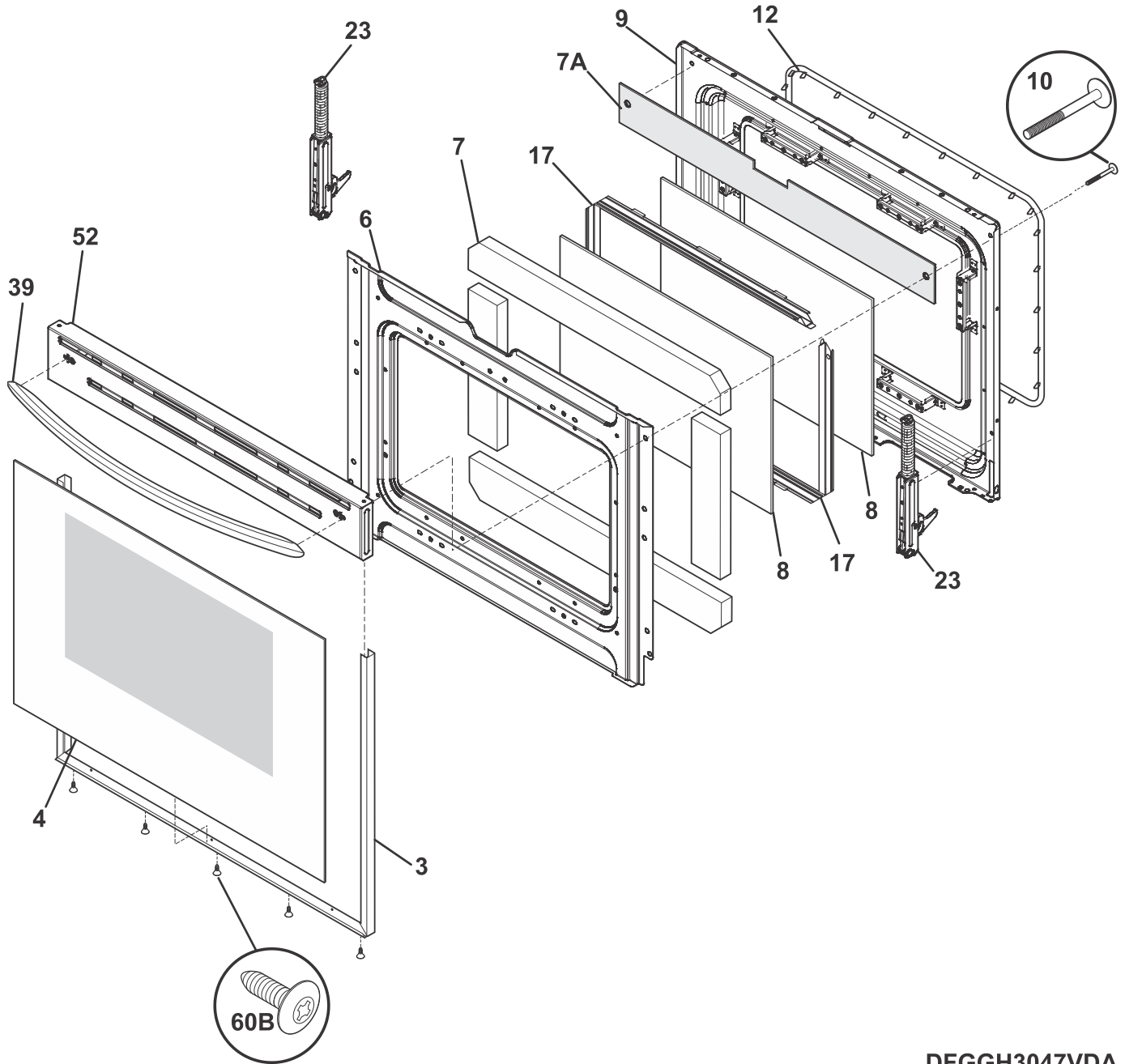
TFGGH3047VDA

TOP/DRAWER

Model Index: **A** FGGH3047V (FGGH3047VDA)
 B FGGH3047V (FGGH3047VFA)

POS. NO	PART NO.		DESCRIPTION
1	807108405	A B	Drawer, warmer
*	316089500	A B	Screw, 10-16 x .486
2	316403203	A B	Liner, black, drawer
3	5304514133	A B	Shield, rear wall, upper
4	5304517133	A -	Panel, drawer, black stainless
4	5304517477	- B	Panel, drawer, stainless
*	316021109	A B	Screw, 8-18 x 0.5, chrome
13	316415000	A B	Glide, warmer, inner RH
13A	316415001	A B	Glide, warmer, inner LH
16	5304520919	A B	Maintop, assembly, black
20	5304521077	A B	Grate, burner, black, RH side
20A	5304521078	A B	Grate, burner, black, LH side
20B	5304521079	A B	Grate, burner, black, center
22	5304520370	A B	Cap, burner, small, black
22A	5304520371	A B	Cap, burner, medium, black
22B	5304520372	A B	Cap, burner, large, black
26A	5304514126	A B	Bracket, support, rear, chassis
27	5304514123	A B	Bracket, mounting, RH, cooktop
27A	5304514124	A B	Bracket, mounting, LH, cooktop
*	5303285179	A B	Screw, wafer head, 8-32T x 0.500, black, 44*
34	5304495353	A B	Griddle
39	5304518030	A -	Handle, door/drawer, black stainless
39	5304518029	- B	Handle, door/drawer, stainless
60	5303288572	A B	Screw-handle mtg
90	5304514122	A B	Trim, vent, black, rear
91	5304514181	A B	Deflector, moisture, (2)
92	5304520261	A B	Rear Filler Kit, FCFS range, black
130	808931802	A B	Seal, maintop, silicone, rear
*	316021105	A B	Screw, hex head cup pt, 8-18 x 0.375, black

DOOR



DEGGH3047VDA

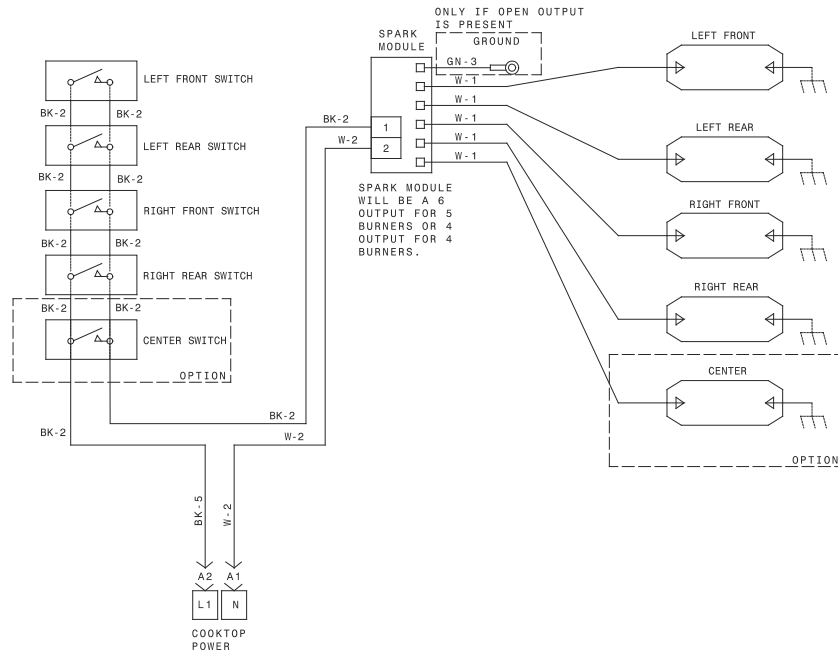
DOOR

Model Index: **A** FGGH3047V (FGGH3047VDA)
 B FGGH3047V (FGGH3047VFA)

POS. NO	PART NO.		DESCRIPTION
3	5303935378	A B	Trim kit-door, 3 sided, black, w/tape
4	316355501	A B	Glass Assembly, door, black, outer, w/foil
6	316402315	A B	Shield, wool
7	316403900	A B	Insulation, oven door
7A	5304518033	A B	Insulation, door liner, top
8	316117506	A B	Glass, oven door, inner
9	316423814	A B	Liner, oven door
10	316513301	A B	Screw, handle mtg, 10-24 x 2.188, (2)
12	5304498835	A B	Seal, oven door
17	5304504811	A B	Spacer, glass
23	5304521043	A B	Hinge, door, orange, dual spring
23*	316418900	A B	Screw, sims lp, #8-32 x 5/16", black
39	5304518030	A -	Handle, door/drawer, black stainless
39	5304518029	- B	Handle, door/drawer, stainless
52	5304518017	A -	Door Cap, assembly, black stainless, insul & spacers
52	5304518016	- B	Door Cap, assembly, stainless, insul & spacers
60B	316021109	A B	Screw, 8-18 x 0.5, chrome
*	316483102	A B	Label, anti-tip

WIRING DIAGRAM

COOKTOP CIRCUIT



- COLOR CODE / CODE
COULEUR
- BK = BLACK/NOIR
 - BR = BROWN/BRUN
 - R = RED/ROUGE
 - O = ORANGE/ORANGE
 - Y = YELLOW/JAUNE
 - GN = GREEN/VERT
 - BL = BLUE/BLEU
 - PU = PURPLE/VIOLET
 - GY = GREY/GRIS
 - W = WHITE/BLANC
 - T = TAN/BRONZER
 - PK = PINK/ROSE
 - BR/W = BROWN/WHITE
BRUN/BLANC
 - O/BK = ORANGE/BLACK
ORANGE/NOIR
 - PR/O = PURPLE/ORANGE
VIOLET/ORANGE
 - GR/BK = GREY/BLACK
GRIS/NOIR
 - GR/O = GREY/ORANGE
GRIS/ORANGE
 - GR/Y = GREY/YELLOW
GRIS/JAUNE
 - GR/R = GREY/RED
GRIS/ROUGE
 - GR/BL = GREY/BLUE
GRIS/BLEU

CODE CODE	GAUGE CALIBRE	TEMP.°C	CSA	UL
1	20	200	10202/3304	
2	20	150	EXL-B 3321	
3	18	150	EXL-B 3321	

CONNECTOR/
CONNECTEUR
A

CAUTION:DISCONNECT POWER BEFORE SERVICING UNIT.

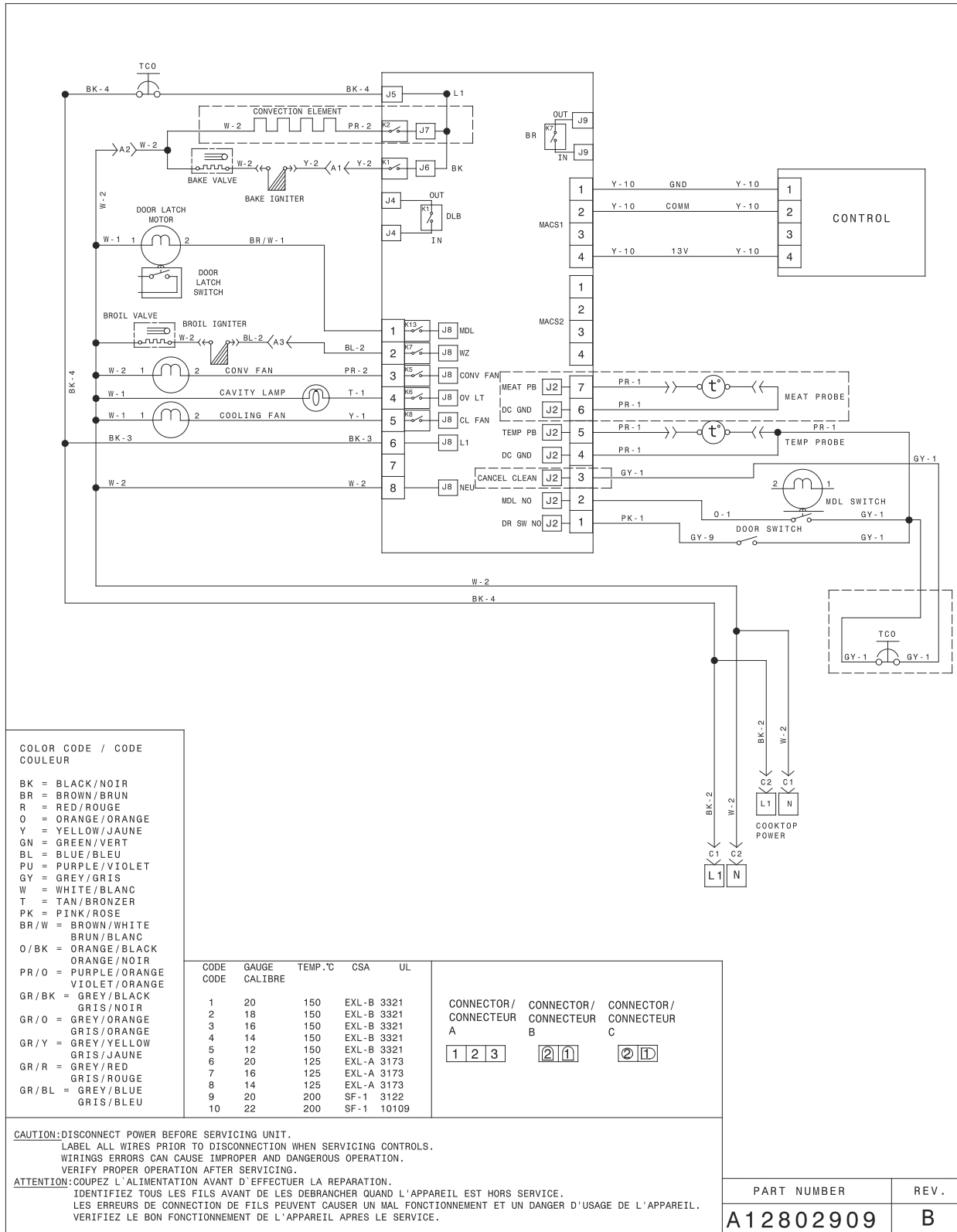
LABEL ALL WIRES PRIOR TO DISCONNECTION WHEN SERVICING CONTROLS.
WIRINGS ERRORS CAN CAUSE IMPROPER AND DANGEROUS OPERATION.
VERIFY PROPER OPERATION AFTER SERVICING.

ATTENTION:COUPEZ L'ALIMENTATION AVANT D'EFFECTUER LA REPARATION.

IDENTIFIEZ TOUS LES FILS AVANT DE LES DEBRANCHER QUAND L'APPAREIL EST HORS SERVICE.
LES ERREURS DE CONNECTION DE FILS PEUVENT CAUSER UN MAL FONCTIONNEMENT ET UN DANGER D'USAGE DE L'APPAREIL.
VERIFIEZ LE BON FONCTIONNEMENT DE L'APPAREIL APRES LE SERVICE.

PART NUMBER	REV.
A12802912	A

WIRING DIAGRAM



COLOR CODE / CODE
COULEUR

BK = BLACK/NOIR
BR = BROWN/BRUN
R = RED/ROUGE
O = ORANGE/ORANGE
Y = YELLOW/JAUNE
GN = GREEN/VERT
BL = BLUE/BLEU
PU = PURPLE/VIOLET
GY = GREY/GRIS
W = WHITE/BLANC
T = TAN/BRONZER
PK = PINK/ROSE
BR/W = BROWN/WHITE
BRUN/BLANC
O/BK = ORANGE/BLACK
ORANGE/NOIR
PR/O = PURPLE/ORANGE
VIOLET/ORANGE
GR/BK = GREY/BLACK
GRIS/NOIR
GR/O = GREY/ORANGE
GRIS/ORANGE
GR/Y = GREY/YELLOW
GRIS/JAUNE
GR/R = GREY/RED
GRIS/ROUGE
GR/BL = GREY/BLUE
GRIS/BLEU

CODE CODE	GAUGE CALIBRE	TEMP.°C	CSA	UL
1	20	150	EXL-B	3321
2	18	150	EXL-B	3321
3	16	150	EXL-B	3321
4	14	150	EXL-B	3321
5	12	150	EXL-B	3321
6	20	125	EXL-A	3173
7	16	125	EXL-A	3173
8	14	125	EXL-A	3173
9	20	200	SF-1	3122
10	22	200	SF-1	10109

CONNECTOR/ CONNECTEUR	CONNECTOR/ CONNECTEUR	CONNECTOR/ CONNECTEUR
A	B	C
1 2 3	2 1	2 1

CAUTION: DISCONNECT POWER BEFORE SERVICING UNIT.
LABEL ALL WIRES PRIOR TO DISCONNECTION WHEN SERVICING CONTROLS.
WIRINGS ERRORS CAN CAUSE IMPROPER AND DANGEROUS OPERATION.
VERIFY PROPER OPERATION AFTER SERVICING.

ATTENTION: COUPEZ L'ALIMENTATION AVANT D'EFFECTUER LA REPARATION.
IDENTIFIEZ TOUS LES FILS AVANT DE LES DEBRANCHER QUAND L'APPAREIL EST HORS SERVICE.
LES ERREURS DE CONNEXION DE FILS PEUVENT CAUSER UN MAL FONCTIONNEMENT ET UN DANGER D'USAGE DE L'APPAREIL.
VERIFIEZ LE BON FONCTIONNEMENT DE L'APPAREIL APRES LE SERVICE.

PART NUMBER	REV.
A12802909	B