



FRIGIDAIRE

Factory Parts Catalog

Product No.	FFE3052TDC
Series	30" f/s elec
Color	black stainless
Market	North America
Owner's Guide	808527510
Installation Instructions	316454912
Service Data Sheet	808532404

Frigidaire

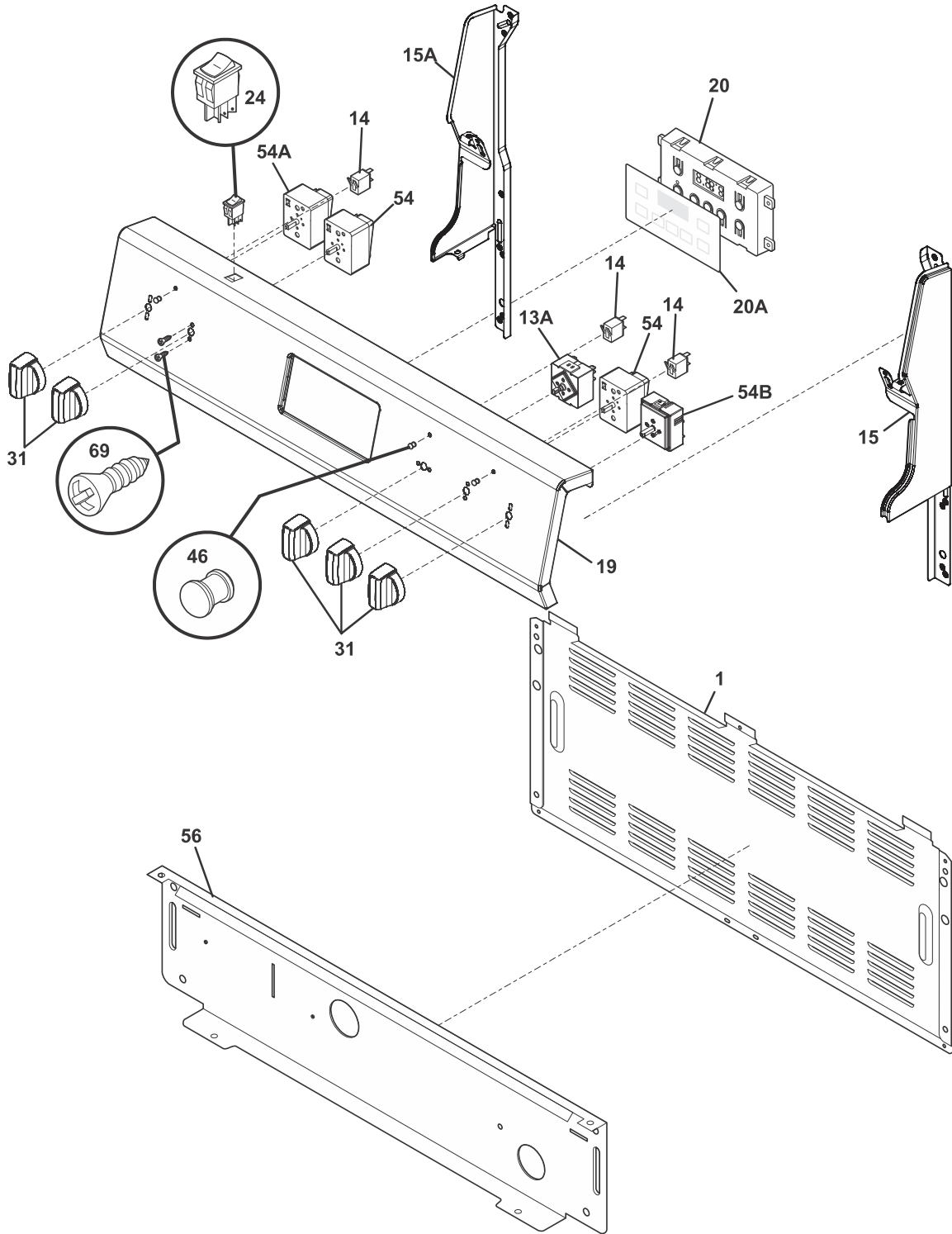
P.O. BOX 8020
CHARLOTTE, NC 28262

Publication No.
5995695029
17/12/20
(EN/SERVICE/ECL)
369

30-INCH FREE- STANDING ELECTRIC RANGE

Model No.
FFE3052T

BACKGUARD

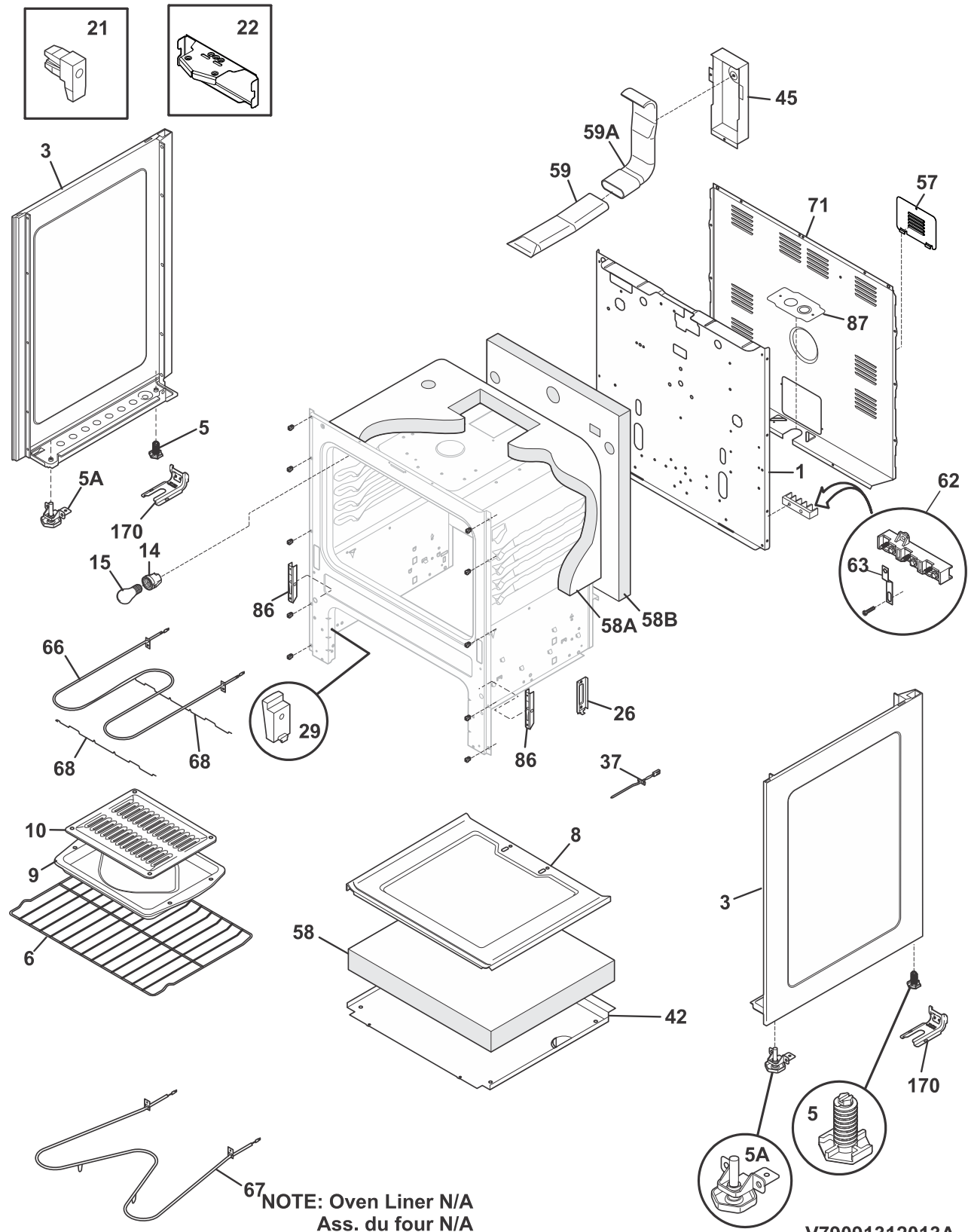


CFFEF3052TSA

BACKGUARD

POS. NO	PART NO.	DESCRIPTION
1	316281800	Shield, backguard, rear wall
13A#	5304508926	Switch, infinite, warmer
14	316022500	Light/Lamp, indicator, black, 125 V
15	5304493644	Cap, end, black, RH
15A	5304493646	Cap, end, black, LH
19	5304512538	Panel, backguard, black stainless
20 #	316455400	Clock/Timer, electronic, ES100
20A	316220729	Overlay, clock, black
24 #	316448700	Switch, rocker, black, oven light
31	5304509211	Knob, infinite switch, black stainless
46	316557300	Lens-light/lamp, indicator, clear
54 #	5304506424	Switch, control, small element
54A#	5304506425	Switch, control, large element
54B#	316238201	Switch, infinite radian, dual
56	316234013	Shield, backguard, black, inner
69	5303288565	Screw, truss sqdr, 8-32 x 3/16, switch mtg
*	316021105	Screw, hex head cup pt, 8-18 x 0.375, black
*	316021109	Screw, 8-18 x 0.5, chrome
*	316089500	Screw, 10-16 x .486

BODY

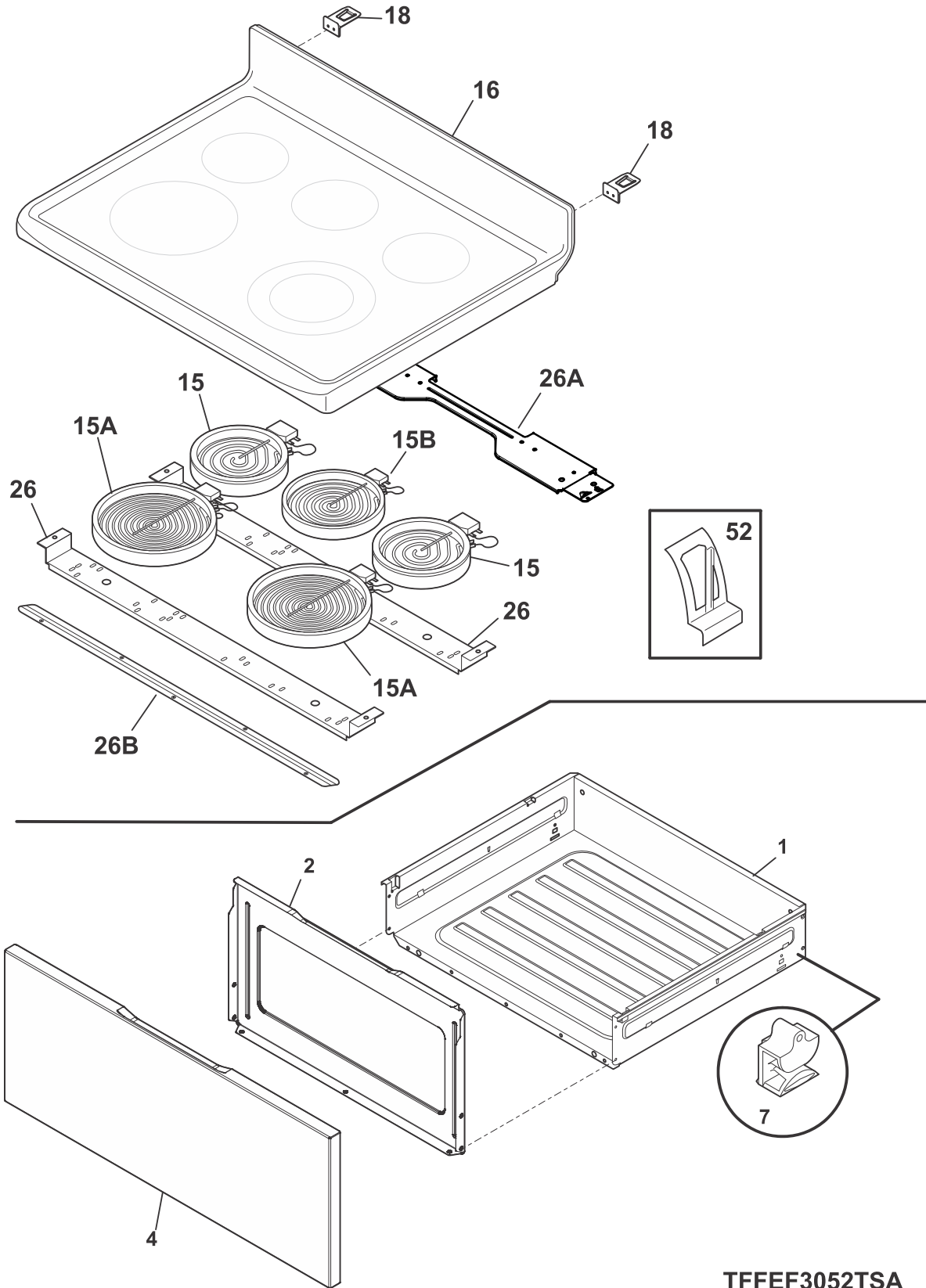


V79091312013A

BODY

POS. NO	PART NO.	DESCRIPTION
1	316201301	Back, main
*	316418901	Screw, trilobe, 10-32 x 5/16", black
3	316400118	Panel, bodyside, black, RH
3	316400119	Panel, bodyside, black, LH
5	316272900	Screw, leveling, plastic, rear, (2)
5A	5304509869	Leveling Leg Assy, metal, front, (2), bracket & leg
*	316089501	Screw, 10-16
6	316067902	Rack, oven, (2)
8	316201501	Panel, sump, oven bottom
9	316081900	Pan, broilerOPTIONAL ACCESSORY
10	316082000	Insert, broiler panOPTIONAL ACCESSORY
14	316116400	Receptacle, oven light
15	316538901	Lamp, oven light
21	316408000	Clip, bodyside
*	316279600	Screw, bracket, stiffener, (4)
22	316286300	Bracket-bodyside, (2)
26	316206300	Support, chassis, (2)
29	316407301	Glide, drawer, front
37 #	316233903	Probe, oven temp
42	316547400	Shield, wool, lower
45	316234100	Shield, wire, vent tube
57	316283600	Cover, access
58	3200847	Insulation, oven bottom
58A	316047707	Insulation, 1", oven wrapper
58B	316054202	Insulation, 1", oven back
59	316208201	Tube, oven vent, lower
*	316089500	Screw, 10-16 x .486
59A	316208304	Tube, oven vent, upper
62 #	5303935271	Terminal Block Kit
62*	297174300	Screw, self pierce, #8, 18x.63
62*	316001003	Screw, ground wire
62*	316205500	Nut, hex flange, 3/8 10-32
63	316542600	Plate, grounding strap
66 #	316203200	Element, broil
67 #	316225001	Element, bake
68	316203400	Support, broil element
71	316283200	Shield, rear wall
71*	316248900	Spacer, shield, rear wall
86	316441300	Receptacle, hinge
86*	316418900	Screw, sims lp, #8-32 x 5/16", black
87	316081200	Bracket, cable mtg
170	316112005	Anti Tip Kit, assy, w/template
170*	316107200	Bracket, anti-tip
170*	316116000	Screw, concrete, 1.75", anti-tip brkt
170*	316541700	Template, anti-tip
* #	5304509174	Harness, wiring, main
*	5304491650	Block, stability, concrete
*	316210800	Plug, hole, light switch
*	316021105	Screw, hex head cup pt, 8-18 x 0.375, black
*	316021108	Screw, cup pt, 8-18 x 0.375, chrome

TOP/DRAWER

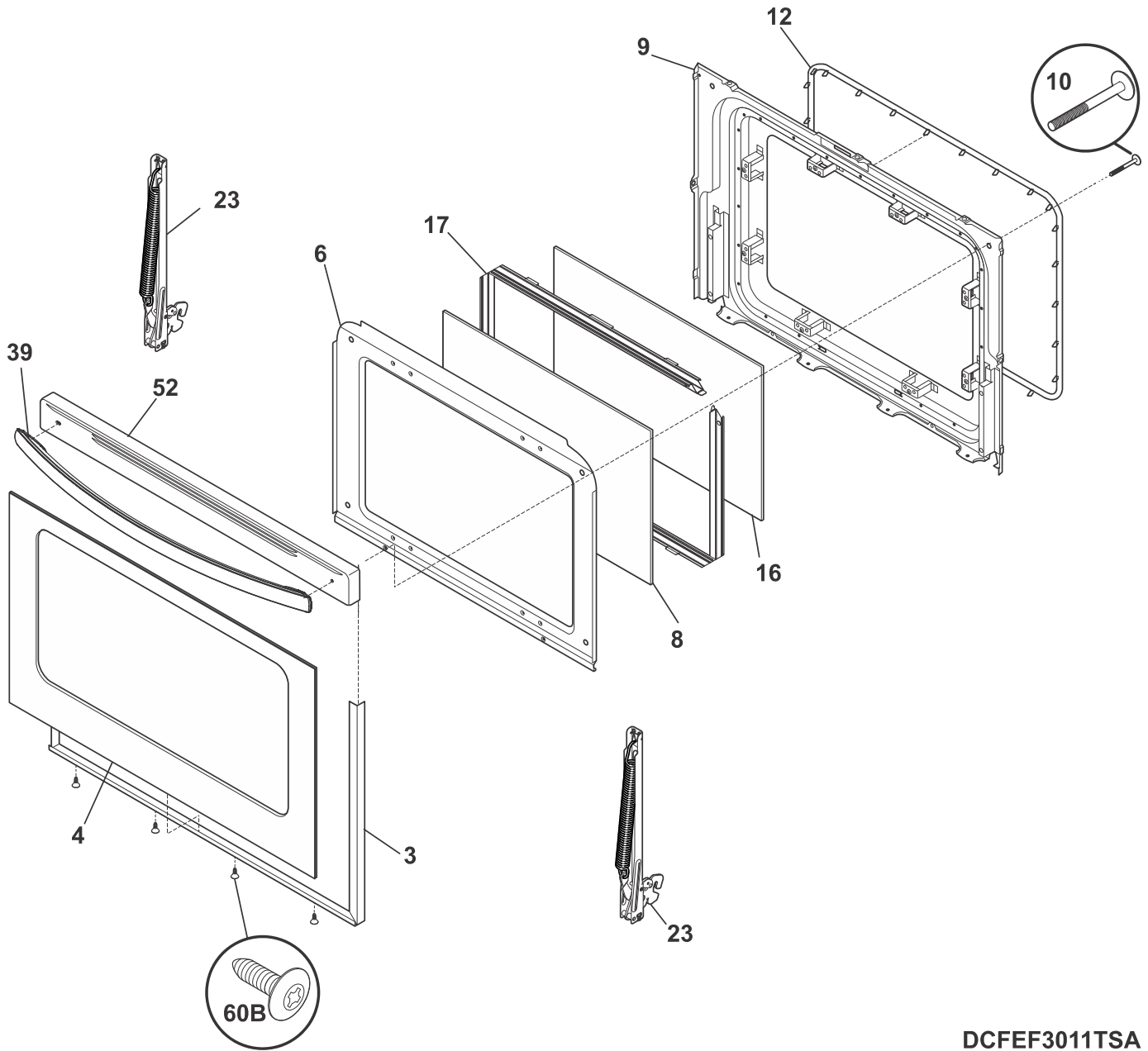


TFFEF3052TSA

TOP/DRAWER

POS. NO	PART NO.	DESCRIPTION
1	316408706	Drawer, utility
2	5304511288	Liner, drawer
4	5304512537	Panel, drawer front, black stainless
7	316407400	Glide, drawer, rear
15 #	318178110	Element, surface, 6", 1200, (2), radiant
15A#	316282000	Element, dual, 9"/6", surface, 3000W, quick boil
15B#	5304509306	Element, surface, warmer
16	5304513835	Smoothtop, assembly, glass/steel, black
18	316580800	Bracket-hinge, main top
26	5304512926	Channel, element support
26A	316498200	Bracket-support, chassis, aluminum
26B	316607600	Bracket, chassis support, front
52	316461700	Clip, element mtg
* #	5304513443	Harness, wiring, surface
*	316021105	Screw, hex head cup pt, 8-18 x 0.375, black
*	316021109	Screw, 8-18 x 0.5, chrome
*	316089500	Screw, 10-16 x .486
*	5308014215	Screw, 6-20 x 0.312

DOOR



DCFEF3011TSA

DOOR

POS. NO	PART NO.	DESCRIPTION
3	5303935398	Trim kit-door, 3 sided, black, w/tape and foil
4	316453053	Glass Assembly, oven door, w/tape, black stainless, outer, w/overlay
6	316222711	Shield, wool, black, oven door
8	5304503232	Glass, oven door, inner
9	316230635	Liner, oven door
10	316001013	Screw, wafer head, 10-24 X 1.375, handle mtg.
12	316239700	Seal, oven door
16	316117503	Glass, oven door, inner
17	5304503231	Spacer, door glass
23	316575924	Hinge, oven door
23*	316418900	Screw, sims lp, #8-32 x 5/16", black
39	5304509119	Handle, door, black stainless
52	316491201	Cap, door trim, black
60B	316021109	Screw, 8-18 x 0.5, chrome
*	316483102	Label, anti-tip