

Frigidaire

Factory Parts Catalog

Product No.	FRT18G6JB0	FRT18G6JQ0	FRT18G6JW0
Series	R134a	R134a	R134a
Color	black	bisque	white
Volts	115	115	115
Wiring Diagram	241582401	241582401	241582401
Owner's Guide	241857201	241857201	241857201
Market	North America	North America	North America
Energy Guide	241613774	241613772	241613772
Service Data Sheet	241588203	241588203	241588203
Installation Instructions	240568303	240568303	240568303

 **Electrolux**

Electrolux Major Appliances
 North & Latin America
 P.O. BOX 212378
 AUGUSTA, GA 30917

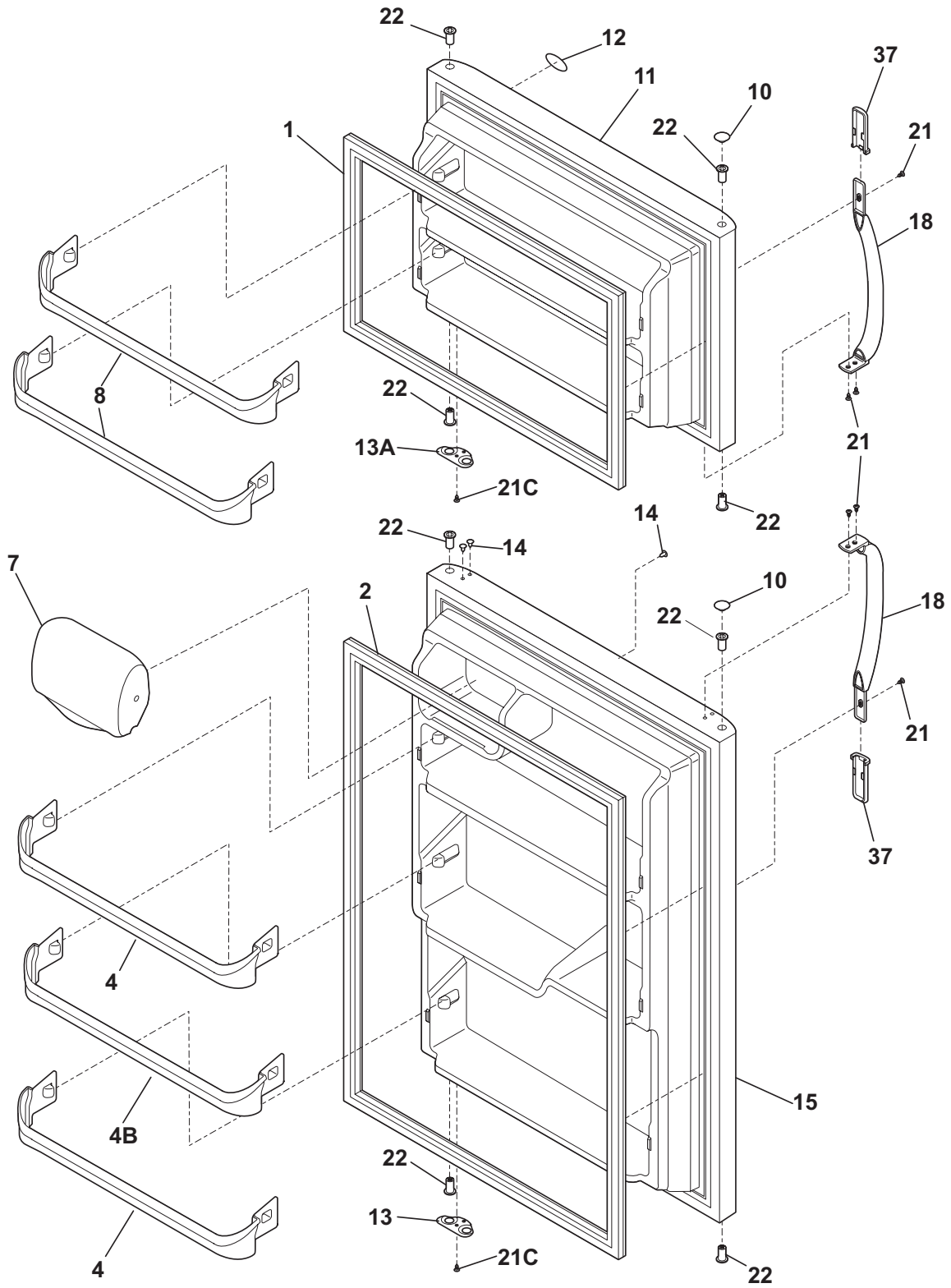
Publication No.
5995506333
 08/02/04
 (EN/SERVICE/KHB)
 390

**TOP-MOUNT
 REFRIGERATOR**

**Model No.
 FRT18G6J**

Copyright © 2008 Electrolux Home Products, Inc.
 All rights reserved.

DOOR



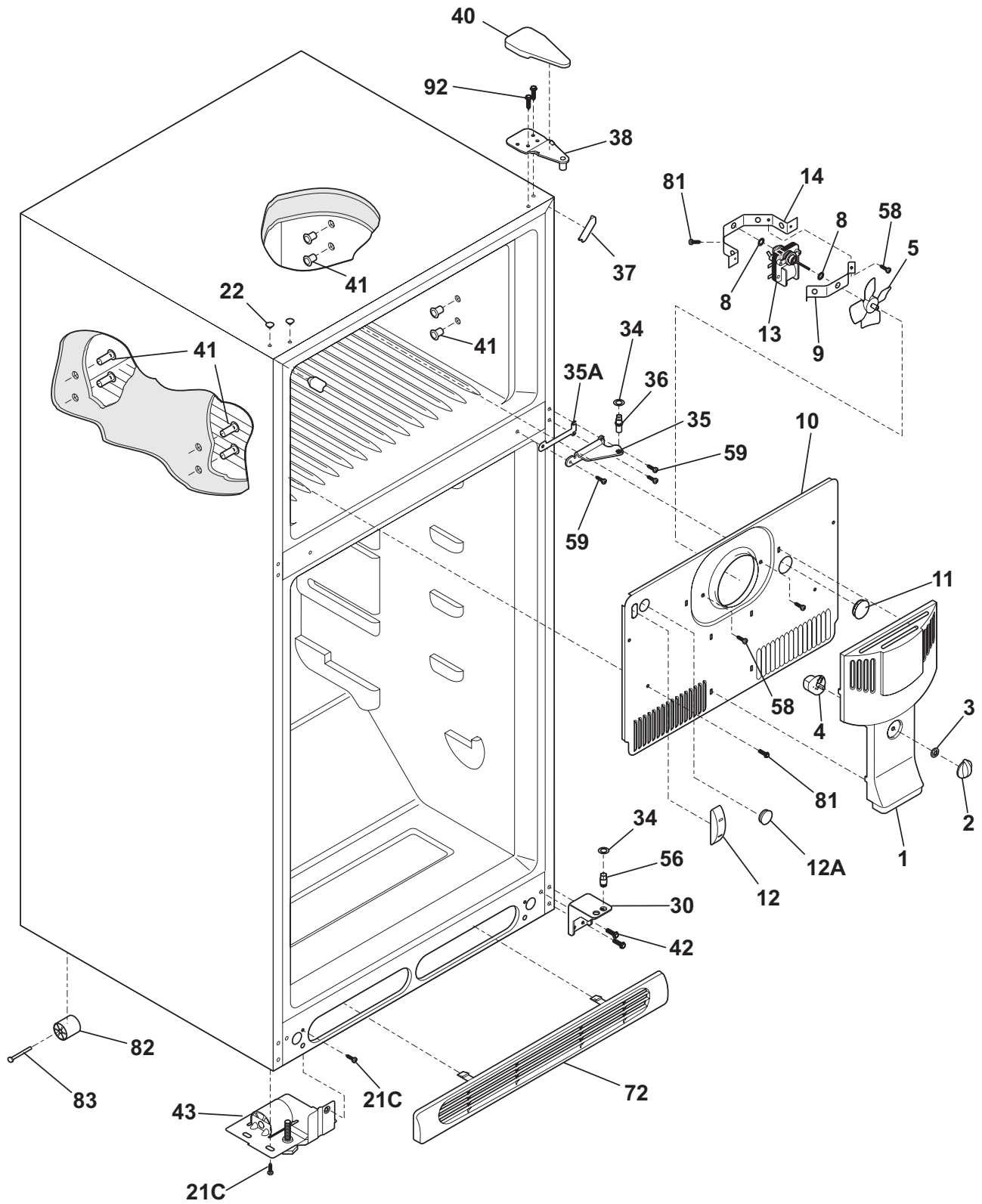
N05DAACKA1

DOOR

Model Index: A FRT18G6J (FRT18G6JB0)
 B FRT18G6J (FRT18G6JQ0)
 C FRT18G6J (FRT18G6JW0)

POS. NO	PART NO.		DESCRIPTION
1 #	241872509	A - -	Gasket-frzr door, black, magnetic
1 #	241872503	- B C	Gasket-frzr door, white, magnetic
2	241872512	A - -	Gasket-refr door, black, magnetic
2 #	241872506	- B C	Gasket-refr door, white, magnetic
4	240534901	A B C	Rack-door
4B	240534701	A B C	Rack-door, 4B
7	240337712	A B C	Door-dairy
8	240534801	A B C	Rack-door
10	240381303	A - -	Plug-button, black, hinge brg hole
10	240381302	- B -	Plug-button, bisque, hinge brg hole, (2)
10	240381301	- - C	Plug-button, white, hinge brg hole, (2)
11	240410203	A - -	Door-frzr, black, complete assy
11	240410202	- B -	Door-frzr, bisque, complete assy
11	240410201	- - C	Door-frzr, white, complete assy
12	241808601	A B C	Label-nameplate
13	240312405	A - -	Door Stop, black, refr
13	240312407	- B -	Door Stop, bisque, ref
13	240312403	- - C	Door Stop, white, ref
13A	240312406	A - -	Door Stop, black, frzr
13A	240312408	- B -	Door Stop, bisque, frzr
13A	240312404	- - C	Door Stop, white, frzr
14	240494003	A - -	Plug-button, black
14	240494002	- B -	Plug-button, bisque
14	240494001	- - C	Plug-button, white
15	240410305	A - -	Door-refr, black, complete assy
15	240410302	- B -	Door-refr, bisque, complete assy
15	240410301	- - C	Door-refr, white, complete assy
18	218668003	A - -	Handle-door, black
18	218668004	- B -	Handle-door, bisque
18	218668001	- - C	Handle-door, white
21	240383406	A B C	Screw, truss hd quad, #10-16 x .500, zinc
21C	218252201	A B C	Screw, #8 truss hd, 10-32CA x 0.500
22	240527102	A - -	Bearing-hinge, black
22	240527101	- B C	Bearing-hinge, natural color
37	215870636	A - -	Trim-handle, 2.47", black, w/satin AL band
37	215870633	- B -	Trim-handle, 2.47", bisque, w/satin AL band
37	215870629	- - C	Trim-handle, 2.47", white, w/satin AL band
37*	218676004	A B C	Band-decorative, satin aluminum, handle trim

CABINET



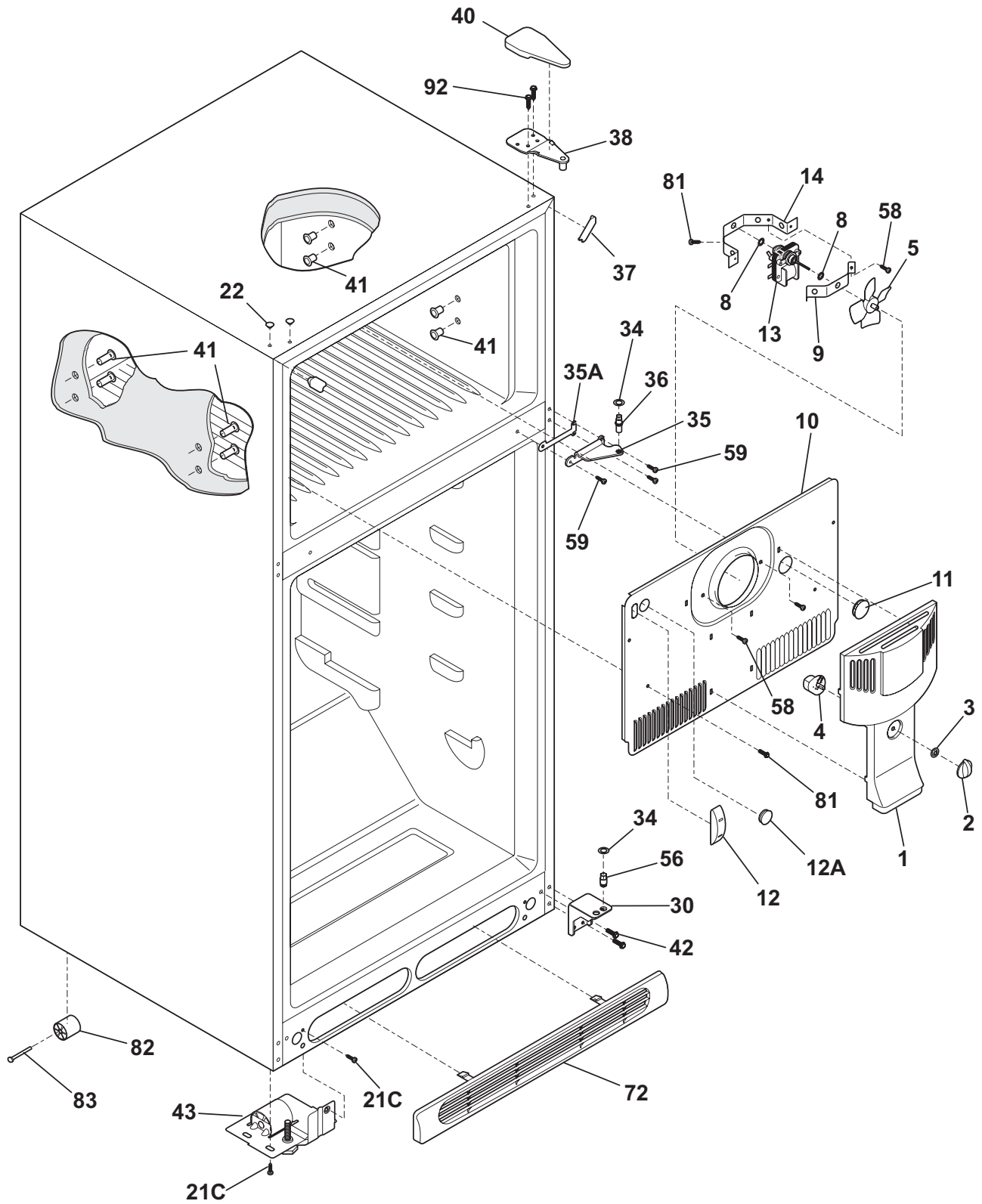
N05BBAABA19

CABINET

Model Index: A FRT18G6J (FRT18G6JB0)
 B FRT18G6J (FRT18G6JQ0)
 C FRT18G6J (FRT18G6JW0)

POS. NO	PART NO.		DESCRIPTION
1	241652301	A B C	Cover-fan
2	240367001	A B C	Knob-damper control
3	5303001028	A B C	Nut, push-on
4	241523701	A B C	Damper-fan cover
5 #	5308000010	A B C	Fan Blade, red, evaporator fan
8	5300157666	A B C	Bushing-motor mtg, (2)
9	5303292396	A B C	Bracket-motor mtg, front
10	241652214	A B C	Cover-evap coil
10*	240568601	A B C	Seal-coil cover
10*	241520701	A B C	Harness-wiring, freezer
11	5303208309	A B C	Plug-hole, factory test
12	241557601	A B C	Plug-ice maker harness, rectangular
12A	240374401	A B C	Plug-wtr inlet tube, round, 1"
12A*	241586701	A B C	Plug-foam-wtr-inlet, round
13 #	241854301	A B C	Motor-fan
13*	215474201	A B C	Washer, "slinger", nylon, evap fan shaft
14	5303292397	A B C	Bracket-motor mtg, rear
14*	240433204	A B C	Screw, hex washer head, 8-18 x 5/16
21C	218252201	A B C	Screw, #8 truss hd, 10-32CA x 0.500
22	215774918	A - -	Plug-button, black, upr hinge holes
22	215774919	- B -	Plug-button, bisque, upr hinge holes
22	215774901	- - C	Plug-button, white, upr hinge holes
30	240314003	A - -	Bracket-lower hinge, black
30	240314011	- B C	Bracket-lower hinge, zinc
34	240311303	A B C	Washer, hinge, nylon, (2)
35	240313803	A - -	Bracket-ctr hinge, black
35	240313806	- B C	Bracket-ctr hinge, zinc
35A	240336803	A - -	Spacer-hinge, center, black
35A	240336802	- B C	Spacer-hinge, center
36	240516402	A B C	Pin-center hinge
37	241611303	A - -	Trim-cabinet corner, black, (2)
37	241611304	- B -	Trim-cabinet corner, bisque, (2)
37	241611301	- - C	Trim-cabinet corner, white, (2)
38	240313701	A B C	Bracket-upper hinge
40	240354404	A - -	Cover-upper hinge, black
40	240354403	- B -	Cover-upper hinge, bisque
40	240354401	- - C	Cover-upper hinge, white
41	5308009759	A B C	Grommet, shelf mtg, 1.25", LH, (4)
42	240578902	A B C	Screw, hex head, 1/4-20 x 5/8
43	241559604	A B C	Roller Assy, fixed, front LH
43*	241559603	A B C	Roller Assy, fixed, front RH
56	240516502	A B C	Pin-lower hinge
58	5304456287	A B C	Screw, hex washer head, 8-15A x 0.500
59	240442707	A - -	Screw-#10-32 X 3/4, black
59	240442706	- B C	Screw-#10-32 X 3/4, zinc
72	241839407	A - -	Grille/Kickplate, black
72	241839406	- B -	Grille/Kickplate, bisque
72	241839405	- - C	Grille/Kickplate, white

CABINET



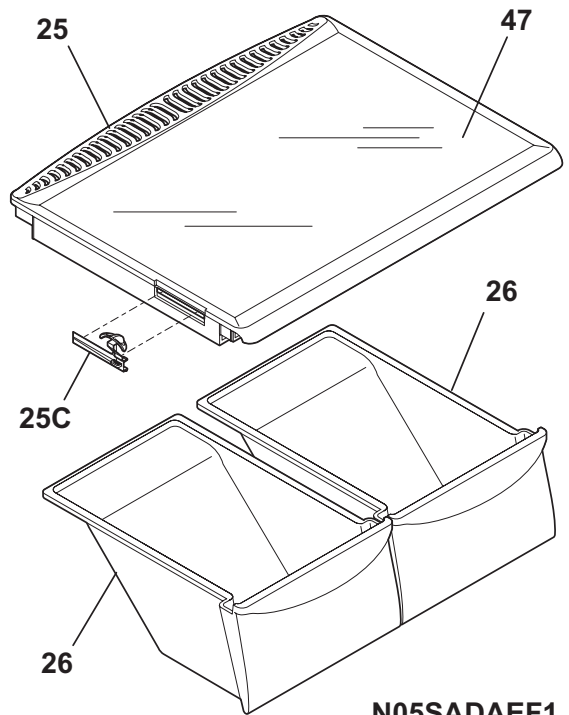
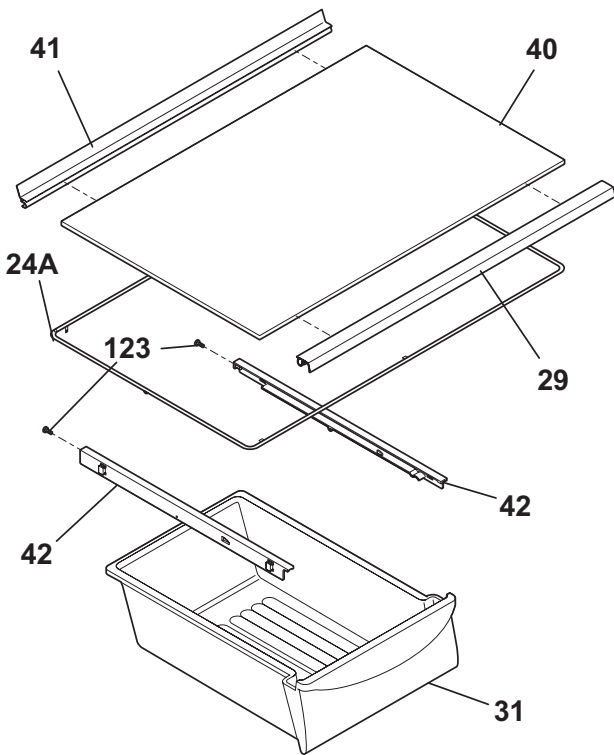
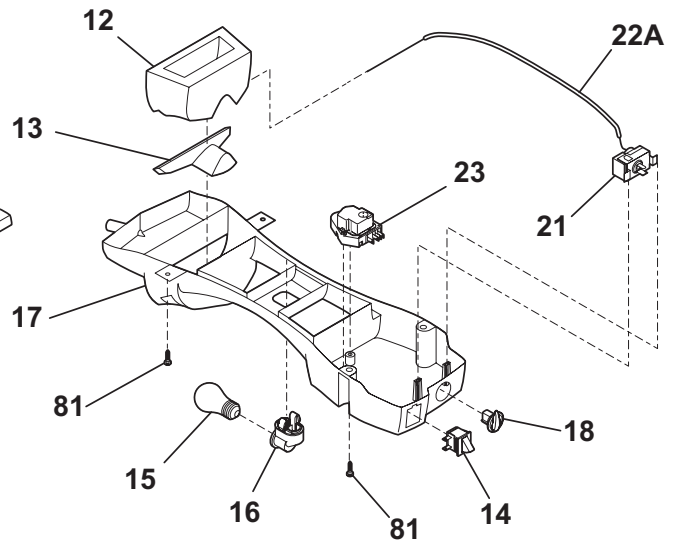
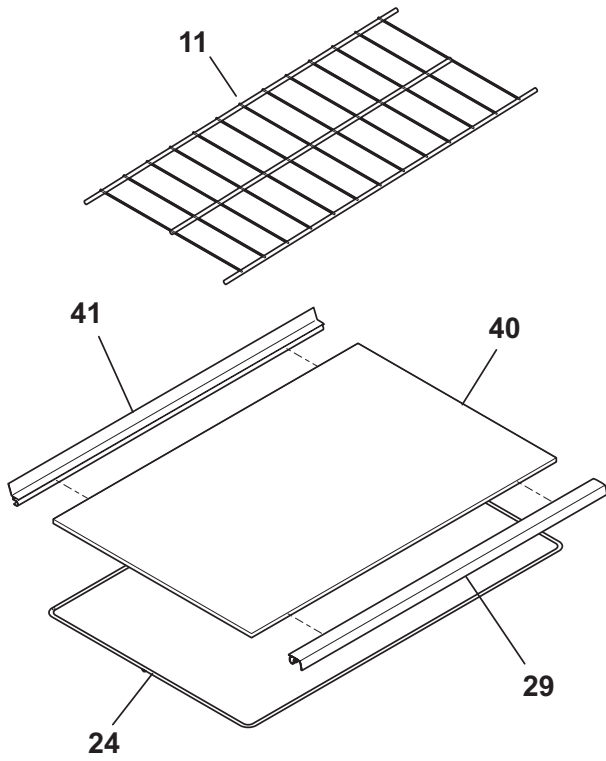
N05BBAABA19

CABINET

Model Index: A FRT18G6J (FRT18G6JB0)
 B FRT18G6J (FRT18G6JQ0)
 C FRT18G6J (FRT18G6JW0)

POS. NO	PART NO.		DESCRIPTION
81	5304455650	A B C	Screw, hex washer head, 8-15A x 0.625, low profile
82	5304418225	A B C	Roller, compressor base, rear, (2)
83	5304455655	A B C	Rivet, flat head, 1/4 OD x 1-3/4, roller pin
92	241710601	A B C	Screw, hex washer hd, 1/4 x 7/8, hinge mtg
*	240479601	A B C	Plug, button, cab liner holes
*	5303321321	A - -	Paint, touch-up, black
*	5304414035	- B -	Paint, touch-up, bisque
*	5303321319	- - C	Paint, touch-up, white

SHELVES



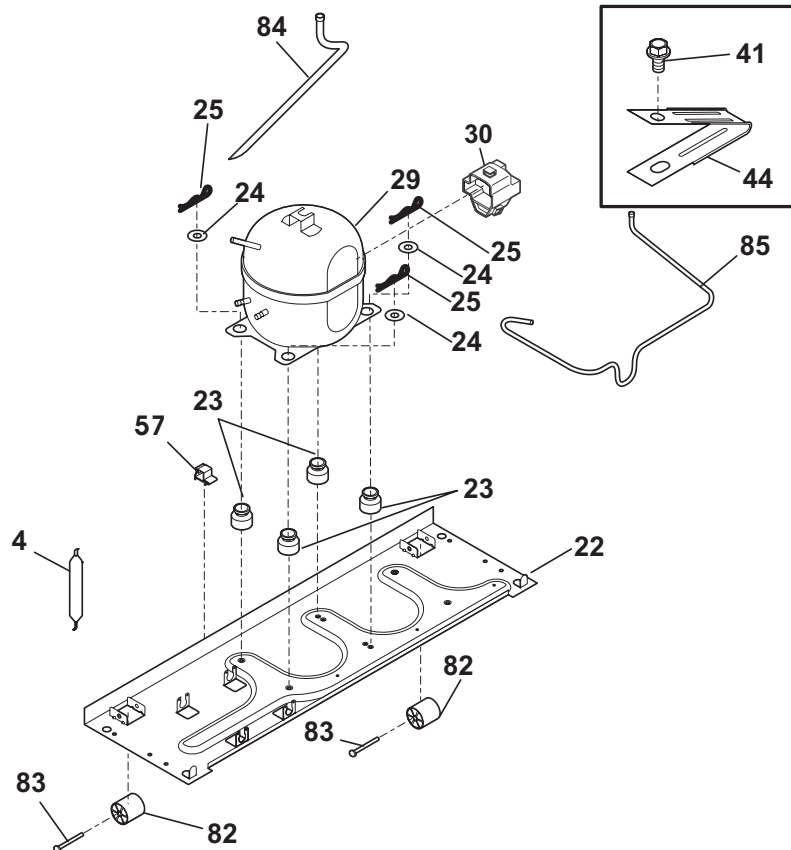
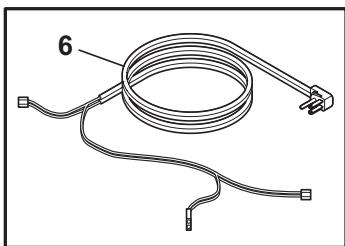
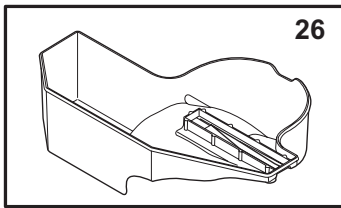
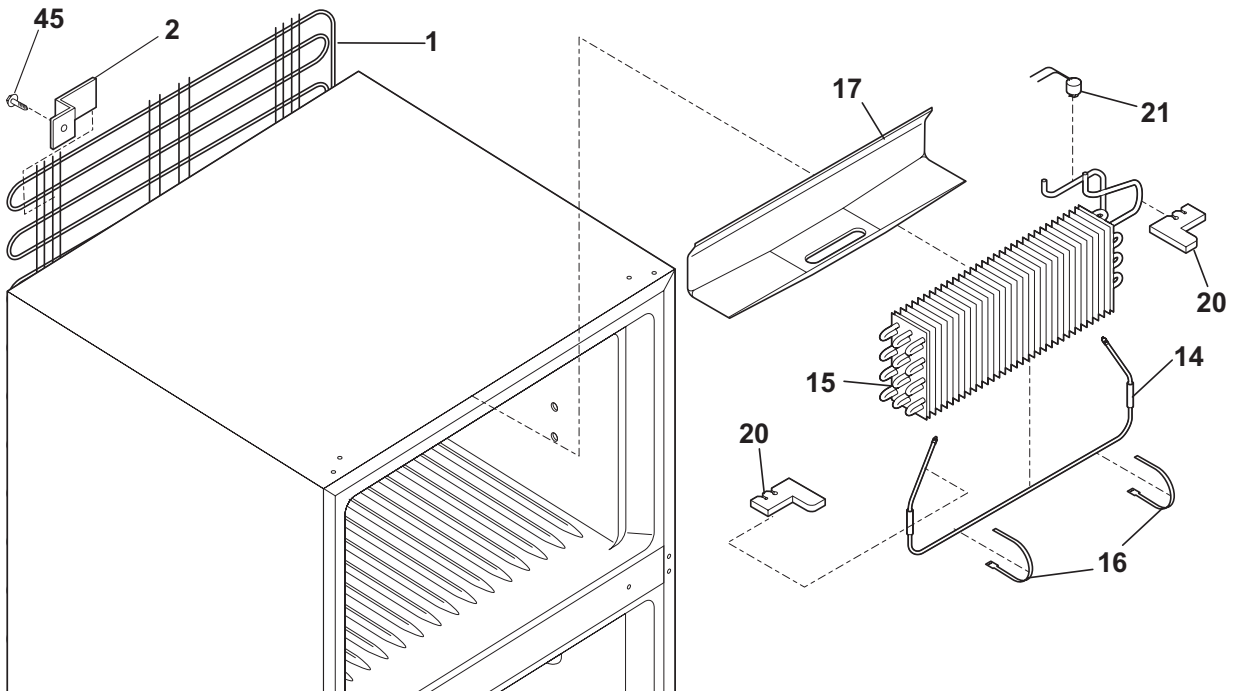
N05SADAEF1

SHELVES

Model Index: A FRT18G6J (FRT18G6JB0)
 B FRT18G6J (FRT18G6JQ0)
 C FRT18G6J (FRT18G6JW0)

POS. NO	PART NO.		DESCRIPTION
11	240358005	A B C	Shelf, freezer, full-width, wire
12	241542001	A B C	Diffuser, air, top
13	240362601	A B C	Diffuser, air, bottom
14	241554901	A B C	Switch-light/lamp
15	241555401	A B C	Light Bulb
16	241559801	A B C	Socket-light
17	240352701	A B C	Control Box
17*	240568607	A B C	Seal
17*#	240388701	A B C	Wiring Harness, control box
18	240360801	A B C	Knob, temp control
21 #	5304421256	A B C	Control, temperature
22A	240468201	A B C	Tube, sensor sleeve, 31 inch, plastic, white
23 #	241621501	A B C	Timer-defrost
23*	5304455649	A B C	Screw-timer mtg, pan hd, 6-20 x 0.438, (2)
24	240372409	A B C	Frame, sliding shelf, full width
24A	240372410	A B C	Frame, sliding shelf, full width, w/hanger tabs
25	240364713	A B C	Cover-crisper pan, with beam, humid cont
25C	241613502	A B C	Control-humidity, LH
26	240337103	A B C	Pan-crisper, clear, (2), no graphics
29	240357704	A B C	Trim-shelf, front
31	240530811	A B C	Pan-meat, w/o graphics, clear
40	240350620	A B C	Glass-shelf, 23.78" x 16.34"
41	240561502	A B C	Trim-shelf, rear
42	240530601	A B C	Track, meat pan hanger, LH
42	240530701	A B C	Track, meat pan hanger, RH
47	240350608	A B C	Insert-pan cover, 23.82" x 15.50", glass
81	5304455650	A B C	Screw, hex washer head, 8-15A x 0.625, low profile
123	215005101	A B C	Screw, hanger/rlr mtg, 8-10 x 7/16
*	241613774	A - -	Energy Guide
*	241613772	- B C	Energy Guide

SYSTEM



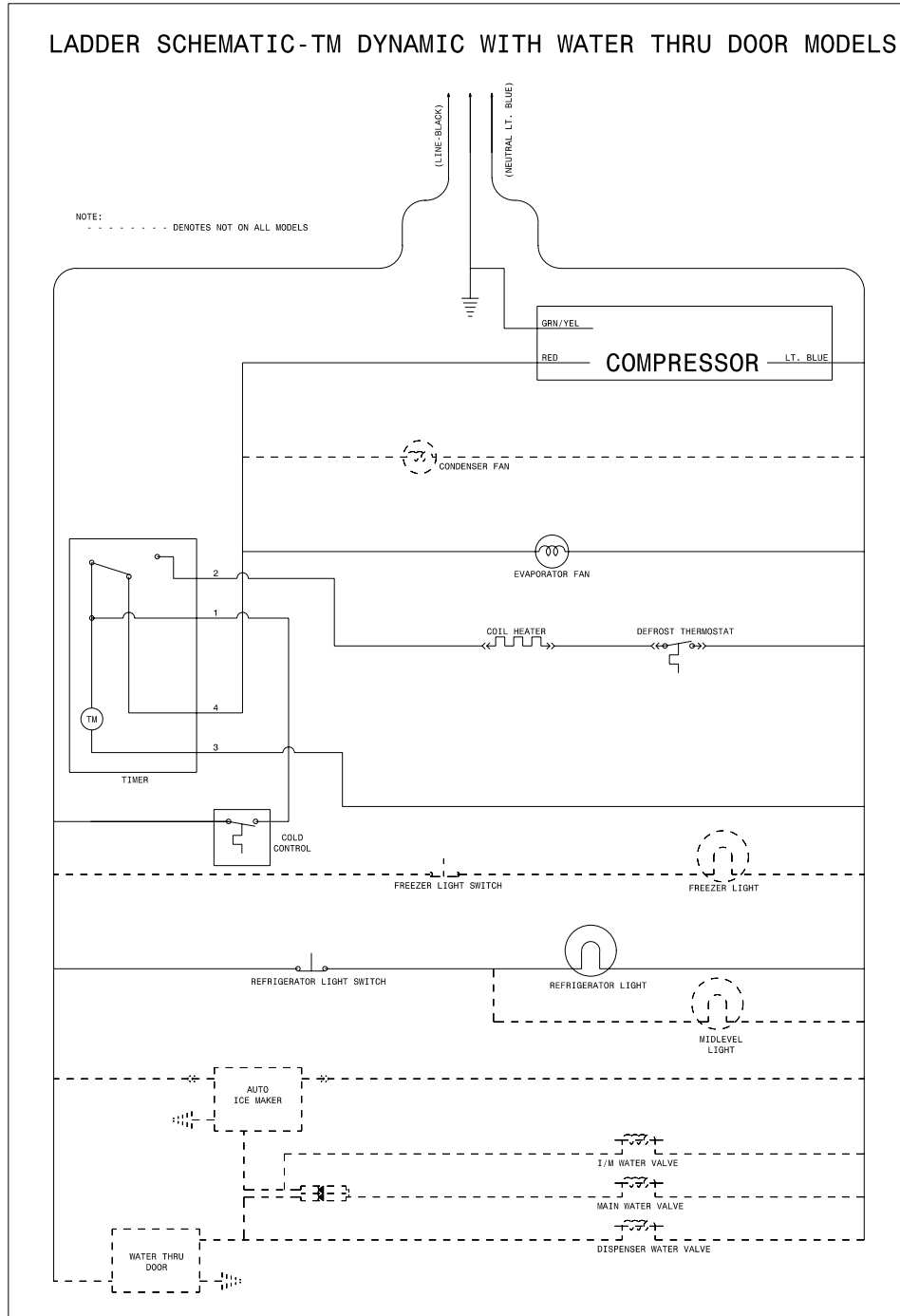
N05CBBBAC7

SYSTEM

Model Index: A FRT18G6J (FRT18G6JB0)
 B FRT18G6J (FRT18G6JQ0)
 C FRT18G6J (FRT18G6JW0)

POS. NO	PART NO.		DESCRIPTION
1 #	241861901	A B C	Condenser, static
1*	240405201	A B C	Grommet, rubber, black, cond tube/wire
1*	5303208866	A B C	Spacer, condenser tube, black
1*	5304406721	A B C	Spacer-cond tube, round, 5/8 OD x .81"lg
2	241658801	A B C	Bracket, condenser mtg
4	218944002	A B C	Drier-filter, R134a System
6	241678801	A B C	Harness-wiring, machine compt
6* #	240388701	A B C	Wiring Harness, control box
14 #	240356221	A B C	Heater-defrost
15 #	5303918274	A B C	Evaporator Kit
16	5308000110	A B C	Strap-evap/heater, aluminum, (2)
17	241801301	A B C	Trough-drain
20	241551902	A B C	Insulation Block
21 #	5303918202	A B C	Thermostat-defrost, kit
22	241665606	A B C	Base-compressor
22*	218252201	A B C	Screw, #8 truss hd, 10-32CA x 0.500
23	218513300	A B C	Grommet-compr mtg, (4)
24	241812301	A B C	Washer-compr mtg
25	216056401	A B C	Clip-compressor mtg
26	240598501	A B C	Pan-defrost drain
26*	5303307896	A B C	Thermal Mastic
29 #	5303918326	A B C	Compressor, w/electricals
30 #	241667501	A B C	Relay Combo
41	240433204	A B C	Screw, hex washer head, 8-18 x 5/16
44	5304456288	A B C	Clamp-wiring harness, strain relief, galv steel
45	5304455650	A B C	Screw, hex washer head, 8-15A x 0.625, low profile
45*	241500304	A B C	Screw, hex washer head, 8-18AB x 0.625
57	240542601	A B C	Clip-wiring harness
82	5304418225	A B C	Roller, compressor base, rear, (2)
83	5304455655	A B C	Rivet, flat head, 1/4 OD x 1-3/4, roller pin
84	241505701	A B C	Tube-drain, lower
85	241879801	A B C	Tube-connector, suction
*	240396801	A B C	Clamp, tube/wiring, nylon, black/natural
*	5303918263	A B C	Heat Exchanger Kit, suction line
*	5303918234	A B C	Hot Tube Repair Kit, service

WIRING SCHEMATIC



WIRING DIAGRAM

