

Frigidaire

Factory Parts Catalog

Product No.	GLGH1642FS1
Market	North America
Color	white
Volts	120
Wiring Diagram	134833100
Owner's Guide	134889000
Installation Instructions	134889400
Operating Instructions	134396400
Operating Instructions	134578800
Energy Guide	134815100

 **Electrolux**

Electrolux Major Appliances
North & Latin America
P.O. BOX 212378
AUGUSTA, GA 30917

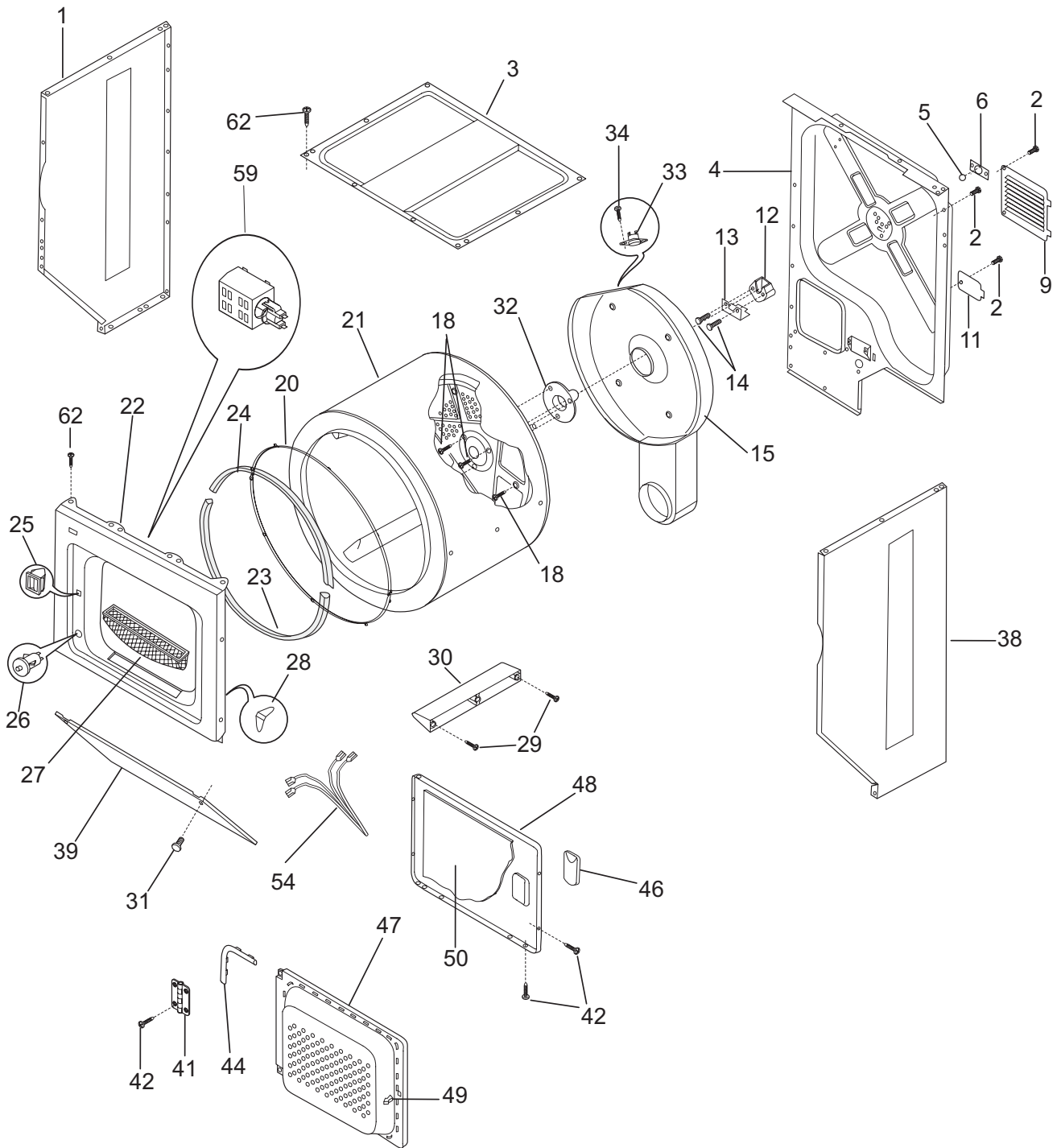
Publication No.
5995496238
07/07/30
(EN/SERVICE/WTC)
361

**FRONT-LOAD
LAUNDRY CENTER
WITH GAS DRYER**

Model No.
GLGH1642F

Copyright © 2007 Electrolux Home Products, Inc.
All rights reserved.

UPPER CABINET/DRUM HEATER

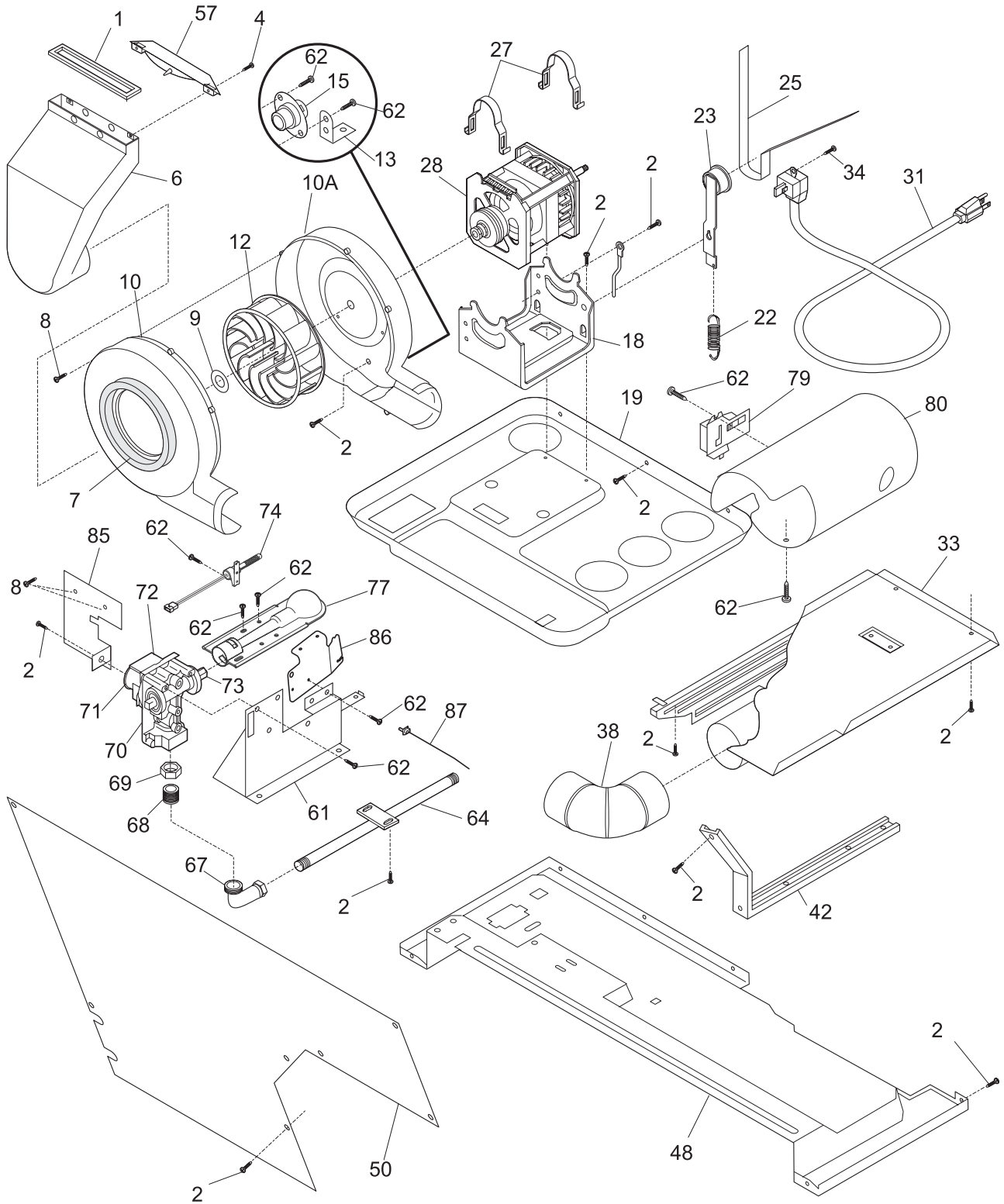


P17U0053

UPPER CABINET/DRUM HEATER

POS. NO	PART NO.	DESCRIPTION
1	131084710	Panel, white, left side
2	131168200	Screw, pan head, 8-18B x 0.31
3	131883301	Panel, top
4	134799902	Panel, rear, steel, galvanized
5	5303281019	Ball, grounding
6	5303281020	Clip, ball, steel, flat nut
9	3204249	Panel, motor access, rear
11	5303207395	Cover, terminal block
12	131825900	Bearing, drum support
13	131724300	Bracket, bearing support
14	131205400	Screw, bracket mtg., 10-16B x 1.375, cr/sq drive
15	131776500	Housing, heater, w/duct
18	131477000	Screw, 10-16AB x 0.375
20	131963900	Glide, drum
21	134122552	Drum, dryer, stainless steel, service kit
22	131636280	Panel, front, white, w/lamp hole
23	134134700	Seal, felt, lower
24	134036400	Seal, felt, upper
25	131658800	Door Catch, upper
26 #	131843101	Switch, door, rectangle, with drum light
27	131359600	Lint Trap
28	134440000	Clip, guide
29	131382300	Screw, quadrex head, 10-14 x 1.00, vane mtg., special
30	5304405283	Vane, straight, gray
31	131202300	Screw, 10-16AB x 0.625
32	131777700	Shaft, drum support, ballhitch
33 #	5304406099	Thermostat, safety
34	131243800	Screw, pan hd locking, 8-32CA x 0.375, cup point
38	131084810	Panel, white, right side
39	131084402	Panel, access, white, front
41	134222900	Hinge, dryer door
42	134156200	Screw, flat head, 8-18AB x 0.44, quad drive
44	131129900	Gasket, door seal
46	131789400	Handle, door, white
47	134406203	Panel, inner door, white
48	131789303	Panel, outer door, white
49	5303211430	Door Strike
50	134535300	Insulator, heat shield, outer door
54 #	134403200	Wiring Harness, door switch, with light
59 #	131843500	Lamp Assy, drum light, w/mtg bracket
62	131258400	Screw, 10-16AB x 0.500

MOTOR/BLOWER/BELT

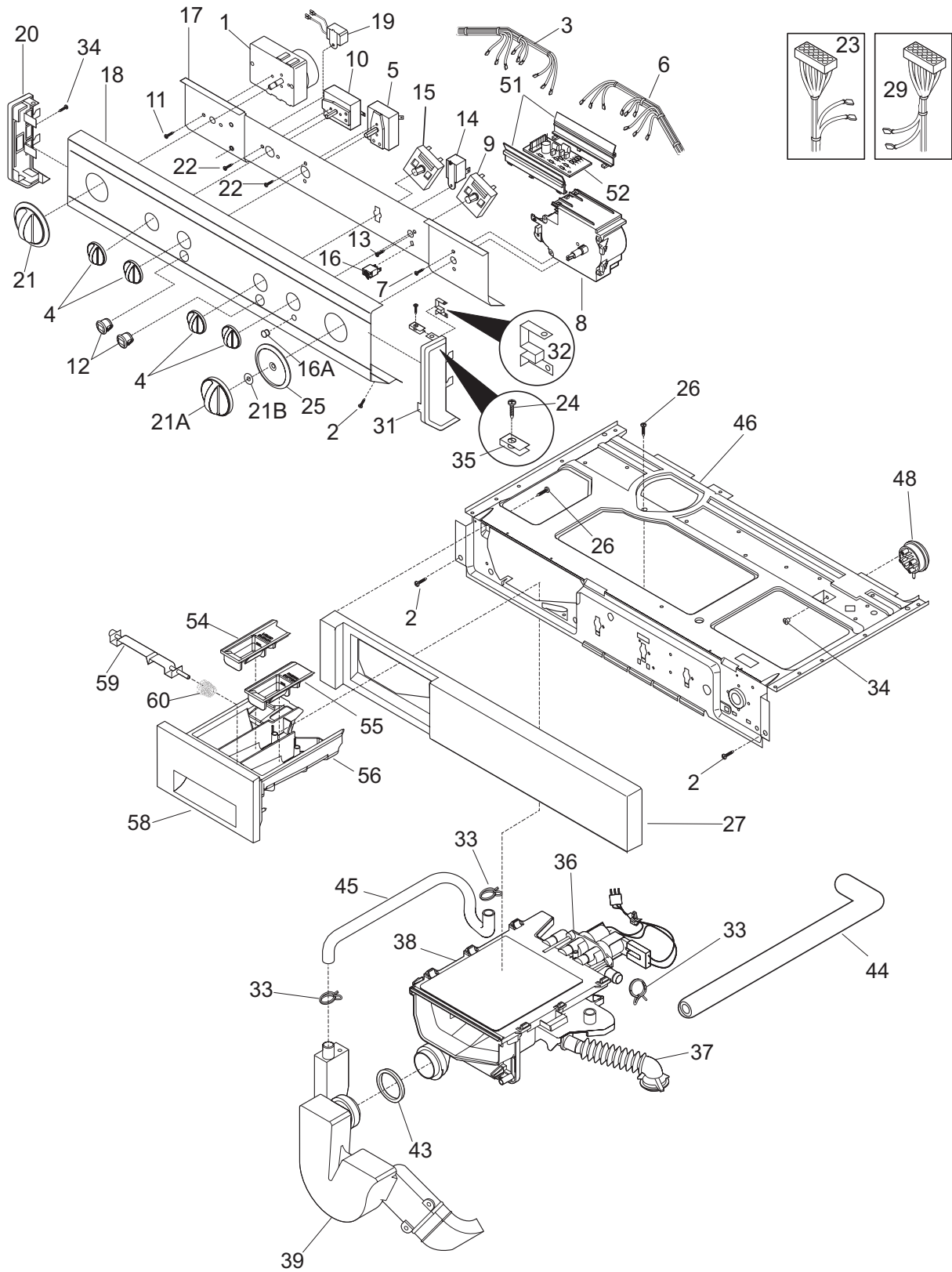


P17B0057

MOTOR/BLOWER/BELT

POS. NO	PART NO.	DESCRIPTION
1	131295200	Seal, air duct
2	131168200	Screw, pan head, 8-18B x 0.31
4	131477000	Screw, 10-16AB x 0.375
6	134086300	Duct, air
7	3204490	Seal, housing, to air duct
8	3205245	Screw, pan head, 6-18AB x 0.60
9	5303304824	Clamp
10	134611700	Housing, blower, front, with seal
10A	134608200	Housing, blower, rear
12	131476300	Blower Wheel
13	134608400	Ground Strap, thermostat
15 #	134721400	Thermostat, temp control
18	131413600	Cradle, motor mount, with idler stud
19	134613501	Panel, motor cradle mt, upper
22	3205241	Spring, idler
23	131863100	Idler Arm Assy, with pulley
25 #	134503900	Belt, dryer drive
27	134242400	Clamp, motor mtg.
28 #	134196600	Motor, dryer drive, with pulley
31 #	134500500	Power Cord, electric svce
33	131731410	Shield, access area, cover
34	134154100	Screw, hex washer head, 10-32 x 0.375, ground
38	3204320	Elbow, exhaust duct
42	5304439185	Bracket, marriage, interior
48	131731310	Panel, dryer, bottom rear
50	3204329	Cover, safety, lower front
57	131729300	Cover, moisture sensor
61	5303309493	Bracket, gas valve mtg
62	131243700	Screw, pan head, 8-18AB x 0.375
64	134145200	Pipe, gas
67 #	134769400	Elbow, gas fitting
68 #	134185100	Tail Piece, coupling
69 #	5308015194	Union, hex nut
70 #	5303207409	Valve, gas
71 #	5300622602	Solenoid, secondary coil
72 #	5308015680	Solenoid, booster coil
73 #	5303211036	Orifice, natural gas, size 44
74 #	134393700	Igniter Assy
77 #	134197700	Burner, gas
79 #	5303281135	Sensor, radiant
80 #	131712401	Tube, burner
85	134287300	Shield, heat
86	134264800	Plate, adapter
87	131964400	Cable Tie, push mount, 5.20 inch
* #	134391000	LP Conversion Kit, natural to LP

CONTROL PANEL

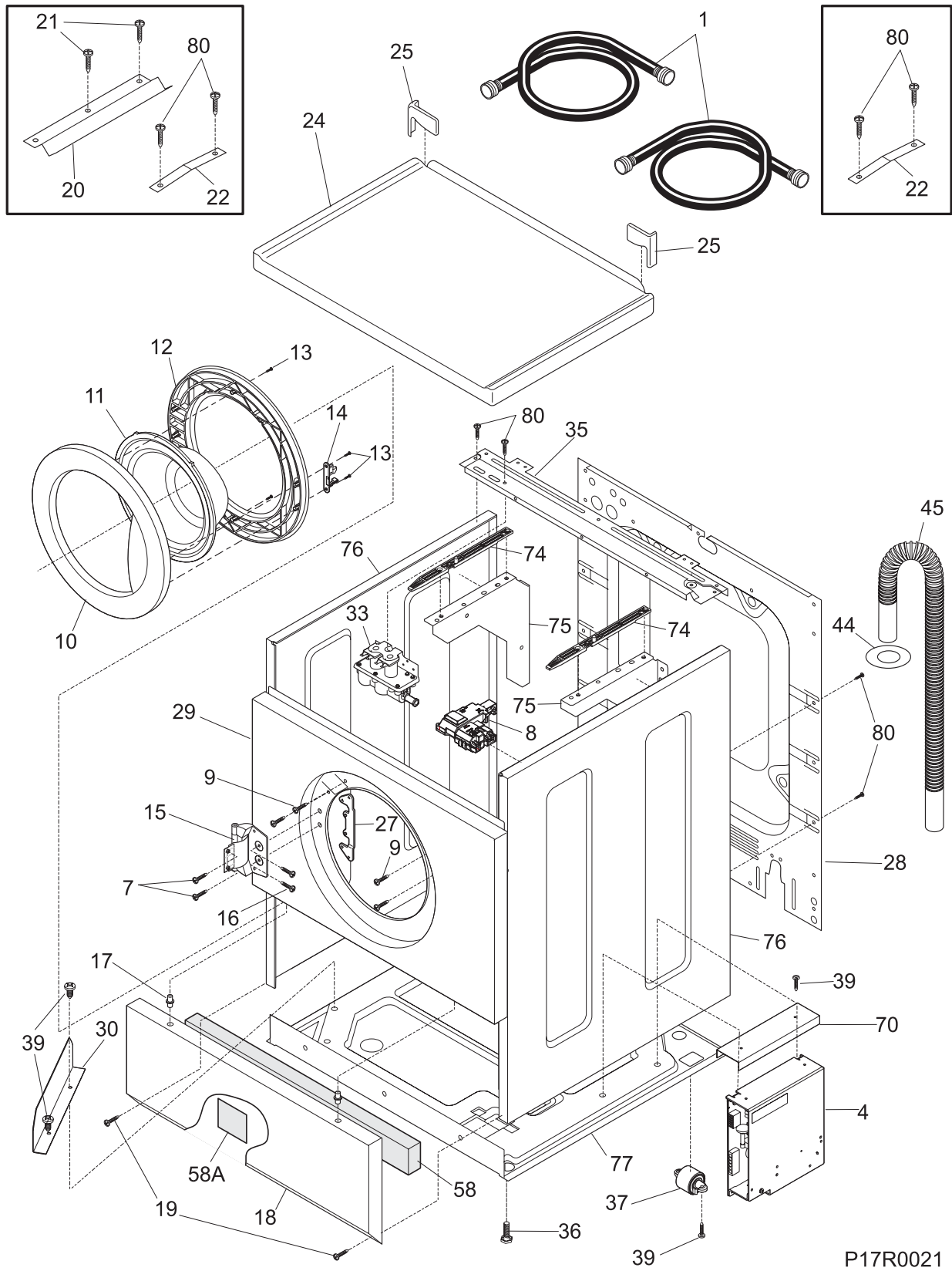


P17C0080

CONTROL PANEL

POS. NO	PART NO.	DESCRIPTION
1 #	131960800	Timer, dryer, 4 off
2	131168200	Screw, pan head, 8-18B x 0.31
3 #	134136800	Wiring Harness, dryer control
4	131873401	Knob, rotary, white
5 #	134399901	Switch, dryer temp, LCD
6 #	134392000	Wiring Harness, washer control
7	131243800	Screw, pan hd locking, 8-32CA x 0.375, cup point
8 #	134803600	Timer, washer
9 #	134400000	Switch, rotary, 2 position
10 #	134399700	Switch, start, LCD
11	5303283289	Screw, cr pan head, 8-32 x 0.250, thread forming
12 #	134040800	Switch, on/off, white, round
13	131311700	Screw, pan head quad, 8-32 x 0.15
14 #	131724500	Buzzer
15 #	134437700	Switch, water temp, 4 position
16 #	131724700	Lamp, status light
16A	131724800	Lens, status light, clear
17	134263400	Bracket, control mount
18	134321500	Panel, trimplate, console front
19 #	5303286537	Buzzer
20	131288101	End Cap, white, LH
21	131873301	Knob, dryer timer, white
21A	131167601	Knob, washer timer, white
21B	5308015493	Spacer, washer, timer shaft
22	3161259	Screw, switch mtg, 6-32 x 0.19, (2), sems
23	134605700	Wiring Harness, main
24	134156200	Screw, flat head, 8-18AB x 0.44, quad drive
25	131167701	Indicator, timer pointer, white/blue, washer
26	131823400	Screw, 8-18 x 2.00
27	131870600	Panel, disp drawer mt.
29 #	134571400	Wiring Harness, main, washer
29*	5303161300	Strap, plastic
31	131288211	End Cap, white, RH
32	3204357	Clip, grounding
33	131306216	Clamp
34	131243700	Screw, pan head, 8-18AB x 0.375
35	5308014350	Clip, end cap mtg, U-type
36 #	131974700	Valve, dispenser, w/seal
37	131271600	Hose, tub
38 #	131803710	Dispenser Assy
39	131863300	Siphon
39*	131307900	Clamp, siphon/bellows
43	131749200	Gasket, seal
44	131786000	Hose, dispenser
45	131786100	Hose, siphon/valve
46	134191412	Panel, control mtg., wing bend
48 #	134818201	Switch, pressure, single level
51	134426400	Bracket, pc board mount, (2)
52 #	134216300	Control Board, moisture sensor
54	131272100	Cover, bleach
55	131272000	Cover, softener
56	131271910	Drawer, dispenser
58	131729500	Handle, dispenser, with trim
59	131714900	Latch, drawer handle, white
60	131427500	Spring
*	131931201	Dampener, vibration, 3.5 x 2 x 2 in., foam

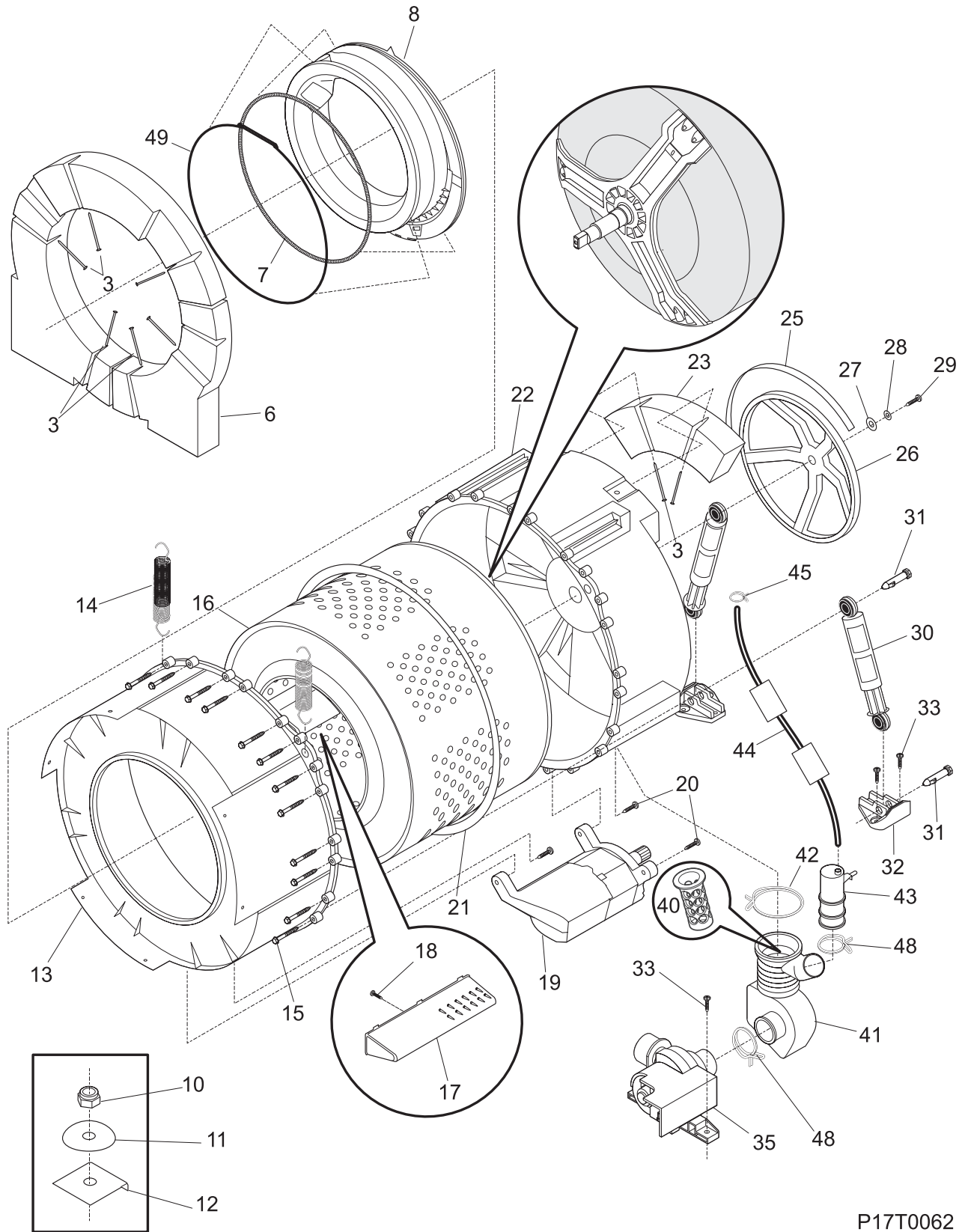
LOWER CABINET/TOP



LOWER CABINET/TOP

POS. NO	PART NO.	DESCRIPTION
1	5303271009	Hose, inlet, 48 inch long
1*	5303161296	Washer, inlet hose
4 #	134149220	Controller Assy, speed, w/base & shield
7	131205300	Screw, 10-16 x 0.750
8 #	131763245	Door Lock/Switch Assy
9	131303300	Screw, pan head, 10-16AB x 0.500, locking
10	134224600	Frame, outer door
11	131278800	Panel, door glass
12	134195900	Frame, inner door
13	134227100	Screw, flat head, 10-16 x 0.600, quadrex
14	131763310	Striker, door/lock/sw
15	134202200	Hinge, door
16	131696300	Screw, quad pan head, 10-16 x 0.312
17	131346400	Pin, panel locator
18	131279300	Panel, service, white, front
19	131358400	Screw, hex washer hd, 8-18AB x 1.125
20	131460900	Bracket, top panel mtg., front
21	131243700	Screw, pan head, 8-18AB x 0.375
22	131279500	Retainer, spring steel
24	134086862	Panel, white, top
25	134381900	Trim, filler, white, LS-top panel
25	134381910	Trim, filler, white, RS-top panel
27	134193300	Bracket, hinge support
28	134896900	Panel, back
29	131752040	Panel, cabinet front, white
30	131859600	Shield, overflow
33 #	134211400	Valve, water, 115 V
35	134897001	Bracket, reinforcement, top rear
36	134548800	Leveling Leg, screw, plastic
37	131304200	Roller Assy
39	134178901	Screw, 8-18AB x 0.455
44	131707800	Ring, drain hose
45 #	134592700	Hose, drain
58	131800410	Insulation, noise absorber
58A	131744202	Damper, vibration
70	134048600	Shield, drip protector
74	134301300	Spacer, dryer mtg, RS
74	134301310	Spacer, dryer mtg, LS
75	134301400	Brace, side, (2)
76	134390701	Panel, side, white, RS/LS, (2)
77	134773000	Base Plate
80	134547800	Screw, 10-16AB x 0.375

MOTOR/TUB

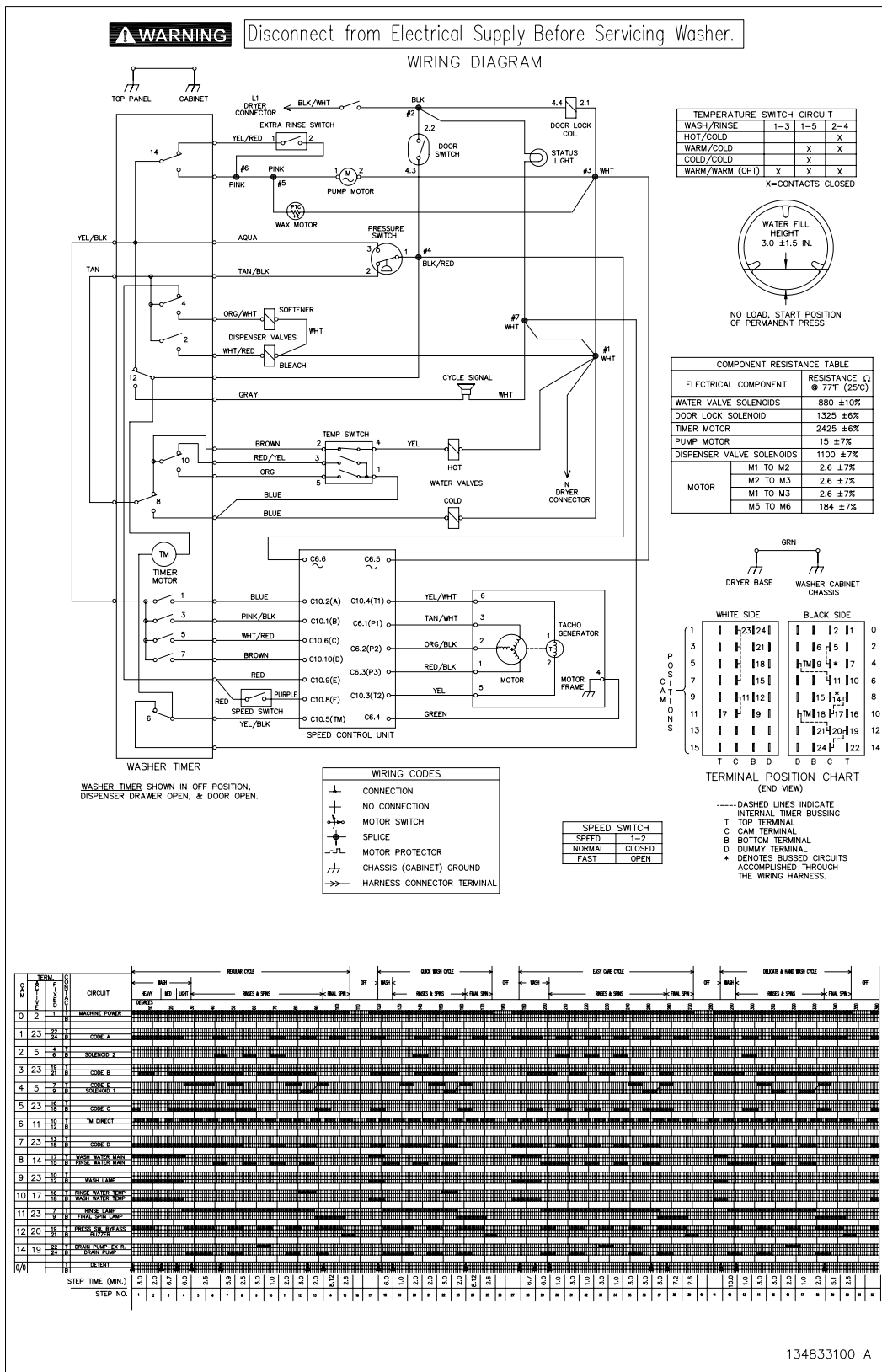


P17T0062

MOTOR/TUB

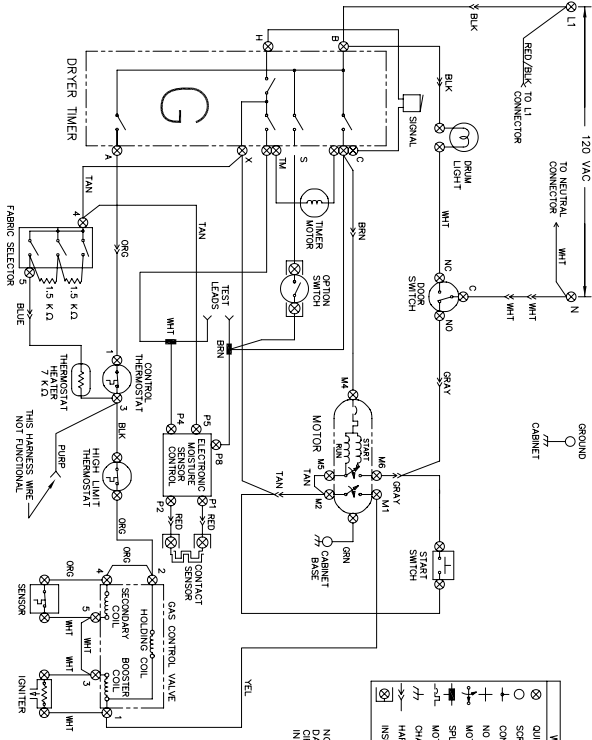
POS. NO	PART NO.	DESCRIPTION
3	131793302	Bolt, carriage, 1/4-20 x 4.00
6	131975300	Counterweight, one piece
7	131277300	Spring, boot retainer
8	134177600	Bellows, door boot
10	131304700	Nut, hex, 1/4-20 UNC-2B, (2)
11	131276900	Washer, Bellville, spring steel
12	131793500	Plate, counterweight
13	131618600	Shell, outer tub, front
14	134144700	Spring Assy, suspension, w/sleeves
14*	131560000	Sleeve, protector, lwr spring hook
14*	131592200	Sleeve, protector, upr spring hook
15	131303900	Screw, hex washer head, 1/4-10A x 2.165
16	131618500	Drum Assy, spin basket
17	131274600	Vane
18	131302800	Screw, 10-16AB x 0.375
19 #	134869400	Motor
20	131303500	Screw, 12-14AB x 1.50, motor mtg.
21	134146100	O-ring, tub
22	131462800	Shell, outer tub, rear, with bearing
23	134125900	Counterweight, drum rear
25	134051000	Belt, drive, 6-rib
26	131883400	Pulley, drum drive, large, rear
27	131304400	Washer, 0.41 x 1.50, 0.12 thick
28	131304500	Washer, lock, 3/8
29	131303700	Screw, pulley mtg., m10 x 0.92, metric
30	131268200	Shock Absorber, air, stabilizer
31	131268300	Pin, shock mtg.
32	131268100	Bracket, shock mtg.
33	134532200	Screw, 10-16AB x 0.500
35 #	134740800	Pump, drain
40	134885800	Filter, pump
41	134044200	Hose, coin trap, tub-to-pump
42	134737300	Clamp, hose
43	131277500	Chamber, air
44	131789900	Tube Assy, air pressure, w/air chamber
45	131306202	Clamp, hose
48	131306234	Clamp, hose, wire
49	134266500	Clamp, bellows/boot, 0.059 OD wire, spring held
*	134815100	Energy Guide

WIRING DIAGRAM



WIRING DIAGRAM

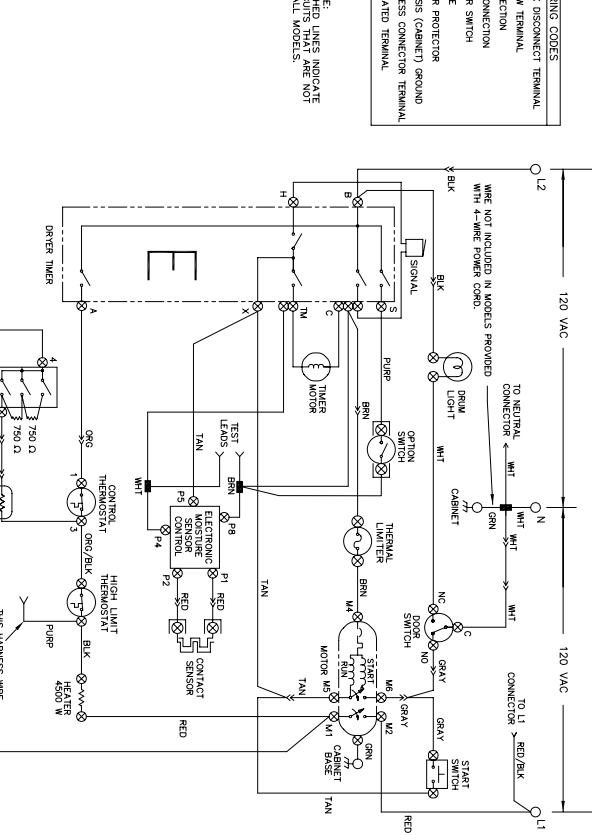
CAUTION: DISCONNECT ELECTRIC CURRENT BEFORE SERVICING. LABEL ALL WIRES PRIOR TO DISCONNECTION WHEN SERVICING CONTROLS.
 WIRING ERRORS CAN CAUSE IMPROPER AND DANGEROUS OPERATION. VERIFY PROPER OPERATION AFTER SERVICING.



FABRIC SELECTOR SWITCH-GAS MODELS

POSITION	FUNCTION	RESISTANCE Ω
1	HIGH	3.1K ±5%
2	MEDIUM	1.5K ±5%
3	MEDIUM/LOW	1.5K ±5%
4	LOW	10 MAX

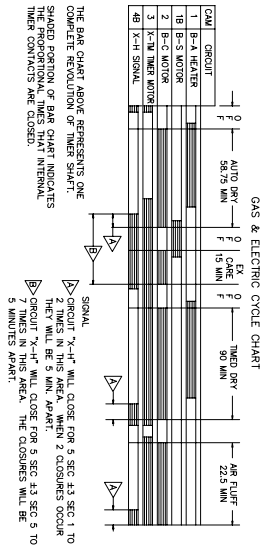
- NOTES: GAS MODELS
 1. ALL WIRING MUST CONFORM TO LOCAL ELECTRICAL CODES.
 2. CONNECT DRYER TO 15 AMP INDIVIDUAL BRANCH CIRCUIT.
 3. DRYER TIMERS SHOWN IN OFF POSITION. THERMOSTAT CLOSED, AND FABRIC SELECTOR SWITCH AT HIGH HEAT.



FABRIC SELECTOR SWITCH-ELEC MODELS

POSITION	FUNCTION	RESISTANCE Ω
1	HIGH	750 ±5%
2	MEDIUM	750 ±5%
3	MEDIUM/LOW	750 ±5%
4	LOW	10 MAX

- NOTES: ELEC MODELS
 1. ALL WIRING MUST CONFORM TO LOCAL ELECTRICAL CODES.
 2. CONNECT DRYER TO 30 AMP INDIVIDUAL BRANCH CIRCUIT.
 3. DRYER TIMERS SHOWN IN OFF POSITION. THERMOSTAT CLOSED, AND FABRIC SELECTOR SWITCH AT HIGH HEAT.



THE BAR CHART ABOVE REPRESENTS ONE COMPLETE REVOLUTION OF BAR CHART INDICATES THE PROPORTIONAL TIMES THAT INTERNAL TIMER CONTACTS ARE CLOSED.

WIRING DIAGRAM 134833100 A