

Frigidaire

Factory Parts Catalog

Product No.	FGF368GBA	FGF368GQA	FGF368GSA
Series	30" f/s gas	30" f/s gas	30" f/s gas
Color	black	bisque	white
Market	North America	North America	North America
Owner's Guide	316417121	316417121	316417121
Installation Instructions	316259336	316259336	316259336
Service Data Sheet	316441736	316441736	316441736

 **Electrolux**

Electrolux Major Appliances
North & Latin America
P.O. BOX 212378
AUGUSTA, GA 30917

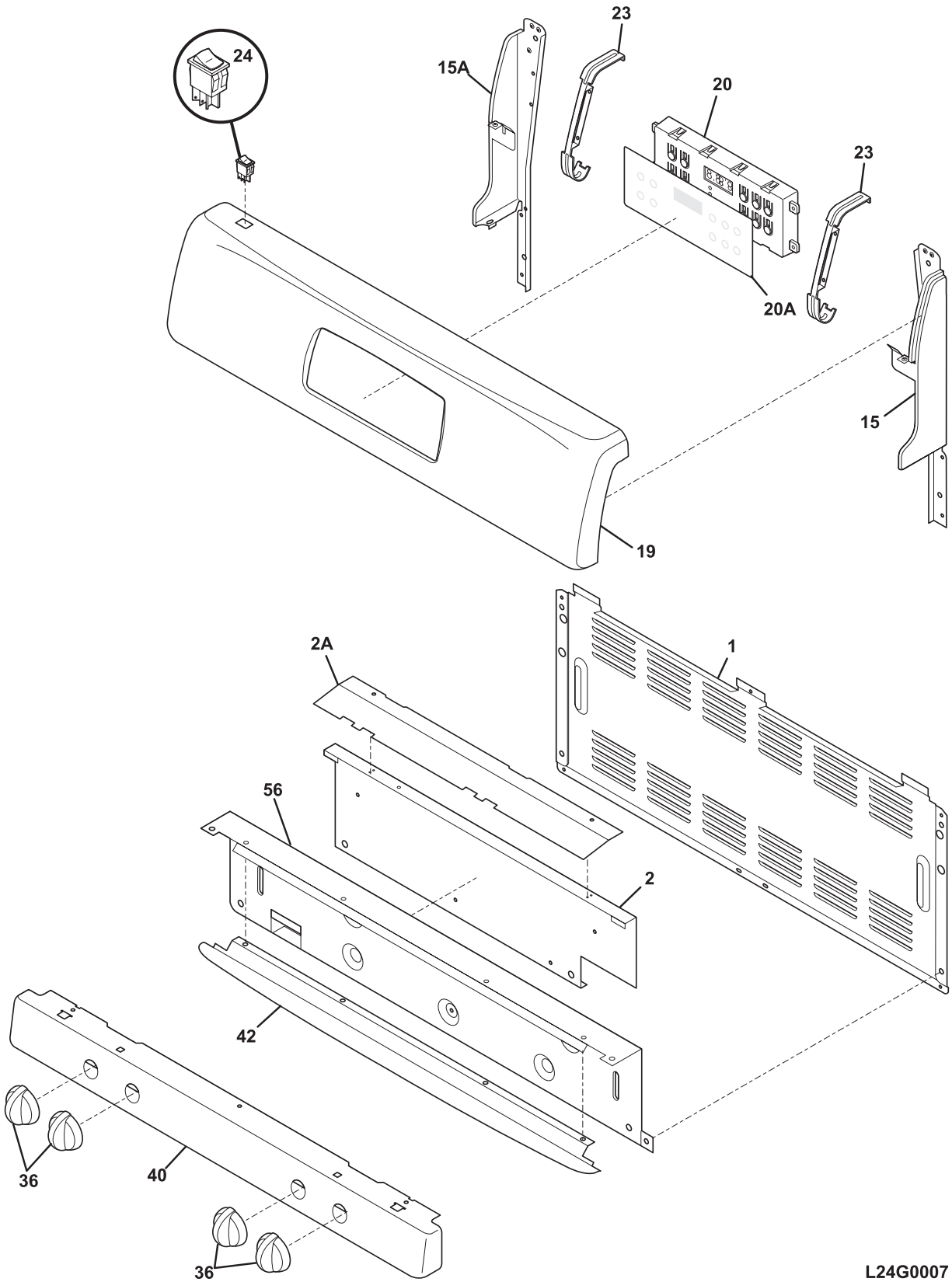
Publication No.
5995488110
07/04/04
(EN/SERVICE/ECL)
369

**30-INCH FREE-
STANDING GAS
RANGE**

Model No.
FGF368G

Copyright © 2007 Electrolux Home Products, Inc.
All rights reserved.

BACKGUARD



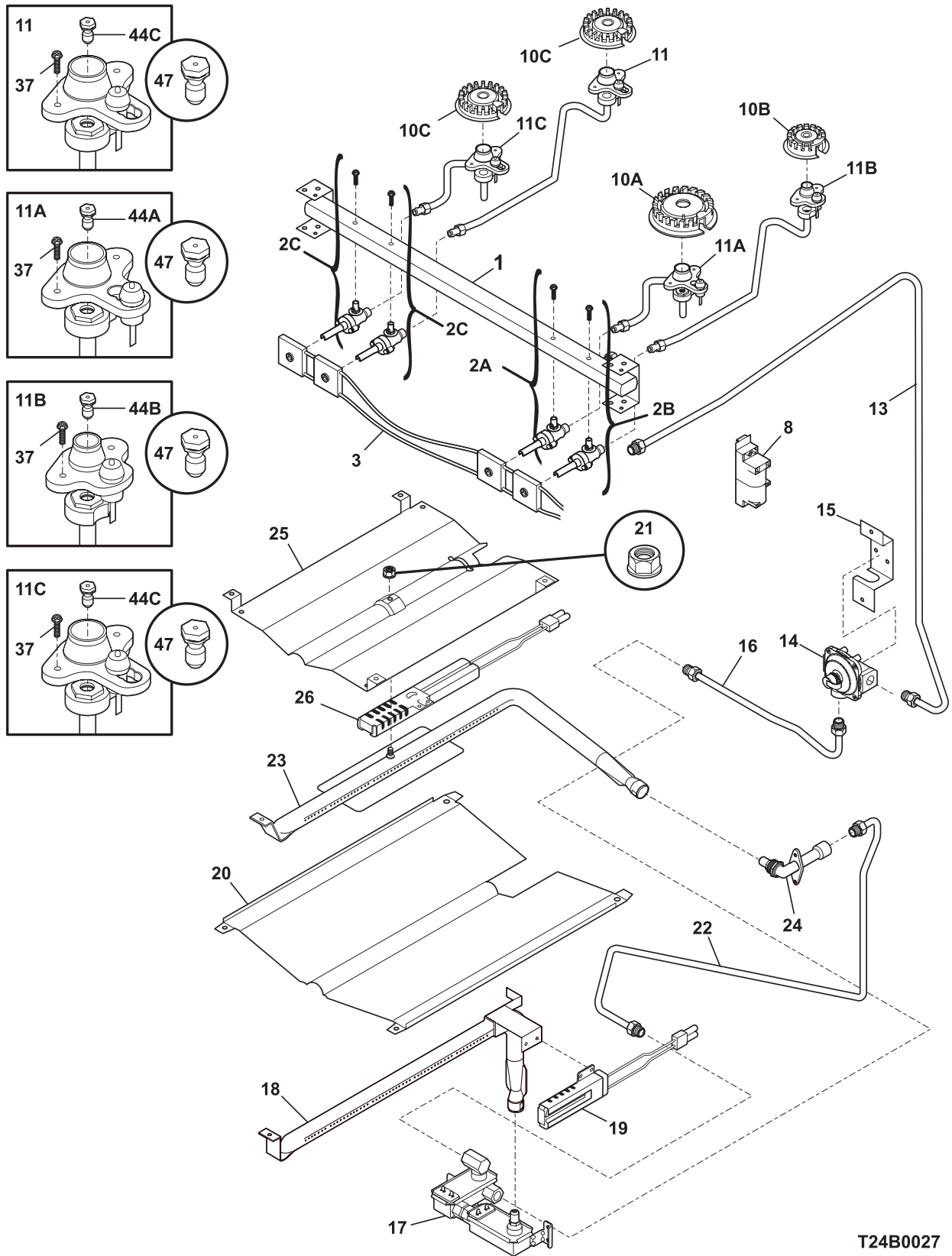
L24G0007

BACKGUARD

Model Index: A FGF368G (FGF368GSA)
 B FGF368G (FGF368GQA)
 C FGF368G (FGF368GBA)

POS. NO	PART NO.		DESCRIPTION
1	316416100	A B C	Shield, backguard, rear wall
2	316051600	A B C	Shield, backguard, inner
2A	316235100	A B C	Shield, top, inner
15	316411403	A - -	Support, backguard, white, RH
15	316411407	- B -	Support, backguard, bisque, RH
15	316411405	- - C	Support, backguard, black, RH
15A	316411402	A - -	Support, backguard, white, LH
15A	316411406	- B -	Support, backguard, bisque, LH
15A	316411404	- - C	Support, backguard, black, LH
19	316445222	A - -	Panel-backguard, white
19	316445223	- B -	Panel-backguard, bisque
19	316445221	- - C	Panel-backguard, black
20 #	316418201	A B C	Clock/Timer, electronic, ES300
20A	316419104	A - -	Overlay, clock, white, ES300
20A	316419105	- B -	Overlay, clock, bisque, ES300
20A	316419103	- - C	Overlay, clock, black, ES300
23	316441600	A B C	Bracket-clock mtg, black
24 #	316448701	A - -	Switch, rocker, white, oven light
24 #	316448702	- B -	Switch, rocker, bisque, oven light
24 #	316448700	- - C	Switch, rocker, black, oven light
36	316220000	A - -	Knob, top valve, white, (4)
36	316220003	- B -	Knob, top valve, bisque, (4)
36	316220002	- - C	Knob, top valve, black, 4
40	316489003	A - -	Panel-manifold, white
40	316489008	- B -	Panel-manifold, bisque
40	316489004	- - C	Panel-manifold, black
42	316416201	A - -	Trim, extrusion, gray
42	316416202	- B -	Trim, extrusion, tan
42	316416200	- - C	Trim, extrusion, black
56	316230701	A B C	Shield, backguard, inner
*	316021105	A B C	Screw, hex head cup pt, 8-18 x 0.375, black
*	316021108	A B C	Screw, cup pt, 8-18 x 0.375, chrome
*	316021109	A B C	Screw, 8-18 x 0.5, chrome
*	316021110	A B C	Screw, 8-18 x 0.5, black

BURNER



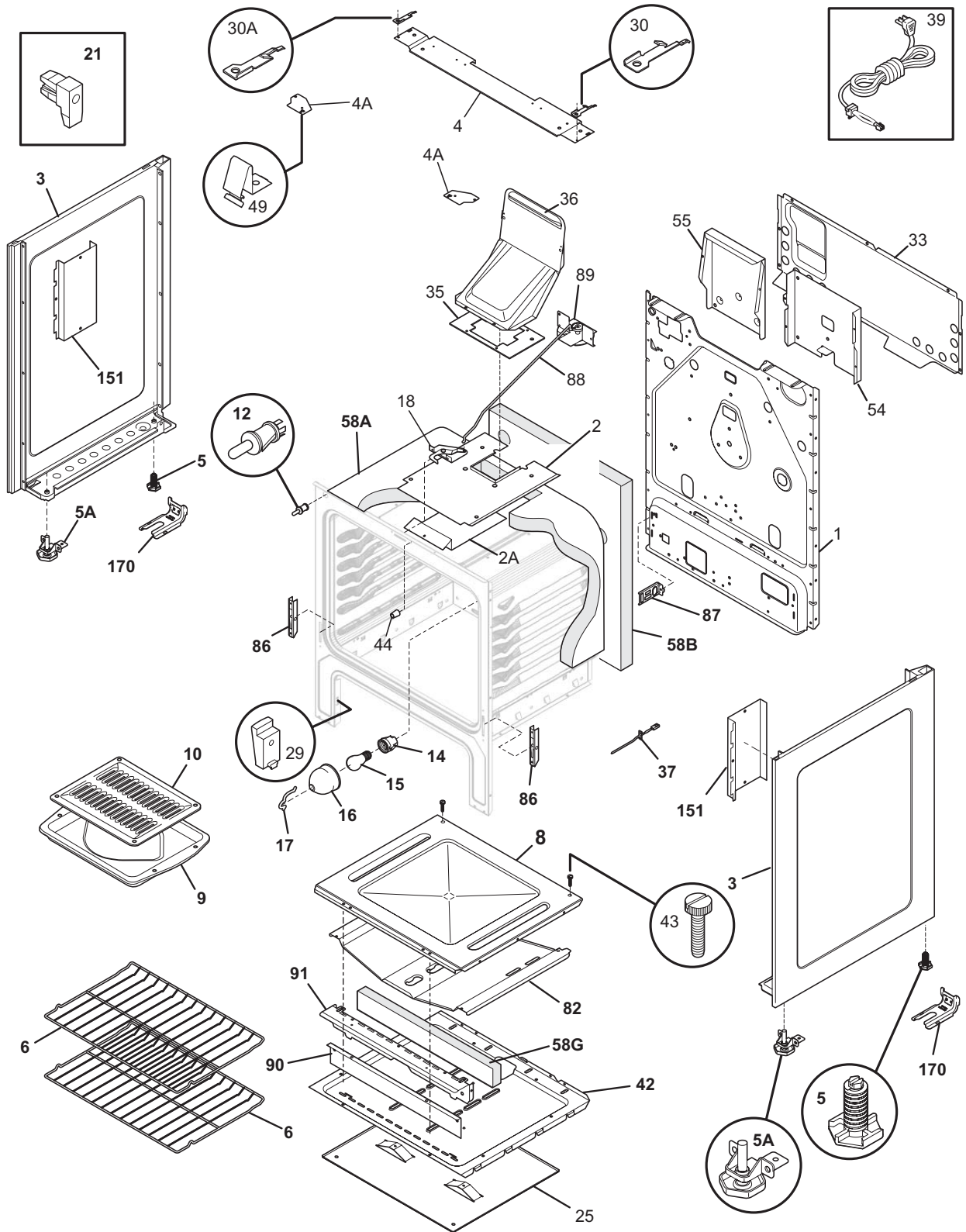
T24B0027

BURNER

Model Index: A FGF368G (FGF368GSA)
 B FGF368G (FGF368GQA)
 C FGF368G (FGF368GBA)

POS. NO	PART NO.		DESCRIPTION
1 #	316446800	A B C	Manifold Pipe
2A #	5303935236	A B C	Valve, 14K burner, w/mtg screw
2B #	5303935235	A B C	Valve, 5K burner, w/mtg screw
2C #	5303935234	A B C	Valve, 9.5K burner, w/mtg screw
*	316215600	A B C	Screw, valve mtg., 1/4 - 20
3 #	316219004	A B C	Wiring Harness, w/igntr switch
8 #	316135701	A B C	Module, spark
10A#	316223400	A B C	Burner, sealed, 14K
10B#	316206400	A B C	Burner, sealed, 5K
10C#	316212400	A B C	Burner, sealed, 9.5K
11 #	316237701	A B C	Ignitor/orifice assy., top burner, rear, 9.5K, w/holder, tube
11A#	316272000	A B C	Ignitor/orifice assy., top burner, front, 14K, w/holder, tube
11B#	316237700	A B C	Ignitor/orifice assy., top burner, rear, 5K, w/holder, tube
11C#	316237800	A B C	Ignitor/orifice assy., top burner, front, 9.5K, w/holder, tube
13 #	316489100	A B C	Tube, 3/8, aluminum, rgltr to manf, with fittings
14 #	316091706	A B C	Regulator, pressure
14*	316021104	A B C	Screw, hex, 8-18 x 3/8, nick, (3), regulator brkt
15	316091600	A B C	Bracket, regulator
16 #	316405500	A B C	Tube, valve to regul., 3/8
17 #	316404901	A B C	Valve, safety
17*	08068018	A B C	Shield, wire, safety valve
18 #	316404400	A B C	Burner, oven
19 #	316489400	A B C	Ignitor, oven burner
20	316401401	A B C	Baffle, oven burner
21	5303013272	A B C	Nut, hex head sems
22 #	316405401	A B C	Tube, valve to mixer
23 #	316404300	A B C	Burner, broiler
24 #	316409700	A B C	Elbow, mixer
25	316401301	A B C	Baffle, broil burner
26 #	316489401	A B C	Ignitor, burner
26*	316401500	A B C	Cover, broil Ignitor
37	316240600	A B C	Screw, assy mtg, ignitor/orifice
44A	316237900	A B C	Orifice, top burner, 14K
44B	316237903	A B C	Orifice, top burner, 5K
44C	316237902	A B C	Orifice, top burner, 9.5K
47	GRLP2	A B C	LP Conversion Kit, w/instructions
47*	316248105	A B C	Instructions, LP kit
* #	316253700	A B C	Wiring Harness, ignitor module
*	5303271648	A B C	Screw, wafer hd sq dr, 8-18AB x 0.5

BODY



NOTE: Oven Liner N/A
Ass. du four N/A

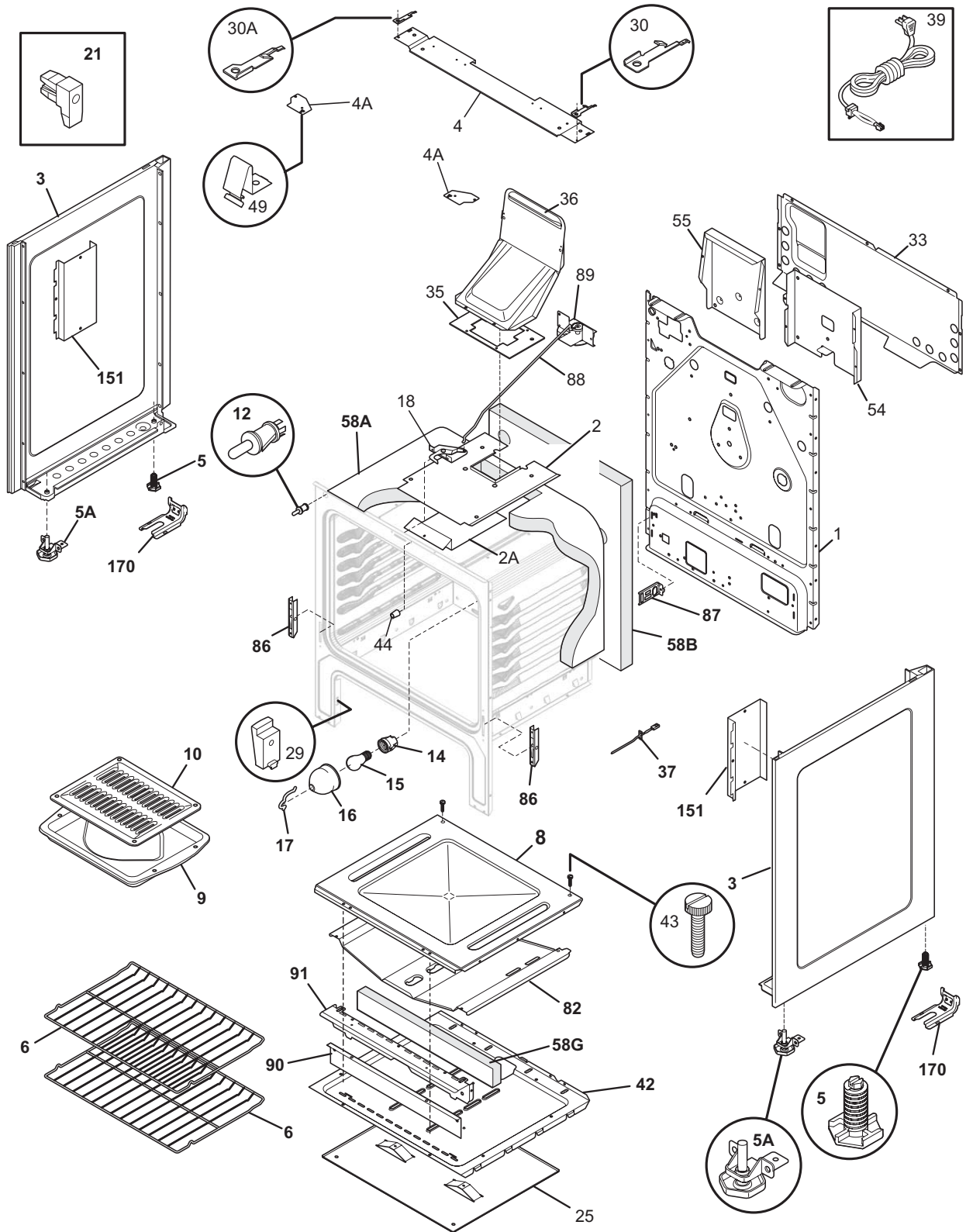
T24V0085

BODY

Model Index: A FGF368G (FGF368GSA)
 B FGF368G (FGF368GQA)
 C FGF368G (FGF368GBA)

POS. NO	PART NO.		DESCRIPTION
1	316401600	A B C	Back, main
2	316402201	A B C	Shield, oven top
2*	316437100	A B C	Brace, oven top
2A	316489200	A B C	Shield, heat
3	316400116	A - -	Panel, bodyside, white, RH
3	316400117	A - -	Panel, bodyside, white, LH
3	316400120	- B -	Panel, bodyside, bisque, RH
3	316400121	- B -	Panel, bodyside, bisque, LH
3	316400118	- - C	Panel, bodyside, black, RH
3	316400119	- - C	Panel, bodyside, black, LH
4	316447000	A B C	Bracket, chassis support, rear
4A	316446900	A B C	Bracket, chassis, front, (2)
5	316272900	A B C	Screw, leveling, plastic, rear, (2)
5A	316498900	A B C	Leveling Leg Assy, metal, front, (2), bracket & leg
6	316496202	A B C	Rack, oven, (2)
8	316400603	A B C	Panel, oven bottom
9	316081900	A B C	Pan, broilerOPTIONAL ACCESSORY
10	316082000	A B C	Insert, broiler panOPTIONAL ACCESSORY
12	316445501	A B C	Switch, oven light, door frame
14	316116400	A B C	Receptacle, oven light
15	5303013071	A B C	Bulb/Lamp, light
16	08011086	A B C	Lens, oven light, glass
17	316087500	A B C	Retainer, lens
18 #	316405800	A B C	Latch Assembly, oven door
21	316408000	A B C	Clip, bodyside
25	316406200	A B C	Shield, heat, lower
29	316407301	A B C	Glide, drawer, front
30	316217700	A B C	Bracket, hinge, RH, main top
30A	316217701	A B C	Bracket, hinge, LH, main top
33	316405900	A B C	Shield, rear wall
35	316116600	A B C	Gasket, flue
36	316208901	A B C	Flue
37 #	316490000	A B C	Probe, oven temp
39	3202006	A B C	Cord, electric power
42	316400703	A B C	Shield, wool, lower
43	3131732	A B C	Screw, 8-18 x 1.438, oven bottom
44	316246501	A B C	Spacer, oven door
49	316234200	A B C	Clip, maintop mtg, (2)
54	316404200	A B C	Shield, heat
55	316404800	A B C	Shield, flue
58A	316489800	A B C	Insulation, oven wrapper
58B	316403600	A B C	Insulation, oven back
58G	08067973	A B C	Insulation, main front
82	316400801	A B C	Shield, bake burner
86	316441300	A B C	Receptacle, hinge
86*	316418901	A B C	Screw, trilobe, 10-32 x 5/16"
87	316401200	A B C	Bracket, harness
88	316232700	A B C	Rod, auto latch

BODY



**NOTE: Oven Liner N/A
Ass. du four N/A**

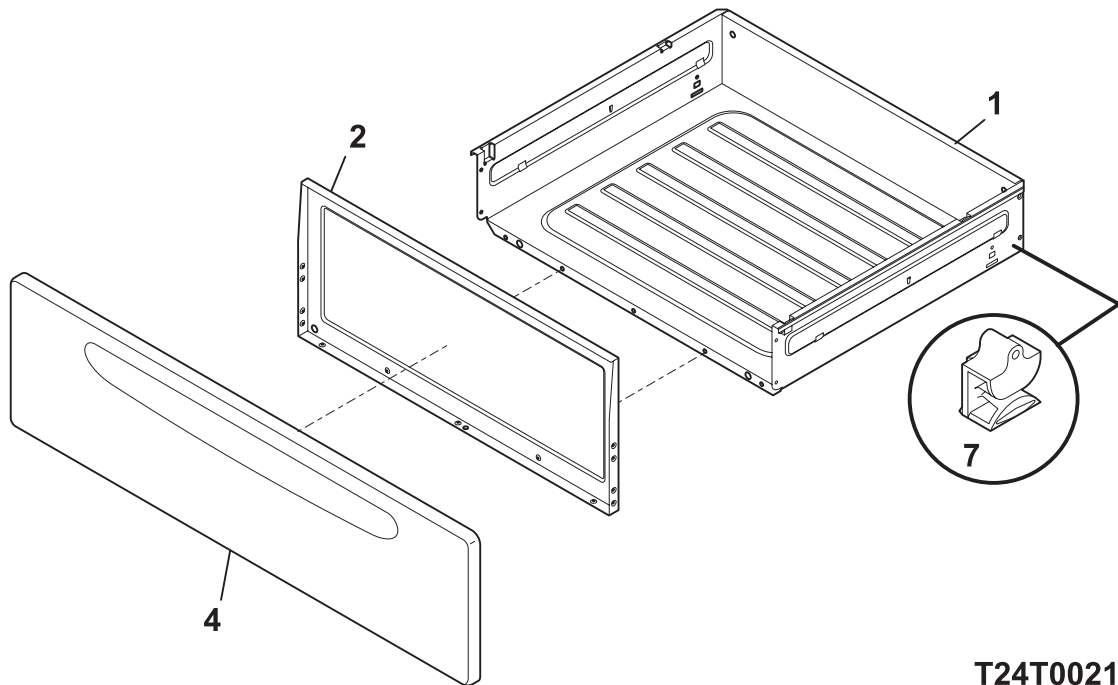
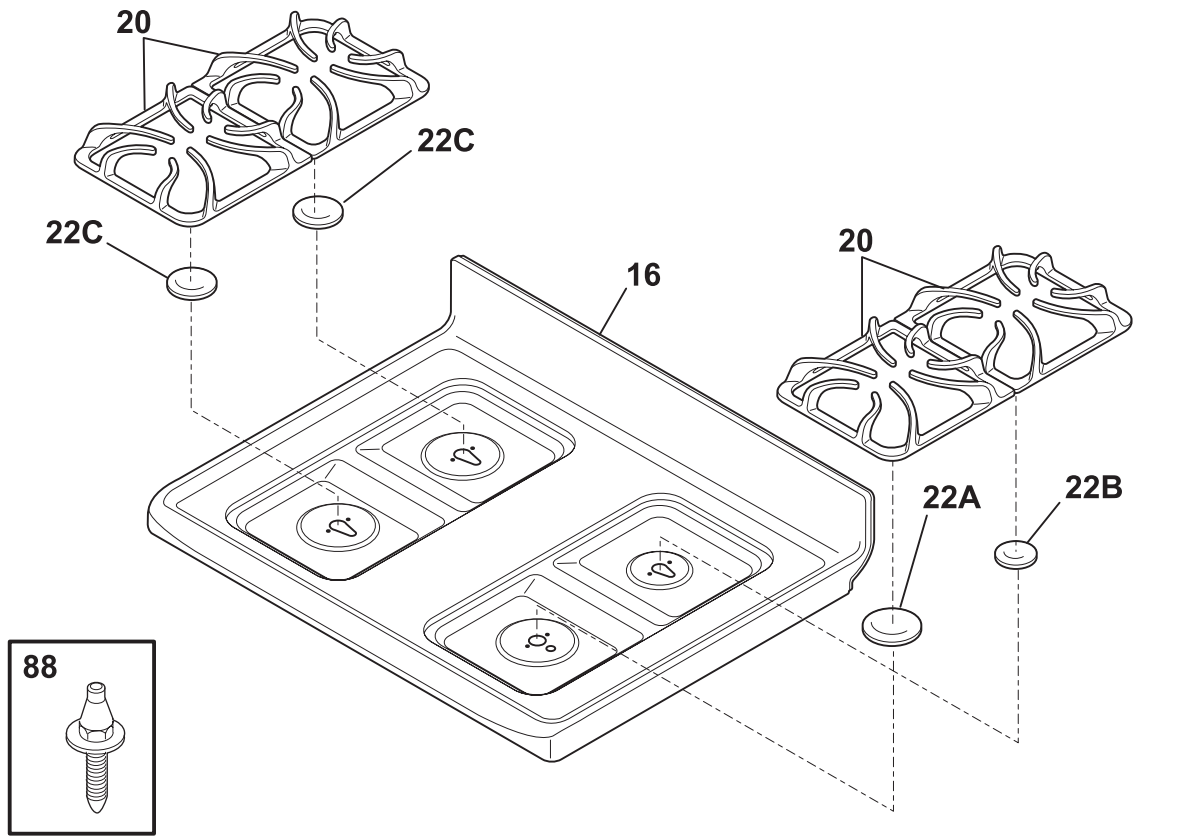
T24V0085

BODY

Model Index: A FGF368G (FGF368GSA)
 B FGF368G (FGF368GQA)
 C FGF368G (FGF368GBA)

POS. NO	PART NO.		DESCRIPTION
89 #	316415400	A B C	Motor, latch/lock
90	316401100	A B C	Shield, main front
91	316401000	A B C	Shield, front, burner
151	316404600	A B C	Shield, bodyside
170	5303935180	A B C	Anti-tip Kit, w/bracket, screw
170*	316107200	A B C	Bracket, anti-tip
170*	316112500	A B C	Template, anti-tip
170*	316116000	A B C	Screw, concrete, 1.75", anti-tip brkt
* #	316416641	A B C	Harness, wiring, main
*	316432800	A B C	Clip, wire
*	5303321319	A - -	Paint, touch-up, white
*	5304414035	- B -	Paint, touch-up, bisque
*	5303305345	- - C	Paint, touch-up, black
*	316021105	A B C	Screw, hex head cup pt, 8-18 x 0.375, black
*	316021108	A B C	Screw, cup pt, 8-18 x 0.375, chrome
*	316021110	A B C	Screw, 8-18 x 0.5, black
*	316089500	A B C	Screw, 10-16 x .486
*	5303271648	A B C	Screw, wafer hd sq dr, 8-18AB x 0.5
*	5303285179	A B C	Screw, wafer head, 8-32T x 0.500, black

TOP/DRAWER



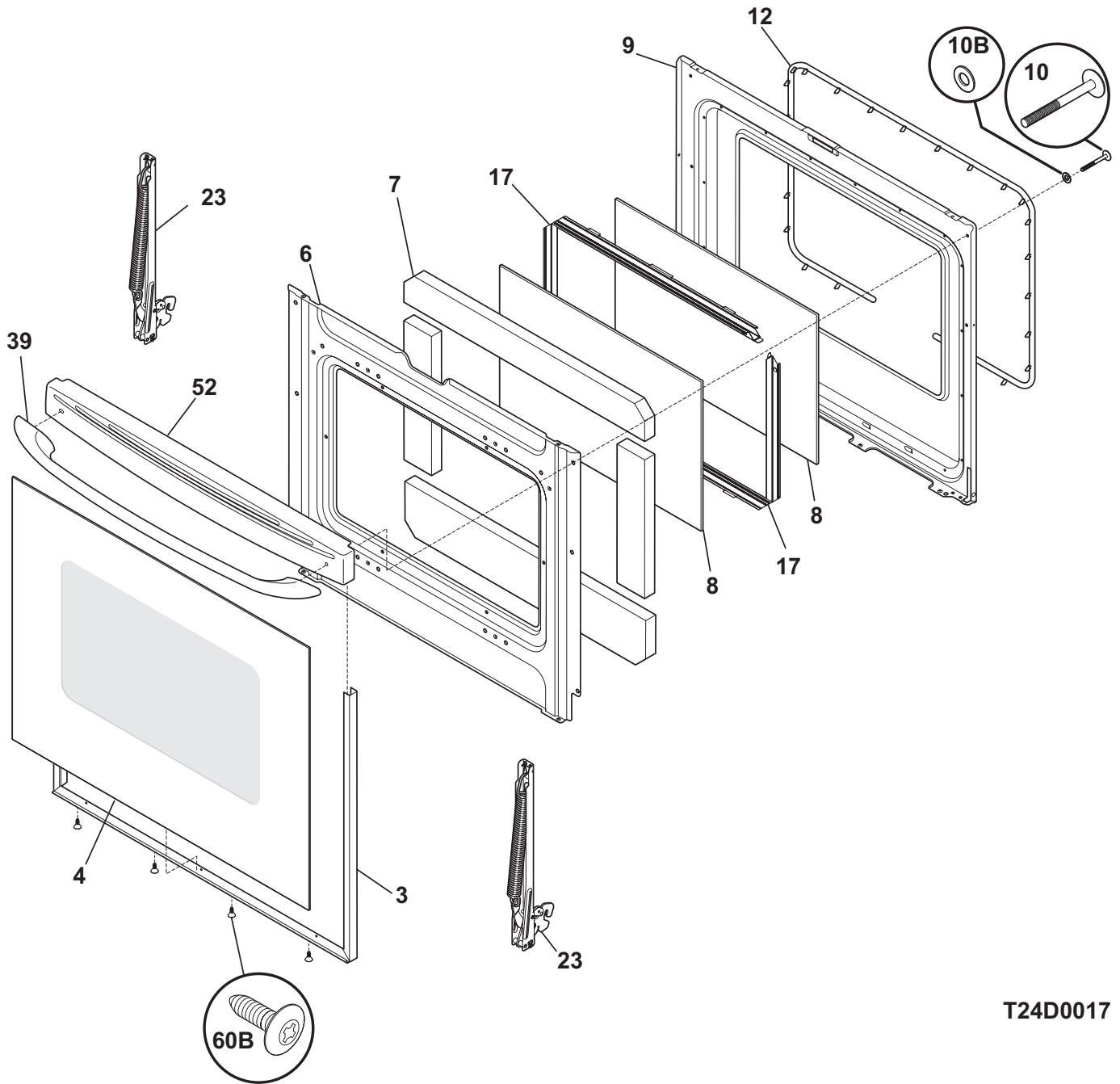
T24T0021

TOP/DRAWER

Model Index: A FGF368G (FGF368GSA)
 B FGF368G (FGF368GQA)
 C FGF368G (FGF368GBA)

POS. NO	PART NO.		DESCRIPTION
1	316408703	A B C	Drawer, utility
2	316403200	A B C	Liner, drawer
4	316403401	A - -	Panel, drawer, white, front
4	316403403	- B -	Panel, drawer, bisque, front
4	316403402	- - C	Panel, drawer, black, front
7	316407400	A B C	Glide, drawer, rear
16	316202350	A - -	Main Top, white
16	316202351	- B -	Main Top, bisque
16	316202349	- - C	Main Top, black
20	316202401	A - -	Grate, gray
20	316202403	- B -	Grate, brown
20	316202400	- - C	Grate, black
22A	316219901	A - -	Cap, 14K burner, grey
22A	316219904	- B -	Cap, 14K burner, brown
22A	316219900	- - C	Cap, 14K burner, black
22B	316206601	A - -	Cap, 5K burner, gray
22B	316206602	- B -	Cap, 5K burner, brown
22B	316206600	- - C	Cap, 5K burner, black
22C	316213501	A - -	Cap, 9.5K burner, gray
22C	316213503	- B -	Cap, 9.5K burner, brown
22C	316213500	- - C	Cap, 9.5K burner, black
88	316099500	A B C	Pin, guide, (2)
*	316021105	A B C	Screw, hex head cup pt, 8-18 x 0.375, black
*	316021108	A B C	Screw, cup pt, 8-18 x 0.375, chrome
*	316021109	A B C	Screw, 8-18 x 0.5, chrome
*	316021110	A B C	Screw, 8-18 x 0.5, black

DOOR



T24D0017

DOOR

Model Index: A FGF368G (FGF368GSA)
 B FGF368G (FGF368GQA)
 C FGF368G (FGF368GBA)

POS. NO	PART NO.		DESCRIPTION
3	316402001	A - -	Trim, oven door, white
3	316402003	- B -	Trim, oven door, bisque
3	316402002	- - C	Trim, oven door, black
4	316402600	A - -	Glass, door, white
4	316402602	- B -	Glass, door, bisque
4	316402601	- - C	Glass, door, black
6	316402307	A B C	Shield, wool
7	316403900	A B C	Insulation, oven door
8	316117500	A B C	Glass, oven door, heat barrier
9	316423801	A B C	Liner, oven door
10	316433300	A B C	Screw, 10-14 x 2.125", handle mtg.
10B	316008401	A B C	Washer, 3/4 OD x 1/4 ID, steel
12	316403101	A B C	Seal, oven door
17	316402403	A B C	Spacer, door glass, (2)
23	316456302	A B C	Hinge, oven door, red titan, (2)
23*	316418900	A B C	Screw, sims lp, #8-32 x 5/16", black
39	316270201	A - -	Handle, door, white
39	316270202	- B -	Handle, door, bisque
39	316270200	- - C	Handle, door, black
52	316468400	A - -	Cap, door trim, white
52	316468402	- B -	Cap, door trim, bisque
52	316468401	- - C	Cap, door trim, black
60B	316021110	A B C	Screw, 8-18 x 0.5, black
*	316433603	A B C	Label, anti-tip
*	316021109	A B C	Screw, 8-18 x 0.5, chrome
*	5303271648	A B C	Screw, wafer hd sq dr, 8-18AB x 0.5
*	5303285179	A B C	Screw, wafer head, 8-32T x 0.500, black