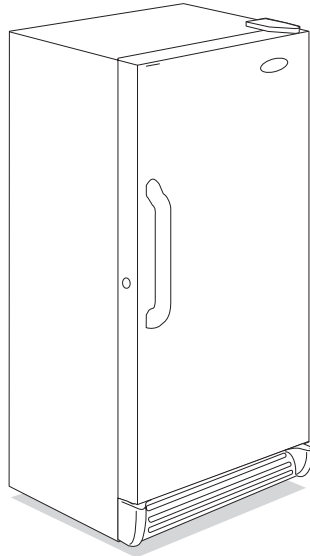


FACTORY PARTS CATALOG REFRIGERATOR

Frigidaire



PRODUCT NO.	BASE MODEL NO.	SERIES	COLOR	VOLTS
FRU17B2JW0	FRU17B2JW	134A	white	115
MARKET				
North America				

WIRING DIAGRAM - # 216758400
OWNER'S GUIDE - # 216770900
SERVICE DATA SHEET - #216758400

 **Electrolux**

ELECTROLUX HOME PRODUCTS NORTH AMERICA.
P.O.Box 212378, Augusta, GA 30917

Publication No.
5995344123
000929
-EN/SERVICE /GS
365

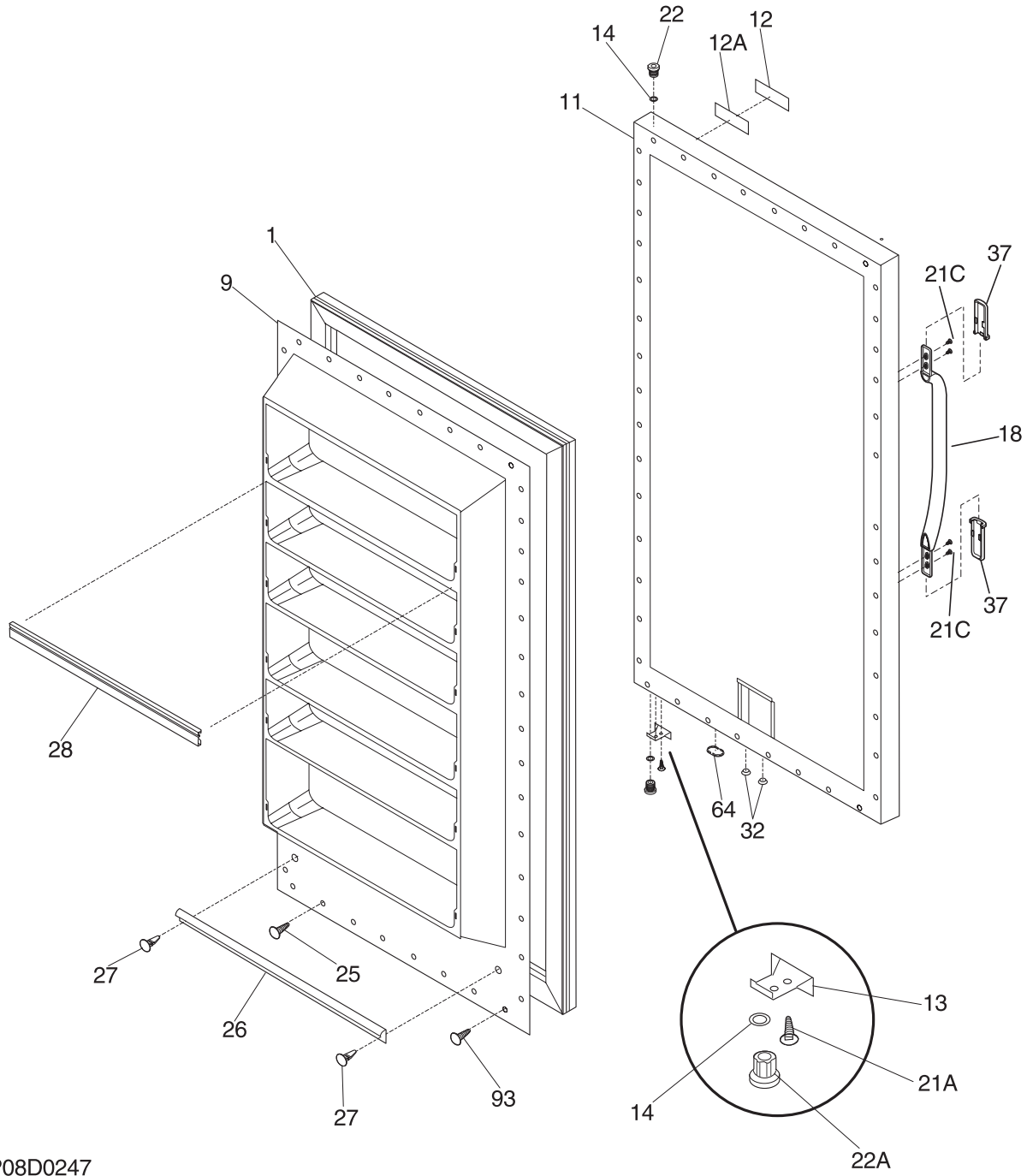
REFRIGERATOR

Model No.

FRU17B2J

©2000 White Consolidated Industries, Inc.
All rights reserved

DOOR

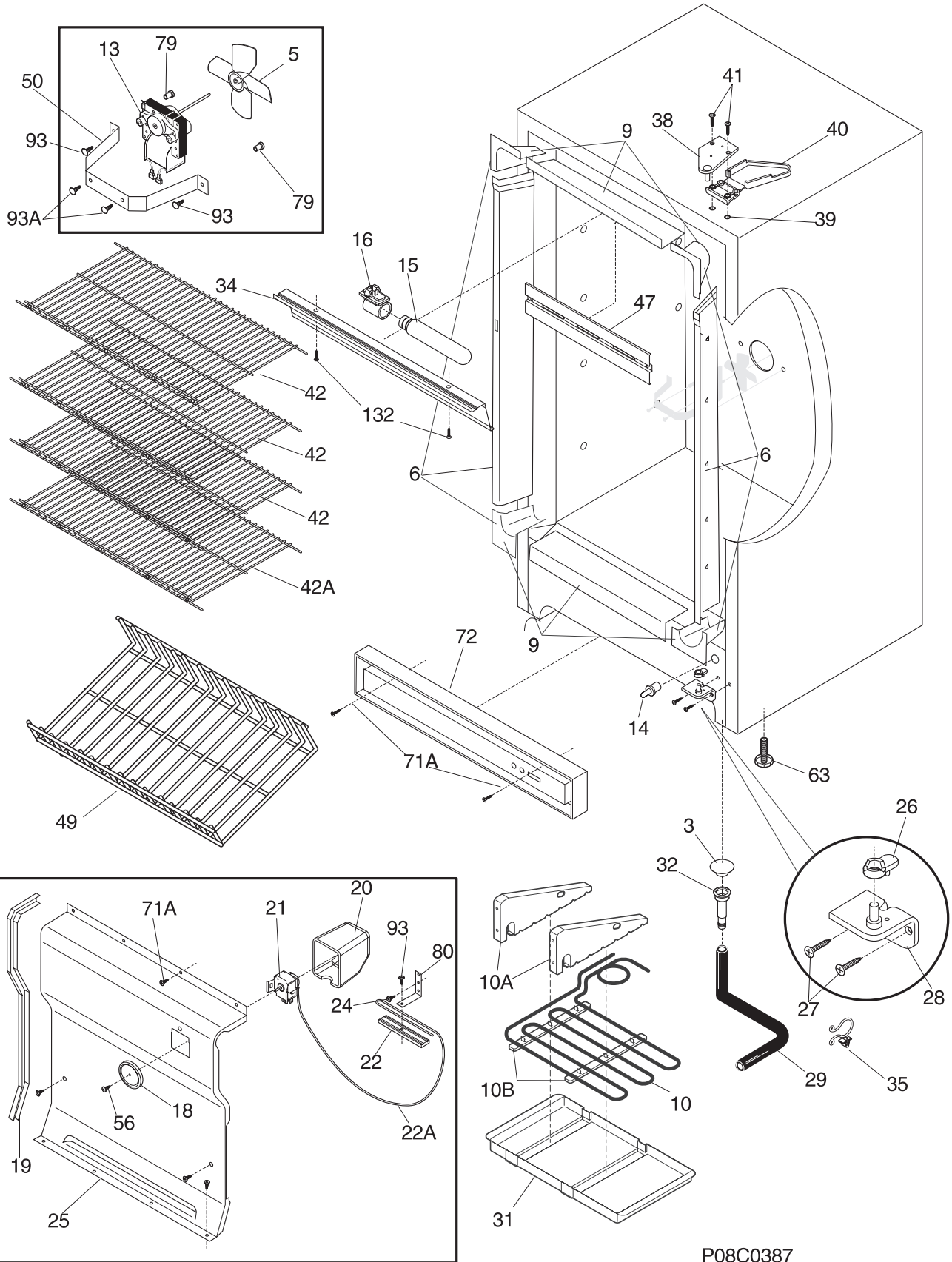


P08D0247

DOOR

POS. NO	PART NO	DESCRIPTION
1	216522309	Gasket-door,white
9	216527813	Panel-inner door,frzr
11	216526518	Panel-outer door,white
12	316095402	Label-nameplate,Frigidaire ,white
12A	216373000	Frame-nameplate
13	08016354	Door Stop
14	5303313518	Washer,sealing
18	218762701	Handle-door,white
21A	08005520	Screw-door stop mtg,flat hd metric , 4.0 x 0.7-19.7
21C	218252200	Screw,#8 truss hd , 10-32CA x 0.500
22	216443600	Bearing
22A	216503200	Bearing-hinge,btm
25	216022800	Screw,washer head ,8-18 X 1/2
26	216524200	Gasket,secondary
27	5303212828	Clip,panel
28	216523102	Rack-shelf,wide ,white
32	5309950074	Valve-breather
37	215870619	Trim-handle,2.47" ,white ,w/chrome band
64	216403700	Plug-button,base door
93	5303161215	Screw
*	216722100	Harness-lid/defrost

CABINET



P08C0387

CABINET

POS. NO	PART NO	DESCRIPTION
3	216503100	Screen-drain
5 #	216325600	Fan Blade
6	216604200	Breaker Kit w/corners
9	216603300	Breaker Kit w/corners,32" , top or bottom
10	216750000	Heater-Drain Pan Assy
10A	216710400	Bracket,top drain pan
10B	216710500	Bracket,btm. drain pan
13	216690400	Motor-fan
14	216472300	Switch-light plunger
15	216608600	Bulb-light,40W ,130V
16	5300136117	Socket-light/lamp
18	216591700	Knob-control
19	216204900	Gasket,evap cover
20	216230300	Cover,temp control
21	216717900	Control-temperature
22	05878562	Clamp,cap tube ,cold control
22A	5303916855	Tube,sensor sleeve ,plastic ,clear
24	5300052943	Screw-clamp,truss hd cr ,control
25	216665300	Cover,evaporator
26	216503300	Ramp,closer ,door
27	5303205738	Screw-hinge,cr ,1/4-20 x 1.000 ,btm
28	216247400	Hinge-bottom
29	216313503	Hose-drain
31	216732400	Pan-drain
32	5308005500	Drain
34	216557600	Shield-light
35	216273000	Clip,drain hose
38	5303925086	Hinge-upper
39	5303294372	Nut-insert,hinge
40	5303212912	Cover-hinge
41	5303212937	Screw-top hinge
42	216458400	Shelf,14.50x27.88 ,WH
42A	216458200	Shelf,12.50x27.88 ,white
47	216661601	Baffle-plate
49	216278900	Trivet
50	216394000	Bracket-motor mtg fan
56	09950853	Screw-control knob,phillips ,4-40 x 3/8
63	216396900	Foot-adjustable
71A	216347500	Screw,quadrex
72	216174000	Grille/Kickplate,white
79	3017666	Nut-insert
80	06594601	Bracket,control
93	5303161215	Screw
93A	5303302760	Screw
132	5303283898	Screw,6-20AB x 3/8
*	09948773	Insulation,drain tube
*	216502400	Grommet-shelf mtg
*	216758400	Service Data Sheet

SYSTEM

POS. NO	PART NO	DESCRIPTION
1 #	5300083897	Condenser
2	5308000110	Strap-evap/heater,aluminum ,(2)
4	216634500	Drier-filter
5 #	216722200	Harness-main
5*	216695300	Relay
5*	216703900	Thermostat-heater
14	216730700	Heater-defrost
14A#	216730500	Heater-internal
15 #	216737300	Evaporator
15A	216751100	Heat Exchanger
18	216727600	Insulator-evap,styrofoam
19	216727700	Insulator-evap,styrofoam
20	216731000	Thermostat-defrost
23	216744400	Timer-defrost
24	08016580	Bracket
27	216498900	Grommet,compressor
29 #	216681000	Compressor,w/o electricals
30	216681100	Starter
31	216100118	Overload Protector
34	5306594529	Sleeve-compressor
35	5303272328	Screw,Ind hex sems ,1/4-28 unfx , compressor
43	09950610	Clip,cord
43A	216629700	Clip-harness
53	216347800	Cover,compressor
86	216036600	Screw,rwhd (gx-ca) ,8-32 x 1/2
87	08037849	Screw
130	216730400	Support-evaporator
*	216502500	Sleeve-tube insert