

EO, MOH, MOV



27 and 30 Inch Wide, Single, Discovery Wall Ovens

PLANNING GUIDE

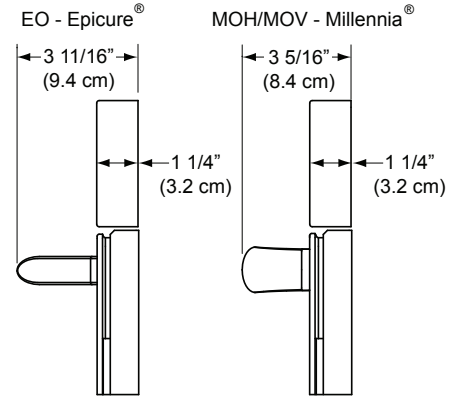
WARNING

- Observe all governing codes and ordinances during planning and installation. Contact your local building department for further information.
- This appliance must be installed in accordance with the accompanying installation instructions.

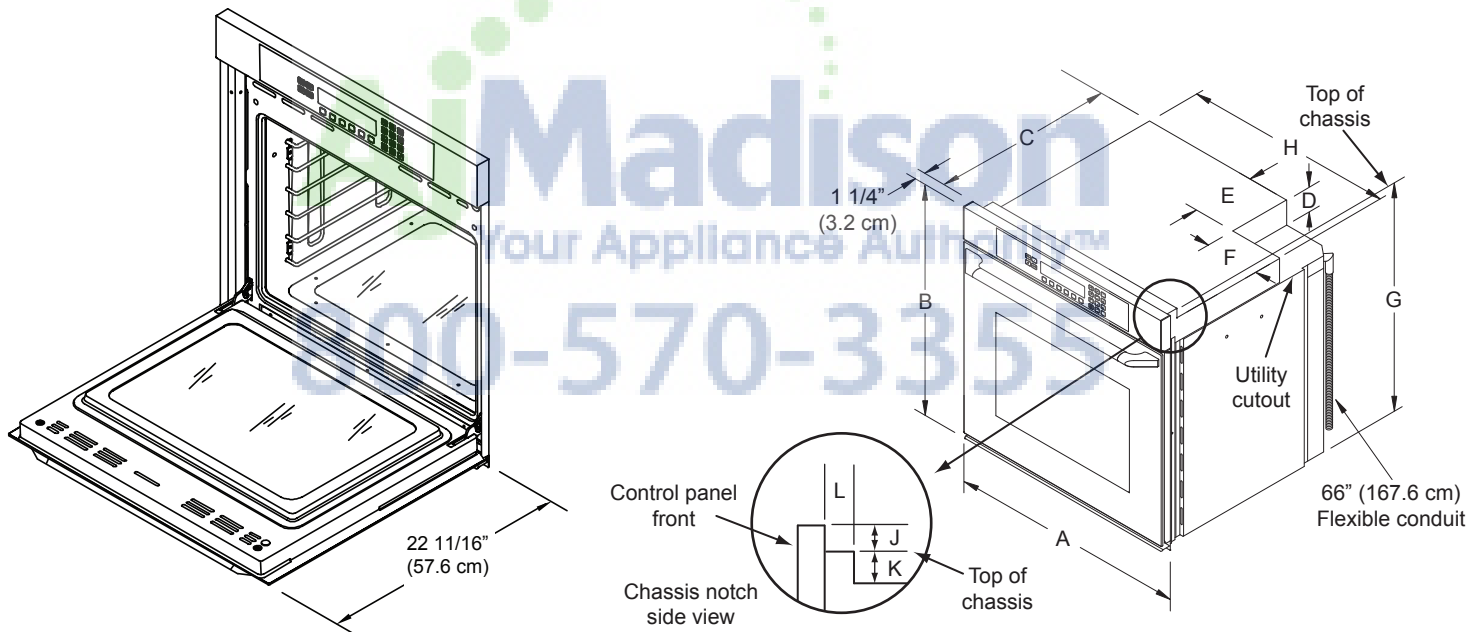
Product tolerances: ±1/16" (±1.6 mm), unless otherwise stated.

Dedicated Circuit Required	Total Connected Load	Approximate Shipping Weight
240 Vac, 4-wire*, 60Hz, 30 Amp.	4.6 kW (19.5 Amp.)	240 lbs.

* Two 120 Vac hot (L1 and L2), one neutral, one ground.



HANDLE DIMENSIONS - SIDE VIEW



Model	A	B	C	D	E	F	G	H	J	K	L
EO127	27" (68.6 cm)	27 15/16" (71.0 cm)	23 3/8" (59.4 cm)	2 5/16" (5.9 cm)	7 3/8" (18.7 cm)	6 3/8" (16.2 cm)	27 3/8" (69.5 cm)	25 3/8" (64.4 cm)	9/16" (1.4 cm)	1" (2.5 cm)	1 7/8" (4.6 cm)
MOH127											
MOV127											
EO130	30" (76.2 cm)	27 15/16" (71.0 cm)	23 3/8" (59.4 cm)	2 5/16" (5.9 cm)	7 3/8" (18.7 cm)	6 3/8" (16.2 cm)	27 3/8" (69.5 cm)	28 3/8" (72.0 cm)	9/16" (1.4 cm)	1" (2.5 cm)	1 7/8" (4.6 cm)
MOH130											
MOV130											

PRODUCT DIMENSIONS

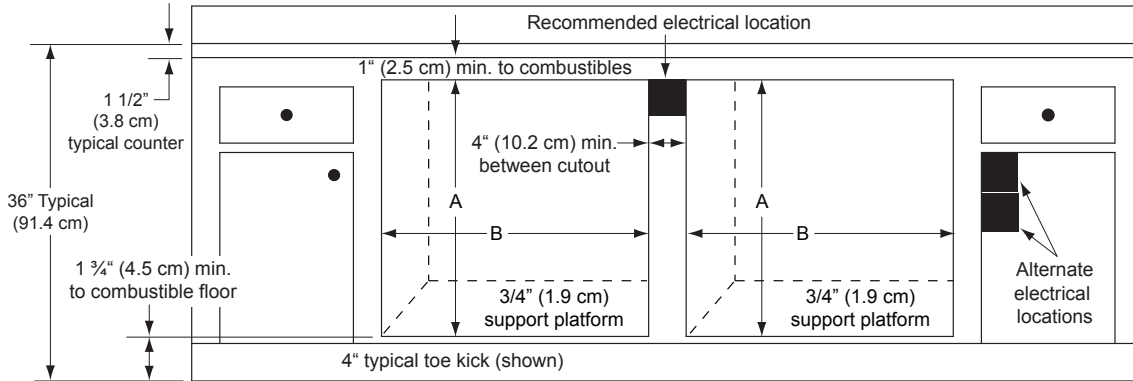
EO, MOH, MOV



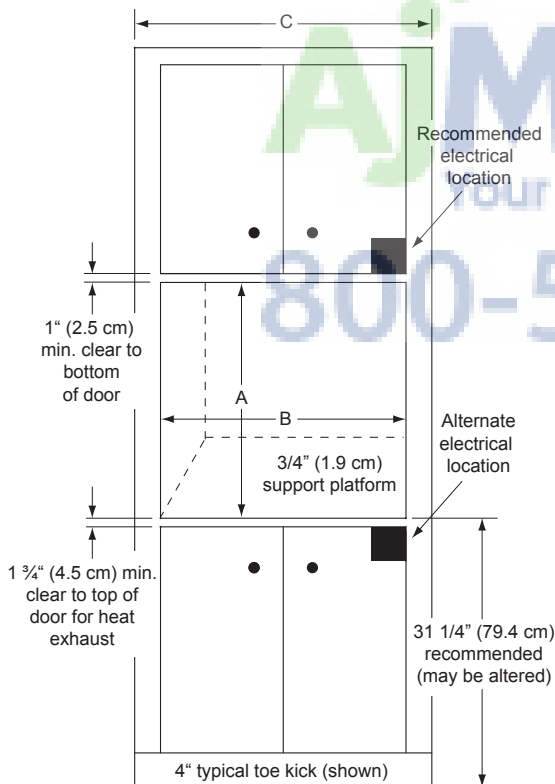
27 and 30 Inch Wide, Single, Discovery Wall Ovens

PLANNING GUIDE

Cutout tolerances: +1/16" (+1.6 mm), -0, unless otherwise stated.

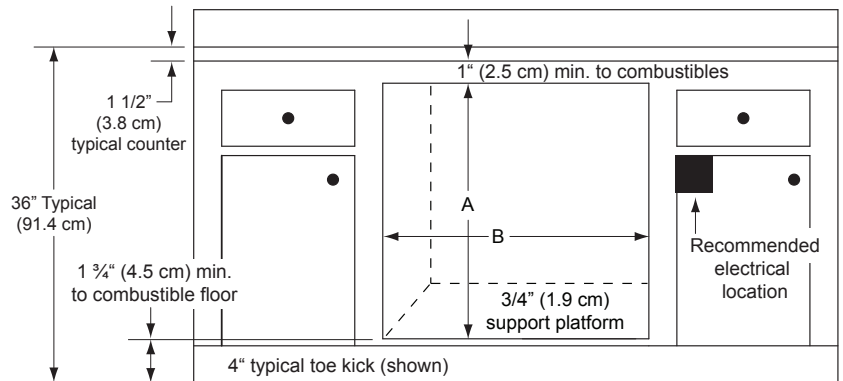


CUTOUT DIMENSIONS SIDE-BY-SIDE UNDER-COUNTER INSTALLATION



Model	A	B	C
EO127	27 7/16" (69.7 cm)	25 1/2" (64.8 cm)	27" (68.6 cm)
MOH127			
MOV127			
EO130	28 1/2" (72.4 cm)	30" (76.2 cm)	30" (76.2 cm)
MOH130			
MOV130			

CUTOUT DIMENSIONS



CUTOUT DIMENSIONS - UNDER-COUNTER INSTALLATION



NOTES:

- 24" (61.0 cm) minimum interior cabinet depth. Back of cabinet may need to be removed.
- 3/4" (1.9 cm) support platform (flush with cutout).
- 1/8" (3 mm) minimum clearance from appliance to adjacent cabinet doors/drawers.
- Two (2) Single Ovens are not approved in a stack configuration.