

# **FISHER & PAYKEL**

## **PROFESSIONAL RANGE**

---

**RDV2 & RGV2**  
models

**INSTALLATION GUIDE**

**US CA**

**591090D 01.18**

**⚠ WARNING!**

If the information in this manual is not followed exactly, a fire or explosion may result causing property damage, personal injury or death.

Do not store or use gasoline or other flammable vapors and liquids in the vicinity of this or any other appliance.

NEVER use this appliance as a space heater to heat or warm the room. Doing so may result in carbon monoxide poisoning and overheating of the appliance.

**WHAT TO DO IF YOU SMELL GAS**

- Do not try to light any appliance.
- Do not touch any electrical switch.
- Do not use any phone in your building.
- Immediately call your gas supplier from a neighbor's phone.  
Follow the gas supplier's instructions.
- If you cannot reach your gas supplier, call the fire department.

Installation and service must be performed by a qualified installer, service agency or the gas supplier.

# ① SAFETY AND WARNINGS

## ⚠ WARNING!



**Electrical shock hazard**  
 Before carrying out any work on the electrical section of the appliance, it must be disconnected from the mains electricity supply. Connection to a good ground wiring system is absolutely essential and mandatory.  
 Alterations to the domestic wiring system must only be made by a qualified electrician  
 Failure to follow this advice may result in electrical shock or death.

## ⚠ WARNING!



**Cut Hazard**  
 Take care – panel edges are sharp.  
 Failure to use caution could result in injury or cuts.



To reduce the risk of tipping the appliance, the appliance must be secured by properly installed anti-tip device packed with the appliance.

- A child or adult can tip the range and be killed.
- Install the anti-tip device to the structure by fastening the supplied bracket to the floor and wall following the instructions for installing the anti-tip device.
- Engage the anti-tip device.
- Re-engage the anti-tip device if the range is moved.
- See installation instructions for details.

Failure to do so can result in death or serious burns to children of adults.

## ⚠ WARNING!



**420-630 lb**  
**190-285 kg**

**Extremely Heavy**  
 Proper equipment and adequate manpower must be used in moving the range to avoid personal injury or damage to the unit or the floor. The unit is heavy and rests on adjustable steel legs.  
 Failure to follow this advice may result in damage or personal injury.

## IMPORTANT SAFETY INSTRUCTIONS!

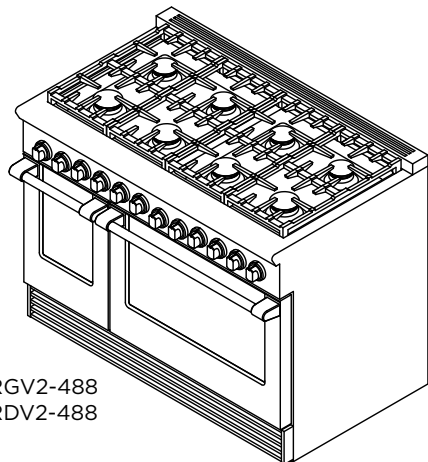
- Save these instructions for the local inspectors use.
- To avoid hazard, follow these instructions carefully before installing or using this appliance.
- Please make this information available to the person installing the appliance – doing so could reduce your installation costs.
- This range is to be installed and connected to the electricity supply only by an authorized person.
- If the installation requires alterations to the domestic electrical system, call a qualified electrician. The electrician should also check that the socket cable section is suitable for the electricity drawn by the range.
- Service should only be done by authorized technicians. Technicians must disconnect the power supply before servicing this appliance.
- The range must be grounded.
- Installation must comply with your local building and electricity regulations.
- This appliance must be installed and connected to the mains power supply only by a suitably qualified person according to these installation instructions and in compliance with any applicable local building and electricity regulations. Failure to install the appliance correctly could invalidate any warranty or liability claims.
- Ensure the installer shows the customer where the gas supply shut-off valve is located.
- If the power supply cable is damaged, it must be replaced by the manufacturer, its service agent or similarly qualified person in order to avoid a hazard.
- A circuit breaker is recommended.
- Do not use adaptors, reducers or branching devices to connect the oven to the mains electricity supply, as they can cause overheating and burning.
- Improper installation, adjustment alteration, service or maintenance can cause property damage, injury or death. Read the installation, operating and maintenance instructions thoroughly before using, installing or servicing this appliance.
- A risk of the appliance tipping over exists if the appliance is not installed in accordance with installation instructions.
- DO NOT obstruct the flow of combustion or ventilation air to the appliance. Be sure a fresh air supply is available.
- California Proposition 65 – The burning of gas cooking fuel generates some by-products which are known by the State of California to cause cancer or reproductive harm. California law requires businesses to warn customers of potential exposure to such substances. To minimize exposure to these substances, always operate this unit according to the manufacturer's instructions and provide good ventilation to the room when cooking with gas.
- Check local building codes for the proper method of range installation. Local codes vary. Installation, electrical connections, and grounding must comply with all applicable codes. In the absence of local codes, the range should be installed in accordance with the latest edition of National Fuel Gas Code ANSI Z223.1 and National Electrical Code ANSI / NFPA 70.
- In Canada: Installation must be in accordance with the current CAN/CGA B149.1 & 2 Gas Installation codes and/or local codes. Electrical installation must be in accordance with the current CSA C22.1 Canadian Electrical Codes Part 1 and/or local codes.
- Be sure that the unit being installed is set up for the kind of gas being used. The gas range is shipped from the factory set and adjusted for Natural Gas or LP (propane), depending on the specific model ordered. Verify that the range is compatible with the gas at the installation site before proceeding further. Return range to dealer if the unit is not set for site gas supply.

## IMPORTANT! SAVE THESE INSTRUCTIONS

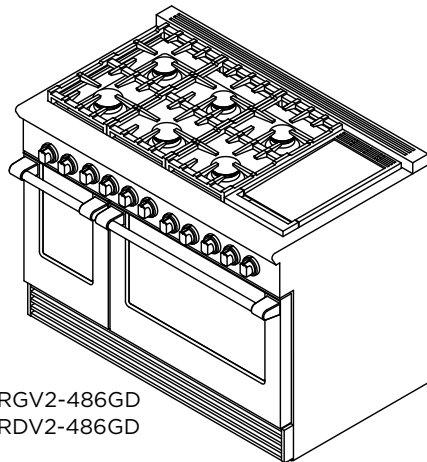
The models shown in this installation guide may not be available in all markets and are subject to change at any time. For current details about model and specification availability in your country, please go to our website [www.fisherpaykel.com](http://www.fisherpaykel.com) or contact your local Fisher & Paykel dealer.

② MODEL IDENTIFICATION

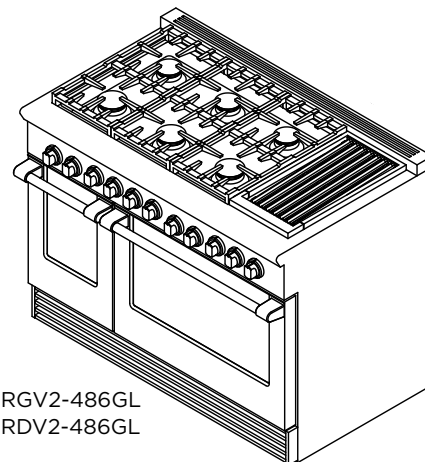
48" MODELS



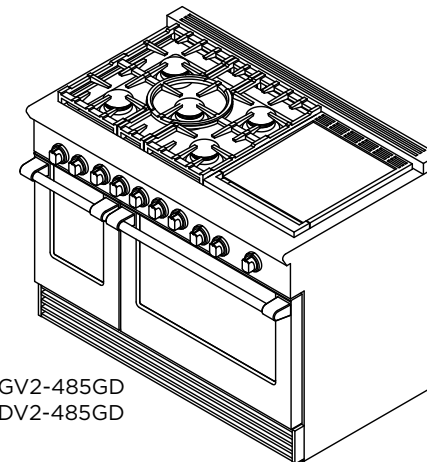
RGV2-488  
RDV2-488



RGV2-486GD  
RDV2-486GD

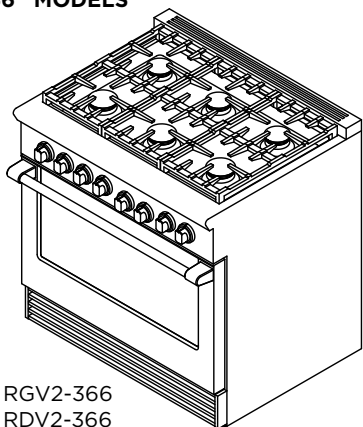


RGV2-486GL  
RDV2-486GL

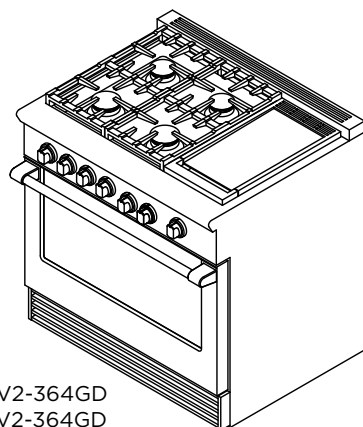


RGV2-485GD  
RDV2-485GD

36" MODELS

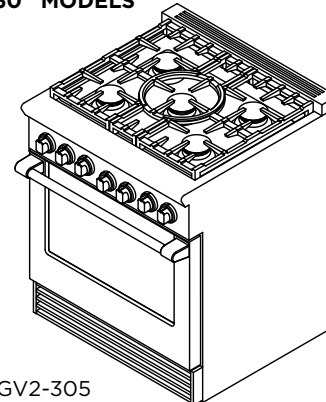


RGV2-366  
RDV2-366

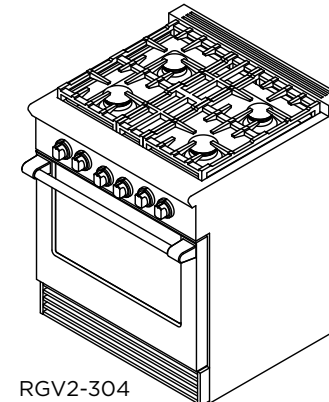


RGV2-364GD  
RDV2-364GD

30" MODELS



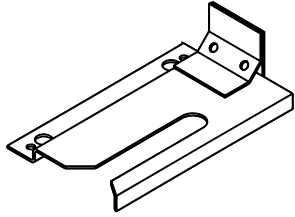
RGV2-305  
RDV2-305



RGV2-304  
RDV2-304

### 3 PARTS SUPPLIED FOR INSTALLATION

---



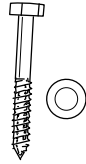
Anti-tip bracket (1)



#10 x 2"  
wood screws (4)



5/16" x 1 1/2"  
sleeve anchors (2)



Lag bolts and  
washers (2)

### 4 UNPACKING AND HANDLING THE RANGE

---

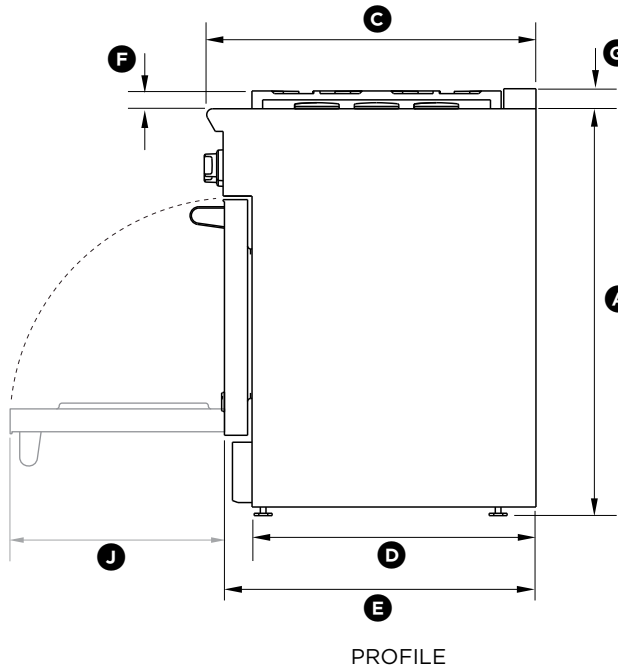
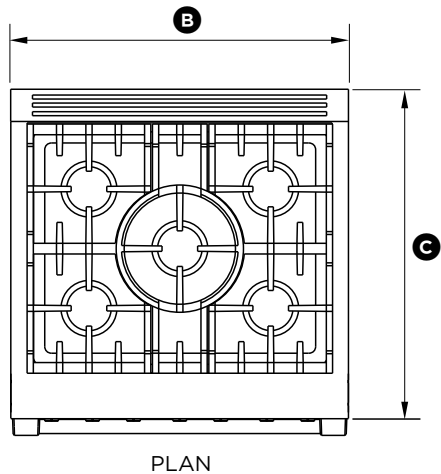
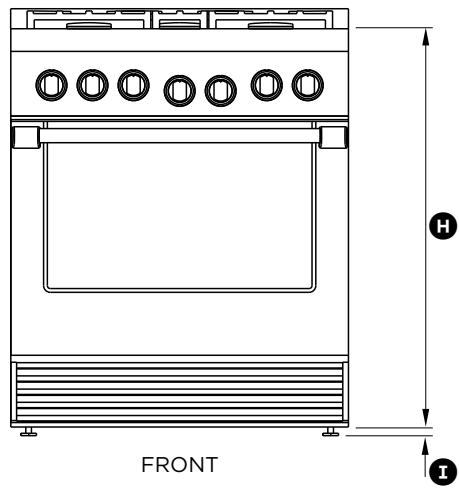
#### Unpacking and handling

- Inspect the product to verify that there is no shipping damage. If any damage is detected, call the shipper and initiate a damage claim. Fisher & Paykel is not responsible for shipping damage.
- DO NOT discard any packing material (box, pallet, straps) until the unit has been inspected.
- Remove the outer carton and any packing material from the shipping base.

#### **IMPORTANT!**

- **DO NOT lift range by the oven door handles!**
- **DO NOT remove the grill or griddle assemblies!**

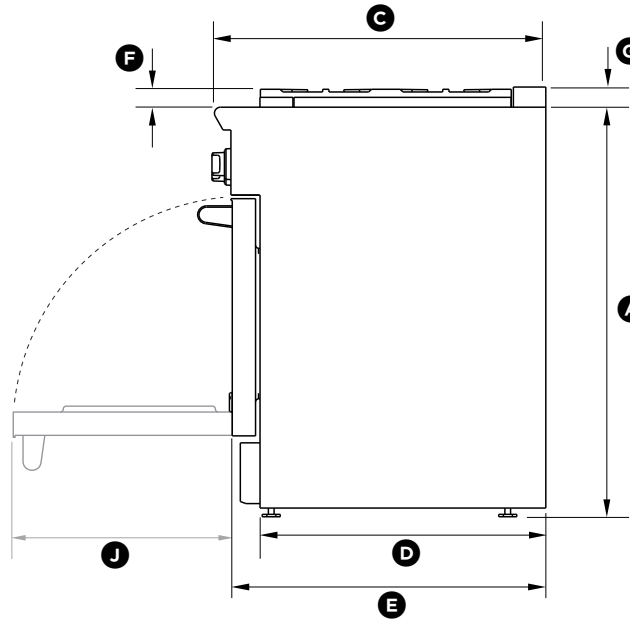
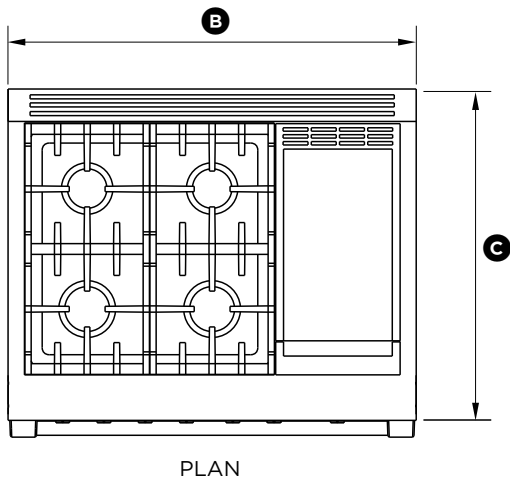
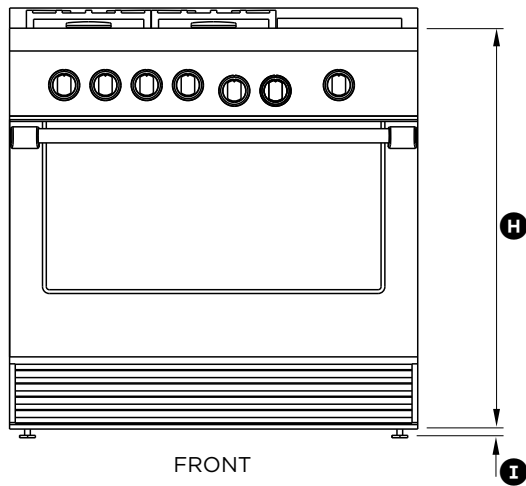
## 5 PRODUCT DIMENSIONS - 30" MODELS



RGV2-305 shown for illustration purposes only

PRODUCT DIMENSIONS		30" MODELS
		inches (mm)
(A)	Overall height of range (from floor to cooktop, excluding pan supports and vent trim)	min 35 3/4" (908) max 36 3/4" (933)
(B)	Overall width of range	29 7/8" (759)
(C)	Overall depth of range (excluding handle and dials)	29 1/8" (740)
(D)	Depth from rear of chassis to cabinetry face - projecting control panel	25 1/8" (638)
(E)	Depth from rear of chassis to cabinetry face - flush control panel	27 11/16" (703)
(F)	Height from top of countertop to top of pan supports	1 9/16" (40)
(G)	Height from top of countertop to top of - vent trim (if fitted) - angled vent trim (if fitted)	1 3/4" (45) 3 1/2" (90)
(H)	Height from top of countertop to bottom of chassis	35 1/4" (895)
(I)	Adjustable feet height	min 1/2" (13) max 1 1/2" (38)
(J)	Depth of open door to front control panel	19 1/8" (486)

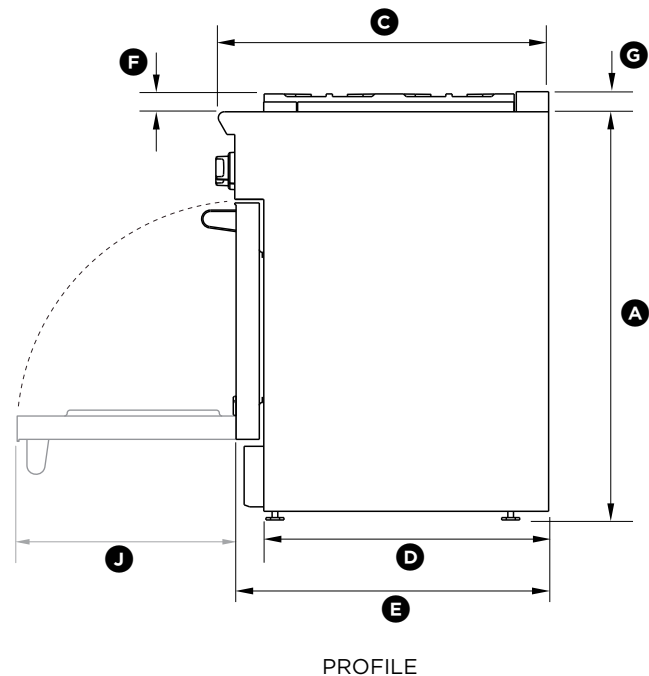
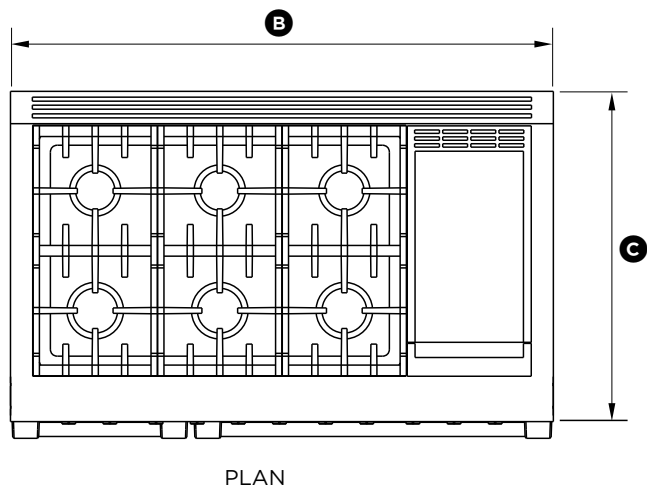
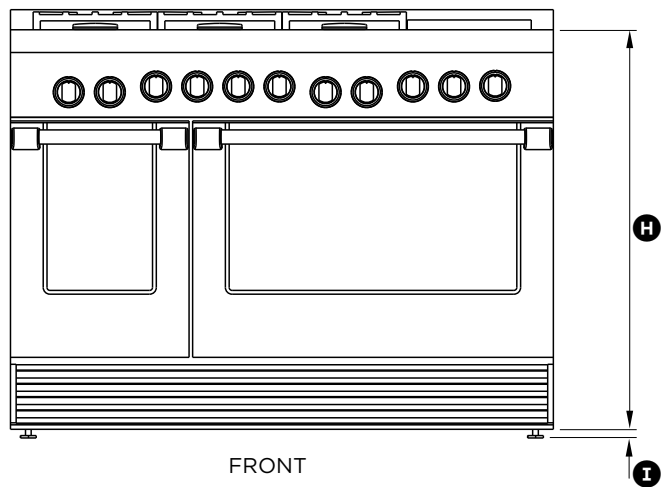
## ⑤ PRODUCT DIMENSIONS - 36" MODELS



RGV2-364GD shown for illustration purposes only

PRODUCT DIMENSIONS		36" MODELS
		inches (mm)
(A)	Overall height of range (from floor to cooktop, excluding pan supports and vent trim)	min 35 3/4" (908) max 36 3/4" (933)
(B)	Overall width of range	35 7/8" (911)
(C)	Overall depth of range (excluding handle and dials)	29 1/8" (740)
(D)	Depth from rear of chassis to cabinetry face - projecting control panel	25 1/8" (638)
(E)	Depth from rear of chassis to cabinetry face - flush control panel	27 11/16" (703)
(F)	Height from top of countertop to top of pan supports	1 9/16" (40)
(G)	Height from top of countertop to top of - vent trim (if fitted) - angled vent trim (if fitted)	1 3/4" (45) 3 1/2" (90)
(H)	Height from top of countertop to bottom of chassis	35 1/4" (895)
(I)	Adjustable feet height	min 1/2" (13) max 1 1/2" (38)
(J)	Depth of open door to front control panel	19 1/8" (486)

5 PRODUCT DIMENSIONS - 48" MODELS

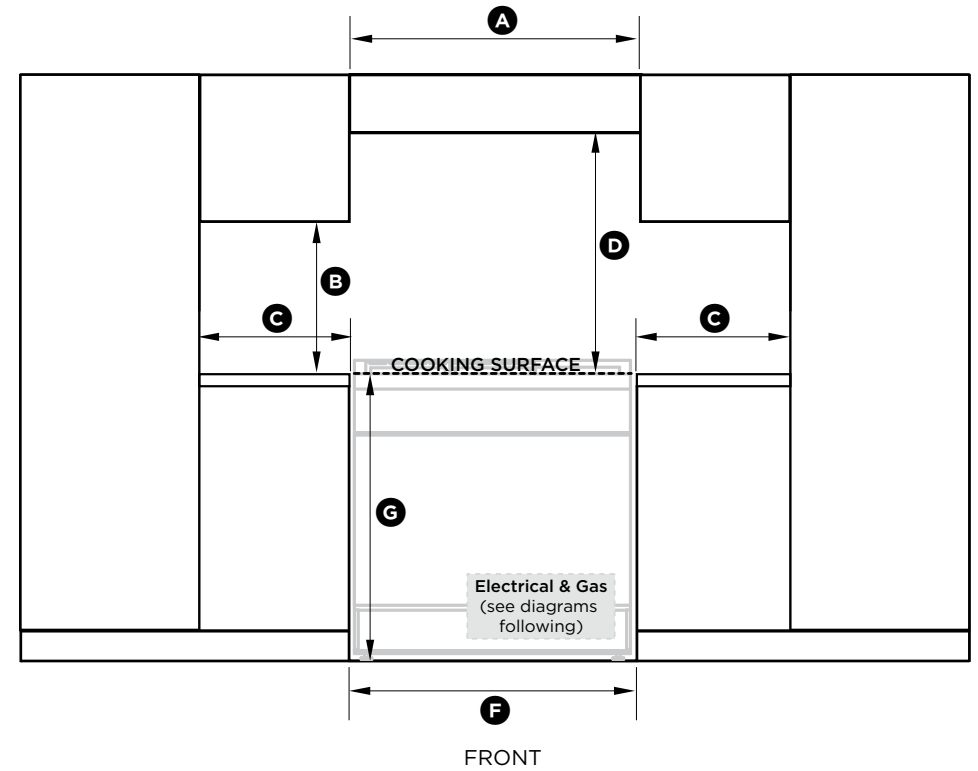
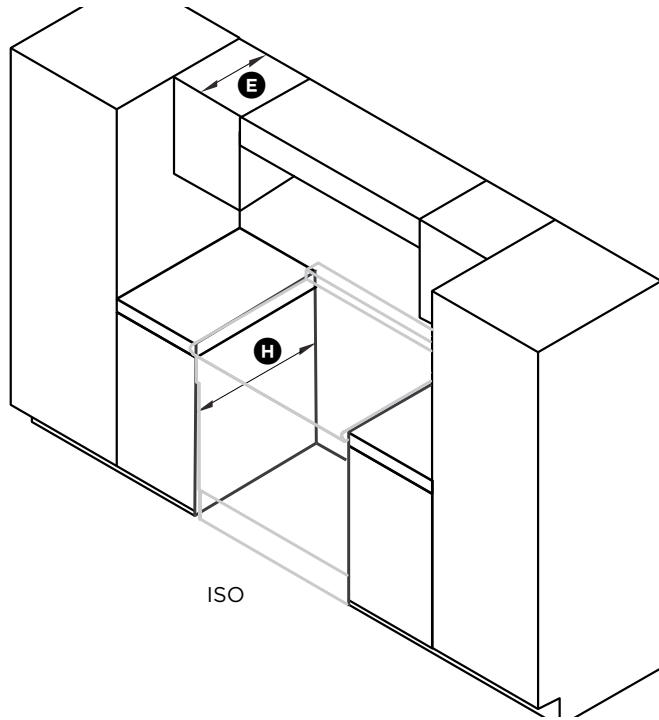


RGV2-486GD shown for illustration purposes only

PRODUCT DIMENSIONS		48" MODELS
		inches (mm)
(A)	Overall height of range (from floor to cooktop, excluding pan supports and vent trim)	min 35 3/4" (908) max 36 3/4" (933)
(B)	Overall width of range	47 7/8" (1216)
(C)	Overall depth of range (excluding handle and dials)	29 1/8" (740)
(D)	Depth from rear of chassis to cabinetry face - projecting control panel	25 1/8" (638)
(E)	Depth from rear of chassis to cabinetry face - flush control panel	27 11/16" (703)
(F)	Height from top of countertop to top of pan supports	1 9/16" (40)
(G)	Height from top of countertop to top of - vent trim (if fitted) - angled vent trim (if fitted)	1 3/4" (45) 3 1/2" (90)
(H)	Height from top of countertop to bottom of chassis	35 1/4" (895)
(I)	Adjustable feet height	min 1/2" (13) max 1 1/2" (38)
(J)	Depth of open door to front control panel	19 1/8" (486)



## 6 CLEARANCE DIMENSIONS - ALL MODELS

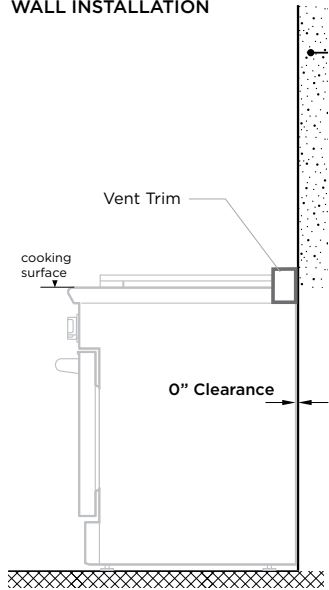


CLEARANCE DIMENSIONS	30" MODELS	36" MODELS	48" MODELS
	inches (mm)	inches (mm)	inches (mm)
Ⓐ Minimum width of ventilation hood installed above range	30" (762)	36" (914)	48" (1219)
Ⓑ Minimum vertical distance between countertop and cabinet extending above counter	18" (457)	18" (457)	18" (457)
Ⓒ Minimum clearance from left and right edge of range to nearest vertical combustible surface	12" (305)	12" (305)	12" (305)
Ⓓ Minimum clearance from cooking surface to:			
- <b>combustible surface</b> centered above the cooking surface	54" (1372)	54" (1372)	54" (1372)
- <b>combustible covering</b> for ventilation hood centered above the cooking surface	36" (914)	36" (914)	36" (914)
- <b>non-combustible surface*</b> centered above the cooking surface	30" (762)	30" (762)	30" (762)
Ⓔ Maximum overall depth of overhead cabinetry	13" (330)	13" (330)	13" (330)
Ⓕ Width of cabinetry opening	30" (762)	36" (914)	48" (1219)
Ⓖ Maximum height from floor to countertop:			
- for level counter	35 3/4" (908)	35 3/4" (908)	35 3/4" (908)
- with range levelling legs fully extended	36 3/4" (933)	36 3/4" (933)	36 3/4" (933)
Ⓗ Maximum depth from wall to cabinetry face:			
- projecting control panel	25 1/8" (638)	25 1/8" (638)	25 1/8" (638)
- flush control panel	27 11/16" (703)	27 11/16" (703)	27 11/16" (703)

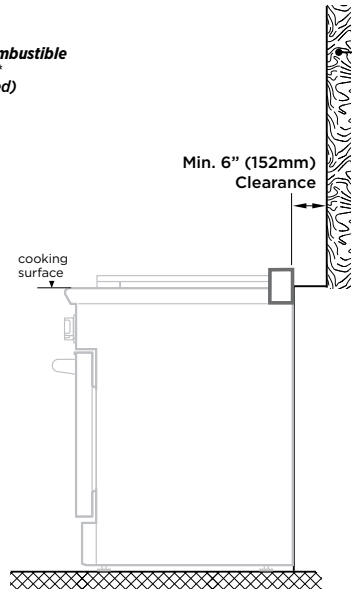
- Notes**
- If the range is to be placed adjacent to cabinets, the clearances shown are required. The same clearances apply to island installations.
  - The range can be placed in various positions with respect to the cabinet front, with the control panel either flush or projecting, depending on the cabinetry depth.
  - The electrical and gas supply should be within the zones shown in the following diagrams
  - Any openings in the wall behind the range and in the floor under the range must be sealed.
  - Always keep the appliance area clear
  - and free from combustible materials, gasoline and other flammable vapors and liquids.
  - Do not obstruct the flow of combustion and ventilation air to the unit.

\* Non-combustible surfaces: as defined in 'National Fuel Gas Code' (ANSI Z223.1, Current Edition). Clearances from non-combustible materials are not part of the ANSI Z21.1 scope and are not certified by UL. Clearances of less than 6" (152mm) must be approved by the local codes and/or by the local authority having jurisdiction.

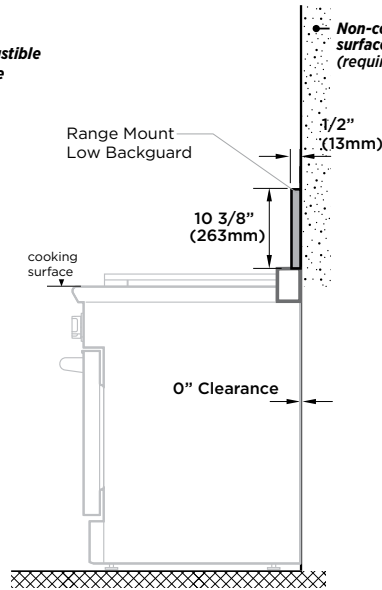
WALL INSTALLATION



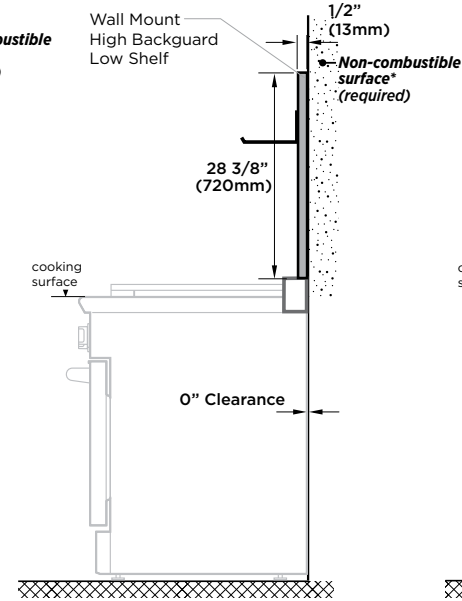
scenario 1  
**NO BACKGUARD USED**  
 Integral Flat Vent Trim or Angled Flat Vent Trim (RGCV2-305 models only) (supplied with range)



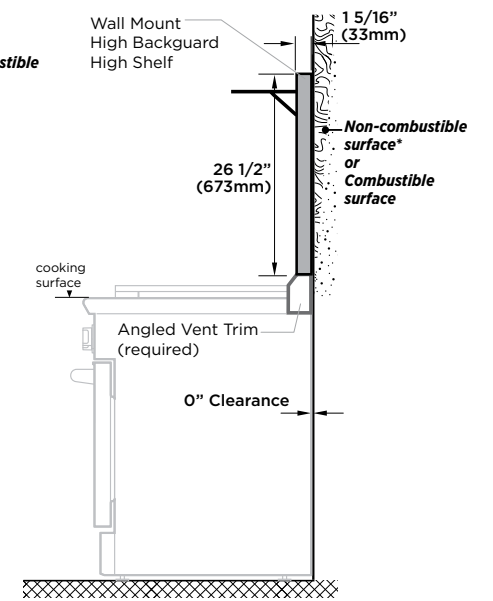
scenario 2  
**NO BACKGUARD USED**  
 Integral Flat Vent Trim or Angled Flat Vent Trim (RGCV2-305 models only) (supplied with range)



scenario 3  
**RANGE MOUNT LOW BACKGUARD**  
 (purchased separately)

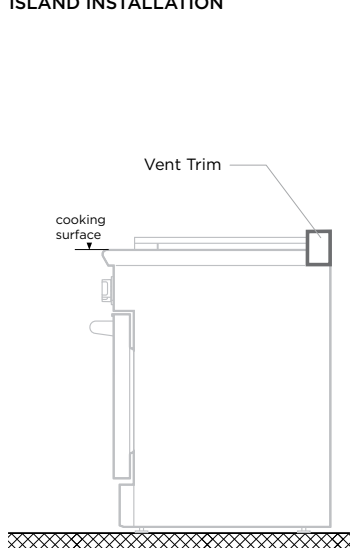


scenario 4  
**WALL MOUNT HIGH BACKGUARD LOW SHELF**  
 (purchased separately)

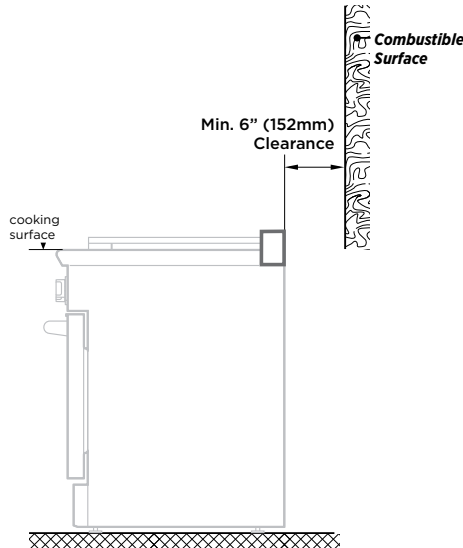


scenario 5  
**WALL MOUNT HIGH BACKGUARD HIGH SHELF AND ANGLED VENT TRIM KIT**  
 (purchased separately)

ISLAND INSTALLATION



scenario 6  
**NO BACKGUARD USED**  
 Integral Flat Vent Trim or Angled Flat Vent Trim (RGCV2-305 models only) (supplied with range)



scenario 7  
**NO BACKGUARD USED**  
 Integral Flat Vent Trim or Angled Flat Vent Trim (RGCV2-305 models only) (supplied with range)

## ⑦ INSTALLATION SCENARIOS AND USE OF BACKGUARDS

### Important notes

- All ranges come fitted standard with with an Integral Flat Vent Trim
- There are three different backguards available for purchase:
  - Range Mount Low Backguard
  - Wall Mount High Backguard with Low Shelf
  - Wall Mount High Backguard with High Shelf, also supplied with an Angled Vent Trim.
- For **installations against non-combustible\* surfaces only**, you may install the range without a backguard or choose any of the three backguards.
- For **installations close to combustible surfaces (above the cooking surface)**, without a backguard, there must be a minimum 6" (152mm) clearance (see Scenario 2 or 7 opposite)
- For **installations immediately against combustible surfaces (above the cooking surface)**, you must purchase and fit the Wall Mount High Backguard High Shelf and Angled Vent Trim (see Scenario 5 opposite)
- The cooking surface must sit flush or above the adjacent countertop level.

\* Non-combustible surfaces:

as defined in 'National Fuel Gas Code' (ANSI Z223.1, Current Edition). Clearances from non-combustible materials are not part of the ANSI Z21.1 scope and are not certified by UL. Clearances of less than 6" (152mm) must be approved by the local codes and/or by the local authority having jurisdiction.

### BACKGUARD MODEL NUMBERS

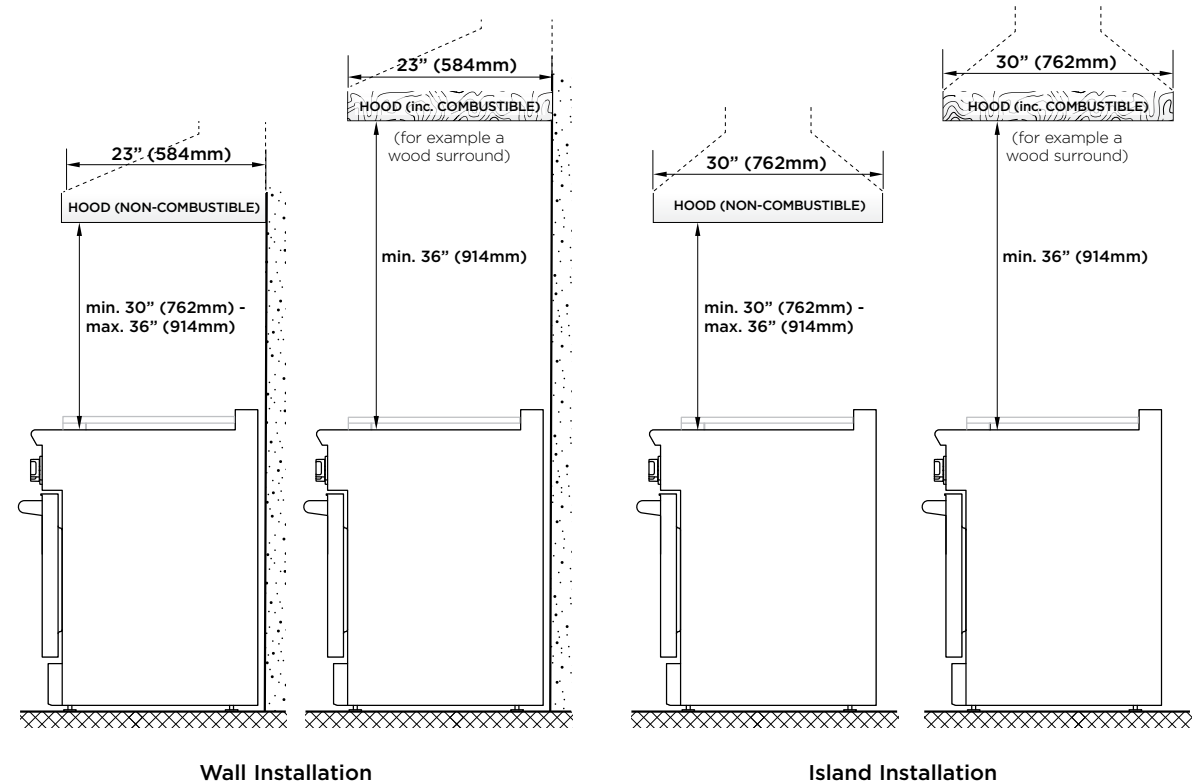
RANGE	RANGE MOUNT LOW BACKGUARD	WALL MOUNT HIGH BACKGUARD LOW SHELF	WALL MOUNT HIGH BACKGUARD HIGH SHELF	BACKGUARD WIDTH
30" models	BGRV2-1230	BGRV2-3030	BGRV2-3030H	29 7/8" (759mm)
36" models	BGRV2-1236	BGRV2-3036	BGRV2-3036H	35 7/8" (911mm)
48" models	BGRV2-1248	BGRV2-3048	BGRV2-3048H	47 7/8" (1216mm)

**Note: For more information on Backguard installation, refer to the separate instructions provided with your backguard. Backguard Installation Instructions can also be downloaded from our website, [www.fisherpaykel.com](http://www.fisherpaykel.com)**

## 8 VENTILATION REQUIREMENTS

A suitable ventilation hood must be installed above the range. The following chart indicates the minimum blower capacity recommended for hood ventilation.

VENTILATION UNIT	STANDARD WALL INSTALLATION RECOMMENDATIONS	ISLAND INSTALLATION RECOMMENDATIONS
HOOD	23" (548 mm) Deep x Unit Width	30" (762mm) Deep x (Unit Width + 4" (102mm))
BLOWER	<b>48" Range</b> 1200 CFM	<b>48" Range</b> 1200 CFM
	<b>36" Range</b> 600-1200 CFM	<b>36" Range</b> 600-1200 CFM
	<b>30" Range</b> 600 CFM	<b>30" Range</b> 600 CFM



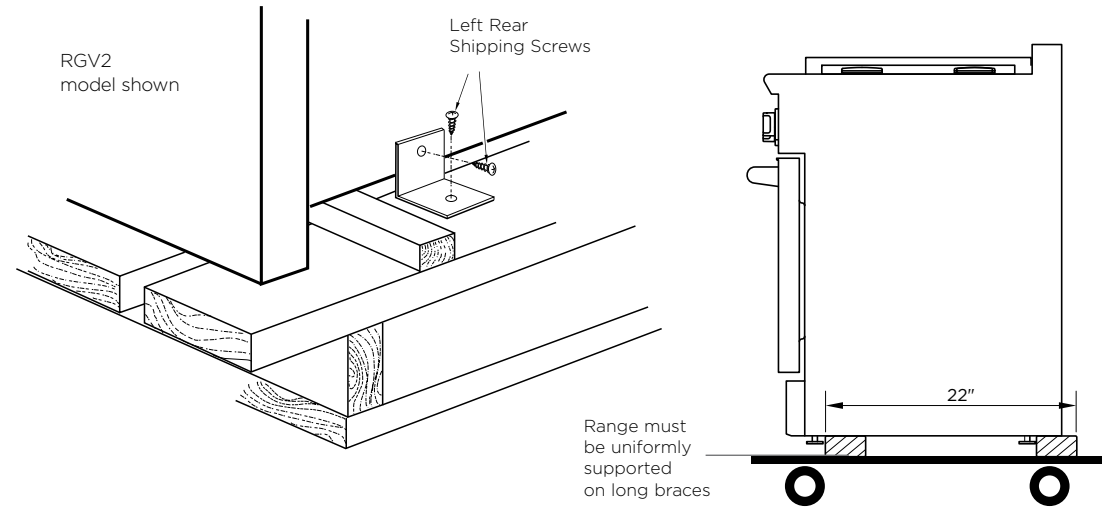
### Important notes

- Ventilation hoods and blowers are designed for use with single wall ducting. However, some local building codes or inspectors may require double wall ducting and/or a damper. Consult local building codes and/or local agencies, before starting, to ensure that hood and duct installation will meet local requirements.
- Hood blower speeds should be variable to reduce noise and loss of heated or air conditioned household air when maximum ventilation is not required. Normally, the maximum blower speed is only required when using the grill or the self-cleaning cycle.
- For best smoke elimination, the lower edge of the hood should be installed a minimum of 30" (762mm) to a maximum of 36" (914mm) above the range cooking surface. If the hood contains any **combustible materials** (eg a wood covering) it must be a minimum of 36" (914mm) above the cooking surface.
- Due to a high volume of ventilation air, a source of make-up air (outside replacement air) is recommended. This is particularly important for tightly sealed and insulated homes. A reputable heating and ventilating contractor should be consulted.

## 9 REMOVE FROM SKID & PLACE ON DOLLY

- The ranges have shipping weights varying from 420 to 630lbs less approx. 50lbs after removal of packing material. It is recommended that the oven door(s), pan supports and front kick panel be removed to facilitate handling, reducing the weight and to pass through some doorways:
- With the door(s) removed, a 29 1/2" wide opening is required. Without removing the door, a 32" wide opening is required.

- The range is held to the skid in the front by two bolts, located behind the kickpanel; and at the back by either two bolts (RDV2 models) located behind the rear metal panel, or two L-brackets (RGV models) located on the bottom flange of the range back.
- After removing the bolts and brackets, the range must be lifted and removed from the skid.
- Due to the weight, a dolly with soft wheels should be used to move this unit. The weight must be supported uniformly across the bottom, as shown.
- The range should be transported by a dolly close to its final location.
- The floor under the legs should be protected (wood strips, carpet, paneling, etc.) before pushing the unit back into its final position.



## 10 TO REMOVE AND REFIT THE KICK PANEL

### To remove the kick panel

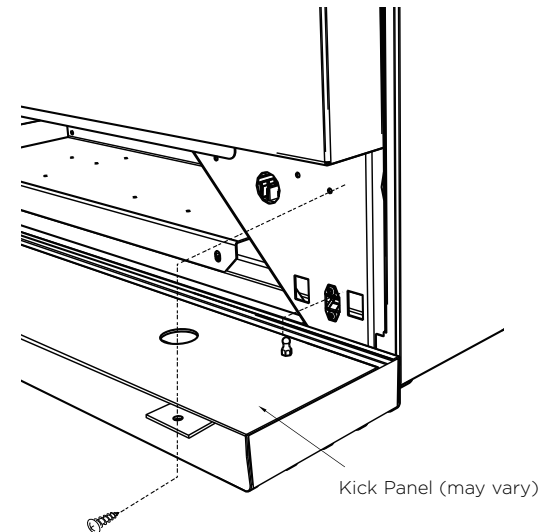
- Remove the two screws at the top and pull forward.

### To refit the kick panel

- Replace the kick panel by reversing the procedure and securing the two screws either side at the top.

### IMPORTANT!

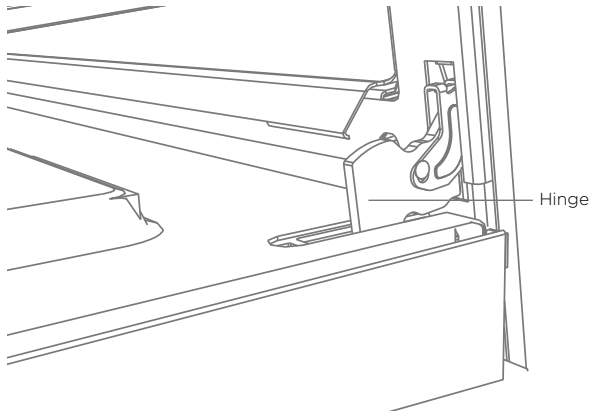
It is important that the two screws retaining the kick panel are secure to prevent accidental access to live electrical components and wires.



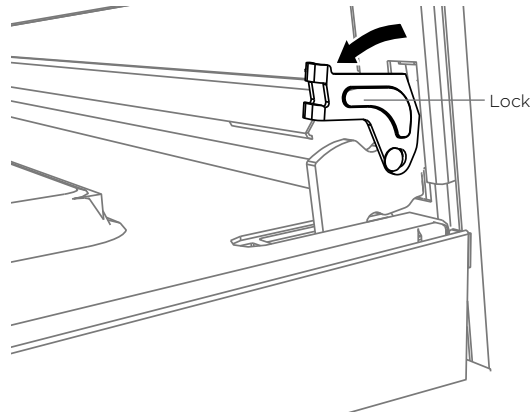
## 11 TO REMOVE THE OVEN DOOR(S)

### IMPORTANT!

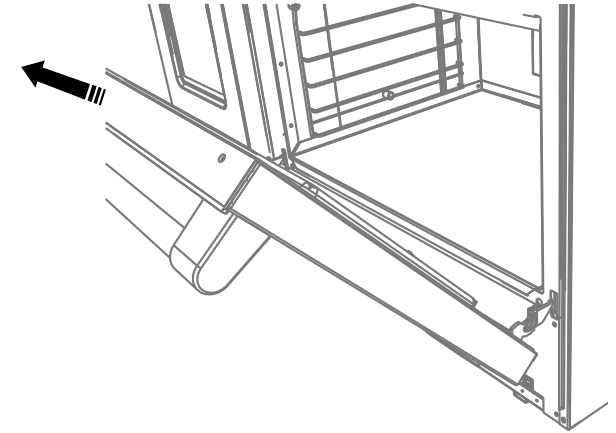
Do not lift oven door by the handle - this will cause damage.  
Be sure the oven and door are cool before you begin to remove the door.



1 Open the door completely.

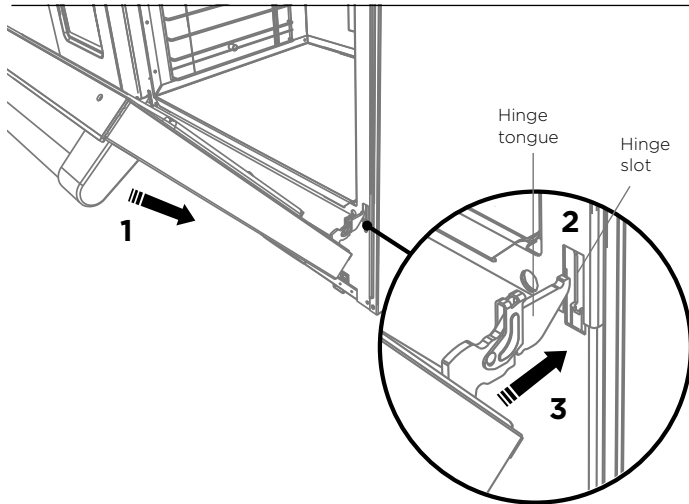


2 Unlock the door hinges by rotating the lock forward.

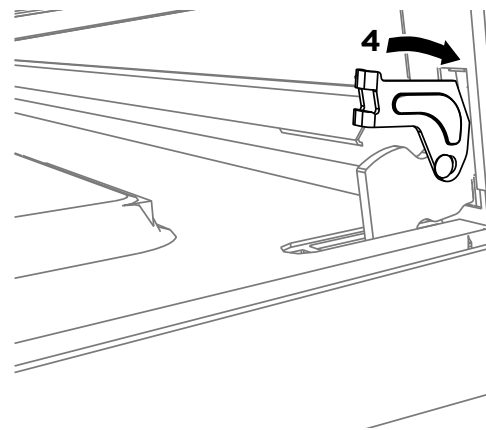


3 Once both hinges are unlocked, gently close the door until approximately halfway closed. Grabbing the sides of the door and gently lifting up and slightly forward, the door will unlatch from the hinge.  
4 Continue to lift and pull the door away from the range.

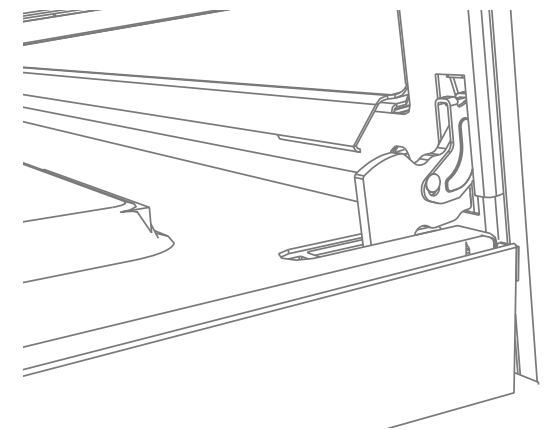
## 12 TO REFIT THE OVEN DOOR(S)



1 Position the door in approximately halfway open position.  
2 Simply place the hinge tongue into the hinge slots.  
3 Push the door into the slots until you feel them fall into the latches.



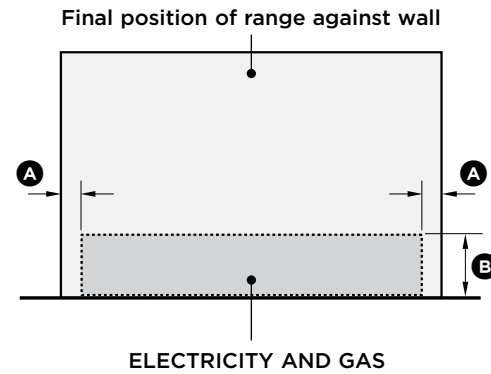
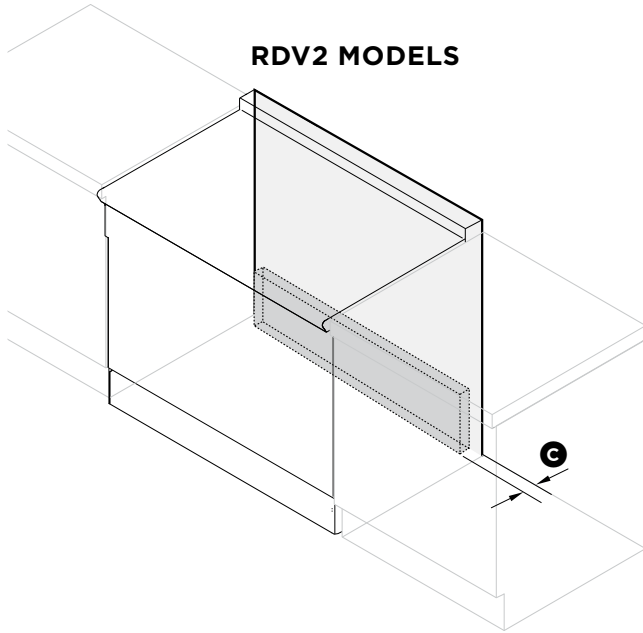
4 Open the door completely and rotate the locks into the closed position



5 Close the oven door.

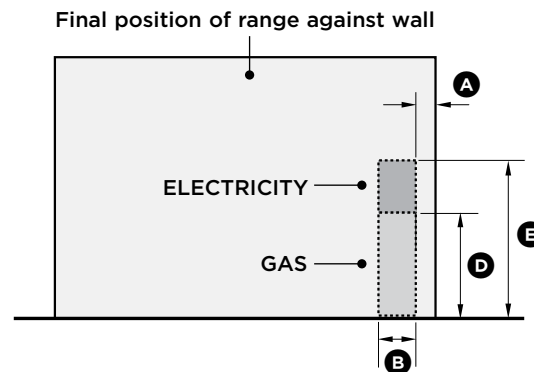
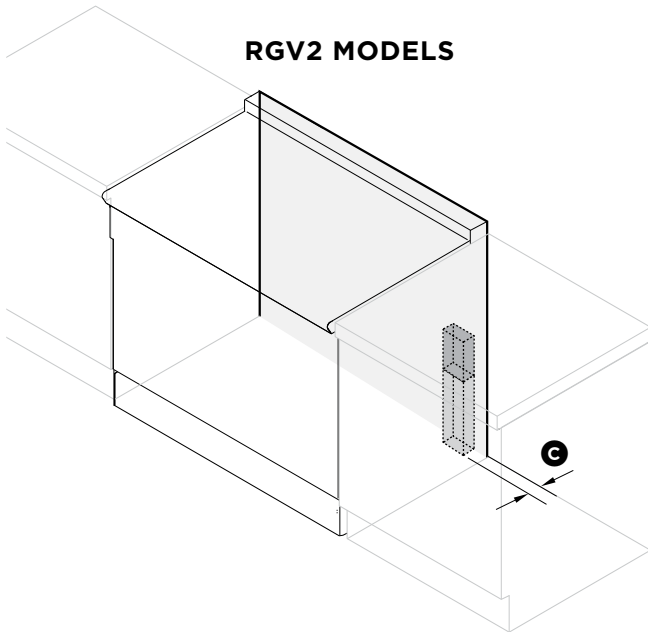
13 LOCATION OF ELECTRICAL & GAS SUPPLY

**RDV2 MODELS**



SUPPLY AREA DIMENSIONS		RDV2
(A)	Distance from either edge of range to supply area	1 1/2" (38mm)
(B)	Height of gas and electrical supply areas (from floor)	6" (152mm)
(C)	Depth of supply areas (ie maximum protrusion of gas connection from wall)	2" (51mm)

**RGV2 MODELS**

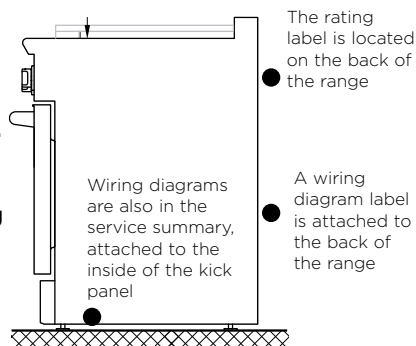


SUPPLY AREA DIMENSIONS		RGV2
(A)	Distance from right edge of range to supply area	1 1/2" (38mm)
(B)	Width of supply areas - 30" models - 36" models - 48" models	2" (51mm) 5" (127mm) 3" (76mm)
(C)	Depth of supply areas (ie maximum protrusion of gas connection from wall)	2" (51mm)
(D)	Height of gas supply area (from floor)	12" (305mm)
(E)	Height of electrical supply area (from floor)	19" (483mm)

## ALL MODELS

### IMPORTANT!

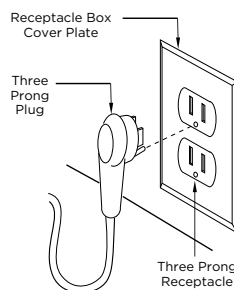
- This range must be connected to the mains power supply only by a suitably qualified person.
- This range must be earthed.
- Always disconnect electric supply cord from the wall outlet or service disconnect before servicing this appliance.
- Observe all governing codes and ordinances when grounding, in absence of which, observe National Electrical Code ANSI / NFPA No. 70.



## RGV2 MODELS

The electrical supply must be a correctly polarized 120 VAC, 60 Hz, single phase circuit suitable for the maximum current draw of the model, as detailed in the table below. Verify your model's current draw by checking the rating label on the back of the range.

MODEL	MAX. CURRENT DRAW	CIRCUIT	FREQUENCY
RGV2-305	5 A	15 A	60 Hz
RGV2-364GD	8 A	15 A	60 Hz
RGV2-304	5 A	15 A	60 Hz
RGV2-366	5 A	15 A	60 Hz
RGV2-488	9 A	15 A	60 Hz
RGV2-485GD	15 A	15 A	60 Hz
RGV2-486GD	12 A	15 A	60 Hz
RGV2-486GL	12 A	15 A	60 Hz



### Required grounding method - RGV2 MODELS

- This appliance is factory equipped with a power supply cord with a three-prong grounding plug (with polarized parallel blades). It must be plugged into a mating grounding-type receptacle, connected to a correctly polarized 120 VAC. If the circuit does not have a grounding type receptacle, it is the responsibility and obligation of the installer to have the existing receptacle changed to a properly grounded and polarized receptacle in accordance with all applicable local codes and ordinances by a qualified electrician. In the absence of local codes and ordinances, the receptacle replacement shall be in accordance with the National Electrical Code.
- **IMPORTANT!**  
The third prong should not, under ANY circumstances, be cut or removed.

## RDV2 MODELS

- A neutral supply wire must be provided from the power source (breaker panel) because critical range components, including the surface burner spark reignition module, require 120 VAC to operate safely and properly.
- If the correct power supply circuit is not provided, it is the responsibility and obligation of the installer and user to have proper power supply connected. This must be accomplished in accordance with all applicable local codes and ordinances by a qualified electrician. It is the responsibility of the installer to ensure compliance of local codes. In the absence of local codes and ordinances, the power supply connection shall be in accordance with the National Electric Code.
- Observe all governing codes and ordinances when grounding. In the absence of these codes or ordinances observe National Electrical Code ANSI/NFPA No. 70 current issue. See the following information in this section for grounding method..
- The ranges are to be connected to a 240/208 VAC power supply.

### IMPORTANT!

An improper 120/ 240 VAC power supply will cause malfunction, damage to this appliance, and possibly create a condition of shock hazard.

Improper connection of aluminum house wiring can result in a fire or shock hazard. Use only connectors designed and certified for connecting to aluminum wire.

MODEL	MAX. CURRENT DRAW	CIRCUIT	FREQUENCY
RDV2-305	18 A	30 A	60 Hz
RDV2-304	21 A	30 A	60 Hz
RDV2-364GD	21 A	30 A	60 Hz
RDV2-366	18 A	30 A	60 Hz
RDV2-488	33 A	50 A	60 Hz
RDV2-485GD	40 A	50 A	60 Hz
RDV2-486GD	36 A	50 A	60 Hz
RDV2-486GL	36 A	50 A	60 Hz

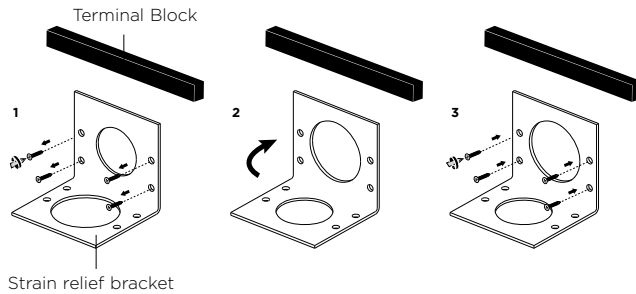


## RDV2 MODELS

- Dual Fuel models must be connected to the power supply utilizing one of the following methods. For all methods of connection, the length of the cord or conduit/wiring must allow the unit to be slid completely out of the cabinet without having to unplug or disconnect the unit from the power supply. Recommended minimum free length of cord or conduit is 4ft (1.2m). Electrical installations and grounding must be in accordance with all local codes and ordinances, and/or the National Electric Code, as applicable.

### PERMANENT CONNECTION (HARD WIRING)

- Units may be hard wired to the power supply. The installer must provide approved flexible aluminium conduit, 3/4" (19mm) trade size, maximum 6ft (1.8m) long. Locate the terminal block on the rear of the unit and remove access cover.
- The strain relief bracket orientation must be switched in order to accommodate for a permanent wiring connection. This is done by the following:
  - Remove the 4 screws on the bracket.
  - Re-secure bracket with the four screws so that the 1 1/8" (29mm) smaller opening is orientated over the opening of the back panel.



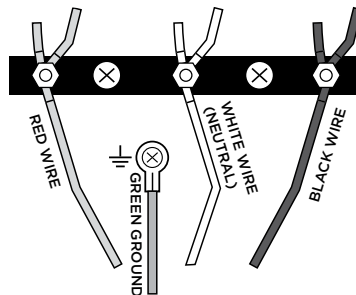
- The conduit must be installed to the terminal block using an approved conduit connector. The free end of the conduit must be connected to a junction box provided in the electrical supply zone.
- Mount a strain relief (not provided) into the 1 1/8" (29mm) diameter hole located below the terminal block. Wiring for the unit is to be brought into the terminal block through the conduit and through the strain relief. The ends of the wiring must have 1/4" faston closed loop lugs attached. Make suitable connections to the terminal block provided.
- Installer — Show the owner the location of the circuit breaker. Mark it for easy reference.*

### 4-CONDUCTOR CORD

- NORMALLY, A UNIT MUST BE CONNECTED TO THE POWER SUPPLY WITH A 3-POLE, 4-CONDUCTOR CORD KIT RATED 125/250 VOLTS, 50 AMPERES, AND MARKED FOR USE WITH RANGES.
- The cord kit must be attached to the range terminal block with a strain relief which will fit a 1-3/8" (35mm) diameter hole. If not already equipped, the cord must also have 1/4" (6mm) faston closed-loop lugs attached to the free ends of the individual conductors, preferably soldered in place.

#### 4-Wire Connection

- Remove upper nuts only from the terminal block studs. Do not remove lower nuts which secure range internal wiring leads.
- Mount strain relief (not provided with range) into the 1-3/8" (35mm) diameter hole in the bracket located below the terminal block. Route wires up through strain relief.
- Secure the Neutral (white) power lead, to the center stud (silver colored) of the terminal block with nut.
- Secure the L1 (black) and L2 (red) power leads to the outside terminal studs (brass colored) with nuts.
- Secure the Ground (green) power lead to the back of the range with the screw located beneath the terminal block.
- Tighten all connections securely.



- Reinstall the Terminal Block Cover.

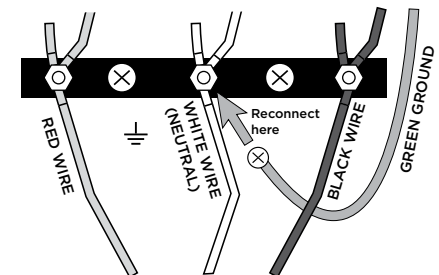
### 3-CONDUCTOR CORD

- WHERE LOCAL CODES AND ORDINANCES PERMIT GROUNDING THROUGH NEUTRAL, AND CONVERSION OF SUPPLY TO 4 WIRE IS IMPRACTICAL, UNIT MAY BE CONNECTED TO THE POWER SUPPLY WITH A 3-POLE, 3-CONDUCTOR CORD KIT RATED 125/250 VOLTS, 50 AMPERES, AND MARKED FOR USE WITH RANGES.

The cord kit must be attached to the range back panel with a strain relief which will fit a 1 3/8" (35mm) diameter hole. If not already equipped, the cord must also have 1/4" (6mm) faston closed-loop lugs attached to the free ends of the individual conductors.

#### 3-Wire Lead Connection

- Remove upper nuts only from the terminal block studs. Do not remove nuts which secure range internal wiring leads.
- Mount strain relief (not provided with range) into the 1 3/8" (35mm) diameter hole in the bracket located below the terminal block. Route wires up through strain relief.
- Secure the L1 (black) and L2 (red) power leads to the outside corresponding terminal block studs (brass colored).
- Secure the Neutral (white), grounded wire of the supply circuit and reconnect one end of the mounted looped Ground wire, located beneath terminal block, to the center stud (silver colored) of the terminal block with nut.
- Leave the other end of the Ground wire screwed into the back of the range.
- Tighten nuts securely.



- Reinstall the Terminal Block Cover.

**Gas requirements**

Verify the type of gas supplied to the location. The range is shipped from the factory set up and adjusted for Natural Gas or LP, depending on the specific model ordered.

**Verify that the range is compatible with gas supply at the installation site before proceeding further.** Return the range to the dealer if the unit is not set for the gas supplied at the site.

**NATURAL GAS**

- Connection: 1/2" NPT Minimum 5/8" dia. flex line. Supply Pressure: 6" to 9" W.C.

**LP Gas**

- Connection: 1/2" NPT Minimum 5/8" dia. flex line. Supply Pressure: 11" to 14" W.C.
- A regulator is required at the LP source to provide a maximum pressure of 14" W.C. to the range regulator.

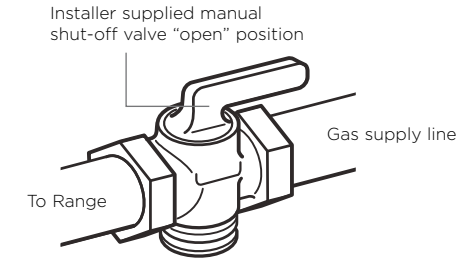
**Requirements for hook-up to gas supply**

- The gas supply connections should be made by a qualified technician in accordance with local codes or ordinances. In the absence of a local code, the installation must conform to the latest edition of National Fuel Gas Code ANSI Z.223.1 (Warning: this appliance must be installed by a licensed plumber or gas fitter when within the Commonwealth of Massachusetts).
- A manual shut-off valve (supplied by the installer) must be installed in an accessible location in the gas line external to the appliance for the purpose of turning on or shutting off gas to the appliance. (In Massachusetts such shut-off valves should be approved by the Board of State Examiners of Plumbers & Gas Fitters.) The shut-off valve must be located within 6 feet (1.8 meters) of the appliance it serves.

**IMPORTANT!**

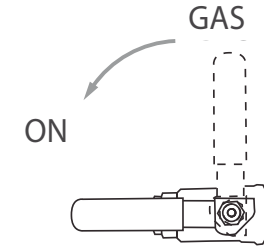
**Fisher & Paykel recommends installing the manual shutoff valve in a location readily accessible by the customer, so that gas to the appliance can be shut off in an emergency situation. However, the appliance must not be modified in any way to accommodate such placement.**

- The gas supply line must not protrude beyond the back of the appliance.
- Make sure the gas supply is turned off at the wall valve before connecting the appliance
- Leak-testing of the appliance shall be conducted according to the manufacturer's instructions. See instructions following.
- The appliance must be isolated from the building's gas supply piping system by closing its individual manual shut-off valve during any pressure testing of the gas supply piping system at test pressures equal to or less than 1/2 psig (3.5kPa.). The appliance and its individual shut-off valve must be disconnected from the gas supply piping system during any pressure testing of the system at the test pressures in excess of 1/2 psig (3.5kPa.). When checking the manifold gas pressure, the inlet pressure to the regulator should be at least 7.0" W.C. for natural gas or 12.0" for LP.
- The flex line for the gas supply must be metal and be approved for appliance use by a certifying agency (CSA, CGA, or UL). Never use a hose made of rubber or other synthetic material, as the heat may cause the hose to melt and develop leaks.
- When hooking up the gas supply from the wall hard pipe to the range hard pipe, installation length of flex line between range/wall hard piping must accommodate range being pulled from wall for cleaning or servicing purposes. When range is pulled from wall, no strain should occur at range or wall hard pipe connections.



## 16 LEAK TESTING

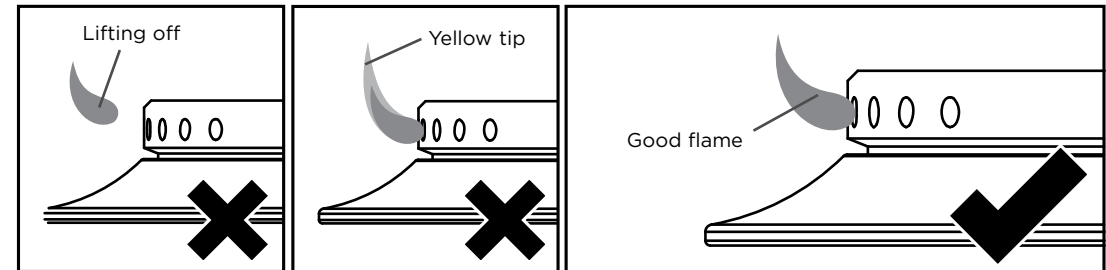
- Make sure all oven and burner knobs are set to OFF before connecting range to gas supply.
  - After final gas connection is made, turn gas supply on and test all connections in gas supply piping for gas leaks with a soapy water solution.
  - In order to avoid property damage or serious personal injury, never use a lighted match or open flame.
- If a leak is present, tighten joint or unscrew, apply more joint compound, tighten again and retest connection for leak.



## 17 COOKTOP BURNERS

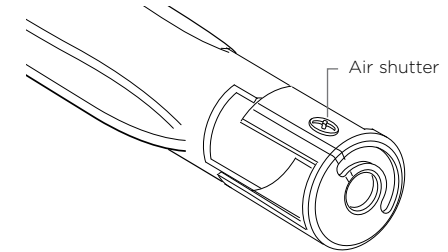
### Cooktop burners

- To check that the ignition system operates correctly, light each burner by itself, then all burners in combination.
- Check for a well-defined blue flame without any yellow tipping.
- If any abnormality is evident, check that the components of the burner assembly are located properly.
- When installing the burner port ring, align the two locating pins in the bottom side of the port ring with the locating notch and center holes on the top side of the simmer ring, and make sure these are properly engaged. Important! Incorrect installation may produce a potentially dangerous flame and result in poor burner performance.
- No air shutter adjustment is possible on the cooktop burners.
- Proper operation is achieved with factory installed settings for the correct gas type.
- If proper operation cannot be obtained, contact Customer Care or your nearest Fisher & Paykel Authorized Service Center.
- The range and cooktop must not be used by the customer until proper operation has been achieved.



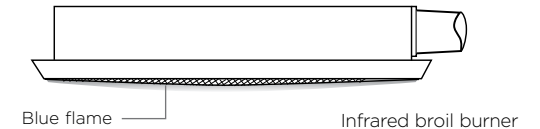
## 18 GRILL AND GRIDDLE BURNERS (SOME MODELS ONLY)

- Each valve and air shutter is individually tested and adjusted prior to shipment. Normally adjustment is not required, however, vibration during transit, gas conversion or variations in the local gas supply may make minor adjustments necessary.
- Check for the proper burner flame characteristics and adjust air shutters if necessary. Burner flames should be blue and stable with no yellow tips, excessive noise or lifting of the flame from the burner. If any of these conditions exist, check that the air shutter or burner ports are not blocked. If this condition persists, adjust the air shutter as required. If the flame is too yellow, indicating insufficient air, open the shutter to increase air inlet. If the flame is noisy or tends to lift away from the burner, indicating too much air, close the shutter to reduce air.



## 19 INFRARED BROIL AND OVEN BAKE BURNERS (RGV2 MODELS ONLY)

- The oven infrared broiler burner has no air shutter and is not adjustable.
- It is necessary to operate the oven broiler for 20-30 minutes to eliminate the harsh odor of the insulation binder. This must be done before using the range for the first time and with proper ventilation.
- The oven bake burner has an air shutter and is adjustable.
- Check for the proper burner flame characteristics. Burner flames should be blue and stable with no yellow tips, excessive noise or lifting of the flame from the burner. If any of these conditions exist, check that the air shutter (oven burner only) or burner ports are not blocked. If this condition persists, adjust the air shutter as required. If the flame is too yellow, indicating insufficient air, open the shutter to increase air inlet. If the flame is noisy or tends to lift away from the burner, indicating too much air, close the shutter to reduce air.
- After approximately 5-8 minutes of operation the burner screen should be glowing red.



### **IMPORTANT!**

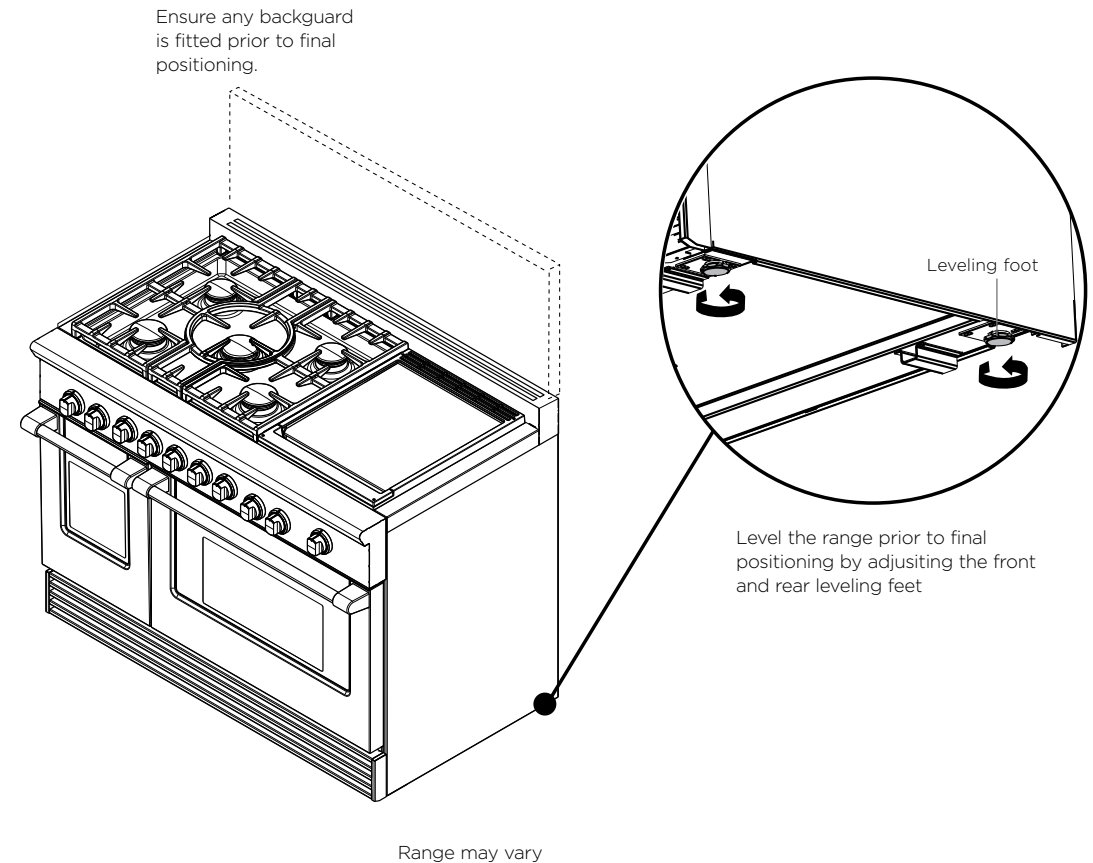
**For warranty coverage, Fisher & Paykel requires that all burner adjustments be made by a qualified technician at the time of installation. IMPROPER ADJUSTMENT WILL VOID YOUR WARRANTY.**

## 20 MOVING RANGE INTO POSITION

### Prior to final positioning

- Ensure the doors and kick panel are securely in place, if removed previously.
- Ensure any backguard is fitted prior to final positioning.
- Ensure all electrical and gas connections have been done as per instructions.
- Ensure flooring and adjacent cabinetry are also level. To achieve a flush fit of the range to adjoining countertops, it will be necessary to have level cabinets (front to back, and left to right across opening of the range).

- ① The range should be level, left to right and front to back. Level the range prior to final positioning by adjusting the front and rear leveling feet, as shown. First adjust the rear feet to align the rear of the range with the rear corners of the adjacent cabinetry.  
Note: The rear leveling feet are not accessible once the range is pushed into place.
- ① Once the range is in place, the front leveling feet can be accessed to level the front of the range.



## 21 INSTALLING THE ANTI-TIP BRACKET

All ranges must have an anti-tip device correctly installed as per the following instructions. If you pull the range out from the wall for any reason, make sure that the device is properly engaged when you push the range back against the wall. If it is not, there is a risk of the range tipping over and causing injury if you or a child stand, sit or lean on an open oven door.

### Included Parts

(4) #10 x 2" wood screws, (2) 5/16 x 1 -1/2" sleeve anchors, (2) lag bolts and washers and (1) Anti-tip bracket

### Installing the bracket

Instructions are provided for wood and concrete floors. Any other type of construction may require special installation techniques as deemed necessary to provide adequate fastening of the Anti-tip bracket to the floor and wall. The use of this bracket does not preclude tipping of the range when not properly installed.

### Wood substrate

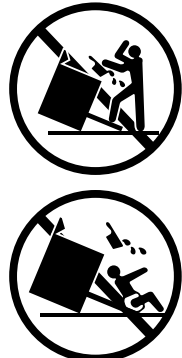
- 1 Place the bracket against the back wall, into the right rear corner where the range is to be located. Leave a gap between the wall (or side of range) and the bracket, as shown.
- 2 Drill (x2) 1/8" diameter pilot holes in the center of the small holes. A nail or awl may be used if a drill is not available.
- 3 Fasten the bracket securely to the floor and wall.

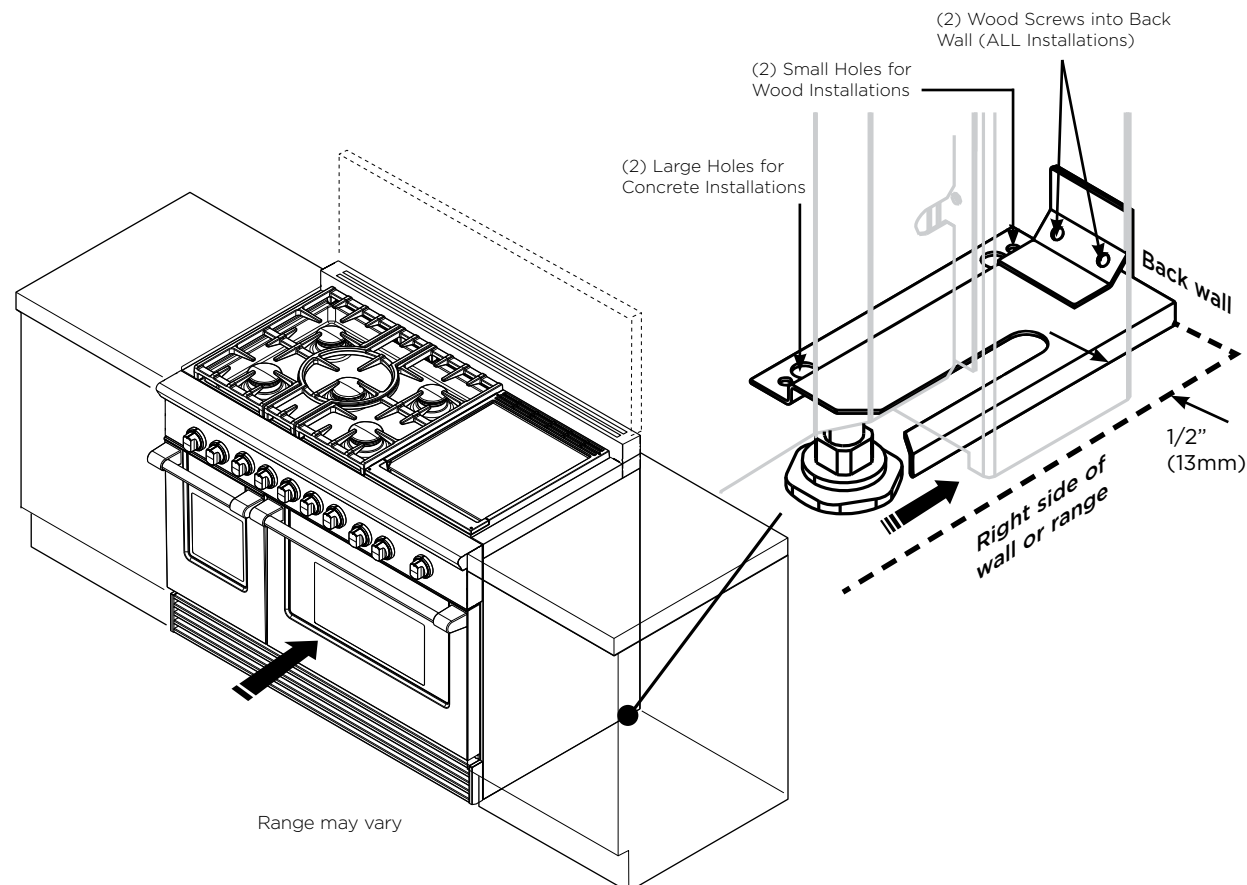
### Concrete or cement substrate

- 1 Locate the bracket as shown.
- 2 Using the bracket as a template, drill (x2) 5/16" diameter pilot holes in the center of the larger holes to a depth of at least 1 3/4".
- 3 Place the sleeve anchors into the holes and use a hammer to tap them all the way in.
- 4 Tighten the nuts on the sleeve anchors to fasten the bracket securely to the floor.

### Once Installed

Check for proper installation of the range and Anti-tip bracket by grasping the back of the range and carefully attempt to tilt it forward.

<b>⚠ WARNING!</b>	
	<p><b>To reduce the risk of tipping the appliance, the appliance must be secured by properly installed anti-tip device packed with the appliance.</b></p> <ul style="list-style-type: none"><li>• A child or adult can tip the range and be killed.</li><li>• Install the anti-tip device to the structure by fastening the supplied bracket to the floor and wall following the instructions for installing the anti-tip device.</li><li>• Engage the anti-tip device.</li><li>• Re-engage the anti-tip device if the range is moved.</li><li>• See installation instructions for details.</li></ul> <p><b>Failure to do so can result in death or serious burns to children of adults.</b></p>



✓ **TO BE COMPLETED BY THE INSTALLER**

**GENERAL**

- Placement of unit.
- Specified clearance maintained to cabinet surfaces.
- Unit Level – front to back, side to side.
- All packaging material and tie straps removed.
- Backguard attached if there is less than 6” (152mm) clearance to combustibles behind unit.
- Radiant tray placed in grill unit (if equipped). The grill grate is in place.

**ELECTRICAL**

- Receptacle with properly rated over-current protection is provided for service cord connection.
- Adequate ground connection.
- Front kick panel in place and two screws secure.

**GAS SUPPLY**

- Connection: 1/2 NPT with a minimum 5/8” diameter flex line. Site gas supply is compatible with range model, and sufficient pressure is available (see section ‘Gas connection’).
- The pressure regulator which is connected to the manifold is set for 5.0” W.C. for natural gas or 10.0” W.C. for LP.
- Manual gas shut-off valve installed in an accessible location.
- Unit tested and free of gas leaks.

**OPERATION**

- All internal packing materials removed. Check below the grate and inside the oven.
- If used on LP gas, verify that pressure regulator, orifice hoods, air shutters, and valve have been set for use with LP gas.
- Grill grate is seated and does not rock (if equipped).
- Knobs turn correctly and freely.
- Each burner lights satisfactorily, both individually and with other burners operating at the same time.
- Flame adjustment made on air shutter of each oven, griddle, or grill burner.
- Griddle is level and does not rock (if equipped).
- Oven door hinges seated and door opens and closes properly.
- Burner pan supports correctly positioned, level, and do not rock.
- Griddle flame correct.
- Grill flame correct.
- Cooktop burner flame correct.

Complete and keep for safe reference:

Model \_\_\_\_\_

Serial No. \_\_\_\_\_

Purchase Date \_\_\_\_\_

Purchaser \_\_\_\_\_

Dealer Address \_\_\_\_\_

Installer’s Name \_\_\_\_\_

Installer’s Signature \_\_\_\_\_

Installation Company \_\_\_\_\_

Installation Date \_\_\_\_\_





# **F I S H E R & P A Y K E L**

## **C U I S I N I È R E P R O F E S S I O N N E L L E**

---

Modèles  
RDV2 et RGV2

**GUIDE D'INSTALLATION**

**CA**

**591090D 01.18**

## **⚠ MISE EN GARDE!**

Le fait de ne pas suivre toutes les instructions de ce manuel peut provoquer un incendie ou une explosion causant des dommages matériels, des blessures ou la mort.

Ne rangez et n'utilisez pas de l'essence ou d'autres liquides et vapeurs inflammables à proximité de cet appareil ou de tout autre appareil.

N'utilisez JAMAIS cet appareil pour chauffer une pièce. Il pourrait causer un empoisonnement au monoxyde de carbone et surchauffer.

### **QUE FAIRE SI VOUS DÉCELEZ UNE ODEUR DE GAZ**

- Ne tentez d'allumer aucun appareil.
- Ne touchez à aucun interrupteur électrique.
- N'utilisez aucun téléphone dans l'édifice.
- Appelez immédiatement votre fournisseur de gaz en utilisant le téléphone d'un voisin. Suivez les consignes du fournisseur de gaz.
- S'il vous est impossible de joindre votre fournisseur de gaz, appelez le service d'incendie.

L'installation et l'entretien doivent être effectués par un installateur qualifié, un centre d'entretien ou le fournisseur de gaz.

**⚠ MISE EN GARDE!**



**Risque de choc électrique**  
 Avant de procéder à tout travail sur la section électrique de l'appareil, vous devez déconnecter celui-ci de l'alimentation électrique. La connexion à un système de mise à la terre convenable est absolument essentielle et obligatoire.  
 Les modifications au système de câblage domestique doivent être effectuées uniquement par un électricien qualifié.  
 Le non-respect de cette consigne peut entraîner un choc électrique ou la mort.

**⚠ MISE EN GARDE!**



**Risque de coupure**  
 Attention, les bords du panneau sont tranchants. Des blessures ou des coupures peuvent survenir si vous ne faites pas preuve de prudence.



Pour réduire les risques de basculement de l'appareil, vous devez fixer celui-ci en installant correctement le dispositif antibasculement emballé avec l'appareil.

- Un enfant ou adulte pourrait faire basculer la cuisinière et subir des blessures mortelles.
- Installez le dispositif antibasculement à la structure en fixant le support fourni au plancher et au mur, en suivant les instructions d'installation du dispositif antibasculement.
- Enclenchez le dispositif antibasculement.
- Réenclenchez le dispositif antibasculement après tout déplacement de la cuisinière.
- Consultez les instructions d'installation pour plus de détails.

Le non-respect de ces consignes peut causer la mort ou des brûlures graves à des enfants ou adultes.



**⚠ MISE EN GARDE!**



**420-630 lb  
190-285 kg**

**Appareil extrêmement lourd**  
 Un équipement convenable et un nombre suffisant de personnes sont requis lors du déplacement de la cuisinière pour réduire les risques de blessures et de dommages à l'appareil ou au plancher. L'appareil est lourd et repose sur des pattes en acier ajustables.  
 Le non-respect de cette consigne peut entraîner des dommages ou des blessures.

**CONSIGNES DE SÉCURITÉ IMPORTANTES!**

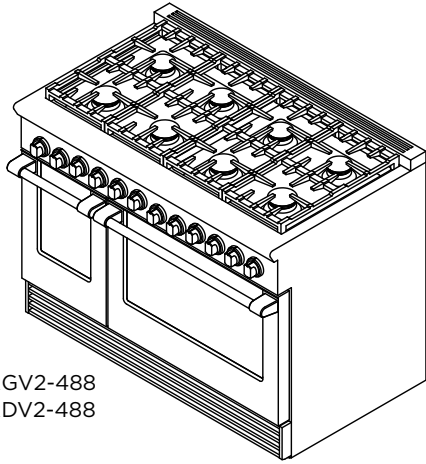
- Conservez ces instructions pour permettre aux inspecteurs locaux de les consulter.
- Pour réduire les risques de danger, suivez attentivement ces instructions avant d'installer ou utiliser cet appareil.
- Remettez ces instructions à la personne qui installera l'appareil; cela pourrait réduire vos coûts d'installation.
- Cette cuisinière doit être installée et raccordée à l'alimentation électrique uniquement par un technicien autorisé.
- Si l'installation nécessite des modifications au système électrique domestique, appelez un électricien qualifié. L'électricien doit également vérifier que la section du câble connecteur convient à la consommation de courant électrique de la cuisinière.
- Les travaux d'entretien ou de réparation doivent être effectués uniquement par des techniciens autorisés. Les techniciens doivent déconnecter l'alimentation électrique avant d'effectuer un entretien ou une réparation.
- La cuisinière doit être mise à la terre.
- L'installation doit être conforme aux règlements de construction et codes d'électricité locaux.
- Cet appareil doit être installé et raccordé à l'alimentation électrique uniquement par une personne qualifiée, conformément à ces instructions d'installation et en respectant tous les règlements de construction et codes d'électricité locaux en vigueur. Le fait de ne pas installer l'appareil de façon adéquate pourrait entraîner l'annulation de toute garantie ou réclamation.
- Veillez à ce que l'installateur indique au client l'emplacement du robinet d'arrêt de l'alimentation en gaz.
- Si le câble d'alimentation électrique est endommagé, vous devez le faire remplacer par le fabricant, un agent de service ou une personne possédant des compétences similaires afin d'éviter tout danger.
- Un disjoncteur est recommandé.
- N'utilisez pas d'adaptateurs, de raccords réducteurs ou de dispositifs de branchement pour raccorder la cuisinière à l'alimentation électrique, car ils pourraient causer une surchauffe et des brûlures.
- Les travaux d'installation, de modification, de maintenance ou d'entretien incorrects peuvent causer des dommages matériels, des blessures ou la mort. Lisez attentivement les instructions d'installation, d'utilisation et d'entretien avant d'utiliser, installer ou effectuer l'entretien de cet appareil.
- L'appareil pourrait basculer s'il n'est pas installé conformément aux instructions d'installation.
- N'obstruez PAS la circulation d'air de combustion ou de ventilation de l'appareil. Veillez à ce qu'une alimentation en air frais soit disponible.
- Proposition 65 de la Californie - La combustion de combustibles de cuisson génère des sous-produits qui sont reconnus par l'État de Californie comme étant cancérigènes ou sources d'anomalies congénitales. Les lois de Californie exigent que les entreprises avertissent les clients de l'exposition potentielle à de telles substances. Pour minimiser l'exposition à ces substances, faites toujours fonctionner l'appareil conformément aux instructions du fabricant et assurez une ventilation adéquate dans la pièce lorsque vous cuisinez au gaz.
- Consultez les codes locaux du bâtiment pour connaître la méthode d'installation appropriée de la cuisinière. Les codes locaux peuvent varier. L'installation, les raccordements électriques et la mise à la terre doivent être conformes à tous les codes applicables. En l'absence de codes locaux, la cuisinière doit être installée conformément à la dernière édition du National Fuel Gas Code ANSI Z223.1 et au Code national de l'électricité ANSI / NFPA 70.
- Au Canada : L'installation doit être effectuée en conformité avec les normes CAN/CGA B149.1 et 2 en vigueur des Codes d'installation de gaz et/ou les codes locaux. L'installation électrique doit être effectuée en conformité avec la norme CSA C22.1 en vigueur du Code canadien de l'électricité, Première partie, et/ou les codes locaux.
- Assurez-vous que l'appareil à installer est configuré pour le type de gaz utilisé. La cuisinière au gaz est réglée en usine pour fonctionner au gaz naturel ou gaz de pétrole liquéfié (propane), selon le modèle spécifique commandé. Vérifiez que la cuisinière est compatible avec le type de gaz disponible sur le site d'installation avant de poursuivre. Retournez la cuisinière au détaillant si l'appareil n'est pas réglé pour l'alimentation en gaz sur le site.

**IMPORTANT!  
CONSERVEZ CES INSTRUCTIONS**

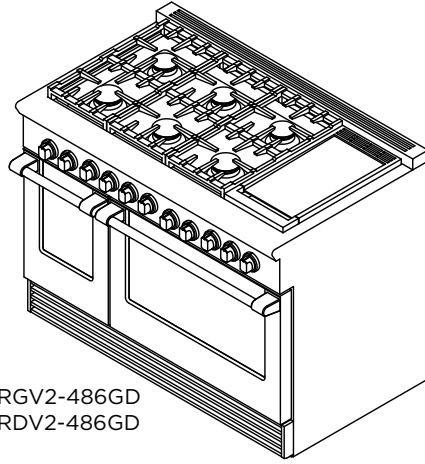
Les modèles illustrés dans ce guide d'installation peuvent ne pas être disponibles dans tous les pays et sont sujets à modifications sans préavis. Pour les plus récentes informations sur la disponibilité des modèles et des caractéristiques dans votre pays, veuillez visiter notre site Web [www.fisherpaykel.com](http://www.fisherpaykel.com) ou contacter votre détaillant Fisher & Paykel local.

## ② IDENTIFICATION DU MODÈLE

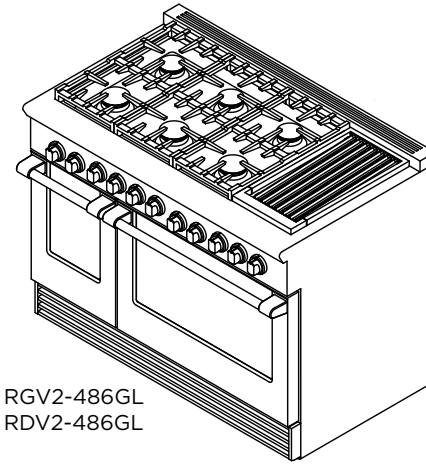
### MODÈLES 48"



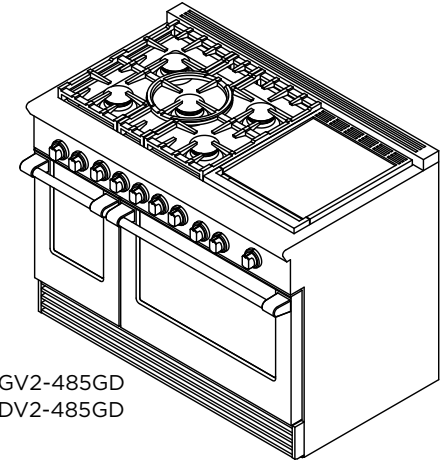
RGV2-488  
RDV2-488



RGV2-486GD  
RDV2-486GD

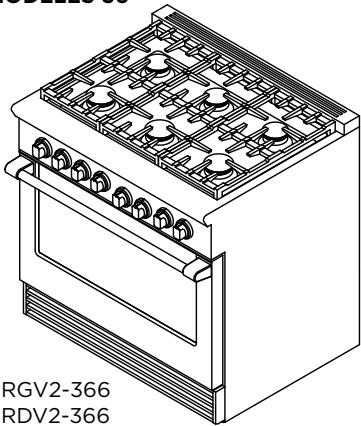


RGV2-486GL  
RDV2-486GL

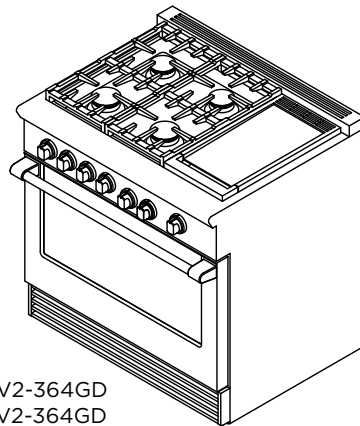


RGV2-485GD  
RDV2-485GD

### MODÈLES 36"

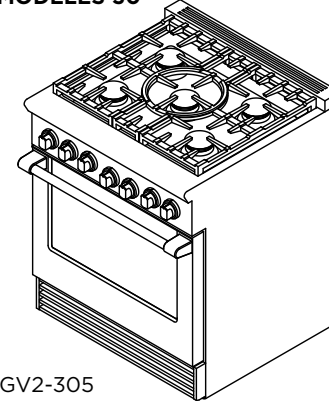


RGV2-366  
RDV2-366

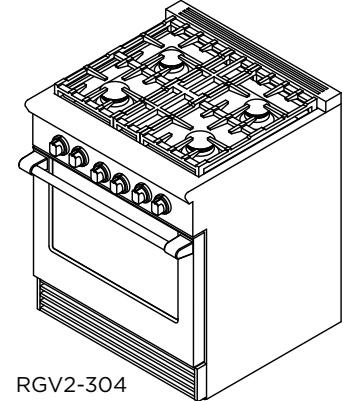


RGV2-364GD  
RDV2-364GD

### MODÈLES 30"



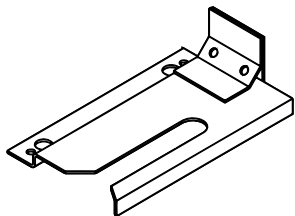
RGV2-305  
RDV2-305



RGV2-304  
RDV2-304

### ③ PIÈCES FOURNIES POUR L'INSTALLATION

---



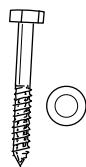
Support antibasculement (1)



Vis à bois  
n° 10 x 2" (4)



Ancrages à douille  
5/16" x 1 1/2" (2)



Tirefonds et  
rondelles (2)

### ④ DÉBALLAGE ET MANUTENTION DE LA CUISINIÈRE

---

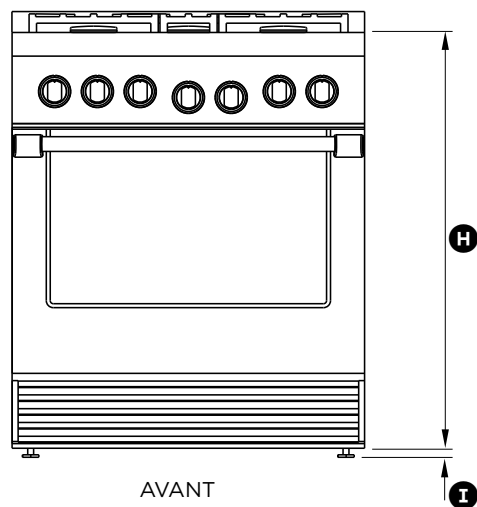
#### Déballage et manutention

- Inspectez le produit pour vous assurer qu'aucun dommage n'a été causé lors de l'expédition. En cas de dommage, communiquez avec l'expéditeur pour effectuer une demande d'indemnisation. Fisher & Paykel n'est pas responsable des dommages causés lors de l'expédition.
- NE METTEZ PAS au rebut les matériaux d'emballage (boîte, palette, sangles) avant d'avoir terminé l'inspection de l'appareil.
- Retirez la boîte extérieure et tous les matériaux d'emballage de la plateforme d'expédition.

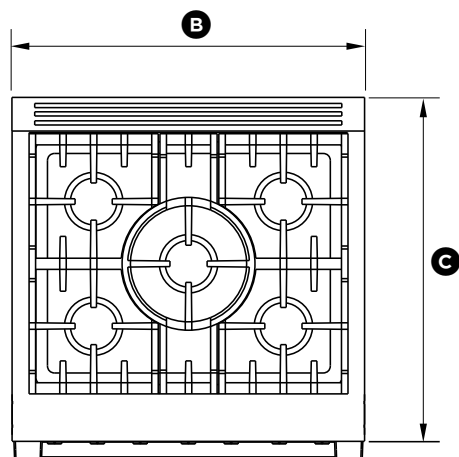
#### **IMPORTANT!**

- **NE soulevez PAS la cuisinière par les poignées de porte du four!**
- **NE retirez PAS les assemblages de gril ou plaque de cuisson!**

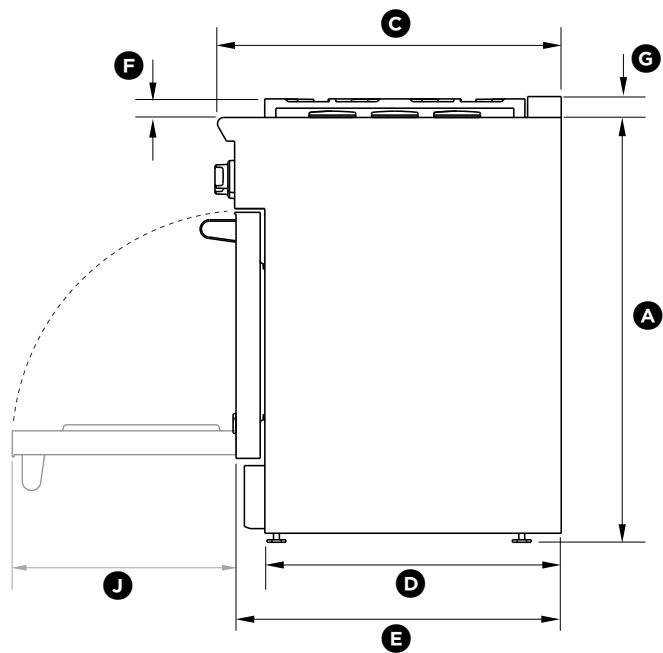
## 5 DIMENSIONS DU PRODUIT - MODÈLES 30"



AVANT



PLAN

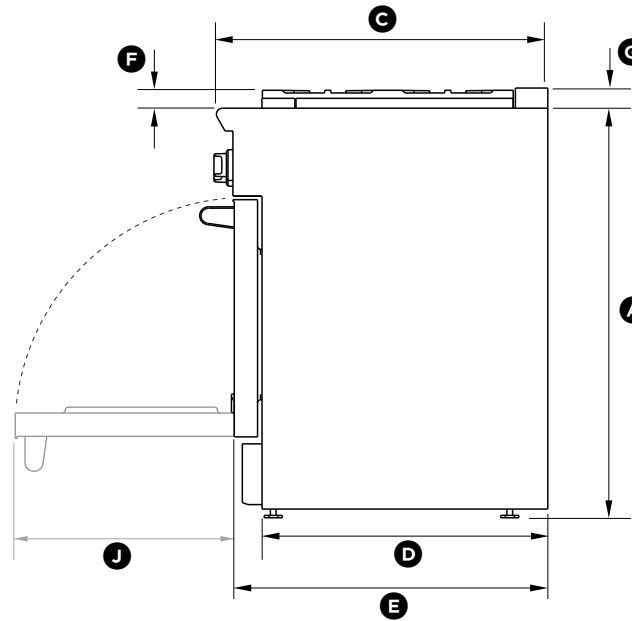
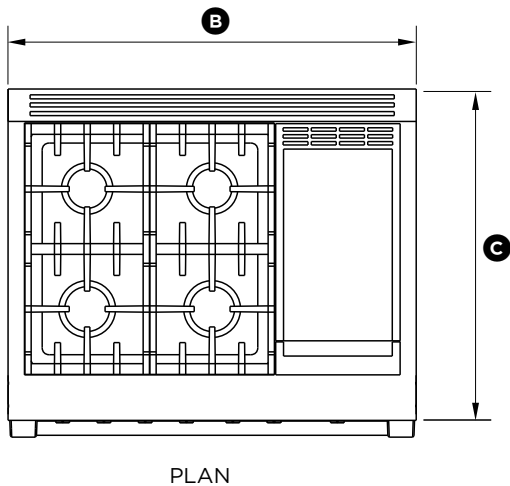
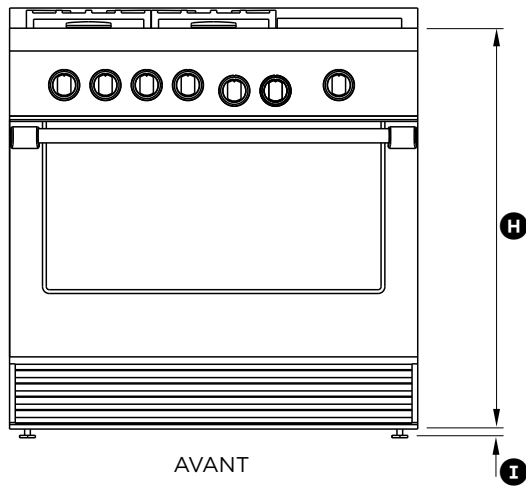


PROFIL

Modèle RGV2-305 présenté uniquement à titre indicatif

DIMENSIONS DU PRODUIT		MODÈLES 30"
		pouces (mm)
(A)	Hauteur hors tout de la cuisinière (du sol à la surface de cuisson, excluant les pièces d'appui et la garniture d'évent)	min. 35 3/4" (908) max. 36 3/4" (933)
(B)	Largeur hors tout de la cuisinière	29 7/8" (759)
(C)	Profondeur hors tout de la cuisinière (excluant la poignée et les boutons)	29 1/8" (740)
(D)	Profondeur de l'arrière du châssis jusqu'au devant des armoires - panneau de commande en saillie	25 1/8" (638)
(E)	Profondeur de l'arrière du châssis jusqu'au devant des armoires - panneau de commande au même niveau que les armoires	27 11/16" (703)
(F)	Hauteur entre le dessus du comptoir et le dessus des pièces d'appui	1 9/16" (40)
(G)	Hauteur entre le dessus du comptoir et le dessus - de la garniture d'évent (le cas échéant) - garniture d'évent inclinée (le cas échéant)	1 3/4" (45) 3 1/2" (90)
(H)	Hauteur entre le dessus du comptoir et le dessous du châssis	35 1/4" (895)
(I)	Hauteur des pattes ajustables	min. 1/2" (13) max. 1 1/2" (38)
(J)	Profondeur de la porte ouverte jusqu'au panneau de commande avant	19 1/8" (486)

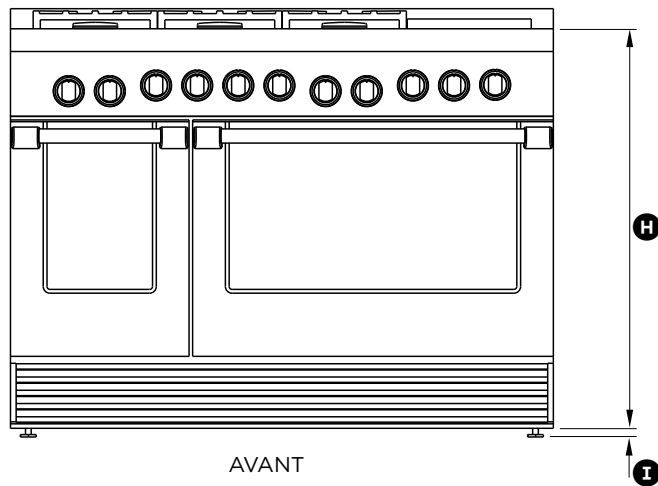
## 5 DIMENSIONS DU PRODUIT - MODÈLES 36"



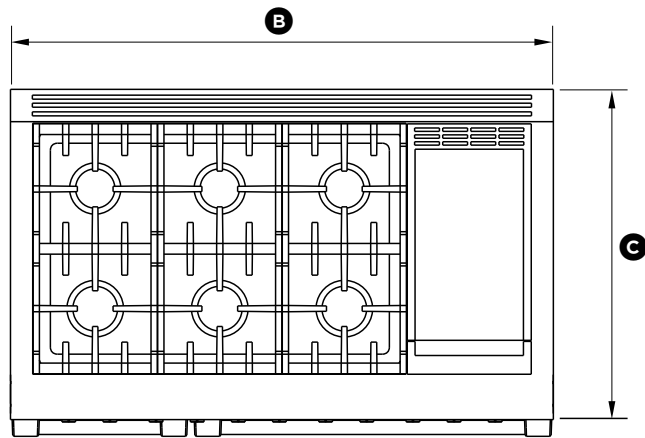
Modèle RGV2-364GD présenté uniquement à titre indicatif

DIMENSIONS DU PRODUIT		MODÈLES 36"
		pouces (mm)
(A)	Hauteur hors tout de la cuisinière (du sol à la surface de cuisson, excluant les pièces d'appui et la garniture d'évent)	min. 35 3/4" (908) max. 36 3/4" (933)
(B)	Largeur hors tout de la cuisinière	35 7/8" (911)
(C)	Profondeur hors tout de la cuisinière (excluant la poignée et les boutons)	29 1/8" (740)
(D)	Profondeur de l'arrière du châssis jusqu'au devant des armoires - panneau de commande en saillie	25 1/8" (638)
(E)	Profondeur de l'arrière du châssis jusqu'au devant des armoires - panneau de commande au même niveau que les armoires	27 11/16" (703)
(F)	Hauteur entre le dessus du comptoir et le dessus des pièces d'appui	1 9/16" (40)
(G)	Hauteur entre le dessus du comptoir et le dessus - de la garniture d'évent (le cas échéant) - garniture d'évent inclinée (le cas échéant)	1 3/4" (45) 3 1/2" (90)
(H)	Hauteur entre le dessus du comptoir et le dessous du châssis	35 1/4" (895)
(I)	Hauteur des pattes ajustables	min. 1/2" (13) max. 1 1/2" (38)
(J)	Profondeur de la porte ouverte jusqu'au panneau de commande avant	19 1/8" (486)

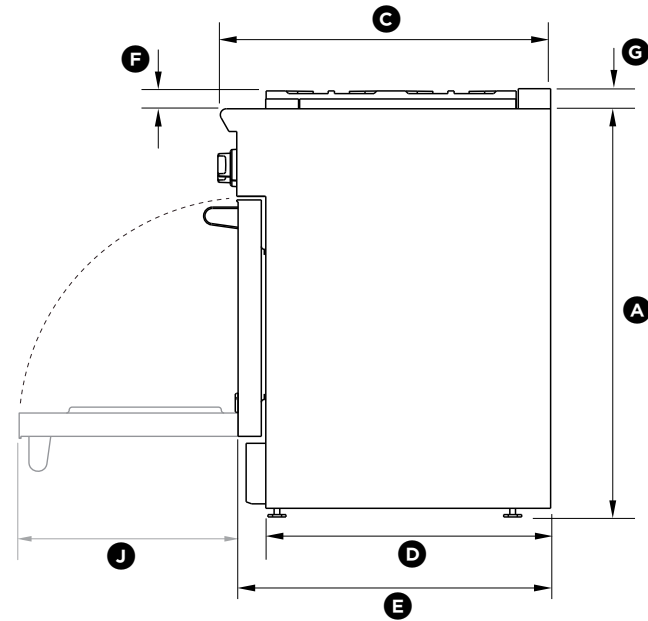
## 5 DIMENSIONS DU PRODUIT - MODÈLES 48"



AVANT



PLAN



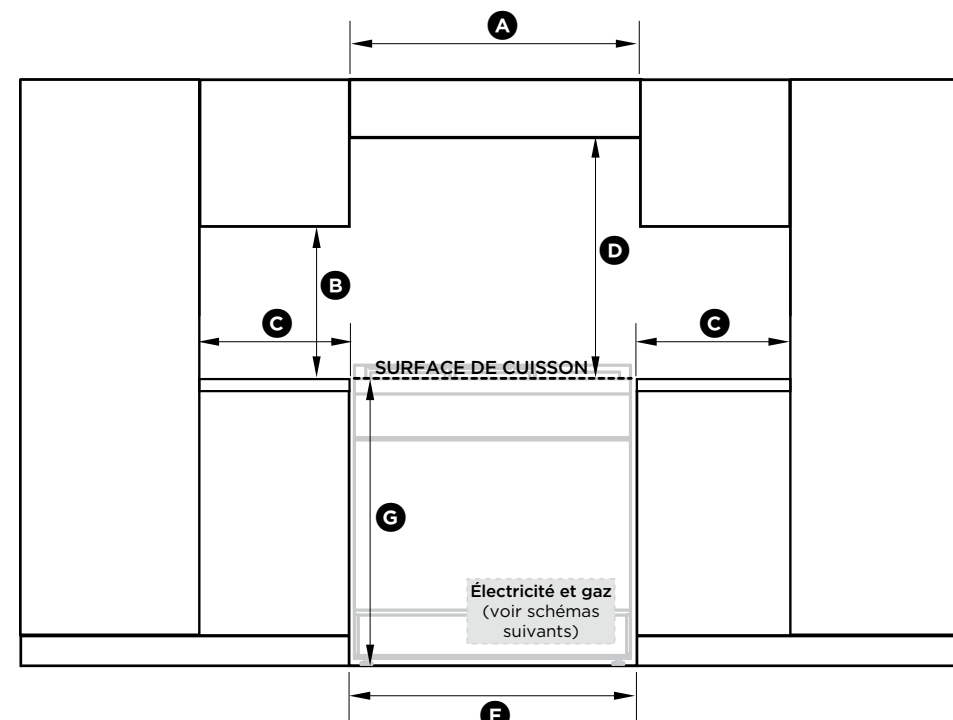
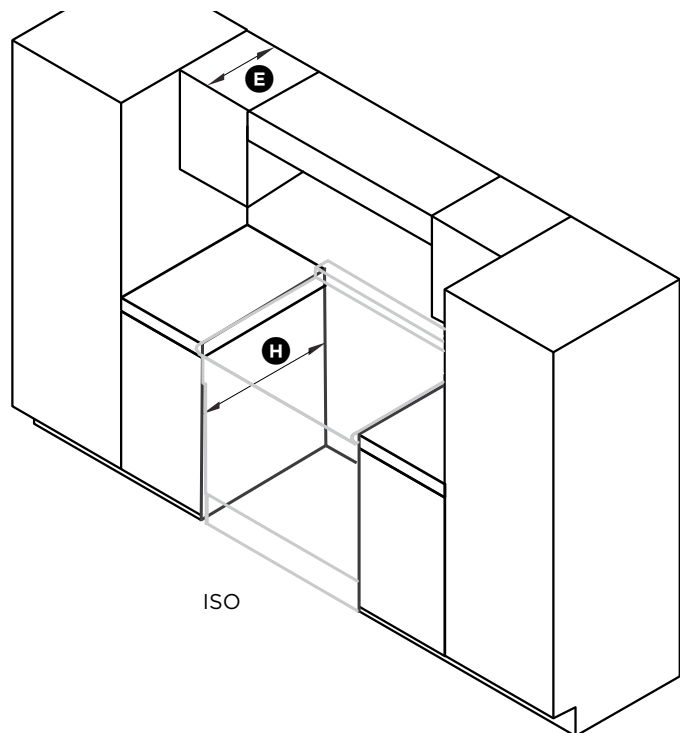
PROFIL

Modèle RGV2-486GD présenté uniquement à titre indicatif

DIMENSIONS DU PRODUIT		MODÈLES 48"
		pouces (mm)
(A)	Hauteur hors tout de la cuisinière (du sol à la surface de cuisson, excluant les pièces d'appui et la garniture d'évent)	min. 35 3/4" (908) max. 36 3/4" (933)
(B)	Largeur hors tout de la cuisinière	47 7/8" (1 216)
(C)	Profondeur hors tout de la cuisinière (excluant la poignée et les boutons)	29 1/8" (740)
(D)	Profondeur de l'arrière du châssis jusqu'au devant des armoires - panneau de commande en saillie	25 1/8" (638)
(E)	Profondeur de l'arrière du châssis jusqu'au devant des armoires - panneau de commande au même niveau que les armoires	27 11/16" (703)
(F)	Hauteur entre le dessus du comptoir et le dessus des pièces d'appui	1 9/16" (40)
(G)	Hauteur entre le dessus du comptoir et le dessus - de la garniture d'évent (le cas échéant) - garniture d'évent inclinée (le cas échéant)	1 3/4" (45) 3 1/2" (90)
(H)	Hauteur entre le dessus du comptoir et le dessous du châssis	35 1/4" (895)
(I)	Hauteur des pattes ajustables	min. 1/2" (13) max. 1 1/2" (38)
(J)	Profondeur de la porte ouverte jusqu'au panneau de commande avant	19 1/8" (486)



## ⑥ DIMENSIONS DE DÉGAGEMENT - TOUS LES MODÈLES



DIMENSIONS DE DÉGAGEMENT	MODÈLES 30"	MODÈLES 36"	MODÈLES 48"
	pouces (mm)	pouces (mm)	pouces (mm)
Ⓐ Largeur minimale de la hotte de ventilation installée au-dessus de la cuisinière	30" (762)	36" (914)	48" (1 219)
Ⓑ Distance verticale minimale entre le comptoir et une armoire au-dessus du comptoir	18" (457)	18" (457)	18" (457)
Ⓒ Dégagement minimal entre les côtés gauche et droit de la cuisinière et la surface combustible verticale la plus proche	12" (305)	12" (305)	12" (305)
Ⓓ Dégagement minimal entre la surface de cuisson et : - une <b>surface combustible</b> centrée au-dessus de la surface de cuisson - Revêtement <b>combustible</b> pour hotte de ventilation centré au-dessus de la surface de cuisson - une <b>surface incombustible*</b> centrée au-dessus de la surface de cuisson	54" (1 372)	54" (1 372)	54" (1 372)
	36" (914)	36" (914)	36" (914)
	30" (762)	30" (762)	30" (762)
Ⓔ Profondeur hors tout maximale des armoires suspendues	13" (330)	13" (330)	13" (330)
Ⓕ Largeur de l'ouverture entre les armoires	30" (762)	36" (914)	48" (1 219)
Ⓖ Hauteur maximale du sol au comptoir : - pour un comptoir de niveau - avec pattes de nivellement de la cuisinière entièrement déployées	35 3/4" (908)	35 3/4" (908)	35 3/4" (908)
	36 3/4" (933)	36 3/4" (933)	36 3/4" (933)
Ⓗ Profondeur maximale, du mur jusqu'au devant des armoires : - panneau de commande en saillie - panneau de commande au même niveau que les armoires	25 1/8" (638)	25 1/8" (638)	25 1/8" (638)
	27 11/16" (703)	27 11/16" (703)	27 11/16" (703)

AVANT

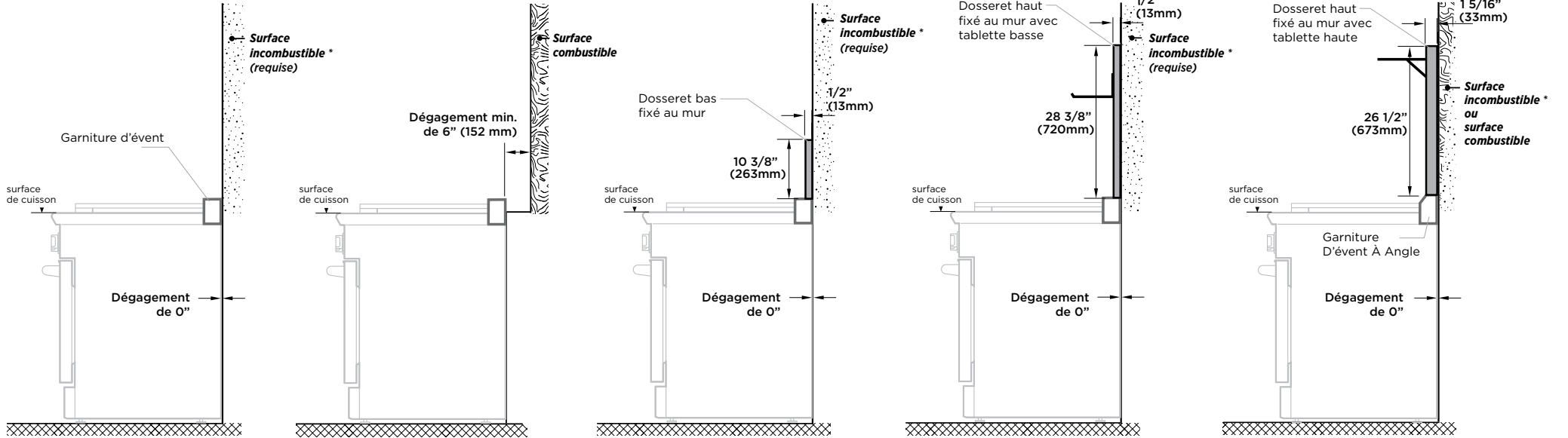
### Remarques

- Si la cuisinière doit être placée à côté d'armoires, respectez les mesures de dégagement indiquées. Les mêmes mesures de dégagement s'appliquent aux installations en îlot.
- La cuisinière peut être placée de diverses façons par rapport au devant de l'armoire, avec le panneau de commande au même niveau ou en saillie, selon la profondeur des armoires.
- Les alimentations en électricité et gaz doivent se trouver dans les zones indiquées sur les schémas suivants.
- Toute ouverture dans le mur derrière la cuisinière et dans le plancher sous celle-ci doit être scellée.
- Gardez toujours la zone à proximité de l'appareil dégagée et exempte de matériaux combustibles, d'essence et d'autres liquides et vapeurs inflammables.
- N'obstruez pas la circulation d'air de combustion et de ventilation de l'appareil.

\* Surfaces incombustibles : telles que définies dans le 'National Fuel Gas Code' (ANSI Z223.1, édition actuelle). Les mesures de dégagement pour les matériaux incombustibles ne sont pas spécifiées dans la norme ANSI Z21.1 ni certifiées par UL. Les mesures de dégagement inférieures à 6" (152 mm) doivent être approuvées par les codes locaux et/ou les autorités locales compétentes.

# 7 SCÉNARIOS D'INSTALLATION ET UTILISATION DE DOSSERETS

## INSTALLATION AU MUR



Scénario 1  
**AUCUN DOSSERET UTILISÉ**  
 Garniture d'évent plate intégrale ou  
 Garniture d'évent plate à angle  
 (modèles RGCV2-305 uniquement)  
 (fournie avec la cuisinière)

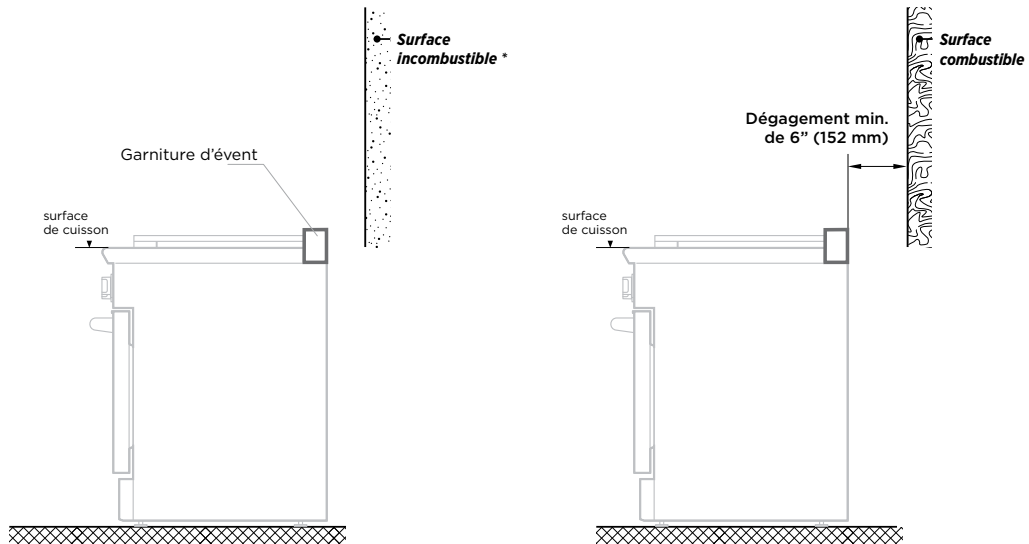
Scénario 2  
**AUCUN DOSSERET UTILISÉ**  
 Garniture d'évent plate intégrale ou  
 Garniture d'évent plate à angle  
 (modèles RGCV2-305 uniquement)  
 (fournie avec la cuisinière)

Scénario 3  
**DOSSERET BAS FIXÉ  
 À LA CUISINIÈRE**  
 (vendu séparément)

Scénario 4  
**DOSSERET HAUT FIXÉ AU MUR AVEC  
 TABLETTE BASSE**  
 (vendu séparément)

Scénario 5  
**ENSEMBLE DE DOSSERET HAUT FIXÉ AU MUR  
 AVEC TABLETTE HAUTE ET  
 GARNITURE D'ÉVENT À ANGLE**  
 (vendu séparément)

## INSTALLATION EN ÎLOT



Scénario 6  
**AUCUN DOSSERET UTILISÉ**  
 Garniture d'évent plate intégrale ou Garniture d'évent plate à angle  
 (modèles RGCV2-305 uniquement)  
 (fournie avec la cuisinière)

Scénario 7  
**AUCUN DOSSERET UTILISÉ**  
 Garniture d'évent plate intégrale ou Garniture d'évent plate à angle  
 (modèles RGCV2-305 uniquement)  
 (fournie avec la cuisinière)

### Remarques importantes

- Toutes les cuisinières sont fournies avec une garniture d'évent plate intégrale.
- Voici les trois différents dossierers qu'il est possible d'acheter :
  - Dossierer bas fixé à la cuisinière
  - Dossierer haut fixé au mur avec tablette basse
  - Dossierer haut fixé au mur avec tablette haute, également fourni avec une garniture d'évent à angle.
- Pour les **installations sur des surfaces incombustibles\* uniquement**, vous pouvez installer la cuisinière sans dossierer ou choisir n'importe lequel des trois dossierers.
- Pour les **installations à proximité de surfaces combustibles (au-dessus de la surface de cuisson)**, sans dossierer, vous devez prévoir un dégagement minimum de 6" (152 mm) (voir Scénario 2 ou 7 contraire)
- Pour les **installations immédiatement sur des surfaces combustibles (au-dessus de la surface de cuisson)**, vous devez acheter et installer le dossierer haut fixé au mur avec tablette haute et la garniture d'évent à angle (voir Scénario 5 contraire)
- La surface de cuisson doit être au même niveau que le comptoir adjacent ou au-dessus de celui-ci.

\* Surfaces incombustibles :

telles que définies dans le 'National Fuel Gas Code' (ANSI Z223.1, édition actuelle). Les mesures de dégagement pour les matériaux incombustibles ne sont pas spécifiées dans la norme ANSI Z21.1 ni certifiées par UL. Les mesures de dégagement inférieures à 6" (152 mm) doivent être approuvées par les codes locaux et/ou les autorités locales compétentes.

### NUMÉROS DE MODÈLES DE DOSSERETS

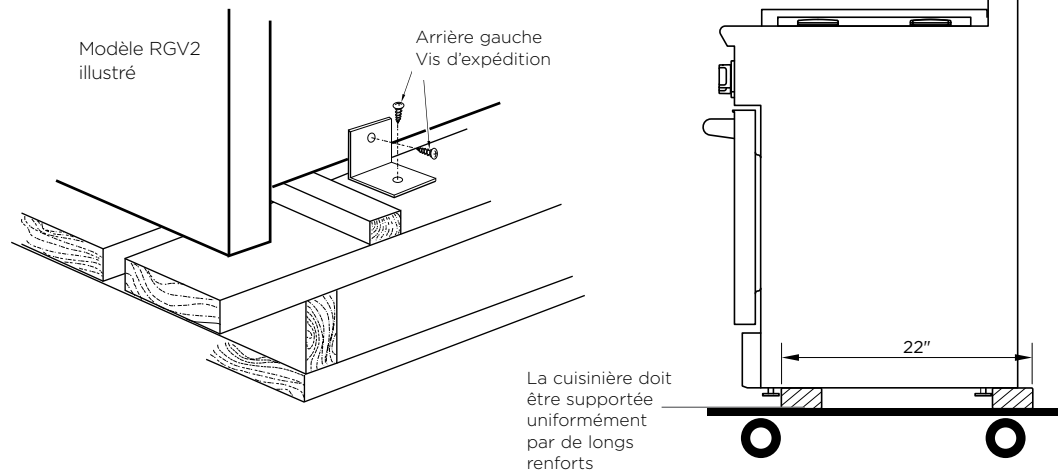
CUISINIÈRE	DOSSERET BAS FIXÉ À LA CUISINIÈRE	DOSSERET HAUT FIXÉ AU MUR AVEC TABLETTE BASSE	DOSSERET HAUT FIXÉ AU MUR AVEC TABLETTE HAUTE	LARGEUR DE DOSSERET
Modèles 30"	BGRV2-1230	BGRV2-3030	BGRV2-3030H	29 7/8" (759 mm)
Modèles 36"	BGRV2-1236	BGRV2-3036	BGRV2-3036H	35 7/8" (911 mm)
Modèles 48"	BGRV2-1248	BGRV2-3048	BGRV2-3048H	47 7/8" (1 216 mm)

**Remarque : Pour plus d'informations sur l'installation du dossierer, consultez les instructions distinctes fournies avec votre dossierer. Vous pouvez également télécharger les instructions d'installation du dossierer à partir de notre site Web [www.fisherpaykel.com](http://www.fisherpaykel.com)**



## 9 RETIREZ L'APPAREIL DE LA PLATEFORME ET PLACEZ-LE SUR UN CHARIOT

- Le poids à l'expédition des cuisinières varie de 420 à 630 lb, moins environ 50 lb après le retrait des matériaux d'emballage. Il est recommandé de retirer la ou les porte(s) du four, les pièces d'appui et le panneau de plinthe avant pour faciliter la manutention, réduire le poids et permettre le passage dans certaines portes :
- Avec la ou les porte(s) retirée(s), une ouverture de 29 1/2" de large est requise. Sans retirer la ou les porte(s), une ouverture de 32" de large est requise.
- La cuisinière est retenue à l'avant de la plateforme par deux boulons (modèles RGV2/RDV2) situés derrière le panneau de plinthe, et à l'arrière par deux boulons (modèles RDV2) situés derrière le panneau métallique arrière, ou deux supports en L (modèles RGV2) situés sur la bride inférieure à l'arrière de la cuisinière.
- Une fois les boulons et les supports enlevés, soulevez la cuisinière pour la retirer de la plateforme.
- En raison de son poids important, utilisez un chariot avec roues souples pour déplacer cet appareil. Le poids doit être supporté de manière uniforme sur toute la partie inférieure, comme illustré.
- La cuisinière doit être transportée par chariot jusqu'à son emplacement final.
- Protégez le plancher (lattes de bois, tapis, panneaux, etc.) sous les pattes avant de pousser l'appareil sur son emplacement final.



## 10 POUR RETIRER ET RÉINSTALLER LE PANNEAU DE PLINTHE

### Pour retirer le panneau de plinthe

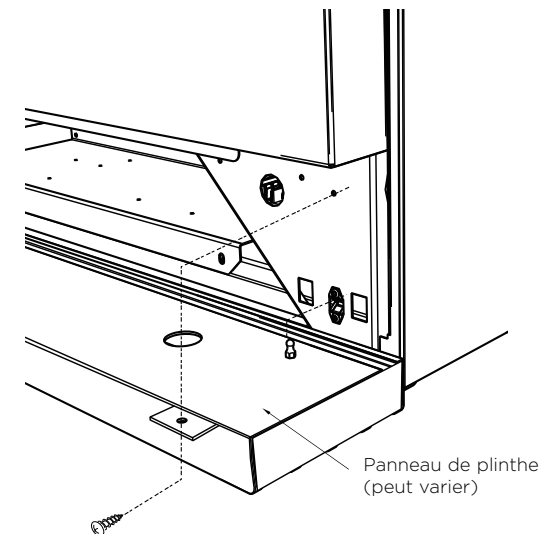
- Retirez les deux vis du haut et tirez vers l'avant.

### Pour réinstaller le panneau de plinthe

- Remettez en place le panneau de plinthe en suivant la procédure dans l'ordre inverse pour réinstaller les deux vis du haut sur les deux côtés.

### IMPORTANT!

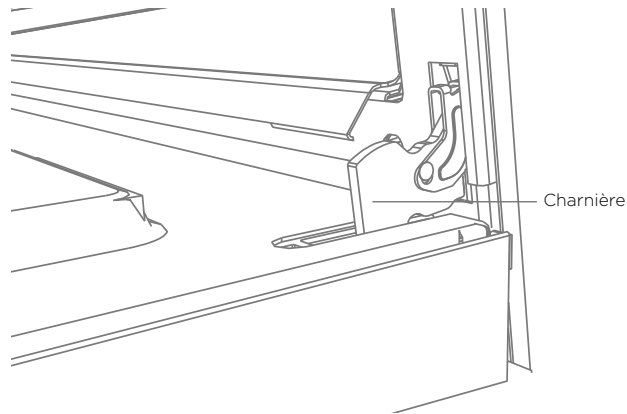
Il est important que les deux vis servant à retenir le panneau de plinthe soient bien fixées pour empêcher tout accès accidentel aux composants électriques et fils sous tension.



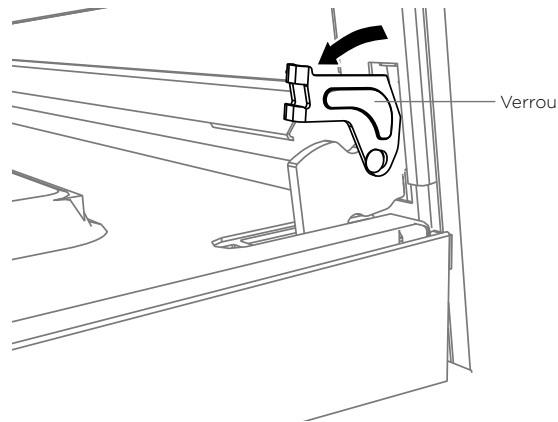
## 11 POUR RETIRER LA OU LES PORTE(S) DU FOUR

### IMPORTANT!

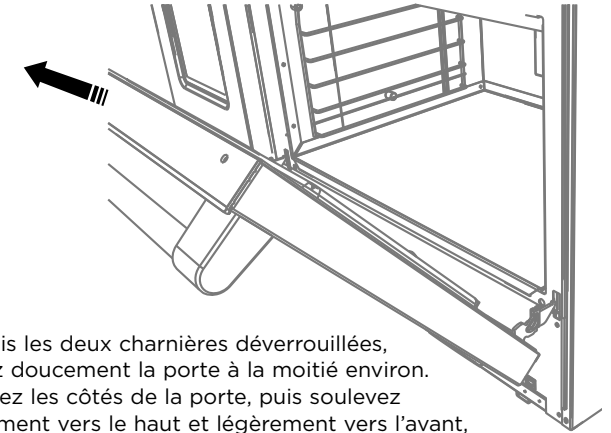
Ne soulevez pas la porte du four par la poignée, car cela l'endommagerait.  
Assurez-vous que le four et la porte sont froids avant de commencer à retirer la porte.



① Ouvrez complètement la porte.

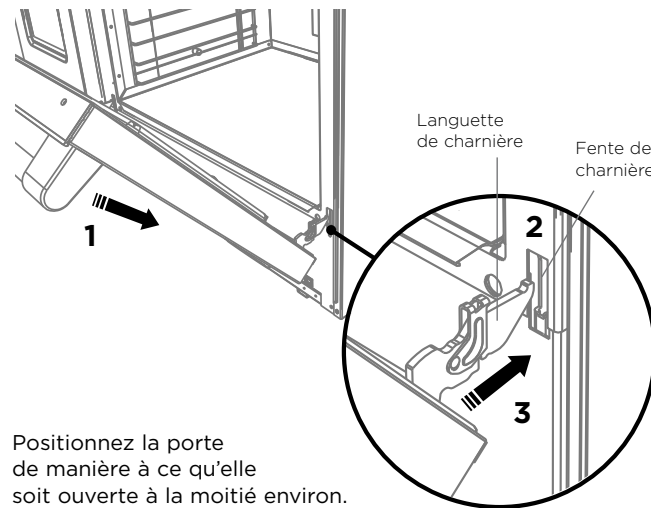


② Déverrouillez les charnières de la porte en tournant le verrou vers l'avant.

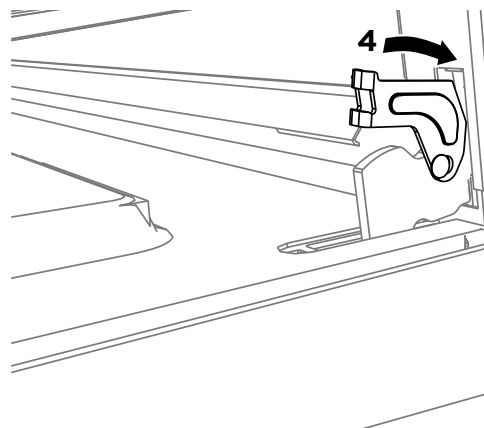


③ Une fois les deux charnières déverrouillées, fermez doucement la porte à la moitié environ. Saisissez les côtés de la porte, puis soulevez doucement vers le haut et légèrement vers l'avant, afin que la porte se dégage de la charnière.  
④ Continuez de soulever et tirer la porte à distance de la cuisinière.

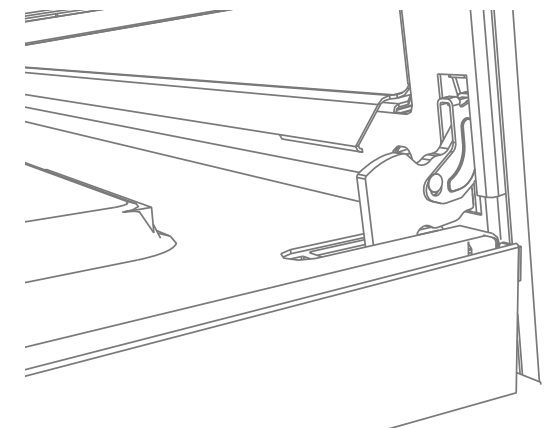
## 12 POUR RÉINSTALLER LA OU LES PORTE(S) DU FOUR



① Positionnez la porte de manière à ce qu'elle soit ouverte à la moitié environ.  
② Placez simplement la languette de charnière dans les fentes de charnière.  
③ Poussez la porte dans les fentes jusqu'à ce qu'elles s'emboîtent dans les verrous.

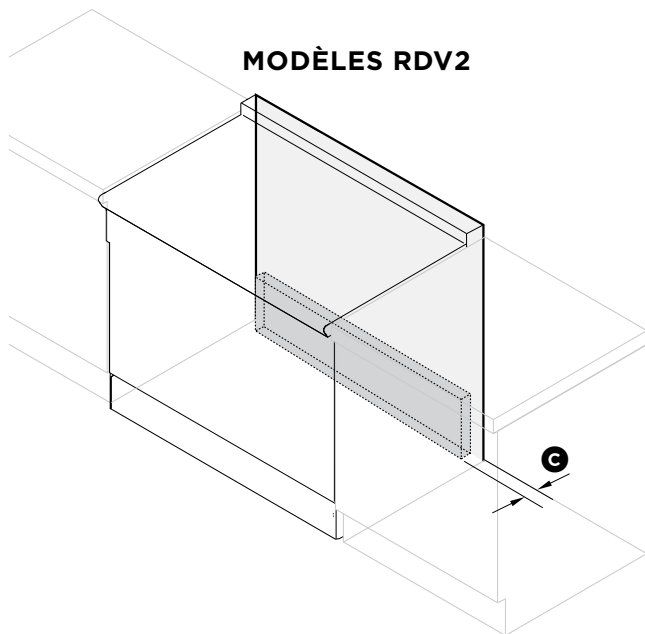


④ Ouvrez la porte complètement et tournez les verrous en position fermée.

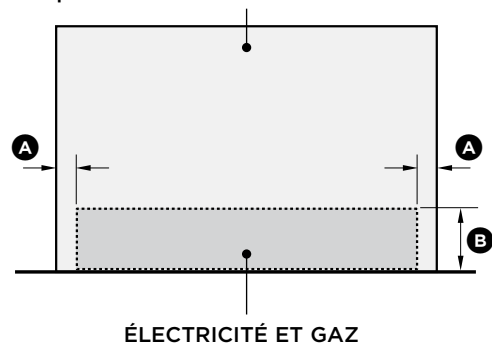


⑤ Fermez la porte du four.

**MODÈLES RDV2**

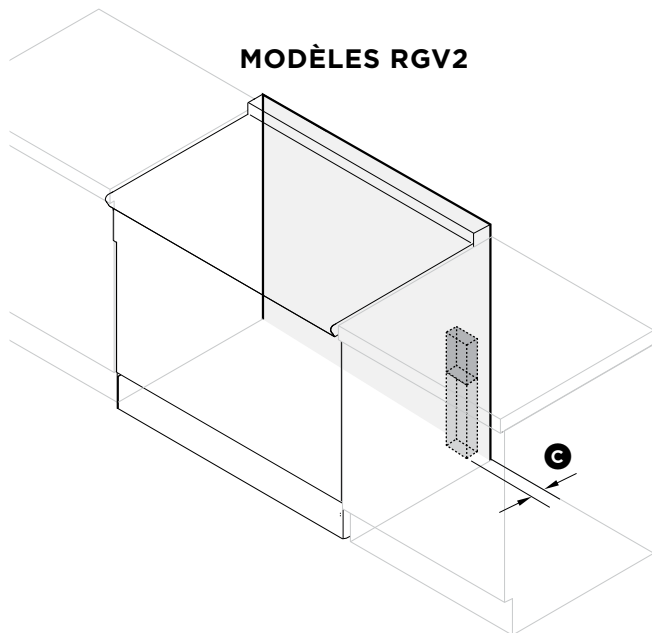


Emplacement final de la cuisinière contre le mur

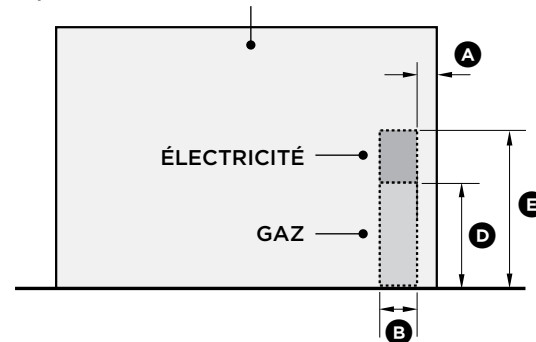


DIMENSIONS DES ZONES D'ALIMENTATION		RDV2
Ⓐ	Distance entre les côtés de la cuisinière et la zone d'alimentation	1 1/2" (38 mm)
Ⓑ	Hauteur des zones d'alimentation en gaz et électricité (à partir du sol)	6" (152 mm)
Ⓒ	Profondeur des zones d'alimentation (c.-à-d. protubérance maximale pour le raccordement du gaz à partir du mur)	2" (51 mm)

**MODÈLES RGV2**



Emplacement final de la cuisinière contre le mur

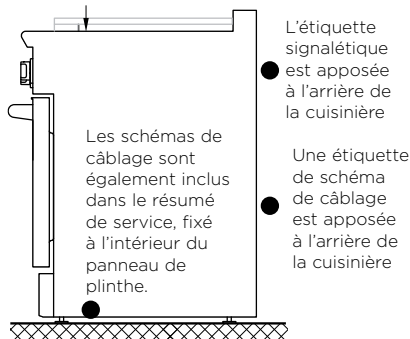


DIMENSIONS DES ZONES D'ALIMENTATION		RGV2
Ⓐ	Distance entre le côté droit de la cuisinière et la zone d'alimentation	1 1/2" (38 mm)
Ⓑ	Largeur des zones d'alimentation - Modèles 30" - Modèles 36" - Modèles 48"	2" (51 mm) 5" (127 mm) 3" (76 mm)
Ⓒ	Profondeur des zones d'alimentation (c.-à-d. protubérance maximale pour le raccordement du gaz à partir du mur)	2" (51 mm)
Ⓓ	Hauteur de la zone d'alimentation en gaz (à partir du sol)	12" (305 mm)
Ⓔ	Hauteur de la zone d'alimentation en électricité (à partir du sol)	19" (483 mm)

## TOUS LES MODÈLES

### IMPORTANT!

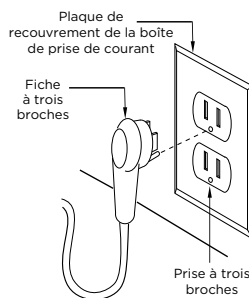
- Cette cuisinière doit être raccordée à l'alimentation électrique uniquement par une personne qualifiée.
- Cette cuisinière doit être mise à la terre.
- Déconnectez toujours le cordon d'alimentation électrique de la prise murale ou interrompez le courant avant d'effectuer un entretien ou une réparation.
- Respectez tous les codes et règlements en vigueur concernant la mise à la terre; en l'absence de tels codes et règlements, respectez la norme ANSI / NFPA n° 70 du Code national de l'électricité.



## MODÈLES RGV2

L'alimentation électrique doit provenir d'un circuit monophasé correctement polarisé de 120 VCA, 60 Hz, qui convient à la consommation de courant maximale du modèle, indiquée dans le tableau ci-dessous. Veuillez vérifier la consommation de courant de votre modèle en consultant l'étiquette signalétique apposée à l'arrière de la cuisinière.

MODÈLE	CONSOMMATION DE COURANT MAX.	CIRCUIT	FREQ.
RGV2-305	5 A	15 A	60 Hz
RGV2-364GD	8 A	15 A	60 Hz
RGV2-304	5 A	15 A	60 Hz
RGV2-366	5 A	15 A	60 Hz
RGV2-488	9 A	15 A	60 Hz
RGV2-485GD	15 A	15 A	60 Hz
RGV2-486GD	12 A	15 A	60 Hz
RGV2-486GL	12 A	15 A	60 Hz



### Méthode de mise à la terre requise - Modèles RGV2

- Cet appareil est équipé en usine d'un cordon d'alimentation électrique muni d'une fiche à trois broches avec mise à la terre (à lames parallèles polarisées). La fiche doit être branchée dans une prise avec mise à la terre correspondante, connectée à un circuit correctement polarisé de 120 VCA. Si le circuit ne comporte pas de prise avec mise à la terre, l'installateur a la responsabilité et l'obligation de faire remplacer, par un électricien qualifié, la prise existante par une prise polarisée correctement mise à la terre, conformément à tous les codes et règlements locaux en vigueur. En l'absence de tels codes et règlements, le remplacement de la prise doit être effectué conformément au Code national de l'électricité.
- **IMPORTANT!**  
La troisième broche ne doit EN AUCUN CAS être coupée ou enlevée.

## MODÈLES RDV2

- Un câble d'alimentation neutre doit être fourni à partir de la source d'alimentation (panneau de disjoncteur) parce que les composants de plage critique, y compris le module de réamorçage d'étincelle du brûleur de surface, nécessitent 120 VAC pour fonctionner en toute sécurité et correctement.
- Si le circuit d'alimentation n'est pas fourni, il est de la responsabilité et de l'obligation de l'installateur et de l'utilisateur d'avoir une alimentation électrique appropriée connectée. Ceci doit être effectué conformément à tous les codes et ordonnances locaux applicables par un électricien qualifié. Il incombe à l'installateur d'assurer la conformité des codes locaux. En l'absence de codes et d'ordonnances locaux, la connexion de l'alimentation doit être conforme au Code national de l'électricité.
- Respectez tous les codes et ordonnances en vigueur lors de la mise à la terre. En l'absence de ces codes ou ordonnances, observez le Code National Électrique ANSI / NFPA n° 70 en vigueur. Voir les informations suivantes dans cette section pour connaître la méthode de mise à la terre.
- Les plages doivent être raccordées à une alimentation 240/208 VAC.

### IMPORTANT!

Une alimentation incorrecte de 120/240 V ca provoquera un dysfonctionnement, des dommages à cet appareil et peut créer un état de risque d'électrocution.

Une mauvaise connexion du câblage de la maison en aluminium peut provoquer un incendie ou un choc électrique. Utilisez uniquement des connecteurs conçus et certifiés pour le raccordement à un fil en aluminium.

MODÈLE	CONSOMMATION DE COURANT MAX.	CIRCUIT	FREQ.
RDV2-305	18 A	40 A	60 Hz
RDV2-304	21 A	40 A	60 Hz
RDV2-364GD	21 A	40 A	60 Hz
RDV2-366	18 A	40 A	60 Hz
RDV2-488	33 A	50 A	60 Hz
RDV2-485GD	40 A	50 A	60 Hz
RDV2-486GD	36 A	50 A	60 Hz
RDV2-486GL	36 A	50 A	60 Hz

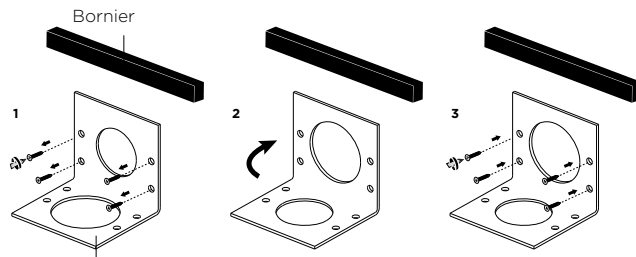


## MODÈLES RDV2

- Les modèles Dual Fuel doivent être connectés à l'alimentation en utilisant l'une des méthodes suivantes. Pour toutes les méthodes de raccordement, la longueur du cordon ou du conduit / câblage doit permettre à l'unité d'être glissée complètement hors de l'armoire sans devoir débrancher ou déconnecter l'unité de l'alimentation. La longueur minimale recommandée du cordon ou du conduit est de 4 pieds (1,2 m). Les installations électriques et la mise à la terre doivent être conformes à tous les codes et ordonnances locaux et / ou au Code national de l'électricité, selon le cas.

### CONNEXION PERMANENTE (CÂBLAGE DUR)

- Les unités peuvent être câblées à l'alimentation. L'installateur doit fournir un conduit en aluminium flexible approuvé, de taille commerciale de 3/4 "(19 mm), d'une longueur maximale de 1,8 m (6 pi). Localisez le bornier à l'arrière de l'appareil et retirez le couvercle d'accès.
- L'orientation du support de décharge de contrainte doit être commutée afin d'assurer une connexion de câblage permanente. Cela se fait par :
  - Retirez les 4 vis du support.
  - Re-sécuriser le support avec les quatre vis de sorte que le 1-1/8" (29mm) plus petite ouverture est orienté sur l'ouverture du panneau arrière.



Support de décharge

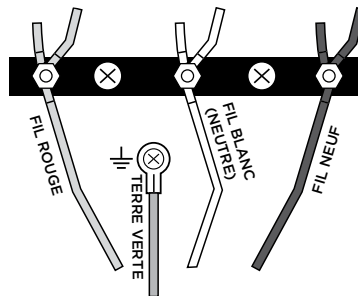
- Le conduit doit être installé sur le bornier en utilisant un connecteur de conduit approuvé. L'extrémité libre du conduit doit être reliée à une boîte de jonction prévue dans la zone d'alimentation électrique.
- Montez un détendeur (non fourni) dans le trou de 1 1/8 "(29 mm) de diamètre situé sous le bornier. Le câblage de l'unité doit être introduit dans le bornier à travers le conduit et à travers le détendeur. Les extrémités du câblage doivent être équipées d'attaches à boucle fermée de 1/4 ". Effectuer les raccordements appropriés au bornier fourni.
- Installer - Indique au propriétaire l'emplacement du disjoncteur. Marquez-le pour faciliter la consultation.

### CORDON 4 CONDUCTEURS

- NORMALEMENT, UN APPAREIL DOIT ÊTRE CONNECTÉ À L'ALIMENTATION ÉLECTRIQUE AVEC UN KIT DE CORDON À 4 CONDUCTEURS DE 3 POUTS ÉGALÉ DE 125/250 VOLTS, 50 AMPÈRES, ET MARQUÉ POUR ÊTRE UTILISÉ AVEC LES PLAGES.
- Le kit de cordon doit être fixé au bornier de la plage avec un dispositif de décharge qui convient à un trou de 35 mm (1-3 / 8 ") de diamètre. S'il n'est pas déjà équipé, le cordon doit également être doté de pattes de fixation fermées de 1/4 "(6mm) fixées aux extrémités libres des conducteurs individuels, de préférence soudées en place.

#### Connexion à 4 fils

- Retirer les écrous supérieurs seulement des goujons des borniers. Ne retirez pas les écrous inférieurs qui fixent les câbles de câblage interne de la portée.
- Monter le dispositif de décharge de traction (non fourni avec la portée) dans le trou de diamètre 1-3/8 "(35 mm) dans le support situé sous le bornier. Acheminez les câbles vers le haut à l'aide d'un détendeur.
- Fixez le fil d'alimentation neutre (blanc) au plot central (argenté) du bornier avec l'écrou.
- Fixez les fils d'alimentation L1 (noir) et L2 (rouge) aux bornes extérieures (laiton) avec des écrous.
- Fixez les câbles de mise à la terre (vert) à l'arrière de la gamme avec la vis située sous le bornier.
- Serrez fermement toutes les connexions.



- Réinstallez le couvercle du bornier.

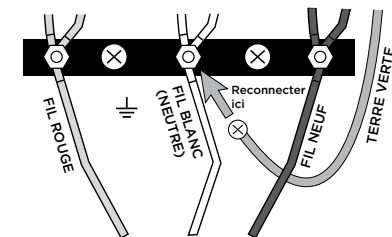
### CORDON 3 CONDUCTEURS

- LORSQUE LES CODES LOCAUX ET LES ORDINANCES PERMETTENT DE MISE À LA TERRE PAR LE NEUTRE ET QUE LA CONVERSION DE L'ALIMENTATION AU 4 FIL EST IMPRESSIONNELLE, L'UNITÉ PEUT ÊTRE CONNECTÉE À L'ALIMENTATION À L'AIDE D'UN KIT CORDON 3-CONDUCTEURS DE 3 POÛTS DE 125/250 VOLTS, 50 AMPÈRES ET MARQUÉ À UTILISER AVEC DES PLAGES.

Le kit de cordon doit être fixé au panneau arrière de la gamme avec un dispositif de décharge de traction qui s'adaptera à un trou de 1 3/8 "(35 mm) de diamètre. S'il n'est pas déjà équipé, le cordon doit également être doté de pattes de fixation de 1/4 "(6mm) fixées aux extrémités libres des conducteurs individuels.

#### Connexion à 3 fils

- Retirer les écrous supérieurs seulement des goujons des borniers. Ne retirez pas les écrous qui fixent les câbles de câblage interne de la portée.
- Monter le dispositif de décharge de traction (non fourni avec la portée) dans le trou de 1 3/8 "(35 mm) de diamètre dans le support situé sous le bornier. Acheminez les câbles vers le haut à l'aide d'un détendeur.
- Fixez les fils d'alimentation L1 (noir) et L2 (rouge) sur les bornes correspondantes des borniers (couleur laiton).
- Fixez le fil Neutre (blanc) et mis à la terre du circuit d'alimentation et rebranchez l'une des extrémités du fil de terre en boucle monté, situé sous le bornier, au plot central (argenté) du bornier avec l'écrou.
- Laissez l'autre extrémité du fil de masse vissé à l'arrière de la plage.
- Serrez solidement les écrous.



- Réinstallez le couvercle du bornier.

### Exigences relatives à l'alimentation en gaz

Vérifiez le type de gaz disponible sur le site. La cuisinière est réglée en usine pour fonctionner au gaz naturel ou gaz de pétrole liquéfié, selon le modèle spécifique commandé.

**Vérifiez que la cuisinière est compatible avec l'alimentation en gaz disponible sur le site d'installation avant de poursuivre.** Retournez la cuisinière au détaillant si l'appareil n'est pas réglé pour l'alimentation en gaz disponible sur le site.

### GAZ NATUREL

- Raccordement : NPT 1/2" avec conduite flexible de 5/8" de diamètre minimum. Pression d'alimentation : 6" à 9" C.E.

### GAZ DE PÉTROLE LIQUÉFIÉ

- Raccordement : NPT 1/2" avec conduite flexible de 5/8" de diamètre minimum. Pression d'alimentation : 11" à 14" C.E.
- Un régulateur est requis à la source d'alimentation en gaz de pétrole liquéfié afin d'assurer une pression maximale de 14" C.E. au régulateur de la cuisinière.

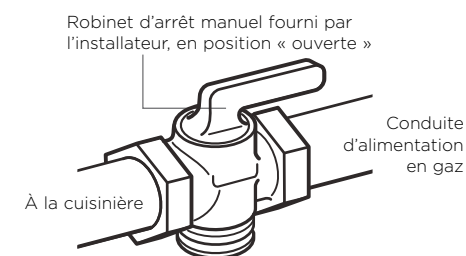
### Exigences relatives au raccordement de l'alimentation en gaz

- Les raccordements de l'alimentation en gaz doivent être effectués par un technicien qualifié conformément aux codes ou règlements locaux. En l'absence de codes locaux, l'installation doit être conforme à la dernière édition du National Fuel Gas Code ANSI Z.223.1 (mise en garde : dans le Commonwealth du Massachusetts, cet appareil doit être installé par un monteur d'installation au gaz ou plombier autorisé).
- Vous devez installer un robinet d'arrêt manuel (fourni par l'installateur) dans un endroit accessible de la conduite de gaz, à l'extérieur de l'appareil, afin de permettre l'ouverture ou la fermeture de l'alimentation en gaz à l'appareil. (Au Massachusetts, de tels robinets d'arrêt doivent être approuvés par le Board of State Examiners of Plumbers & Gas Fitters.) Le robinet d'arrêt doit être situé à moins de 6 pieds (1,8 mètre) de l'appareil desservi.

### IMPORTANT!

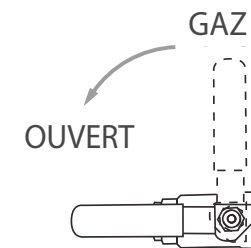
**Fisher & Paykel recommande d'installer le robinet d'arrêt manuel dans un endroit facilement accessible par le client afin qu'il puisse fermer l'alimentation en gaz de l'appareil en cas d'urgence. Toutefois, l'appareil ne doit être modifié d'aucune façon pour permettre un tel positionnement.**

- La conduite d'alimentation en gaz ne doit pas dépasser de la partie arrière de l'appareil.
- Assurez-vous de fermer l'alimentation en gaz au niveau du robinet mural avant de raccorder l'appareil.
- La vérification des fuites doit être effectuée conformément aux instructions du fabricant. Consultez les instructions ci-dessous.
- Fermez le robinet d'arrêt manuel individuel de l'appareil pour l'isoler du système de tuyauterie d'alimentation en gaz du bâtiment pendant toute vérification de pression du système à des pressions d'essai égales ou inférieures à 1/2 psig (3,5 kPa). L'appareil et son robinet d'arrêt individuel doivent être débranchés du système de tuyauterie d'alimentation en gaz pendant toute vérification de pression du système à des pressions d'essai supérieures à 1/2 psig (3,5 kPa). Lors de la vérification de la pression de gaz du collecteur, la pression d'entrée au régulateur doit être d'au moins 7,0" C.E. pour le gaz naturel ou 12,0" pour le gaz de pétrole liquéfié.
- La conduite flexible d'alimentation en gaz doit être métallique et approuvée pour l'appareil par un organisme de certification (CSA, CGA ou UL). N'utilisez jamais de tuyau en caoutchouc ou autre matériau synthétique, car la chaleur pourrait le faire fondre et causer des fuites.
- Lorsque vous raccordez l'alimentation en gaz du tuyau rigide provenant du mur au tuyau rigide de la cuisinière, faites en sorte que la conduite flexible reliant les deux tuyaux rigides soit suffisamment longue pour permettre d'éloigner la cuisinière du mur lors du nettoyage ou de l'entretien. Lorsque la cuisinière est éloignée du mur, il ne doit y avoir aucune tension au niveau des raccordements des tuyaux rigides de la cuisinière et du mur.



## 16 VÉRIFICATION DES FUITES

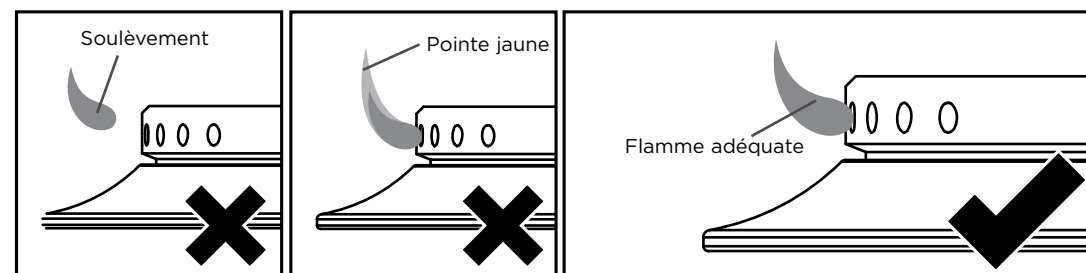
- Assurez-vous que tous les boutons du four et brûleurs sont réglés sur OFF avant plage de raccordement à l'alimentation en gaz.
- Une fois le raccordement final du gaz effectué, ouvrez l'alimentation en gaz et testez tous les raccords de la tuyauterie d'alimentation en gaz à l'aide d'une solution d'eau savonneuse pour vérifier s'il y a des fuites de gaz.
- Pour réduire les risques de dommages matériels ou de blessures graves, n'utilisez jamais la flamme d'une allumette ou une flamme nue. Si vous détectez une fuite, serrez le joint ou dévissez-le, appliquez de la pâte à joint supplémentaire, resserrez le joint et vérifiez de nouveau s'il y a une fuite.



## 17 BRÛLEURS DE LA SURFACE DE CUISSON

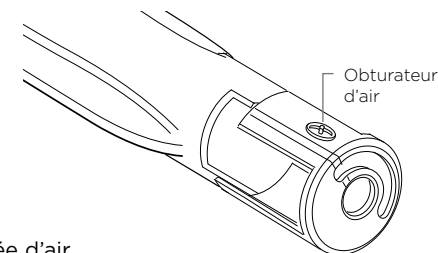
### Brûleurs de la surface de cuisson

- Pour vous assurer que le système d'allumage fonctionne correctement, allumez chaque brûleur individuellement, puis tous les brûleurs simultanément.
- Vérifiez si l'appareil produit une flamme bleu clair bien définie, sans pointe jaune.
- Si vous constatez un fonctionnement anormal, vérifiez si les composants de l'assemblage de brûleur sont installés correctement.
- Lors de l'installation de l'anneau d'orifice du brûleur, alignez les deux broches de positionnement dans le bas de l'anneau d'orifice avec l'encoche de positionnement et les ouvertures centrales sur le dessus de l'anneau de mijotage, puis veillez à les insérer correctement. Important! Une installation incorrecte pourrait produire une flamme potentiellement dangereuse et compromettre la performance du brûleur.
- Il n'est pas possible de régler l'obturateur d'air sur les brûleurs de la surface de cuisson. Le fonctionnement adéquat est obtenu avec les réglages effectués en usine pour le type de gaz approprié.
- S'il est impossible d'obtenir un fonctionnement adéquat, communiquez avec le service à la clientèle ou un centre de service autorisé Fisher & Paykel dans votre région.
- Le client ne doit pas utiliser la cuisinière ou la surface de cuisson avant qu'elles ne fonctionnent correctement.



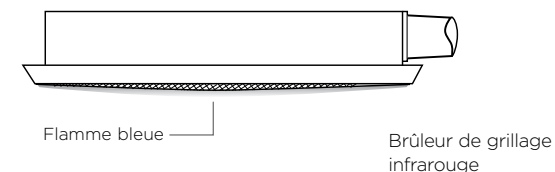
## 18 BRÛLEURS DE GRIL ET PLAQUE DE CUISSON (CERTAINS MODÈLES UNIQUEMENT)

- Chaque valve et obturateur d'air est testé et réglé individuellement avant l'expédition. Aucun ajustement n'est normalement requis; toutefois, les vibrations en cours de transport, la conversion du type de gaz ou les variations au niveau de l'alimentation en gaz locale peuvent rendre nécessaires certains réglages mineurs.
- Vérifiez que la flamme du brûleur est adéquate et ajustez les obturateurs d'air au besoin.  
Les flammes de brûleur doivent être bleues et stables, sans pointe jaune, bruit excessif ou élévation au-dessus du brûleur.  
Si l'une de ces situations se produit, vérifiez que l'obturateur d'air ou les orifices des brûleurs ne sont pas bouchés.  
Si le problème persiste, ajustez l'obturateur d'air selon le besoin.  
Si la flamme est trop jaune, ce qui indique une alimentation en air insuffisante, ouvrez l'obturateur pour augmenter l'entrée d'air.  
Si la flamme est bruyante ou tend à s'élever au-dessus du brûleur, ce qui indique un excédent d'air, fermez l'obturateur pour réduire l'entrée d'air.



## 19 BRÛLEURS DE GRILLAGE INFRAROUGE ET DE CUISSON AU FOUR (MODÈLES RGV2 UNIQUEMENT)

- Le brûleur de grillage infrarouge du four ne comporte pas d'obturateur d'air et n'est pas réglable.
- Il est nécessaire de faire fonctionner le grilloir du four pendant 20 à 30 minutes pour éliminer la forte odeur de l'isolant. Cela doit être fait avant la première utilisation de la cuisinière, avec une ventilation convenable.
- Le brûleur de cuisson au four comporte un obturateur d'air et est réglable.
- Vérifiez que la flamme du brûleur est adéquate. Les flammes de brûleur doivent être bleues et stables, sans pointe jaune, bruit excessif ou élévation au-dessus du brûleur. Si l'une de ces situations se produit, vérifiez que l'obturateur d'air (brûleur du four uniquement) ou les orifices de brûleur ne sont pas bouchés. Si le problème persiste, ajustez l'obturateur d'air selon le besoin.  
Si la flamme est trop jaune, ce qui indique une alimentation en air insuffisante, ouvrez l'obturateur pour augmenter l'entrée d'air.  
Si la flamme est bruyante ou tend à s'élever au-dessus du brûleur, ce qui indique un excédent d'air, fermez l'obturateur pour réduire l'entrée d'air.
- Après environ 5 à 8 minutes de fonctionnement, le grillage du brûleur doit être rouge incandescent.



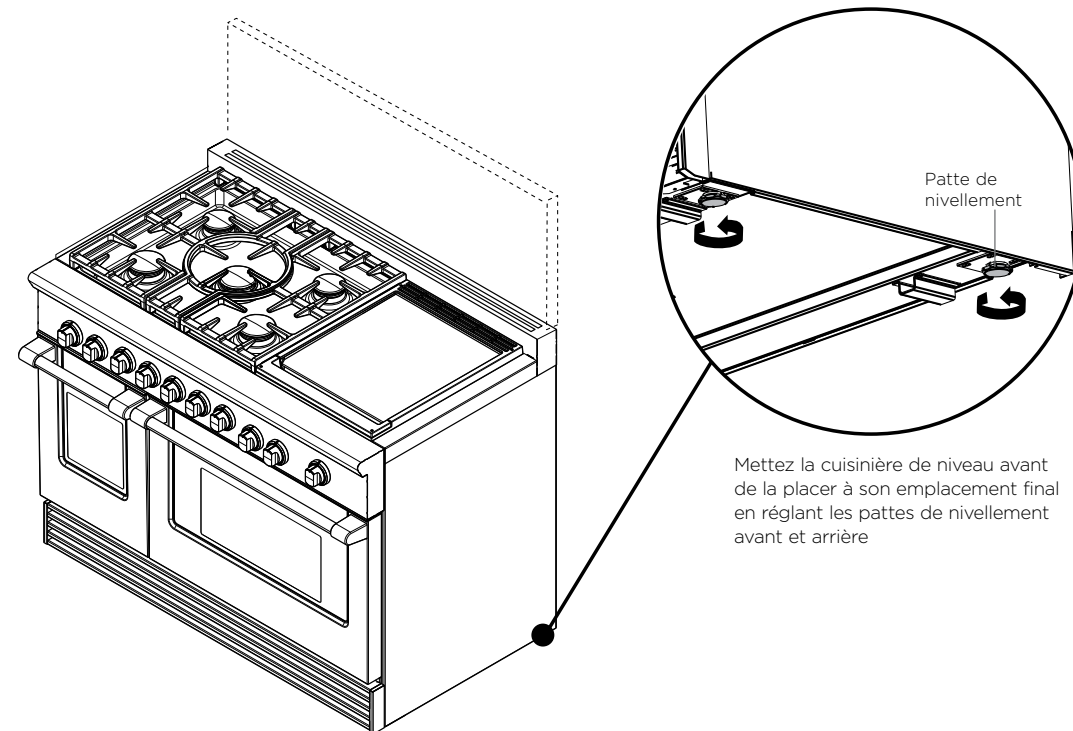
### **IMPORTANT!**

Aux fins de la garantie, Fisher & Paykel exige que les réglages de tous les brûleurs soient effectués par un technicien qualifié au moment de l'installation. UN RÉGLAGE INCORRECT ENTRAÎNERA L'ANNULATION DE VOTRE GARANTIE.

**Avant le positionnement à l'emplacement final**

- Assurez-vous que les portes et le panneau de plinthe sont bien installés, si vous les avez retirés précédemment.
  - Assurez-vous d'installer le dossier avant de placer l'appareil à son emplacement final.
  - Assurez-vous que tous les raccordements d'électricité et de gaz ont été effectués conformément aux instructions.
  - Assurez-vous que le plancher et les armoires adjacentes sont de niveau. Pour installer la cuisinière au même niveau que les comptoirs adjacents, il est nécessaire que les armoires soient de niveau (de l'avant à l'arrière et de gauche à droite, dans l'ouverture d'installation de la cuisinière).
- ① La cuisinière doit être de niveau, de gauche à droite et de l'avant à l'arrière. Mettez la cuisinière de niveau avant de la placer à son emplacement final en réglant les pattes de nivellement avant et arrière, comme illustré. Réglez d'abord les pattes arrière pour aligner la partie arrière de la cuisinière avec les coins arrière des armoires adjacentes. Remarque : Les pattes de nivellement arrière ne sont pas accessibles lorsque la cuisinière est poussée contre le mur.
  - ① Une fois la cuisinière en place, les pattes de nivellement avant demeurent accessibles pour le réglage de mise de niveau de la partie avant.

Assurez-vous d'installer le dossier avant de placer l'appareil à son emplacement final.



Mettez la cuisinière de niveau avant de la placer à son emplacement final en réglant les pattes de nivellement avant et arrière

Le modèle de cuisinière peut varier

## 21 INSTALLATION DU SUPPORT ANTIBASCULEMENT

Un dispositif antibasculement doit être installé correctement sur toutes les cuisinières, conformément aux instructions suivantes. Si vous devez retirer la cuisinière du mur pour une raison quelconque, veillez à ce que le dispositif s'enclenche correctement lorsque vous pousserez de nouveau l'appareil contre le mur. Sinon, la cuisinière risque de basculer et de causer des blessures si une personne ou un enfant se tient, s'assoit ou s'appuie sur une porte de four ouverte.

### Pièces incluses

(4) vis à bois n° 10 x 2", (2) ancrages à douille 5/16 x 1 1/2", (2) tirefonds et rondelles et (1) support antibasculement

### Installation du support

Ces instructions s'appliquent aux planchers de bois ou en béton. Les autres types de matériaux peuvent exiger des techniques d'installation spéciales visant à assurer la fixation adéquate du support antibasculement au plancher et au mur. Ce support ne peut empêcher le basculement de la cuisinière s'il n'est pas installé correctement.

### Construction en bois

- 1 Placez le support contre le mur arrière, dans le coin arrière droit où sera placée la cuisinière. Laissez un espace entre le mur (ou la paroi de la cuisinière) et le support, comme illustré.
- 2 Percez (2) avant-trous de 1/8" de diamètre au centre des petits trous. Vous pouvez utiliser un clou ou un poinçon si vous ne disposez pas d'une perceuse.
- 3 Fixez solidement le support au plancher et au mur.

### Construction en béton ou ciment

- 1 Positionnez le support, comme illustré.
- 2 En utilisant le support comme gabarit, percez (2) avant-trous de 5/16" de diamètre au centre des grands trous, à une profondeur d'au moins 1 3/4".
- 3 Placez les ancrages à douille dans les trous et utilisez un marteau pour les enfoncer entièrement.
- 4 Serrez les écrous sur les ancrages à douille pour fixer solidement le support au plancher.

### Une fois l'installation terminée

Vérifiez que la cuisinière et le support antibasculement sont correctement installés en saisissant l'arrière de l'appareil pour essayer de l'incliner avec précaution vers l'avant.

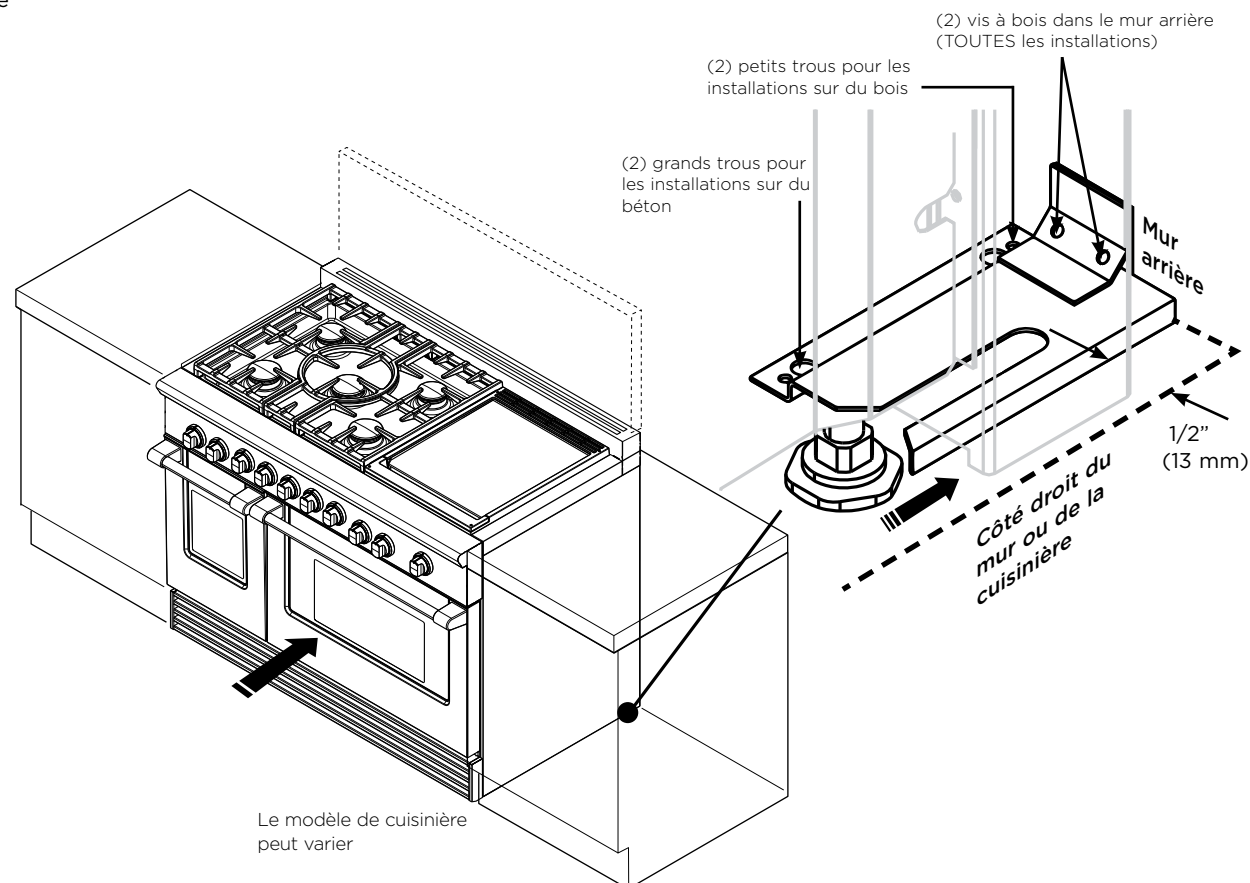
### ⚠ MISE EN GARDE!



**Pour réduire les risques de basculement de l'appareil, vous devez fixer celui-ci en installant correctement le dispositif antibasculement emballé avec l'appareil.**

- Un enfant ou adulte pourrait faire basculer la cuisinière et subir des blessures mortelles.
- Installez le dispositif antibasculement à la structure en fixant le support fourni au plancher et au mur, en suivant les instructions d'installation du dispositif antibasculement.
- Enclenchez le dispositif antibasculement.
- Réenclenchez le dispositif antibasculement après tout déplacement de la cuisinière.
- Consultez les instructions d'installation pour plus de détails.

**Le non-respect de ces consignes peut causer la mort ou des brûlures graves à des enfants ou adultes.**



## 22 LISTE DE VÉRIFICATION FINALE

### ✓ À ÊTRE REMPLIE PAR L'INSTALLATEUR

#### GÉNÉRALITÉS

- Emplacement de l'appareil.
- Mesures de dégagement spécifiées respectées par rapport aux surfaces d'armoires.
- Appareil de niveau - de l'avant à l'arrière, d'un côté à l'autre.
- Matériaux d'emballage et courroies d'attache entièrement retirés.
- Dossieret installé si des matériaux combustibles se trouvent à moins de 6" (152 mm) de l'arrière de l'appareil.
- Plateau radiant placé dans le gril (si l'appareil en est équipé). Grilles en place.

#### ALIMENTATION ÉLECTRIQUE

- Prise avec protection de surintensité de valeur nominale adéquate pour brancher le cordon d'alimentation.
- Connexion de mise à la terre adéquate.
- Panneau de plinthe avant installé avec deux vis bien fixées.

#### ALIMENTATION EN GAZ

- Raccordement : NPT 1/2" avec conduite flexible de 5/8" de diamètre minimum. L'alimentation en gaz sur le site est compatible avec le modèle de cuisinière et une pression suffisante est disponible (consultez la section 'Raccordement du gaz').
- Le régulateur de pression raccordé au collecteur est réglé à 5,0" C.E. pour le gaz naturel ou 10,0" C.E. pour le gaz de pétrole liquéfié.
- Robinet d'arrêt de gaz manuel installé dans un endroit facile d'accès.
- Appareil testé et exempt de fuites.

#### FONCTIONNEMENT

- Tous les matériaux d'emballage internes ont été retirés. Vérifiez en dessous de la grille et à l'intérieur du four.
- Si l'appareil est utilisé avec du gaz de pétrole liquéfié, vérifiez que le régulateur de pression, les couvercles d'orifices, les obturateurs d'air et les jets de valve ont été réglés pour l'utilisation avec du gaz de pétrole liquéfié.
- Les grilles sont bien logées et ne balancent pas (si l'appareil en est équipé).
- Les boutons tournent correctement et librement.
- Chaque brûleur s'allume correctement, que ce soit individuellement ou simultanément avec les autres brûleurs.
- Le réglage de la flamme est effectué sur l'obturateur d'air de chaque brûleur de four, plaque de cuisson ou gril.
- La plaque de cuisson est de niveau et ne balance pas (si l'appareil en est équipé).
- Les charnières de la porte sont bien logées et la porte ouvre et ferme correctement.
- Les pièces d'appui des brûleurs sont correctement positionnées, de niveau et stables.
- La flamme de la plaque de cuisson est adéquate.
- La flamme du gril est adéquate.
- La flamme du brûleur de surface de cuisson est adéquate.

Remplir et conserver pour référence ultérieure :

Modèle \_\_\_\_\_  
N° de série \_\_\_\_\_  
Date d'achat \_\_\_\_\_  
Acheteur \_\_\_\_\_  
Adresse du détaillant \_\_\_\_\_  
Nom de l'installateur \_\_\_\_\_  
Signature de l'installateur \_\_\_\_\_  
Entreprise d'installation \_\_\_\_\_  
Date de l'installation \_\_\_\_\_

**FISHERPAYKEL.COM**

© Fisher & Paykel Appliances 2018. All rights reserved.  
The product specifications in this booklet apply to the specific products and models described at the date of issue. Under our policy of continuous product improvement, these specifications may change at any time. You should therefore check with your Dealer to ensure this booklet correctly describes the product currently available.

© Fisher & Paykel Appliances 2018. Tous droits réservés.  
Les caractéristiques de produit présentées dans ce livret s'appliquent aux modèles et produits spécifiques qui y sont décrits à la date de publication. Dans le cadre de notre politique d'amélioration en permanence de nos produits, ces caractéristiques peuvent être modifiées à tout moment. Nous vous recommandons de vérifier auprès de votre détaillant que ce livret décrit le produit actuellement disponible.

**US CA**

**591090D 01.18**