



The professional  
Liberty collection

BFGC-30 models

**Installation instructions  
and User guide**

US CA



# A MESSAGE TO OUR CUSTOMERS

Thank you for selecting this DCS Professional “Liberty Collection” Outdoor Appliance. Because of this appliance’s unique features we have developed this Use & Care and Installation Guide. It contains valuable information on how to properly install, operate and maintain your new appliance for years of safe and enjoyable use.

To help serve you better, please fill out and submit your Product Registration by visiting our website at [www.dcsappliances.com](http://www.dcsappliances.com) and selecting “Customer Care” on the home page and then select “Product Registration”. In addition, keep this guide handy, as it will help answer questions that may arise as you use your new appliance.

For your convenience, product questions can be answered by a DCS Customer Care Representative at 1-888-936-7872, or email: [customer.care@fisherpaykel.com](mailto:customer.care@fisherpaykel.com).

**NOTE:** Please write the Model, Code and Serial Numbers on this page for references (can be found on the inside, right side panel behind the drip pan handle. See page 7.)

MODEL NUMBER \_\_\_\_\_ CODE \_\_\_\_\_ SERIAL NUMBER \_\_\_\_\_

**NOTE:** Inspect the product to verify that there is no shipping damage. If any damage is detected, call the shipper and initiate a damage claim. DCS by Fisher & Paykel is not responsible for shipping damage.

*DO NOT discard any packing material (box, pallet, straps) until the unit has been inspected.*

## **WARNING!**

Do not try lighting this appliance without reading the “Lighting Instructions” section of this manual. Improper installation, adjustment, alteration, service or maintenance can cause property damage, injury or death. Read the installation, operating and maintenance instructions thoroughly before use, installing or servicing this equipment. This outdoor cooking gas appliance is not intended to be installed in or on recreational vehicles, boats or in a non-ventilated room. For outdoor residence use only.

## **WARNING**

1. Do Not store or use gasoline or any other flammable vapors and liquids in the vicinity of this or any other appliance.
2. An LP cylinder not connected for use shall not be stored in the vicinity of this or any other appliance.

## **DANGER**

If you smell gas:

1. Shut off gas to the appliance.
2. Extinguish any open flames.
3. Remove any covers in place over burners/griddle.
4. If odor continues, keep away from the appliance and immediately call your gas supplier or your fire department.

**PLEASE RETAIN THIS MANUAL FOR FUTURE REFERENCE.**

# CONTENTS

SAFETY PRACTICES & PRECAUTIONS	3-5
OUTDOOR APPLIANCE MODELS	6
BEFORE USING YOUR APPLIANCE	7
INSTALLATION	
Locating Outdoor Appliance/Built-in Clearances	8-9
Built-in Construction Details	10
Cart Assembly Instructions	11-15
Gas Hook-up	16-19
Leak Testing	20-21
Burner Adjustment	22
Radiant Assembly	23
Sink	24
Side Shelf (optional)	25-26
Installer Checklist	26
USING THE GRILL	
Lighting Instructions	27
Use of the Grill	27-28
USING THE SIDE BURNER	
Lighting Instructions	29
USING THE GRIDDLE	
Thermocouple	30
Before Using the Griddle for the First Time or to Re-season	30
Use of the Griddle	30
Lighting Instructions	31
USING THE SINK	32
CARE & MAINTENANCE	33-36
TROUBLESHOOTING	
Outdoor appliance	37
Side Burner	38
SERVICE	39
WARRANTY	40-41

# SAFETY PRACTICES & PRECAUTIONS

## **IMPORTANT SAFETY NOTICE!**

Certain Liquid Propane dealers may fill liquid propane cylinders for use in the outdoor appliance beyond cylinder filling capacity. This "Overfilling" may create a dangerous condition.

## **IMPORTANT SAFETY NOTICE!**

Be sure to remove covers from grill, griddle or side burners before attempting to light or use.

"Overfilled" tanks can build up excess pressure. As a safety device, the tanks pressure relief valve will vent propane gas vapor to relieve this excess pressure. This vapor is combustible and therefore can be ignited. To reduce this danger, you should take the following safety precautions:

1. When you have your tank filled, be sure you tell the supplier to fill it to no more than 3/4 (75%) of its total capacity.
2. If you own or use a spare tank, or have a disconnected tank, you should NEVER store it near or under the outdoor appliance/cart unit or heat box, or near any other ignition or heat source. A metallic sticker with this warning is provided with the grill to remind you, your family and all others who may use your grill of these safety precautions. Install this sticker close to your barbecue grill.
3. Do not store a full tank in direct sunlight.

## **WARNING!**

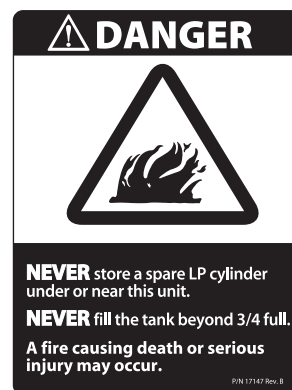
Do not try lighting this appliance without reading the "LIGHTING INSTRUCTIONS" section of this manual. This outdoor appliance is for outdoor use only.

## **WARNING!**

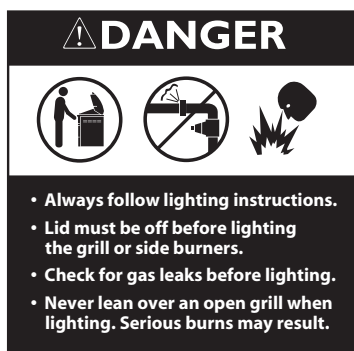
Push and hold the igniter button, turn the selected burner knob to "HI" or "SEAR". If burner does not light in 4 to 5 seconds turn knob "OFF" and wait minutes for any accumulated gas to dissipate before trying again.

- Begin by insuring proper installation and servicing. Follow the installation instructions within this manual. Have your outdoor appliance installed by a qualified technician. Have the installer show you where the gas supply shut-off valve is located so that you know where to shut off the gas to the outdoor appliance. If you smell gas, your installer has not done a proper job of checking for leaks. If the connections are not perfectly sealed, you can have a small leak and therefore a faint gas smell. Finding a leak is not a "do-it-yourself" procedure. Some leaks can only be found with the burner control in the "ON" position and this must be done by a qualified technician.

- Children should not be left alone or unattended in an area where the outdoor appliance is being used. Never allow them to sit, stand or play on or around the outdoor appliance at any time. When in use, portions of the outdoor appliance can get hot enough to cause severe burns.
- Do not store items of interest to children around or below the outdoor appliance, in the cart or masonry enclosure. Never allow children to crawl inside a cart or enclosure.



STICKER



# SAFETY PRACTICES & PRECAUTIONS

- Never let clothing, pot holders or other flammable materials come in contact with or too close to any grate, burner or hot surface until it has cooled. Fabric may ignite and result in personal injury.
- Never attach or disconnect an LP cylinder, or move or alter gas fittings when the grill is in operation or is hot.
- Clean and perform general maintenance on the grill twice a year. Watch for corrosion, cracks, or insect activity. Check the regulator, hoses, burner ports, air shutter, and venturi/valve section carefully. Always turn off gas at the source (tank or supply line) prior to inspecting parts.
- After a period of storage or non-use (such as over the winter), the gas grill should be checked for gas leaks, deterioration, proper assembly, and burner obstructions before using.
- Do not heat unopened food containers as a build-up of pressure may cause the container to burst.
- Always use a covered hand when taking off the lid and only do so slowly to allow heat and steam to escape.
- Never lean over an open outdoor appliance. When lighting a burner, always pay close attention to what you are doing.
- After lighting burners, make sure burners are operating normally (see pages 21 and 22).
- When using the outdoor appliance, do not touch the outdoor appliance burner grate or immediate surrounding area as these areas become extremely hot and could cause burns.
- Grease is flammable. Let hot grease cool before attempting to handle it. Avoid letting grease deposits collect in the drip pan. Clean often.

For personal safety, wear proper apparel. Loose fitting garments or sleeves should never be worn while using this appliance. Some synthetic fabrics are highly flammable and should not be worn while cooking. Only certain types of glass, heat-proof glass ceramic, earthenware, or other glazed utensils are suitable for outdoor appliance use. Use of some types of materials may break with sudden temperature changes. Use only on low or medium heat settings according to the manufacturer's directions.

## **WARNING!**

Spiders and insects can nest in the burners of this and any other outdoor appliance, and cause the gas to flow from the front of the burner. The gas will flow from the front of the burner into the control panel. This is a very dangerous condition which can cause a fire to occur behind the valve panel, thereby damaging the outdoor appliance components and making it unsafe to operate.

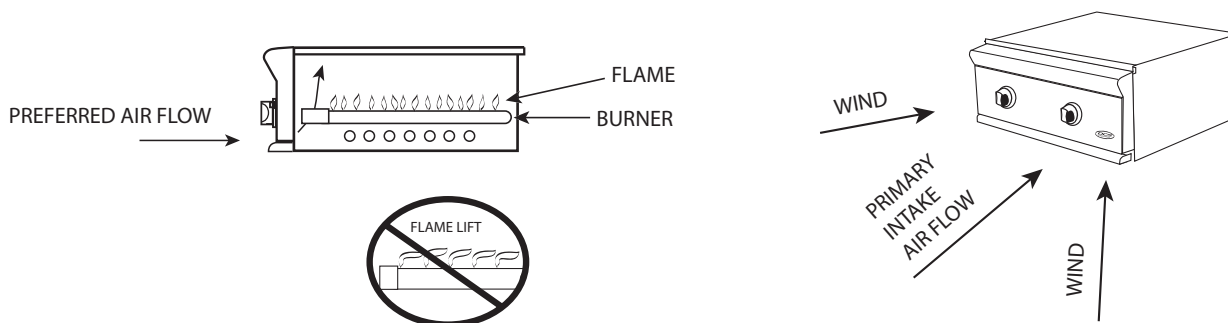
## **WARNING!**

Keep the area surrounding the outdoor appliance free from combustible materials, trash, or combustible fluids and vapors such as gasoline or charcoal lighter fluid. Do not obstruct the flow of combustion and ventilation air.

## **WARNING!**

Never use the outdoor appliance in windy conditions. If located in a consistently windy area (oceanfront, mountain-top, etc.) a wind break will be required. Always adhere to the specified clearances listed.

## OUTDOOR APPLIANCE PLACEMENT



# SAFETY PRACTICES & PRECAUTIONS

- Do not use aluminum foil to line drip pans, grates or radiants. This can severely upset combustion air flow or trap excessive heat in the control area. The result of this can be melted knobs or damaged ignition components.
- When using the side burners always use flat bottomed pans which are large enough to cover the side burner. Adjust the flame so that it heats only the bottom of the pan to avoid ignition of clothing. Position handles inward away from open edges of the unit to avoid burns associated with unintentional spillovers. Hold the handle of the pan to prevent movement of it when turning or stirring food. For proper lighting and performance of the burners, keep the ports clean. It is necessary to clean them periodically for optimum performance.
- Clean the outdoor appliance with caution. Avoid steam burns; do not use a wet sponge or cloth to clean the outdoor appliance while it is hot. Some cleaners produce noxious fumes or can ignite if applied to a hot surface.
- Be sure all outdoor appliance controls are turned off and the outdoor appliance is cool before using any type of aerosol cleaner on or around the outdoor appliance. The chemical that produces the spraying action could, in the presence of heat, ignite or cause metal parts to corrode.
- Do not use the grill for cooking excessively fatty meats or products which promote flare-ups.
- Never use outdoor appliance without the drip pan and grease tray in place and pushed all the way to the back. Without the grease pan, hot grease could leak downward and produce a fire or explosion hazard.
- Do not operate the outdoor appliance under unprotected combustible construction. Use only in well ventilated areas. Do not use in buildings, garages, sheds, breezeway, covered structure or other such over head structures and enclosed areas. This unit is for outdoor use only.
- If a cart unit is stored indoors, ensure that it is cool, fold the optional side shelf(s) down, and never push or pull on the side shelves. If LP, the LP cylinder must be unhooked and stored outside in a well ventilated area, out of reach of children.
- Do not use charcoal or lighter fluid in the outdoor appliance.
- Never use the outdoor appliance in a windy area.
- Never use a dented or rusty LP tank. Keep the ventilation openings of the cylinder enclosure free and clear from debris.
- Use only dry potholders; moist or damp potholders on hot surfaces may cause burns from steam. Do not use a towel or bulky cloth in place of potholders. Do not let potholders touch hot portions of the outdoor appliance.
- Have an ABC rated Fire Extinguisher accessible – never attempt to extinguish a grease fire with water or other liquids.
- To avoid burns when cooking, use long handled BBQ tools.
- Do not move the appliance during its use.
- **This unit is for outdoor use only!** Do not operate in enclosed areas. This could result in carbon monoxide build-up which would result in injury or death.
- When using the grill, be sure that all parts of the unit are firmly in place and that the grill is stable (can't be tipped over).
- To put out flare-ups, adjust the controls to lower the temperature
- **CALIFORNIA PROPOSITION 65-WARNING:** The burning of gas cooking fuel generates some by-products which are on the list of substances which are known by the State of California to cause cancer or reproductive harm. California law requires businesses to warn customers of potential exposure to such substances. To minimize exposure to these substances, always operate this unit according to the Use and Care Guide, ensuring you provide good ventilation when cooking with gas.
- This outdoor cooking gas appliance is not intended to be installed in or on recreational vehicles, trailers and/or boats.

## **Note:**

*This product must be installed by a licensed plumber or gas fitter when installed within the Commonwealth of Massachusetts.*

# OUTDOOR APPLIANCE MODELS



**BFGC-30G - All-Grill**



**BFGC-30BGD - Double Side Burner/Griddle**



**BFGC-30BS - Double Side Burner/Sink**



# BEFORE USING YOUR APPLIANCE

1. Remove all packaging materials and labels from your appliance. If the installer has not set up your appliance, check that you have the following items:

## ■ BFGC-30G - All-Grill

- All-Grill cover
- Grill grates (5 pcs)
- Radiant trays to hold ceramic rods (2 pcs)
- Ceramic rods (28 pcs)
- Cover hanger (2 pcs)

## ■ BFGC-30BGD - Side Burner/Griddle

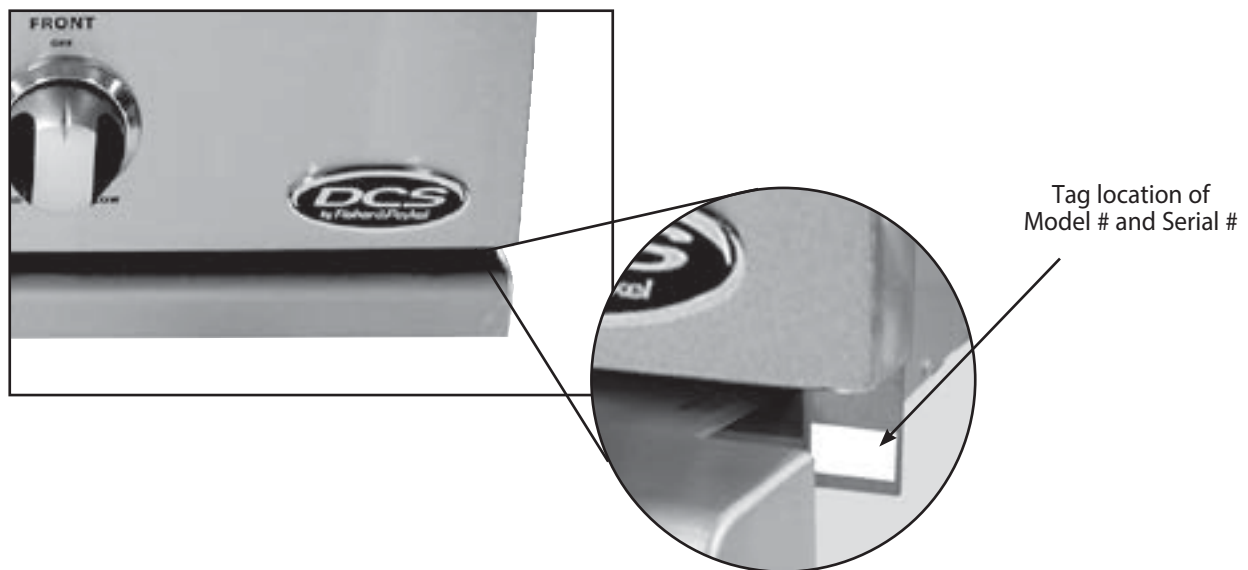
- Covers (2 pcs)
- Griddle grease cup
- Side burner grate
- Griddle flu cover
- Cover hanger (2 pcs)

## ■ BFGC-30BS - Side Burner/Sink

- Covers (2 pcs)
- Faucet
- Drain plug
- Side burner grate
- Cover hanger (2 pcs)
- Burner caps (2 pcs)

### **NOTE:**

*If any of the listed items are missing, contact DCS at (888) 936-7872. Please be prepared with your Model #, Serial # and description of product you have purchased.*



Read all installation instructions in this manual to see if the unit has been properly installed. If not done or done correctly, correct before using the unit.

# INSTALLATION

## LOCATING OUTDOOR APPLIANCE/BUILT-IN CLEARANCES

### LOCATION:

When determining a suitable location, take into account concerns such as exposure to wind (If located in a windy area, a wind break must be provided to prevent poor burner performance or product damage.), proximity to traffic paths and keeping any gas or electrical supply lines as short as possible. Locate the outdoor appliance only in a well ventilated area. Do not install the outdoor appliance under overhead unprotected combustible construction. Never locate the outdoor appliance in a building, garage, breezeway, shed, gazebo, lanai or other such enclosed areas without an approved ventilation system. During heavy use, the outdoor appliance will produce a lot of smoke and flames. Ensure there is adequate area for it to dissipate.

### Important!

Gas fittings, regulator, and installer supplied shut-off valves must be used and easily accessible.

### Clearances to Combustible\* Construction (see definition on page 9):

A minimum of 12" from the sides and a minimum of 12" from the back must be maintained from the outdoor appliance above the cooking surface to adjacent vertical combustible\* construction. (Fig. 01) Do not install under unprotected combustible\* construction.

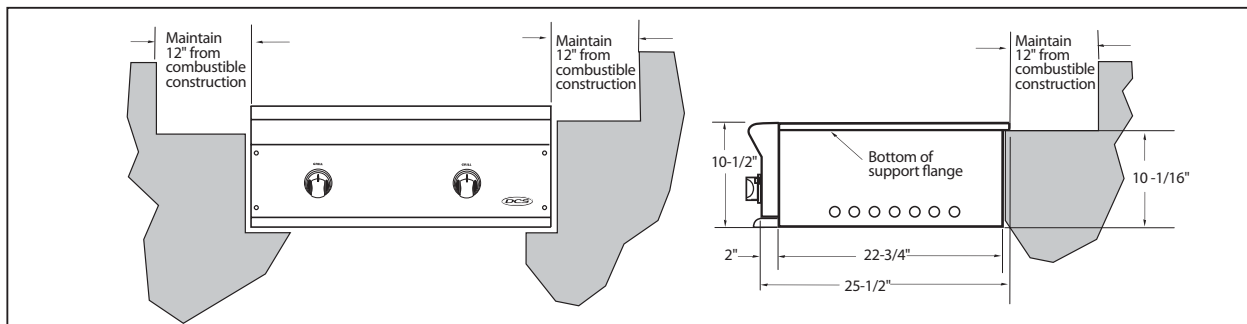


Fig. 01

### Important!

All outdoor appliances must have an insulated jacket to combustible island construction.

### Clearances to Noncombustible\*\* Construction (see definition on page 9):

A minimum of 3" clearance from the back of the outdoor appliance to noncombustible\*\* construction is required. It is desirable to allow at least 6" side clearance to noncombustible\*\* construction above the cooking surface or counter space. The outdoor appliance can be placed directly adjacent to noncombustible\*\* construction below the cooking surface.



### WARNING!

Failure to maintain required clearances creates a fire hazard that may result in property damage or serious personal injury.



### WARNING!

If a Noncombustible\*\* material such as metal is covering a combustible material such as wood, the minimum clearance distance needs to be held to the wood. The presence of a Noncombustible\*\* material inside the clearance zone does not eliminate the minimum clearance zone to combustible material.

# INSTALLATION

## LOCATING BUILT-IN CLEARANCES

### **! WARNING!**

The appliances are designed to function in an open area. Recommended minimum clearances should be maintained to all surfaces (combustible\* and noncombustible\*\*) for optimum performance. Noncombustible\*\* material within the minimum clearance area could result in discoloration or deterioration.

\*DEFINITION OF COMBUSTIBLE MATERIAL - Any materials of a building structure or decorative structure made of wood, compressed paper, plant fibers, stucco or other materials that are capable of transferring heat or being ignited and burned. Such material shall be considered combustible even though flame-proofed, fire-retardant treated, or painted surface or plastered.

\*\*DEFINITION OF Noncombustible MATERIAL - Material which is not capable of being ignited and burned, such as materials consisting entirely of, or a combination of, steel, iron, brick, tile, concrete, slate, and plaster (which is unpainted).

### **Important!**

It is recommended that a minimum of 10 sq. inches of ventilation opening be provided for both the left and right sides, as well as the back of enclosure (Fig. 02), in order to safely dissipate unburned gas vapors in the event of a gas supply leak.

### **! WARNING!**

Note specific built-in enclosure ventilation requirements. See text and Fig. 02.

### **GENERAL**

The outdoor appliance is designed for easy placement into masonry enclosures. For non-combustible applications the outdoor appliance drops into the opening shown in Fig. 03 and hangs from its side flanges. The deck must be level and flat. A deck is not required to support the unit from the bottom. When using the insulated jacket in a combustible enclosure application, see the bottom of Fig. 03. The jacket assembly must be supported from the bottom by a ledge on each side or a solid deck beneath the entire insulated jacket.

### **INSULATED JACKET:**

If the outdoor appliance is to be placed into a combustible enclosure, an approved insulated jacket is required and is available from your dealer. Insulated jacket is not required for BFGC-30BS Side Burner Sink Model. Use only the DCS insulated jacket (p/n #70859) which has specifically been designed and tested for this purpose.

Review the detail drawing shown (Fig. 03) and take into account the provisions shown for gas line hook-up clearance in the right rear corner. It is recommended that ventilation holes are provided in the enclosure to eliminate the potential build-up of gas in the event of a gas leak. The supporting ledges or deck must be level and flat. The counter should also be level.

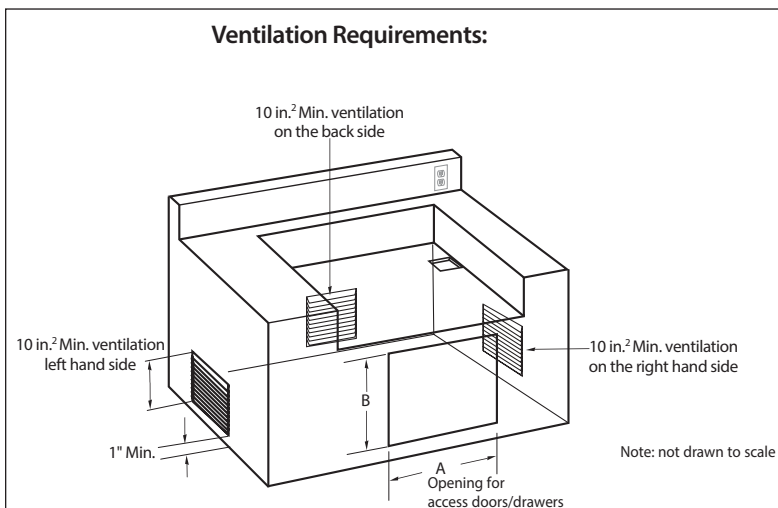


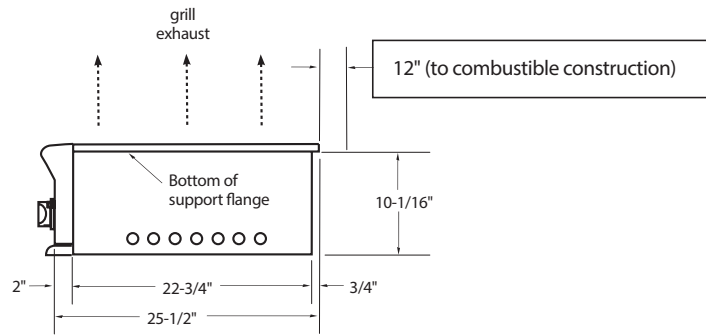
Fig. 02

### CUTOUT DIMENSIONS OF MATCHING ACCESS DOORS/DRAWERS:

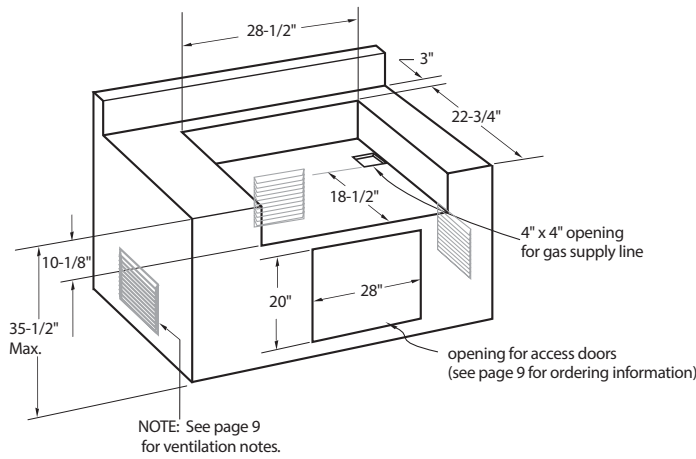
ACCESS DOOR/ DRAWER MODELS	A	B
ADN120X24	22"	20"
ADN120X30	28"	20"
ADN120X36	34"	20"
ADN120X48	46"	20"
ADR224	22"	20"
ADR236	34"	20"
ADR230	28"	20"
ADR248	46"	20"

# INSTALLATION

## BUILT-IN CONSTRUCTION DETAILS



### Standard layout for non-combustible enclosure:



### **! WARNING!**

If installing the grill into a non-combustible enclosure, all combustible construction must still be outside the 12 inch clearance zone. If your island is made of stucco over the top of wooden studs, the wood can not be inside the 12 inch clearance zone to combustible, even though the stucco is what is touching the grill area.

### Layout for insulated jacket only - combustible enclosure:

NOTE: See page 9 for insulated jacket part ordering information.

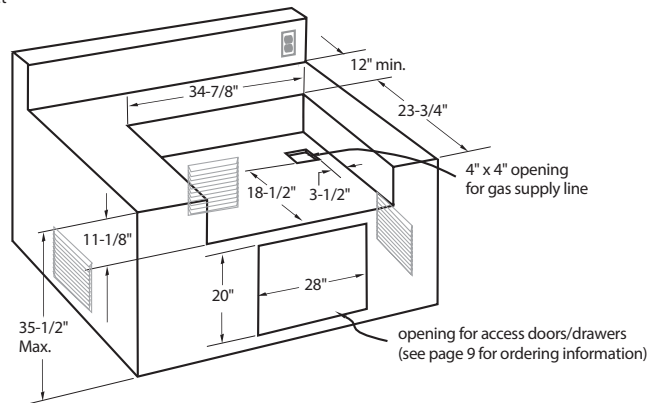


Fig. 03

# INSTALLATION

## CART ASSEMBLY INSTRUCTIONS

### IMPORTANT:

Read all instructions before you begin. Do not jump ahead or skip any step.

### CAUTION:

Some parts have sharp edges; care must be taken when handling the various components to avoid injury. Please read safety information provided in these instructions before beginning assembly. Wear gloves when handling.

Two or more people should work together to assemble the cart and All-Grill, Double Side Burner/ Sink, or Double Side Burner/Griddle.

*NOTE: Avoid using optional side shelf to move cart. Push or pull cart by grasping corners of head.*

### LOCATING THE CART

For proper use, this product should be installed/positioned on a flat ground or patio. Unevenness such as bumps, cracks and protrusions should be 1/4" or less. Refer to Fig. 04 for required flat area dimensions.

## Getting Started

- Remove packaging.

### Contents Included:

Your cart is packaged in one box. The box contains your 30" cart and a universal hardware kit to be used for head installation and may contain extra hardware for your convenience.

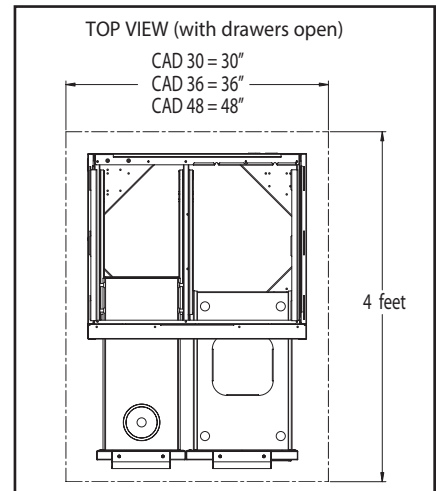
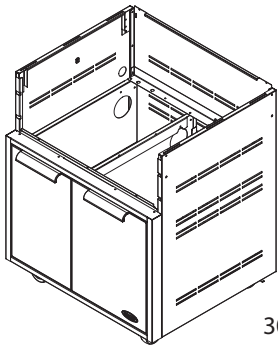


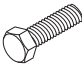










Fig. 04

Contents	Qty.
 30" Cart	1
 Machined Phillips screws 10-24X1/2"	13
 Bracket, Tab	2
 Bolt Hex 1/4-20-1/2"	2
 Washer .313 x .750	4
 Nut Hex 1/4-20	2

### Tools Required:

	Eye Goggles
	Work Gloves
	Power Screwdriver or Variable Speed Drill with Phillips - tip #2 Attachment
	5/32" Allen Wrench
	3/16" Allen Wrench
	3/32" Allen Wrench

# INSTALLATION

## CART ASSEMBLY INSTRUCTIONS

### Step 1

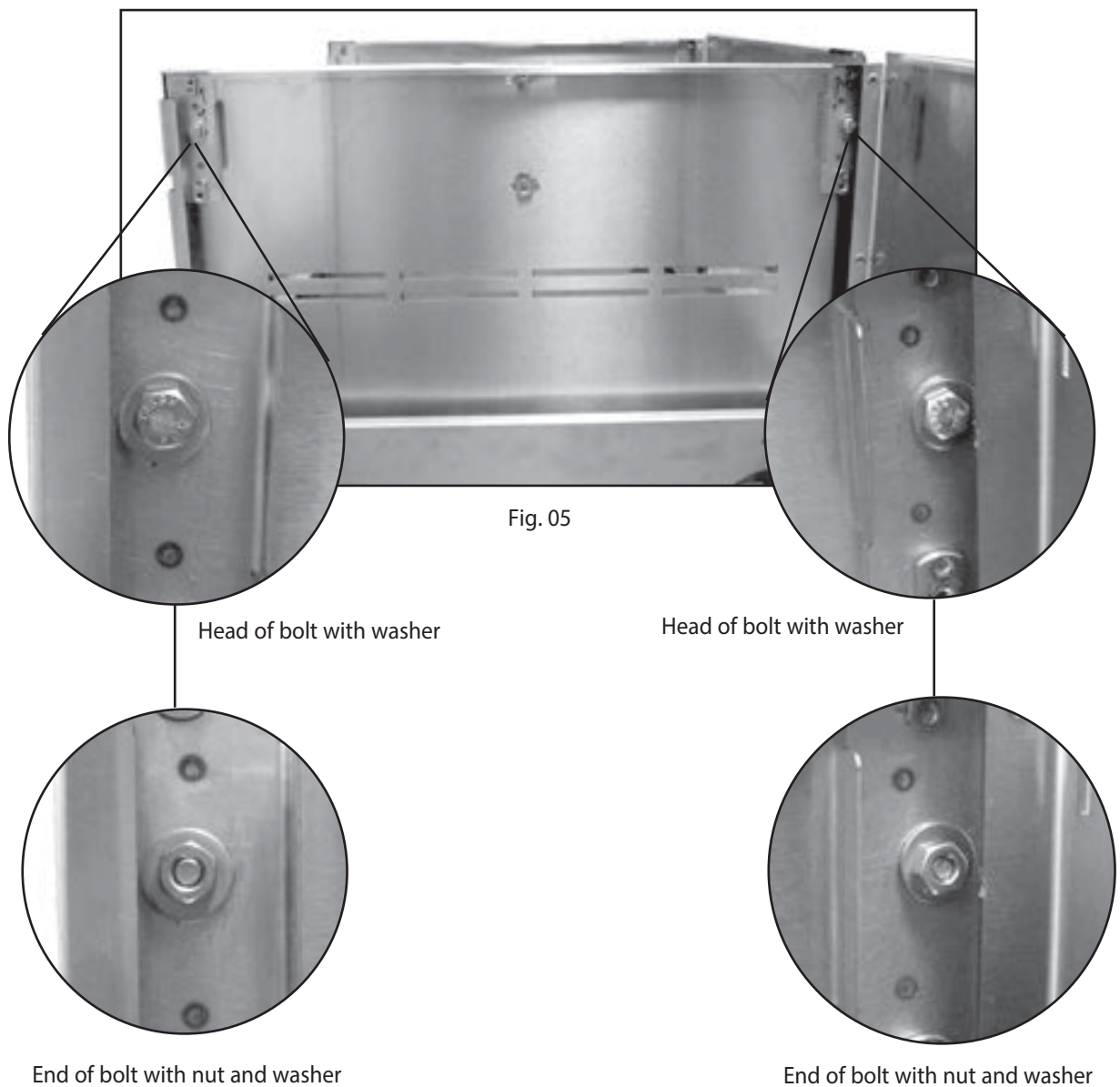
#### Link Carts Together (optional)

(To link two or more CAD carts, the following instructions must be done first, using the hardware provided, before installing the top modules.)

1. To link your carts together - hand tighten 2 bolts, 4 washers, and 2 nuts on the front and back sides of the carts as shown in Fig. 04. Carefully wrench tighten fasteners once carts are aligned with each other.

### CAUTION:

Once the carts are linked, they cannot be moved. Moving the carts once linked could damage the carts.



# INSTALLATION

## CART ASSEMBLY INSTRUCTIONS

### Step 2 Outdoor Appliance Head Preparation

1. First you will need to remove the angle brackets from the side of the unit and replace them with cart mount brackets (Fig. 06). Unit is shipped prepared for island installation.
2. Install the bracket tab on both sides of the appliance head using 8 of the 10-24 x 1/2" screws. Install each bracket with 4 screws on each side of the outdoor appliance head (Fig. 07 and 08).

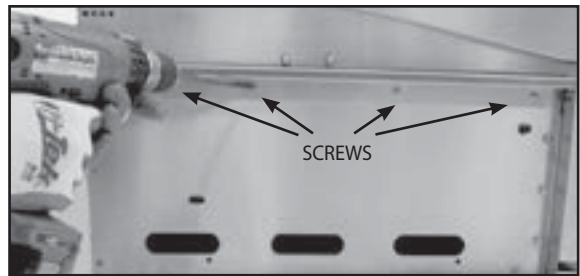


Fig. 06

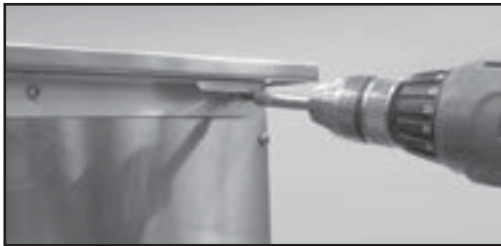


Fig. 07

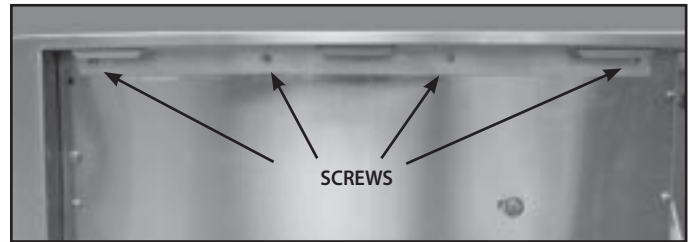


Fig. 08

### Step 3 Head Placement onto Cart (2 Persons Required)

1. Remove drip tray/pan (Fig. 09) and other removable components (to lighten the load) such as grates, top burner caps and components, and griddle flue cover, radiant tray and grill burner for easier handling.
2. Two persons required to lift head (sink module shown). Placing head on cart, place rear of head over the rear of the cart first (Fig. 10). Then allow the rear side tabs to first locate in the slots on the top of the cart sides. The other tabs will locate in the middle and front slots as the head is lowered into position on the cart (Fig. 11).



Fig. 09

3. Position tabs on side bracket to fit into slots on the cart (be aware of pinch points)(Fig. 11 -13). When complete, the leading ledge should sit flush on the top of the cart (no gap).
4. Secure the head to rear of cart (Fig. 14) with (2) Phillips-head screws provided (10-24 x 1/2")(p/n 211242).



Fig. 10

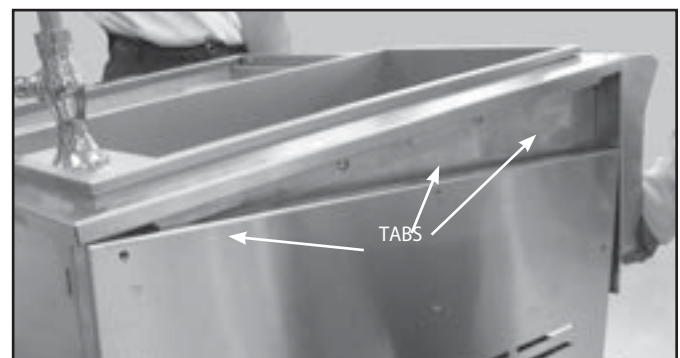


Fig. 11

# INSTALLATION

## CART ASSEMBLY INSTRUCTIONS

3. Position tabs on side bracket to fit into slots on the cart (be aware of pinch points)(Fig. 12-13). When complete, the leading ledge should sit flush on the top of the cart (no gap)(Fig. 14).

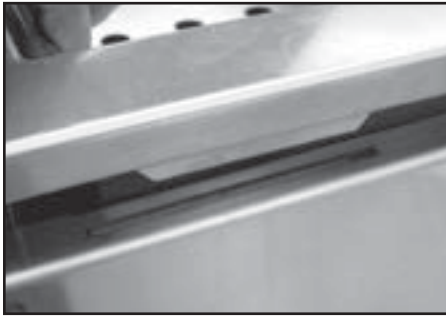


Fig. 12

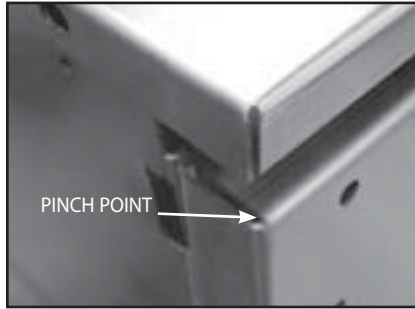


Fig. 13



Fig. 14

4. Secure the head to rear of cart (Fig. 15) with (2) Phillips-head screws provided (10-24 x 1/2").
5. Install remaining (3) screws (10-24 x 1/2") into the front of head to the cart (Fig. 16).
6. Slide drip tray/pan back into place and reinstall parts removed in Step 3, #1.



Fig. 15

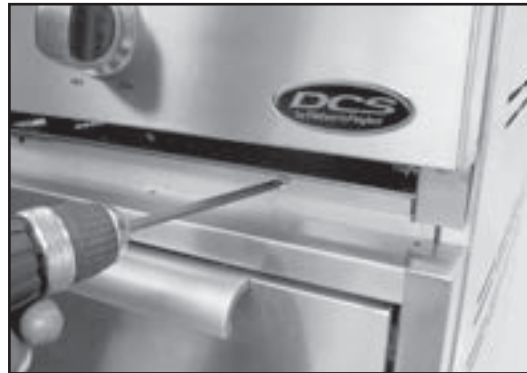


Fig. 16



# INSTALLATION

## CART ASSEMBLY INSTRUCTIONS

### Step 4

#### Gas Hookup - LP

Make sure the cart assembly is stable. Open the tank drawer. Place the LP tank into location as shown in Fig. 17. Connect the regulator assembly to the tank connection with all appliances valves in the "OFF" position. Open the tank valve and test for gas leaks (Fig. 18).



Fig. 17



Fig. 18

### FOR YOUR SAFETY

To prevent personal injury or damage to the drawers, do not overload them. The maximum rating of each drawer is 35 pounds.



### WARNING!

Do not push down on the top of the drawers. The unit could tip forward.

### COVER HANGER

To use the cover hangers provided, first place the cover hanger into the slot on the side or rear of your Cart (Fig. 19). Then hang the cover in either direction. (Fig. 20 or 21).

#### Note:

*Do not move the cart while the covers are hung. This could cause the covers to fall off the hangers and damage the covers.*

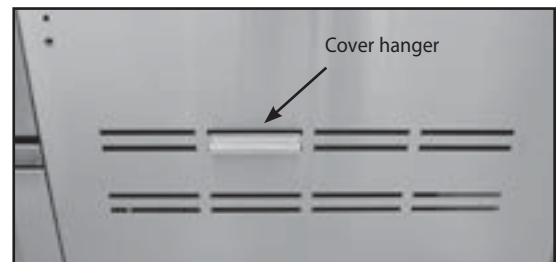


Fig. 19



Fig. 20



Fig. 21

# INSTALLATION

## GAS HOOK-UP

### GAS REQUIREMENT

Verify the type of gas supply to be used, either natural or LP, and make sure the marking on the appliance rating plate agrees with that of the supply. The rating plate is located on the bottom of the outdoor appliance. Never connect an unregulated gas line to the appliance. You must use the gas regulator provided with the unit even if the supply is controlled.

An installer-supplied gas shut-off valve must be installed in an easily accessible location. All installer supplied parts must conform to local codes, or in the absence of local codes, with the National Electrical Code, ANSI/NFPA 70 or the Canadian Electrical Code, CSA C22.1, and the National Fuel Gas Code, ANSI Z223.1 or CSA B149.1 Natural Gas Installation Code or CSA B149.2 Propane Installation Code.

All pipe sealants must be an approved type and resistant to the actions of LP gases. Never use pipe sealant on flare fittings. All gas connections should be made by a qualified technician and in accordance with local codes and ordinances. In the absence of local codes, the installation must comply with the National Fuel Gas Code, ANSI Z223.1. Gas conversion kits are available from the factory. When ordering gas conversion kits, have the model number, and the type of gas (natural or LP) from your outdoor appliance.

### TOTAL GAS CONSUMPTION OF THE OUTDOOR APPLIANCE WITH ALL BURNERS ON HI/SEAR:

BFGC-30G - 50,000 Btu/hr    BFGC-30BGD - 49,000 Btu/hr    BFGC-30BS - 34,000 Btu/hr

The appliance and its individual shut-off valve must be disconnected from the gas supply piping system during any pressure testing of that system at test pressures in excess of 1/2 PSIG (3.5 kPa.). The appliance must be isolated from the gas supply piping system by closing its individual manual shut-off valve during any pressure testing of the gas supply piping system at test pressures equal to or less than 1/2 PSIG (3.5 kPa.). The installation of this appliance must conform with local codes or, in the absence of local codes, with the National Fuel Gas Code, ANSI Z223.1. Installation in Canada must be in accordance with the Standard Can1-b149.1 and/or .2 (installation code for gas burning appliances and equipment) and local codes.

### NATURAL GAS HOOK UP: (THIS TYPE OF CONNECTION SHOULD BE PERFORMED BY A CERTIFIED OR LICENSED TECHNICIAN ONLY.)

**Connection:** 1/2" NPT male with 3/8" flare adapter.  
**Operating pressure:** 4.0" W.C. **Supply pressure:** 5" to 14" water column. If in excess of 14" W.C., a step-down regulator is required. Check with your local gas utility company or local codes for instructions on installing gas supply lines. Be sure to check on type and size of run, and how deep to bury the line. If the gas line is too small, the outdoor appliance will not function properly. Any joint sealant used must be an approved type and be resistive to the actions of natural gases.

### TO HOOK-UP THE FITTINGS SUPPLIED WITH THE OUTDOOR APPLIANCE:

Assemble as shown (Fig. 22). Use threading compound on male threads only. Do not use threading compound on the male end of the 1/2" NPT to 3/8" flare adapter. Use a second pipe wrench to hold the outdoor appliance inlet pipe to avoid shifting any internal gas lines of the outdoor appliance. Ensure that the regulator arrow points in the direction of gas flow towards the unit, away from the supply. Do not forget to place the installer-supplied gas valve in an accessible location.

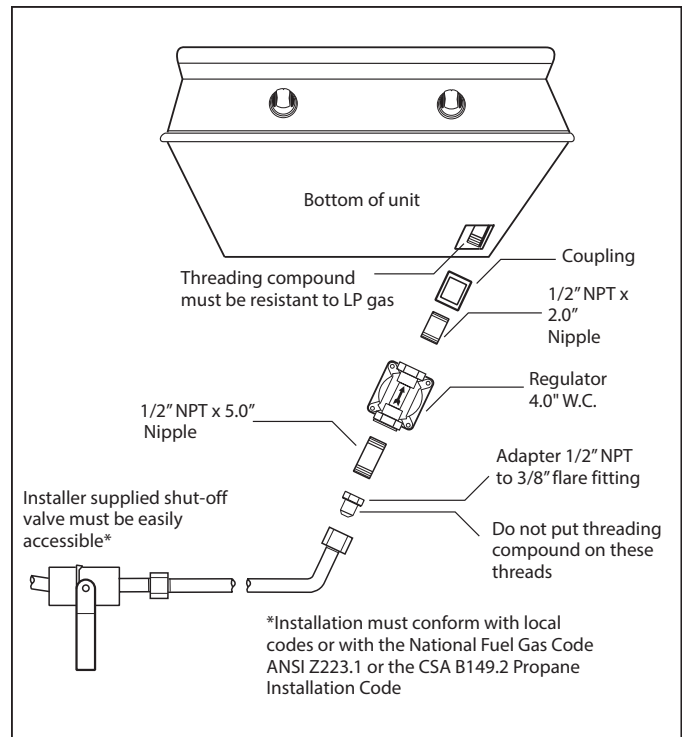


Fig. 22 Natural Gas

# INSTALLATION

## GAS HOOK-UP

### LP GAS HOOK UP (TYPE 1 OR QCC1 REGULATOR):

All outdoor appliances orificed for use with LP gas come equipped with a high capacity hose/regulator assembly for connection to a standard 20 lb. LP cylinder (Type 1). The LP tank is not included.

**Connection:** 1/2" NPT male with a 3/8" Flare adapter (included). LP Hose with a quick disconnect and fittings are included. **Operating pressure:** 11.0" W.C.

### CAUTION!

Before connecting LP tank to regulator, check that all burners are in the "OFF" position and the lid has been removed.

To connect the LP regulator/hose assembly to the tank/valve assembly, first make sure the main valve on the tank is completely closed. Although the flow of gas is stopped when the Type 1 system is disconnected as part of its safety feature, you should always turn off the LP tank main valve (Fig. 23) after each use and during transport of the tank or unit. Insert the regulator inlet into the tank valve and turn the black coupler clockwise until the coupler tightens up. **Do not overtighten the coupler.** Turn the main tank valve on, push and turn the burner control valves on the unit to the "HI" position for about 20 seconds to allow the air in the system to purge, turn valves off and wait 5 minutes before attempting to light the burners.

To disconnect the coupler, first make sure the main tank valve is turned off. Grasp the coupler and turn counter clockwise. The inlet will then disengage. Remove the inlet from the tank valve opening if it has not already done so when it disengaged. Your local LP filling station should be equipped with the proper equipment to fill your tank.

### LP TANK REQUIREMENTS:

A dented or rusty LP tank may be hazardous and should be checked by your LP supplier. The cylinder that is used must have a collar to protect the cylinder valve. Never use a cylinder with a damaged valve. Always check for leaks after every LP tank change. The LP gas cylinder must be constructed and marked in accordance with the specifications for LP gas cylinders of the U.S. Department of Transportation (DOT or CAN/CSA-B339) and designed for use with a Type 1 system only. Do not change the regulator/hose assembly from that supplied with the unit or attempt to use a Type 1 equipped regulator/hose assembly with a standard 510 POL tank/valve assembly. The cylinder must be provided with a shut-off valve terminating in a LP gas supply cylinder valve outlet specified, as applicable, for connection Type 1. **If the appliance is stored indoors, the cylinder must be disconnected and removed from the appliance. Cylinders must be stored outdoors in a well-ventilated area out of the reach of children.**

#### Note:

*When an LP unit is directly attached into an LP house system, the step-down regulator MUST be used to reduce the supply pressure to a max. 14" W.C. and min. 11" W.C. to the outdoor appliance regulator.*

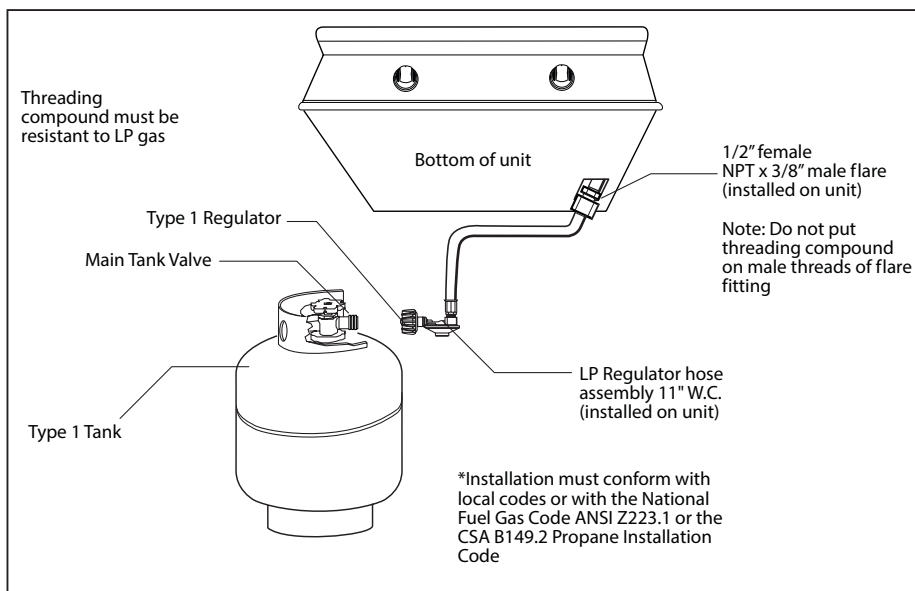


Fig. 23 LP Gas

# INSTALLATION

## GAS HOOK-UP

### LP TANK RESTRAINT FOR BUILT-IN INSTALLATION

If the grill is to be installed in a Built-in application, then the grill must be installed in accordance with the Built-in installation guidelines.

If you intend to operate your Built-in grill on LP gas utilizing a 20 lb Type 1 cylinder, then the Built-in LP tank restraint must be installed prior to initial use of the grill. If you do not have one please contact DCS Customer Care at (888) 936-7872 for information on obtaining one.

The following steps will illustrate how to properly locate and install the LP tank restraint within the Built-in enclosure.

**NOTE:**

*The grill comes with the LP Regulator/Hose assembly installed at the factory. The assembly, along with the entire grill system, is leak tested.*

*Do not remove the Regulator/Hose assembly from the grill during installation.*

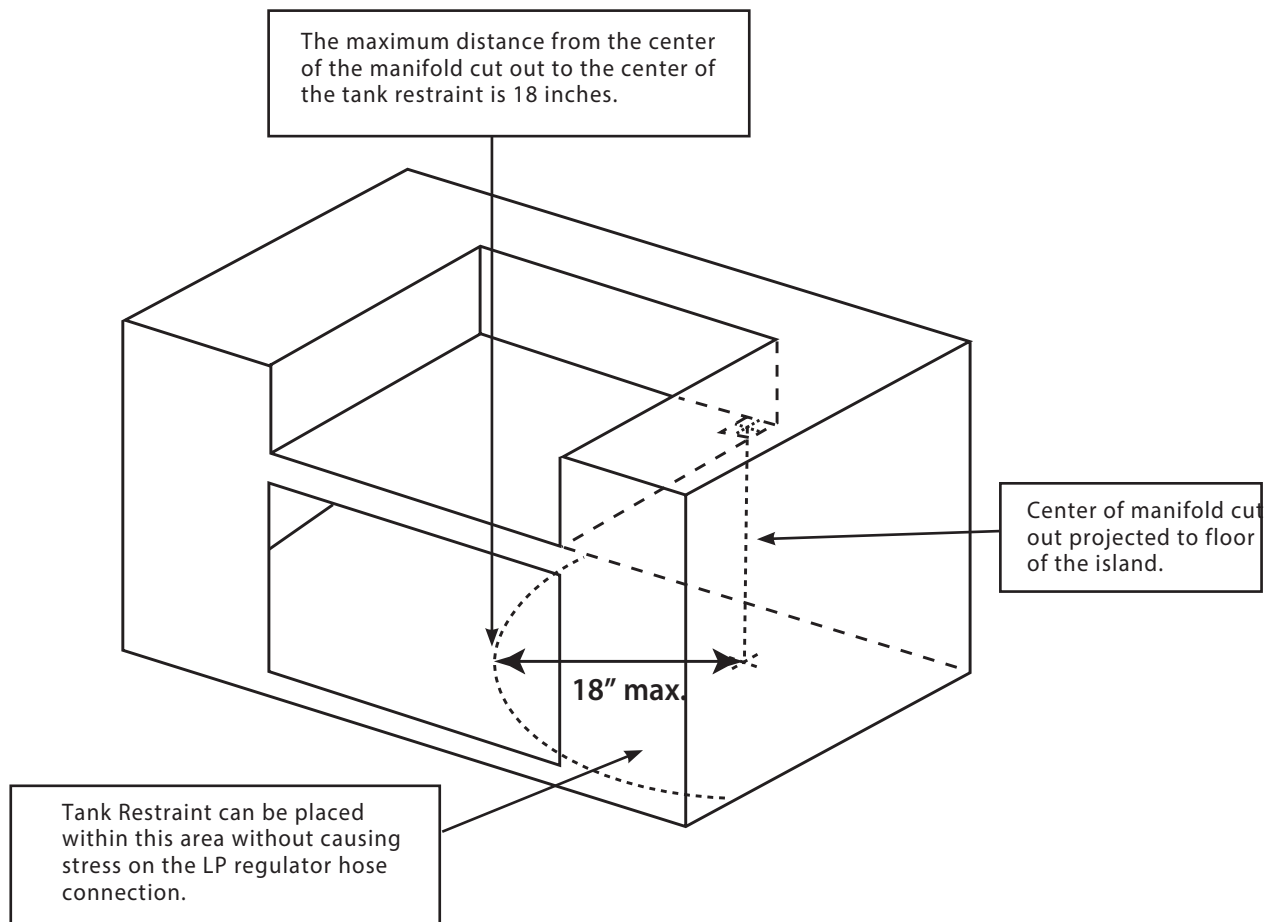


Fig. 24

# INSTALLATION

## GAS HOOK-UP

### STEP 1

Place the tank restraint in the island (Fig. 25).

### STEP 2

Locate the tank restraint in the island within the recommended area (Fig. 24 and 26).

### STEP 3

Once located, secure to the bottom of the island using all eight hole locations provided on the restraint. Wood screws can be used for wooden floors or 1/4 inch diameter anchor screws or bolts may be used if the floor is concrete or masonry (Fig. 27).

### STEP 4

When secure, place the LP cylinder into the tank restraint making sure to seat the tank all the way down, securely affixing the tank in the restraint (Fig. 28).

### STEP 5

Attach the regulator hose assembly and operate the grill normally as described in the Use and Care manual (Fig. 29).

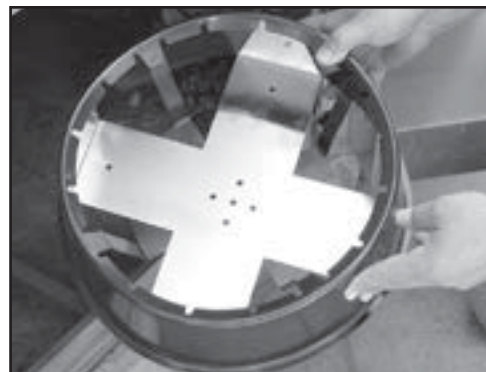


Fig. 25



Fig. 26



Fig. 27



Fig. 28

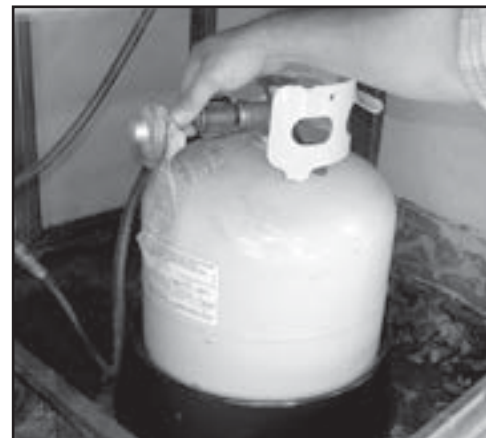


Fig. 29

# INSTALLATION

## LEAK TESTING - GRILL/GRIDDLE UNIT

### GENERAL:

Although all gas connections on the outdoor appliance are leak tested at the factory prior to shipment, a complete gas tightness check must be performed at the installation site due to possible mishandling in shipment, or excessive pressure unknowingly being applied to the unit. Periodically check the whole system for leaks, or immediately check if the smell of gas is detected.

### Before Testing:

**Do not smoke while leak testing. Extinguish all open flames. Never leak test with an open flame.** Make a soap solution of one part liquid detergent and one part water. You will need a spray bottle, brush, or rag to apply the solution to the fittings. For LP units, check with a full cylinder. The valve panel must be removed to check the valves and fittings. Remove the knobs, then remove the 2 screws which fasten the valve panel to the unit (you will need a Phillips screw driver for this). Pull the valve panel outward and unplug the wires from the ignition module.

### To Test:

Make sure all control valves are in the "OFF" position. Turn the gas supply "on". Check all connections from the supply line, or LP cylinder up to and including the manifold pipe assembly. Apply the soap solution around the connection, valve, tubing and end of the manifold. Soap bubbles will appear where a leak is present. If a leak is present, immediately turn off gas supply, tighten any leaking connections, turn gas on, and recheck. Check all the gas connections at the base of the control valves where they screw into the manifold pipe.

If you cannot stop a gas leak, turn off the gas supply and call your local gas utility, or the dealer you purchased the appliance from. Only those parts recommended by the manufacturer should be used on the outdoor appliance. Substitution can void the warranty.

## **WARNING!**

**Do not use the outdoor appliance until all connections have been checked and do not leak.**

Check all gas supply fittings for leaks before each use. Keep a spray bottle of soapy water near the gas supply shut-off valve. Spray all the fittings. Bubbles indicate leaks.

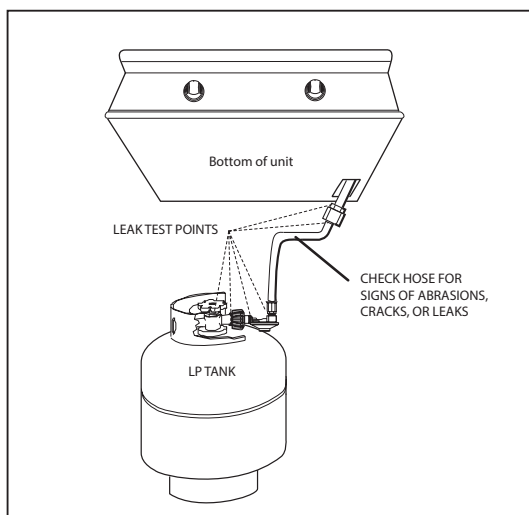


Fig. 30 LP Gas

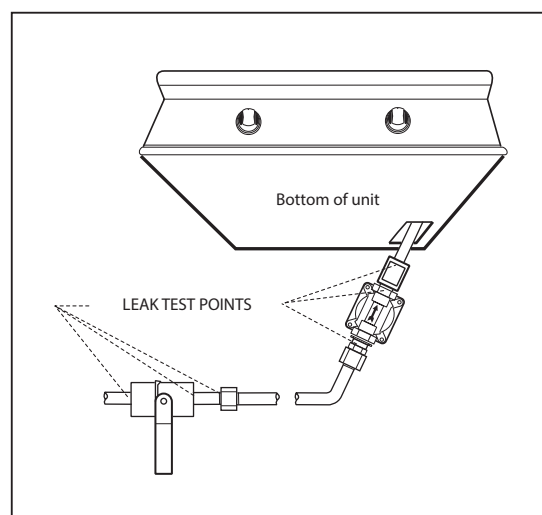


Fig. 31 Nat. Gas

# INSTALLATION

## LEAK TESTING - SIDE BURNER

### **WARNING!**

Do not smoke while leak testing. Extinguish all open flames.

Make a soap solution of one part liquid detergent, and one part water. Never test for leaks with an open flame. For LP units, check with a full cylinder. Make sure all control valves are in the "OFF" position. Turn the gas supply "ON". Check all connections from the supply line (Fig. 31), or LP cylinder (Fig. 30) up to the manifold pipe assembly (Fig. 32). Apply the soap solution around the connection with a spray bottle, brush, or rag. Soap bubbles will appear where leak is present. If a leak is present, turn off gas supply, tighten any leaking fittings, turn gas on, and recheck.

### **WARNING: IMPORTANT!**

Inspect the gas supply piping or hose prior to turning the gas "ON". If there is evidence of cuts, wear or abrasion, it must be replaced prior to use. Do not use the side burner if the odor of gas is present. Turn the control knob to "OFF", then turn off the gas supply. If using LP, is there gas in the tank? Always keep your face and body as far away from the burner as possible when lighting.

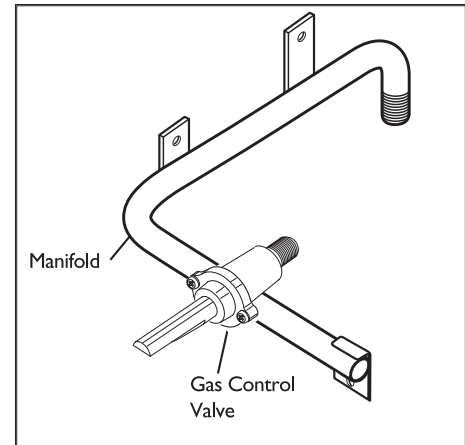


Fig. 32

## BURNER ADJUSTMENT - SIDE BURNER

Your new side burner is equipped with burners typical of those used in restaurants (Fig. 33). These burners are designed for maximum cleanability and controlability. The burner should never be operated if the cap is not in place.

### **BURNER EFFICIENCY AND FLAME CHARACTERISTICS**

It is necessary to keep the burner ports and the igniters clean for proper lighting and efficient performance of the burners. The burner flame should burn completely around the burner with no excessive noise or lifting. The flame should be blue in color and stable with no yellow tips. During initial use, foreign particles in the gas line, or dust in the air around the appliance may cause an orange flame. This will disappear with use.

### **FLAME HEIGHT**

The correct height of the flame mainly depends on the size of the bottom of the cooking utensil, the material of the cooking utensil, the amount and type of food and the amount of liquid in the utensil. The following are some basic rules for selecting flame height.

- For safety reasons the flame must never extend beyond the bottom of the cooking utensil. Never allow flames to curl up the side of the pan (see Fig. 34).
- Utensils which conduct heat slowly (such as glass-ceramic) should be used with medium to low flames. If you are cooking with a large amount of liquid, a slightly larger flame can be used.

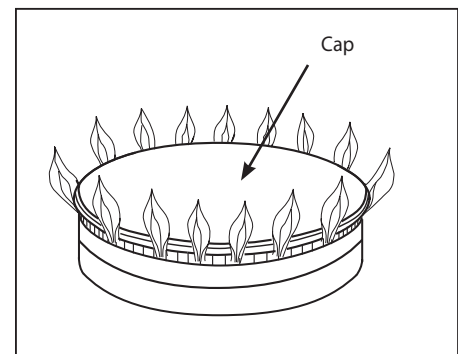


Fig. 33

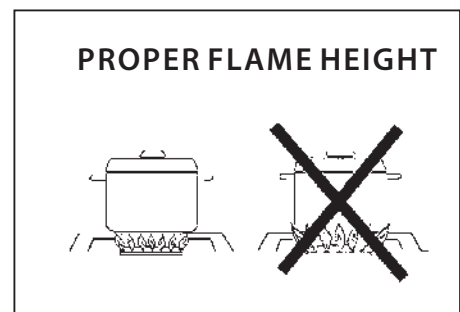


Fig. 34

# INSTALLATION

## BURNER ADJUSTMENT - GRILL/GRIDDLE UNIT

Each outdoor appliance burner is tested and adjusted at the factory prior to shipment; however, variations in the local gas supply or a conversion from one gas type to another may make it necessary to adjust the burners. The flames of the burners should be visually checked and compared to that of the drawing in Fig. 35. Flames should be blue and stable with no yellow tips, excessive noise or lifting. If any of these conditions exist, check if the air shutter or burner ports are blocked by dirt, debris, spider webs, etc. Proceed with air shutter adjustment. The amount of air which enters a burner is governed by a sheet metal cup at the inlet of the burner called an air shutter. It is locked in place by a screw which must be loosened prior to lighting the burner for adjustment.

### OUTDOOR APPLIANCE BURNER FLAME HEIGHT:

To access the outdoor appliance burner air shutters, first remove the valve panel by removing it the same way as described on page 20, section "Before Testing". With a screw driver, loosen the lock-screw on the face of the air shutter. Light the burner and adjust according to the directions (Fig. 35).

#### To Adjust:

1. Be careful as the burner may be very hot.
2. If the flame is yellow, indicating insufficient air, turn the air shutter counterclockwise to allow more air to the burner.
3. If the flame is noisy and tends to lift away from the burner, indicating too much air, turn the air shutter clockwise.
4. Once adjusted turn the burner off and reverse steps to reassemble.

### LOW SETTING ADJUSTMENT:

The valves on the outdoor appliance feature an adjustable low setting. Due to fluctuations in gas pressure, heating value or gas conversion, you may feel it necessary to increase or decrease gas flow in the low position.

#### To Adjust:

1. Light the burner.
2. Turn the control knob to the lowest setting (all the way counter-clockwise).
3. Remove the knob.
4. While holding the valve shaft with pliers, insert a thin, flat tipped screwdriver into the shaft and while viewing the burner adjust to a minimum stable flame (Fig. 36).

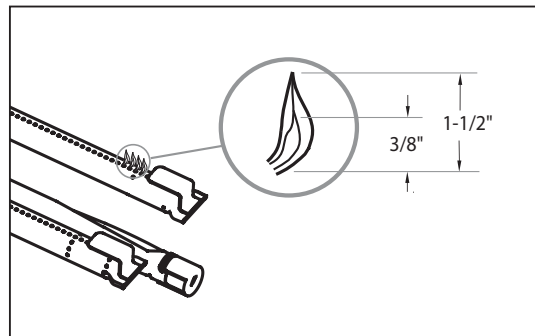


Fig. 35 Burner Flame Height

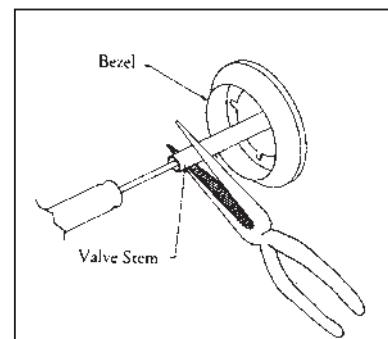


Fig. 36 Low Setting Adjustment

## **WARNING: IMPORTANT!**

Before lighting, inspect the gas supply piping or hose prior to turning the gas "on". If there is evidence of cuts, wear, or abrasion, it must be replaced prior to use.



# INSTALLATION

## RADIANT ASSEMBLY

### RADIANT ASSEMBLY INSTALLATION:

1. Unpack ceramic rods and remove radiant (Fig.37) from the unit.
2. Unlock radiant end cap by pushing it up with two fingers (Fig. 38).
3. Place 18 ceramic rods on the radiant (Fig. 39).
4. Lock radiant end cap (Fig. 40).
5. Place the assembled radiant in the unit (Fig. 41).



Fig. 37

### IMPORTANT:

Placement of the trays in the grill are critical to ensure even cooking performance. Lock radiant end caps must be in the middle of the grill. See Figure 41.



Fig. 38



Fig. 39



Fig. 40

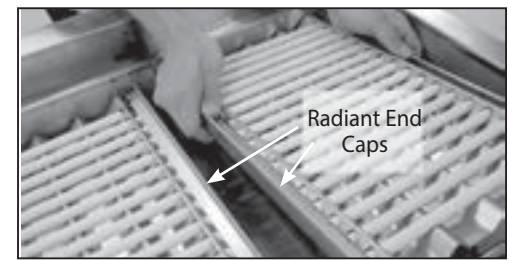


Fig. 41

### Note:

*In case a ceramic rod breaks:*

- a) Unlock radiant end cap by pushing it up with two fingers (Fig. 38) or pliers may be used.
- b) Replace broken ceramic rod.
- c) Lock radiant end cap.

# INSTALLATION

## SINK

### FAUCET INSTALLATION

1. Attach the faucet to the sink as shown in Fig. 42 and 42a.

### CAUTION:

Finger tight first, then use a 1" wrench.



Fig. 42

2. Insert drain plug into the drain hole Fig. 43.



Fig. 43

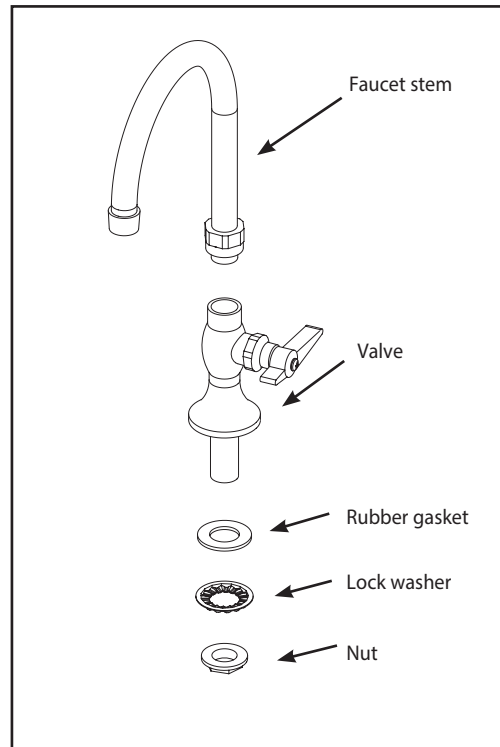


Fig. 42a

### **WARNING!**

The sink is intended for hand washing and cleaning activities. The sink should not be used for potable water or food preparation activities unless installed by a certified plumber and per local codes.

### SINK INSTALLATION

#### Permanent Water/Drain Installation (Island Installation)

Use a certified plumber to connect and install water supply and drain system per local code requirements. Make sure you have the drain connections in accordance with local codes.

Sink water inlet connection is 1/2 male NPS.

Sink water drain connection is 1-1/2 male NPS.

#### Sink Water Installation on Cart CAD-30

An optional Sink Drain Accessory Kit Model #70855 is available from your local dealer.

1. Set the burner box securely on a table and attach (installer provided) water supply hose through the hole at the bottom of the burner box, and attach it to the faucet using a wrench.

# INSTALLATION

## SIDE SHELF (Optional accessory)

Attach Side Shelf Accessory on Either Side. Side shelf Model CAD-SK can be installed with the head already on the cart.

1. Screw shoulder bolts (2) into the bottom screw holes on the side of the cart only (Fig. 44 and 45). Tighten with 5/32 Allen wrench.

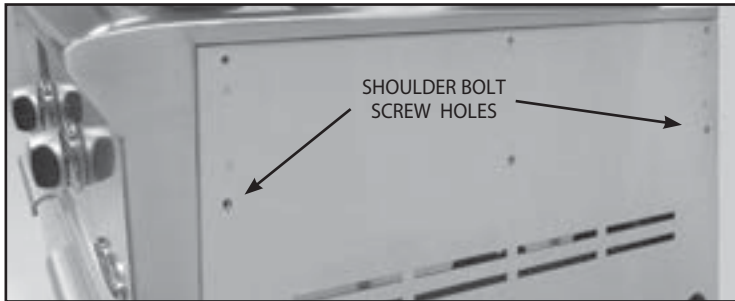


Fig. 44

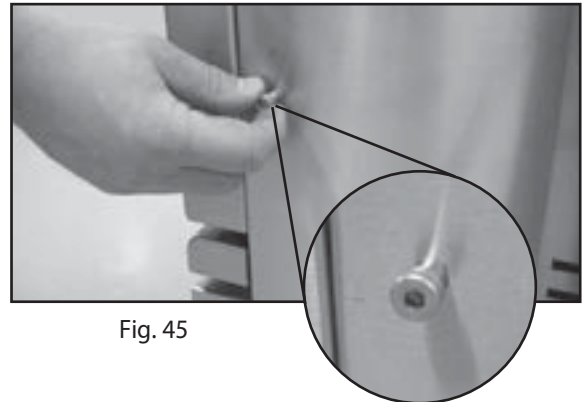


Fig. 45

2. Slide left and right side shelf brackets over the shoulder bolt (Fig. 46) and install top screw attaching the side shelf brackets onto the cart (Fig. 47). Tighten with Phillips screwdriver.



Fig. 46



Fig. 47

3. Holding the side shelf, install 2 shoulder bolts into the slot and screw into the side shelf tray (Fig. 48). Tighten with a 3/16 Allen wrench (Fig. 49).



Fig. 48

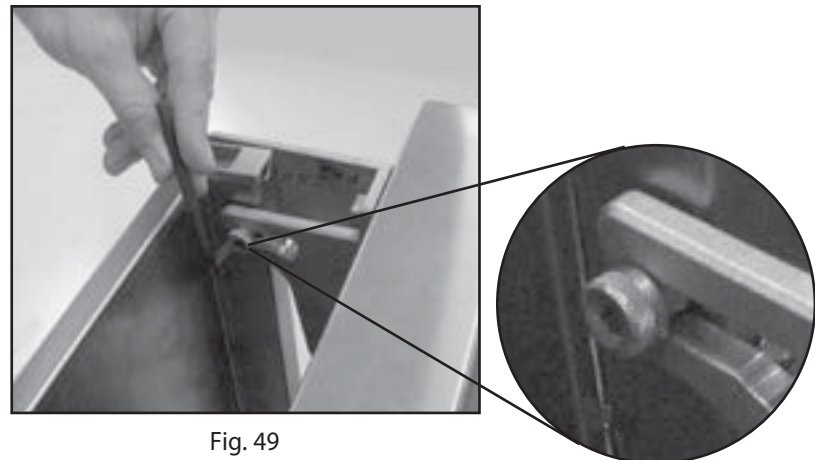


Fig. 49

# INSTALLATION

## SIDE SHELF (Optional accessory)

4. Place shelf in the up position and check that it is level.

If shelf is not level, adjust side shelf set screw. Set screws can be adjusted using a 3/32 Allen wrench (Fig. 50). Turn the Allen wrench clockwise to raise the shelf. Turn 1/4 turn and review to see if the shelf is level. The set screws in the left and right bracket should be adjusted equally to ensure the shelf sits level (Fig. 51).



Fig. 50

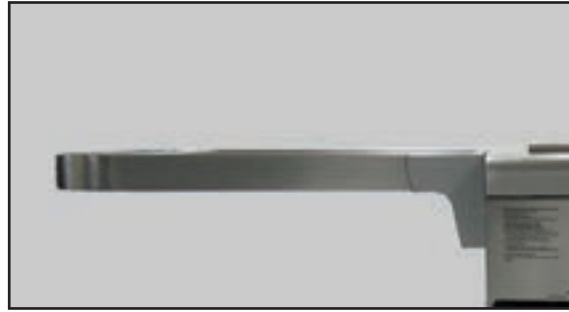


Fig. 51

## CHECK LIST

- |   |   |   |
|---|---|---|
| <input type="checkbox"/> Specified clearances maintained to combustibles.                             | <input type="checkbox"/> Adjustable low setting satisfactory.   | supply shut-off valve location.                                       |
| <input type="checkbox"/> Verified proper enclosure ventilation.                                       | <input type="checkbox"/> Drip pan in place properly and sliding freely.                                 | <input type="checkbox"/> All radiants are assembled and put in place. |
| <input type="checkbox"/> All internal packaging removed.  | <input type="checkbox"/> Pressure regulator connected and set for 4.0" W.C. Natural, 11.0" W.C. LP gas. | ■ PLEASE LEAVE THESE INSTRUCTIONS WITH THE USER.                      |
| <input type="checkbox"/> Knobs turn freely, bezels centered.  | <input type="checkbox"/> Manual shut-off valve installed and accessible.                                | ■ USER, PLEASE RETAIN THESE INSTRUCTIONS FOR FUTURE REFERENCE.        |
| <input type="checkbox"/> Each burner lights satisfactorily, individually or with adjacent burner lit. | <input type="checkbox"/> Unit tested and free of gas and water leaks .                                  |   |
| <input type="checkbox"/> Air shutters adjusted.   | <input type="checkbox"/> User informed of gas   |   |

# USING THE GRILL

## LIGHTING INSTRUCTIONS

### Note:

*Remove the top grill cover before lighting. Turn all knobs to "OFF". Turn the main gas supply on. If you smell gas, shut-off gas supply and call for service.*

### Grill Lighting Instructions:

The grill knob is connected to the electronic ignition module. Pushing in on the grill knob will activate the ignition module to get a spark. Push and hold the ignition button, turn the selected burner knob to "SEAR". If burner does not light in 4 to 5 seconds, turn knob "OFF" and wait 5 minutes before trying again for any accumulated gas to dissipate.

### Grill Match Lighting:

If the burner will not light after several attempts, then the burner can be match lit. If you've just attempted to light the burner with the ignition, allow 5 minutes for any accumulated gas to dissipate. Keep your face as far away from the outdoor appliance as possible and hold a paper book match over the hole located on the top left for burner on the left, or the right hole for the right burner (Fig. 52 and Fig. 53). Push and turn the control knob which is centered on the burner where the lit match is located, to "SEAR". If the burner does not light in 4 seconds, turn the knob off, wait 5 minutes and try again.

Once the left or right burner is lit, the adjacent burner can be lit by the cross-lighting method. Light the left or right burner using the standard or match light procedure. Push and turn the control knob for the adjacent burner to "SEAR". The gas will be ignited by the adjacent burners flame. If the burner does not light in 4 seconds, turn knob off, wait 5 minutes and try again.



Fig. 52

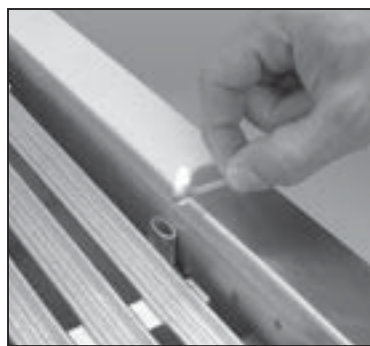


Fig. 53

## USE OF THE GRILL

Each grill section consists of a large stainless steel burner, stainless steel heat baffles, a series of ceramic rods encased in a stainless steel radiant tray, and a stainless steel heat retaining grates. Each burner is rated at 25,000 Btu/hr. Below the burners there is a stainless steel heat baffle which reflects usable heat upward into the cooking area and reduces temperatures of the drip pan below. Above the burners are stainless steel radiant trays which encase the ceramic rods and protect the grill burner ports from blockage (Fig. 54).

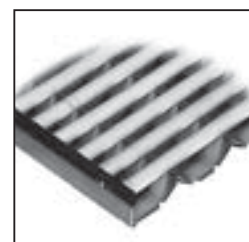


Fig. 54

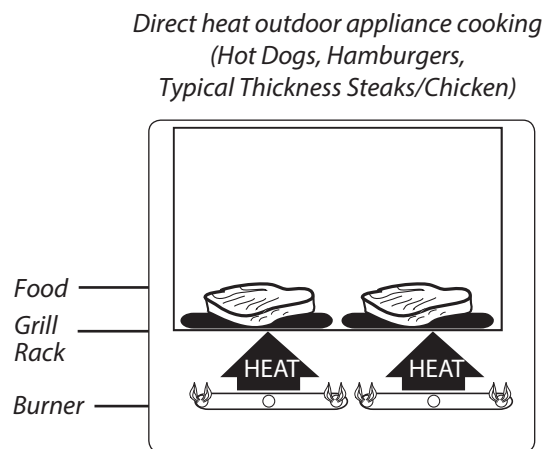
The grill is supplied with radiant ceramic rods. Because of the porosity of ceramic rods, performance is superior in the rods' ability to capture heat as it rises from the grill burners. They also possess the thermal mass needed for results. Flare ups are controlled because our radiant ceramic rods keep grease from getting to the flames and igniting. The intense heat produced by this system produces true outdoor-cooked flavor as fats and juices are brought to the surface of the food and caramelized. Discoloration is normal after use.

# USING THE GRILL

## IMPORTANT - Using the Grill:

Grilling requires high heat for searing and proper browning. Most foods are cooked between “MEDIUM” and “LOW” heat setting for the entire cooking time. However, when cooking large pieces of meat or poultry, it may be necessary to turn the heat to a lower setting after the initial browning. This cooks the food through without burning the outside. Foods cooked for a long time or basted with a sugary marinade may need a lower heat setting near the end of the cooking time. It is best to use sugary sauces at the end of the cooking process to help prevent burning.

The grates are reversible. The “W” grate is used for meat products and lets the fat drain down the grooves. The opposite side is “U” shape for fish, vegetables, and fruit which don’t have any fat.



1. Check to be certain the drip pan and grease tray are in place.
2. Light the grill burners using the instructions on page 27.
3. Preheat the grill for 5 to 10 minutes on “SEAR” setting.
4. Place the food on the grill grates and cook to the desired doneness. Adjust heat setting, if necessary. The control knob may be set to any position between “SEAR” and “LOW” - most cooking is done between “MED” and “LOW” settings.
5. Allow grill to cool and clean the grates and drip pan after each use.

### **Note:**

*If using LP gas, your preheat time may be shorter than recommended. To prevent overcooking or burning, you may want to lower heat settings.*

### **GRILLING HINTS:**

The doneness of meat, whether rare, medium, or well done, is affected to a large degree by the thickness of the cut. Expert chefs say it is impossible to have a rare doneness with a thin cut of meat. The cooking time is affected by the kind of meat, the size and shape of the cut, the temperature of the meat when cooking begins, and the degree of doneness desired. When defrosting meats, it is recommended that it be done overnight in the refrigerator as opposed to a microwave. This in general yields a juicier cut of meat. Use a spatula instead of tongs or a fork to turn the meat, as a spatula will not puncture the meat and let the juices run out. To get the juiciest meats, add seasoning or salt after the cooking is finished and turn the meat only once (juices are lost when the meat is turned several times). Turn the meat just after the juices begin to bubble to the surface. Trim any excess fat from the meat before cooking. To prevent steaks or chops from curling during cooking, slit the fat around the edges at 2-inch intervals.

# USING THE SIDE BURNER

## LIGHTING INSTRUCTIONS

First remove the cover and any cooking utensils from the burner grate. Check to see if the burner cap is on correct. Push, turn and hold the control knob in at the "HI" position until the burner is lit or 4 seconds pass (Fig. 55). If the burner doesn't ignite, wait 5 minutes for any accumulated gas to dissipate then try again. If the burner will not light after several attempts, check the troubleshooting instructions on page 36.

## MATCH LIGHTING

Hold a paper book match near the burner ports, turn the control knob counterclockwise to "HI". Rotate the knob immediately once the burner is lit to the desired setting.

### **Note:**

*If you are using propane gas, a slight pop or flash may occur at the burner ports a few seconds after the burner has been turned "off". This "extinction pop" is normal for propane gas.*



Fig. 55

# USING THE GRIDDLE

The griddle is made from stainless steel, highly polished to provide a smooth cooking surface. It is normal for it to darken with use as oils cook onto the surface to provide a nonstick base or “seasoning”. Since the griddle is made from stainless steel, the surface will not rust. However, after use it may have a rust stain or rust color. The griddle burner is controlled by the gas burner underneath the griddle plate and cycles on and off to maintain the set temperature. The griddle assembly is not to be removed for cleaning and is held in place by one front screw and two rear screws. These are mainly there to keep the griddle from shifting in transit, thus avoiding breakage of any ignition components.

## THERMOCOUPLE

The griddle burner is equipped with a thermocouple and safety valve system which monitors the burner. This will turn the gas off if the burner isn’t lit or the knob is not held in. The burner will ignite within 4 seconds after the gas reaches the burner.

## BEFORE USING THE GRIDDLE FOR THE FIRST TIME OR TO RE-SEASON

1. Clean the griddle thoroughly with hot, soapy water to remove any protective coating.
2. Rinse with a mixture of 1/2 cup water and 1/4 cup white vinegar. Dry thoroughly.
3. Pour 1 teaspoon vegetable oil into the center of the griddle (do not use corn oil as it gets sticky). Rub the oil over the entire surface of the griddle using a heavy soft cloth.
4. Turn the control knob to a Medium setting (350° F). Turn the heat “off” when the oil begins to smoke. Allow the griddle to cool.
5. Repeat Step 3. Be sure to cover the entire surface with the oil.
6. Repeat Step 4. Allow the griddle to cool. Wipe the entire surface of the griddle using a heavy soft cloth. Apply a very thin layer of vegetable oil. The griddle is now ready to use. If the griddle is not used for a period of time, re-season it occasionally.

### NOTE:

*It is normal for the griddle to darken with use.*

## USE OF THE GRIDDLE

Before starting to cook on the griddle, be sure the flue cover (Fig. 56), grease cup and drip tray are in place. Preheat griddle for 15 minutes with the control knob set to “HI”. When the griddle is preheated, turn the knob to “MEDIUM” or “LOW” depending on the temperature desired. Place the food on the griddle and cook to desired doneness.

### NOTE:

*When the griddle is properly seasoned it can be used without any additional oil. However, oil can be used for flavor. A light mist of non-stick vegetable spray, applied before cooking to a cool griddle, makes delicate foods easier to turn.*

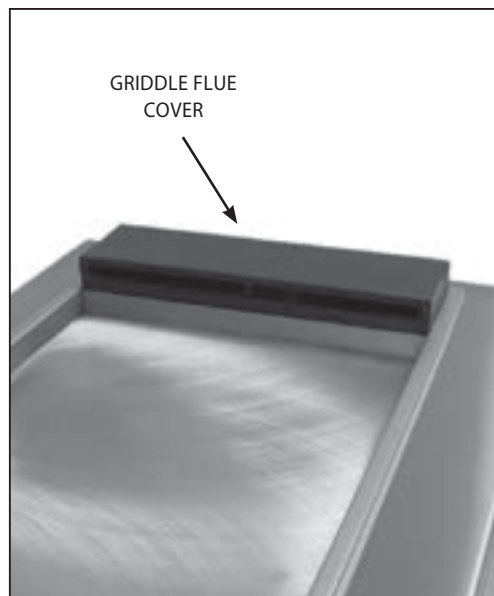


Fig. 56

FOOD	TEMPERATURE*
Eggs	225°F to 250°F
Bacon, Ham, Pork Chops	300°F to 325°F
Sausage, Grill Cheese Sandwiches	325°F to 350°F
Pancakes, French Toast	350°F to 375°F
Hash Brown Potatoes	400°F to 425°F

\*Griddle temperatures will vary do to air flow and ambient temperatures.



# USING THE GRIDDLE

## LIGHTING INSTRUCTIONS

Push in and turn griddle control knob to "HI" position. Pushing control knob in activates the ignition module and produces repeated sparking at burner igniter. Holding control knob in also opens the integral safety valve used for this section and starts the flow of gas to burner. Once burner is lit, continue to hold in the control knob for 10 seconds, or until burner remains lit after control knob is released. The knob can then be turned to desired position.

## MATCH LIGHTING

Insert a paper book match (DO NOT LIGHT) securely into the clip end of the match extension rod. Light the match held on the end of the rod and hold up against the bottom of the flash tube on the left side of the flue cover (Fig. 57). Push, turn and hold the griddle control knob to "HI". Once burner is lit, continue to hold in the control knob for 10 seconds, or until burner remains lit after control knob is released. The knob can then be turned to desired position. If the burner does not light after 4 seconds, turn the knob "OFF". Wait 5 minutes for any accumulated gas to dissipate before trying to light the burner again.

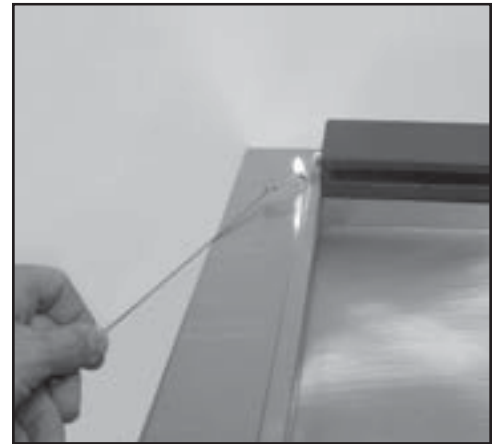


Fig. 57

# USING THE SINK

The sink is available to provide water to your Liberty collection. The faucet is in the “on” position when the lever is turned up (Fig. 58). The faucet is “off” when in the down position as shown in Figure 59.



Fig. 58



Fig. 59



## **WARNING!**

The sink is intended for hand washing and cleaning activities. The sink should not be used for potable water or food preparation activities unless installed by a certified plumber and per local codes.

# CARE AND MAINTENANCE

## BATTERY REPLACEMENT:

1. Remove drip pan.
2. Pull battery downward (This may require use of pliers.)
3. Re-install upward and push to snap in - Fig. 60.  
(Polarity is shown in Fig. 61).

### **Note:**

*Battery condition should be checked at least once a year.*

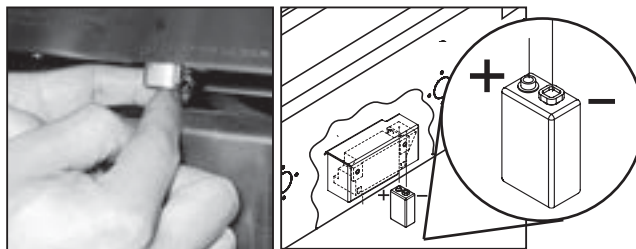


Fig. 60

Fig. 61

## REGULATOR AND HOSE REPLACEMENT

The pressure regulator and hose assembly supplied with the unit must be used. If replacements are needed, contact Customer Care for orders at (888) 936-7872. Do not use the outdoor appliance if the odor of gas is present. If the unit is LP, screw the regulator into the tank and leak check the hose and regulator connections with a soap and water solution before operating the outdoor appliance. Turn all knobs to "OFF" then turn on the gas supply. If LP, confirm there is gas in the tank.

- Always keep your face and body as far away from the outdoor appliance as possible when lighting.
- DO NOT leave the outdoor appliance unattended while cooking.
- Keep a spray bottle of soapy water near the gas supply valve and check the connections before each use.
- Do not attempt to "LIGHT" the outdoor appliance if the odor of gas is present.
- Wait 5 minutes before relighting a hot outdoor appliance.

## CLEANING GRILL GRATES:

The easiest way to clean the grill grates is immediately after cooking is completed and after turning off the flame. Wear a barbecue mitt to protect your hand from the heat and steam. Dip a fine stainless steel bristle barbecue brush in tap water and scrub the hot grates. Dip the brush frequently in the bowl of water. Steam, created as water contacts the hot grates, assists the cleaning process by softening any food particles. The food particles will fall onto the ceramic rods and burn or fall into the drip pan. If the grill is allowed to cool before cleaning, cleaning will be more difficult. After cleaning, apply a thin coat of vegetable oil to protect the grate from moisture and rust stains.



## **WARNING!**

**Do not put grease down any drain or sink. Place the cool grease in a container and throw into the trash.**

## DRIP PAN AND GREASE TRAY/GREASE CUP:

The full width drip pan with grease tray will collect grease from the outdoor appliance. Allow the pan and its contents to cool before attempting to clean. The griddle grease cup is dishwasher safe.

### **To remove drip tray: (if needed)**

- Pull tray out until it stops.
- Continue pulling the tray out to clean.

### **To install drip tray:**

- Align the side of the drip tray with the guides (Fig. 62).
- Push the tray in until it stops.
- Pull the tray forward and push in and out several times to engage rollers.

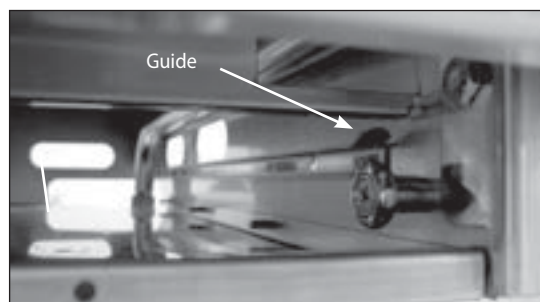


Fig. 62

# CARE AND MAINTENANCE

If something has spilled into the trays it should be cleaned up as soon as possible to prevent “baked on” food soil. Grease from the griddle or the outdoor appliance drains through the drain tube (Fig. 64) into the tray and liner below. **Do not allow the grease to accumulate in the tray as it can be a fire hazard.** Clean the tube and tray as soon as they are cool. Clean with hot soapy water. For the tube use a soapy bottle brush. Ensure the drip tray is in place when cleaning the drain tube. A mild abrasive cleaner such as Fantastik®, Simple Green® or Formula 409® can be used. (Do not use steel wool pad, or a harsh abrasive such as: Comet® or Ajax®.) Rinse and dry all parts thoroughly.



Fig. 63

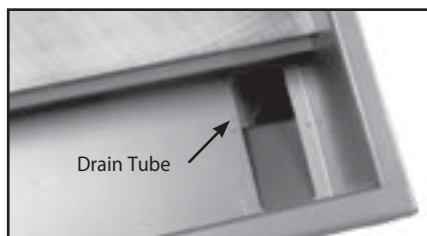


Fig. 64

## CERAMIC RODS:

It is not necessary to remove the ceramic rods for cleaning. They burn themselves clean during the next cooking operation. Periodically the trays holding the ceramic rods need to be turned over, and shaken free of debris for a thorough cleaning. How often you use the grill and the amount and type of food cooked will determine when it is necessary to clean the trays. If grease can be seen on the top of the tubes or if you get a lot of flare-up during cooking, the tubes need to be turned over and heated on “SEAR” for 30 minutes; longer for heavy soil.

## STAINLESS STEEL:

The outdoor appliance is made from non-rusting stainless steel. After initial usage, areas of the outdoor appliance may discolor from the intense heat given off by the burners, this is normal. There are many different stainless steel cleaners available. Always use the mildest cleaning procedure first, scrubbing in the direction of the grain. To touch up noticeable scratches in the stainless steel, sand very lightly with wet 100 grit emery paper in the direction of the grain. Specks of grease can gather on the surfaces of the stainless steel and bake on to the surface and give the appearance of rust. For removal use an abrasive pad (such as Scotch Brite) in conjunction with a stainless steel cleaner. Always rub in the direction of the grain.

### Note:

*Stainless steel tends to corrode in presence of chlorides and sulfides especially in coastal areas. To ensure corrosion prevention, wash all stainless steel surfaces every 3-4 weeks with fresh water and stainless cleaner. Keep outdoor appliance covered when not in use.*

## GRILL BURNER:

Ensure gas supply has been turned off. Remove the grill grates, then lift out the radiant tray. Grasp the burner, pull it up and slightly to the rear of the unit so the burner head comes off the brass orifice at the front, angle the burner sideways, and remove.

## GRILL BURNER CLEANING:

Clean the exterior of the burner with a stainless steel wire brush. Clear stubborn scale with a metal scraper. Clear any clogged ports with a straightened paper clip. Never use a wooden toothpick as it may break off and clog the port. Shake out any debris through the air shutter. Use a flashlight to inspect the burner inlet to ensure it is not blocked. If obstructions can be seen, use a metal wire coat hanger that has been straightened (Fig. 65).

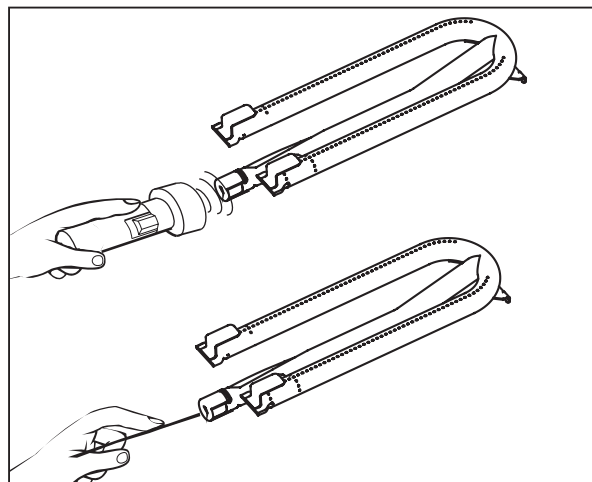


Fig. 65

# CARE AND MAINTENANCE

## ORIFICE CLEANING:

With the burner removed, remove the orifice and shine a flashlight through the opening to ensure there is no blockage. Use a needle to clear any debris. Be extremely careful not to enlarge the hole or break off the needle. See Fig. 65.

### Note:

When replacing grill burners or orifices following cleaning, confirm orifice penetration into burner as shown in Fig. 66.

## WARNING:

IT IS EXTREMELY IMPORTANT TO CENTER THE BURNER ON THE ORIFICE PROPERLY TO PREVENT A FIRE HAZARD OR EXPLOSION (FIG. 66).

Be careful not to upset the air shutters' original position (unless readjusting). Lower the rear of the burner into the cutouts on the support channel at the rear of the burner box. Make sure it is level and does not rock. Light all of the burners and check for proper flame characteristics. If adjustments are necessary, refer to page 22. Do this prior to using the appliance.

The side burner will give you years of trouble free service if properly maintained. Burner hangers are made from non-rusting high grade stainless steel. The burner is heavy duty cast iron and brass. The venturi tube is brass.

## SIDE BURNER GRATE

The side burner grate is porcelain enamel over cast iron for durability. To avoid burns, do not clean a hot grate. They may be wiped while in place with hot, soapy water, rinsed and wiped dry thoroughly. Never immerse a hot grate in water. Due to rapid temperature changes the porcelain may pop off the edges of the grates. If the grates develop chips, do not be concerned as the base metal, cast iron, soon darkens to blend with the porcelain enamel. Use care when wiping areas where the enamel has popped off, the edges may be sharp. If cleaning necessitates grate removal, care should be taken in lifting them. They are very heavy. Be sure to place them on a protected surface.

## SIDE BURNERS

For proper lighting and performance, keep the burners clean. It is necessary to clean the burners if they do not light even though the igniter clicks, if there has been a severe boil over, or when the flame does not burn blue. Be certain all burner knobs are in the "OFF" position before attempting to clean the burners. The burners have been designed for ease of cleaning. When the grate and burners are cool, remove the grate. The burner cap and the brass port ring can easily be lifted off. Wash these parts in hot soapy water, rinse and dry thoroughly. The burner

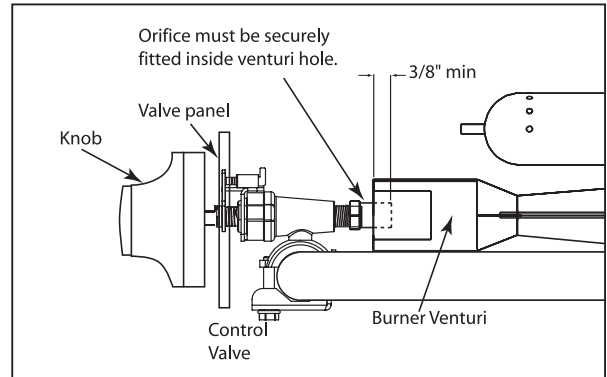


Fig. 66

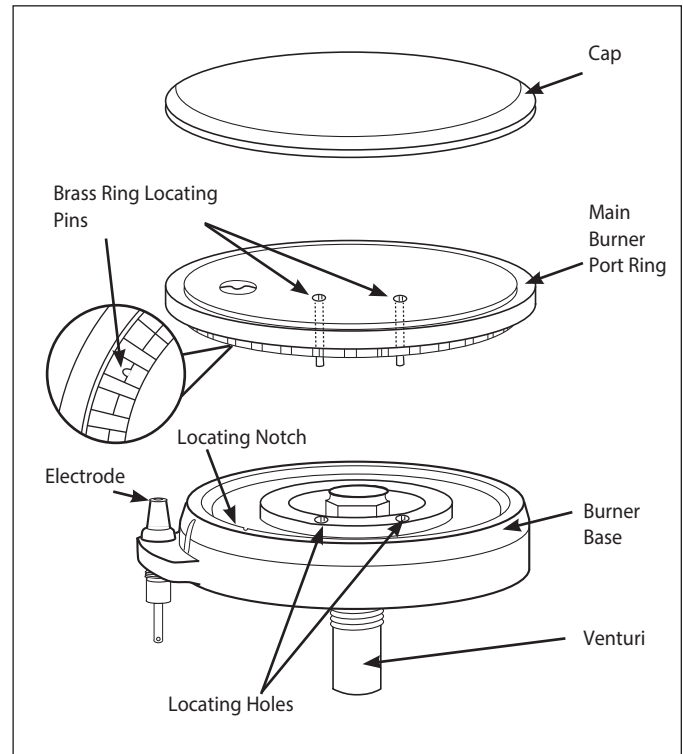


Fig. 67

# CARE AND MAINTENANCE

caps are porcelain enamel, follow the directions above that were given for the burner grates. A bristle brush can be used to clean out the toothed burner ports, if necessary. After cleaning, it is important to make sure the location pins on the bottom side of the port ring are properly aligned with the corresponding holes in the base. Incorrect alignment will produce a potentially dangerous flame and poor burner performance (see Fig. 67).

## SIDE BURNER ELECTRODES

Wipe with a water dampened cotton swab. Be careful not to damage the electrode (see Fig. 68).

## GRIDDLE

Griddle will darken when used. This is normal and needed for proper non-stick cooking and does not require cleaning. However, the griddle needs to be thoroughly cleaned of grease and food particles while it is still hot, taking care not to scratch the griddle, using a nonmetal spatula or brass brush. Once the griddle has cooled to a lukewarm temperature, rub the surface lightly with vegetable oil (do not use corn oil, it gets sticky). Thoroughly wipe the griddle with a heavy coarse cloth or burlap to remove any remaining residue and food particles. If you have a grease build-up, use one tablespoon of vinegar in a 1/2 cup of water, clean with a scouring cloth such as a Chore Boy® Scouring Cloth.

For heat discoloration use a stainless steel cleaner for heat stains such as Revere Ware® Stainless Steel Cleaner. Wash with hot soapy water, rinse and dry. If food soil or residue is cooked onto the griddle, use a griddle stone (fine grained pumice), or a griddle pan and screen cleaner (these are both available at restaurant supply store), following the manufacturers' directions. Wash with hot soapy water, rinse and dry. If hot soapy water, vinegar, or scouring powder are used to clean the griddle, it must be re-seasoned. Follow the directions on page 30 to reseason the griddle.

**NEVER FLOOD THE HOT GRIDDLE WITH COLD WATER. This could cause the griddle to crack or warp and/or create hot steam that can burn you.**

## CONTROL KNOBS

These are die-cast metal with plastic grips and can be cleaned in hot, soapy water. To remove the knobs from the control panel, grasp the knob and pull straight back towards you and away from the appliance. Wash, do not soak. Rinse and dry thoroughly.

## SINK

In cleaning any stainless steel, always use the soft side of the sponge. If you need to use a cleaner, use a stainless steel cleaner/spray for stainless steel. Hard water spots can be removed by using a product like Lime-A-Way. Always read the directions in applying any cleaner. The sink can be cleaned easily using a degreaser like Dawn Liquid Soap that will eliminate any grease residue. There are many stainless steel spray cleaners/polishers in the market. Remember to use the soft side of the sponge. The drain plug should be removed and cleaned after using the sink. Place the cover on top of the sink after cleaning is done.

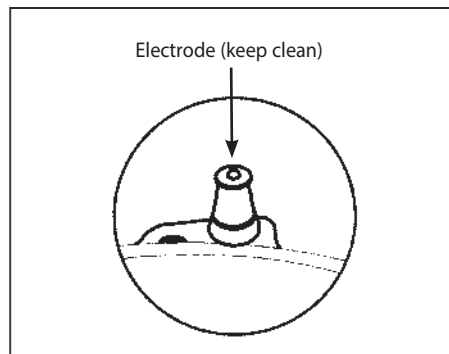


Fig. 68

# TROUBLESHOOTING - OUTDOOR APPLIANCE

## BEFORE CALLING FOR SERVICE:

If the outdoor appliance does not function properly, use the following checklist before contacting your dealer for service. You may save the cost of a service call. Troubleshooting is for general purposes only. If the problem persists and you feel you require service, contact your dealer or the nearest authorized agency to perform service. Only authorized agencies can perform warranty service. **Call DCS Customer Care at (888) 936-7872.**

PROBLEM	WHAT TO DO
<p>Outdoor appliance won't light when the control knob is pushed.</p>	<p>Is the gas supply turned on?</p> <p>Ensure the outdoor appliance is cool. Remove the outdoor appliance top grates and the ceramic radiant trays. Watch the electrode tip. You should see a spark jump from the tip of the electrode when the ignition button is pushed.</p> <p>If there is no spark when ignition button is pushed, check the battery condition. Battery condition should be checked at least once a year.</p> <p>Attempt to match light the burner (see page 27 &amp; 31). Check to see that other burners on the unit operate. Clean ignition tip of any debris.</p> <p>Is it too windy? Wind break is needed.</p>
<p>Burner flame is yellow or orange, in conjunction with the odor of gas.</p>	<p>Check the burner inlet for obstructions such as spider webs. Check the air shutter for proper adjustment.</p> <p>Outdoor appliance may be in a dusty area. Move to less dusty area if possible.</p>
<p>Low heat with knob in "HI" or "SEAR" position.</p>	<p>If only one of the burners appears low, clean the orifice and burner, clearing ports of any obstruction (see page 34).</p> <p>Outdoor appliance may be in a dusty area. Move to less dusty area if possible.</p> <p>Check for proper gas supply and pressure.</p> <p>Pre-heat outdoor appliance for a full 15 minutes.</p> <p>If using LP gas, check for empty tank.</p> <p>Regular checkup. Turn all knobs to "OFF", turn gas supply "off". Wait 5 minutes. Ensure all knobs are "off". Then turn gas supply "on" and wait 30 seconds. Then attempt to light the burners.</p> <p>Wind is blowing heat away from the food.</p>

# TROUBLESHOOTING - SIDE BURNER

PROBLEM	WHAT TO DO
<p>Burner won't light when the ignition is pushed.</p>	<p>Remove the burner grate. Push in the control knob and listen to the electrode while engaging the ignition. There should be a spark from the electrode. When the spark jumps, it makes a ticking sound.</p> <p>If there is no spark..... Could be a dead battery. Try replacing the battery.</p> <p>Or the air gap between an electrode tip and a contact metal is too far (gap should be 1/8") or dirty.</p> <p>If there is a spark... is there gas supplied to the unit and is the line purged of air? See page 20.</p> <p>Does the other burner of a dual burner model operate?</p> <p>Check the orifice or venturi for blockage.</p>
<p>Burner flame is yellow or orange, in conjunction with the odor of gas.</p>	<p>Check the burner for obstructions or dirt. See page 34.</p> <p>Check for proper gas supply or wrong gas type.</p> <p>Is the side burner in a dusty area? Move to less dusty area if possible.</p>
<p>Low heat with knob in "HI" position.</p>	<p>Is the fuel hose bent or kinked?</p> <p>Is there adequate gas supply available? If it is only one burner of the dual burner unit that appears low, does the burner need cleaning?</p> <p>If using LP gas, check for empty tank or low fill level.</p> <p>Air movement. Wind break is needed.</p>



# SERVICE

## HOW TO OBTAIN SERVICE:

For warranty service, please contact your local service provider or DCS Customer Care Representative at (888) 936-7872. Before you call, please have the following information ready:

- Model Number (can be found on the inside, right side panel behind the drip pan handle. See page 7.)
- Serial Number (can be found on the inside, right side panel behind the drip pan handle. See page 7.)
- Code (can be found on the inside, right side panel behind the drip pan handle. See page 7.)
- Date of installation
- A brief description of the problem

Your satisfaction is of the utmost importance to us. If a problem cannot be resolved to your satisfaction, please write:

Fisher & Paykel Appliances Inc.  
Attention: DCS Customer Care  
695 Town Center Drive, Suite 180  
Costa Mesa, CA 92626-1902 USA  
email: [customer.care@fisherpaykel.com](mailto:customer.care@fisherpaykel.com)

# WARRANTY

## LIMITED WARRANTY

When you purchase a new DCS Grill by Fisher & Paykel, you automatically receive a One Year Limited Warranty covering parts and labor for the entire product, and a Five Year Comprehensive Warranty covering the radiant trays, radiant tray side rails and drip pans for servicing within the 48 mainland United States, Hawaii, Washington D.C. and Canada. Should structural deterioration occur to the degree of non-performance, a replacement will be furnished.

Lifetime Warranty (Labor not included) on stainless steel grill burners, stainless steel grill cover, burner box, cooking grates and grill racks (excluding discoloration or surface corrosion). Lifetime is defined as normal domestic use and service for the lifetime of the original purchaser.

In Alaska, the Limited Warranty is the same except that you must pay to ship the Product to the service shop or for the service technician's travel to your home.

Products for use in Canada must be purchased through the Canadian distribution channel to ensure regulatory compliance. Surface corrosion and discoloration is not covered under warranty.

## FISHER & PAYKEL UNDERTAKES TO:

Repair without cost to the owner either for material or labor (but only with the the One Year Limited Warranty) any part of the Product, the serial number of which appears on the Product, which is found to be defective. In Alaska, you must pay to ship the Product to the service shop or for the service technician's travel to your home.

If we are unable to repair a defective part of the Product after a reasonable number of attempts, at our option we may replace the part or the Product, or we may provide you a full refund of the purchase price of the Product (not including installation or other charges).

All service under this Limited Warranty shall be provided by Fisher & Paykel Appliances Inc. or its Authorized Service Agent during normal business hours.

## HOW LONG DOES THE LIMITED WARRANTY LAST?

Our liability under the Limited Warranty for the entire product expires One Year from the date of purchase of the Product by the first consumer.

Our liability under the Limited Warranty for radiant trays, radiant tray side rails and drip pans expires Five Years from the date of purchase of the Product by the first consumer.

Our liability under this Limited warranty (labor not included) for stainless steel burners, stainless steel cover, burner box, cooking grates and grill racks (excluding discoloration or surface corrosion) is a Lifetime warranty. Lifetime is defined as normal domestic use and service for the lifetime of the original purchaser.

Our liability under any implied warranties, including the implied warranty of merchantability (an unwritten warranty that the Product is fit for ordinary use) also expires One Year (or such longer period as required by applicable law) from the date of purchase of the Product by the first consumer. Some states do not allow limitations on how long an implied warranty lasts, so this limit on implied warranties may not apply to you.

## THIS WARRANTY DOES NOT COVER:

- A. Service calls that are not related to any defect in the Product. The cost of a service call will be charged if the problem is not found to be a defect of the Product. For example:
  1. Correct faulty installation of the Product.
  2. Instruct you how to use the Product.
  3. Replace house fuses, reset circuit breakers, correct house wiring or plumbing, or replace light bulbs.
  4. Correct fault(s) caused by the user.

# WARRANTY (continued)

5. Change the set-up of the Product.
  6. Unauthorized modifications of the Product.
  7. Noise or vibration that is considered normal, for example, drain/fan sounds, regeneration noises or user warning beeps.
  8. Correcting damage caused by pests, for example, rats, cockroaches etc.
- B. Defects caused by factors other than:
1. Normal domestic use or
  2. Use in accordance with the Product's Use and Care Guide.
- C. Defects to the Product caused by accident, neglect, misuse, fire, flood or Act of God.
- D. The cost of repairs carried out by non-authorized repairers or the cost of correcting such unauthorized repairs.
- E. Travel Fees and associated charges incurred when the product is installed in a location with limited or restricted access (i.e. airplane flights, ferry charges, isolated geographic areas).
- F. Normal recommended maintenance as set forth in the Product's Use and Care Guide.

If you have an installation problem, contact your dealer or installer. You are responsible for providing adequate electrical, exhausting and other connection facilities. We are not responsible for consequential or incidental damages (the cost of repairing or replacing other property damaged if the Product is defective or any of your expenses caused if the Product is defective). Some states do not allow the exclusion or limitation of incidental or consequential damages, so the above limitation or exclusion may not apply to you.

## HOW TO GET SERVICE

Please read your Use and Care Guide. If you then have any questions about operating the Product, need the name of your local DCS Authorized Service Agent, or believe the Product is defective and wish service under this Limited Warranty, please contact your dealer or call us at: TOLL FREE 1-888-936-7872 or contact us through our web site: [www.dcsappliances.com](http://www.dcsappliances.com).

There is a limited amount of spare parts available to you through our website at [www.dcsappliances.com](http://www.dcsappliances.com). Please feel free to order direct or contact us at TOLL FREE 1-888-936-7872

You may be required to provide reasonable proof of the date of purchase of the Product before the Product will be serviced under this Limited Warranty.

## COMMERCIAL USE

This warranty applies to appliances used in residential applications; it does not cover their use in commercial situations.

## NO OTHER WARRANTIES

This Limited Warranty is the complete and exclusive agreement between you and Fisher & Paykel Appliances Inc. regarding any defect in the Product. None of our employees (or our Authorized Service Agents) are authorized to make any addition or modification to this Limited Warranty.

Warrantor: Fisher & Paykel Appliances, Inc.

If you need further help concerning this Limited Warranty, please call us at the above number, or write to:

Fisher & Paykel Appliances Inc.  
Attention: DCS Customer Care  
695 Town Center Drive, Suite 180  
Costa Mesa, CA 92626-1902 USA  
email: [customer.care@fisherpaykel.com](mailto:customer.care@fisherpaykel.com)

This Limited Warranty gives you specific legal rights, and you may also have other rights which vary from state to state.

Fisher & Paykel Appliances Inc. is a leading manufacturer of premium quality cooking and specialty appliances under the Fisher & Paykel and DCS brands.

# NOTES

# À L'INTENTION DE NOS CLIENTS

Nous vous remercions d'avoir choisi cet appareil d'extérieur de la « Collection Liberty » professionnelle de DCS. Nous avons conçu ce Manuel d'utilisation et d'entretien pour expliquer les fonctions uniques de ces appareils. Ce manuel contient des informations extrêmement utiles sur la façon correcte de faire fonctionner votre nouvel appareil et d'en faire l'entretien. Vous pourrez ainsi en profiter pendant des années d'emploi sûr et agréable.

Aidez-nous à mieux vous servir en remplissant l'enregistrement de produit et en nous le soumettant depuis notre site Web à [www.dcsappliances.com](http://www.dcsappliances.com). Sélectionnez « Customer Care » sur la page d'accueil puis « Product Registration ». De plus, gardez ce manuel à portée de main afin de rapidement trouver réponse à vos questions durant l'utilisation de votre nouvel appareil.

Si vous avez des questions au sujet de notre produit, communiquez avec un représentant du centre de service à la clientèle DCS par téléphone au 1-888-936-7872, ou par courriel : [customer.care@fisherpaykel.com](mailto:customer.care@fisherpaykel.com).

**REMARQUE :** Veuillez noter les numéros de modèle et de série sur cette page pour information (peuvent se trouver sur le panneau latéral droit intérieur derrière la poignée du ramasse-gouttes. Voir page 8.)

NUMÉRO DE MODÈLE \_\_\_\_\_ CODE \_\_\_\_\_ NUMÉRO DE SÉRIE \_\_\_\_\_

**REMARQUE :** Inspecter le produit pour vérifier qu'il n'a pas été endommagé pendant l'expédition. En cas de dommages, contacter le transporteur et entamer une déclaration pour dommage. DCS by Fisher & Paykel n'est en aucun cas responsable des dommages pendant l'expédition.

*Ne pas jeter le matériau d'emballage (boîte, palette, sangles) avant d'avoir inspecté l'unité.*



## AVERTISSEMENT!

N'essayez pas d'allumer l'appareil sans avoir lu la section « Instructions d'allumage » de ce manuel. Toute installation, ajustement, altération ou entretien incorrect peut causer des dommages matériels, des blessures ou la mort. Veuillez lire soigneusement ces instructions d'installation, d'utilisation et d'entretien avant d'utiliser, installer ou effectuer l'entretien de cet appareil. Cet appareil de cuisson à gaz pour l'extérieur n'est pas conçu pour être installé sur des véhicules récréatifs, des bateaux ou des pièces sans aération. Pour usage en plein air uniquement.



## POUR VOTRE SÉCURITÉ

1. Évitez de stocker ou d'utiliser de l'essence ou tous autres liquides et vapeurs inflammables à proximité de cet appareil ou de tout autre appareil électroménager.
2. Évitez de ranger une bouteille de gaz propane (qui n'est pas connectée car non utilisée) à proximité de cet appareil électroménager ou de tout autre.



## POUR VOTRE SÉCURITÉ

Si vous sentez une odeur de gaz :

1. Coupez l'arrivée de gaz de l'appareil.
2. Éteignez toute flamme vive.
3. Retirez tous les couvercles en place sur les brûleurs et la plaque chauffante.
4. Si l'odeur continue, se tenir à distance de l'appareil et appeler immédiatement la compagnie du gaz ou les pompiers.

**VEUILLEZ CONSERVER CE MANUEL À TITRE DE RÉFÉRENCE.**

# TABLE DES MATIÈRES

MESURES DE SÉCURITÉ ET DE PRÉCAUTION	3-6
MODÈLES D'APPAREILS D'EXTÉRIEUR	7
AVANT D'UTILISER L'APPAREIL	8
INSTALLATION	
Emplacement de l'appareil d'extérieur et des dégagements	9-10
Détails d'une construction intégrée	11
Instructions de montage de chariot	12-16
Branchement de gaz	17-20
Test de détection des fuites	21-22
Réglage des brûleurs	23
Ensemble de radiant	24
Évier	25
Tablette latérale	26-27
Liste de contrôle de l'installateur	27
UTILISATION DU GRIL	
Instructions d'allumage	28
Utilisation du gril	28-29
UTILISATION DU BRÛLEUR LATÉRAL	
Instructions d'allumage	30
UTILISATION DE LA PLAQUE CHAUFFANTE	
Thermocouple	31
Avant d'utiliser la plaque chauffante pour la première fois ou pour l'apprêter à nouveau	31
Utilisation de la plaque chauffante	31
Instructions d'allumage	32
UTILISATION DE L'ÉVIER	33
ENTRETIEN ET MAINTENANCE	34-36
DÉPANNAGE	
Appareil d'extérieur	38
Brûleur latéral	39
SERVICE	40
GARANTIE	41-42

# MESURES DE SÉCURITÉ ET DE PRÉCAUTION

## **IMPORTANTE CONSIGNE DE SÉCURITÉ!**

Certains fournisseurs de propane liquide peuvent remplir les bonbonnes de propane liquide de l'appareil d'extérieur au-delà de leur capacité. Ce trop-plein peut créer une situation dangereuse.

## **IMPORTANTE CONSIGNE DE SÉCURITÉ!**

Assurez-vous de retirer tous les couvercles du gril, de la plaque chauffante ou des brûleurs latéraux avant d'allumer ou d'utiliser l'appareil.

Une accumulation de pression peut effet se produire dans les bouteilles trop remplies. En tant que dispositif de sécurité, la soupape de décharge évacue les vapeurs de gaz propane afin de diminuer l'excédent de pression. Ces vapeurs sont combustibles et peuvent donc prendre feu. Pour réduire les risques de danger, prenez les précautions suivantes :

1. Lors du remplissage de la bouteille, assurez-vous que votre fournisseur ne dépasse pas les 3/4 (75 %) de sa capacité totale.
2. Si vous possédez ou utilisez une bouteille supplémentaire, ou si elle est déconnectée, ne la rangez JAMAIS à proximité ou en dessous d'appareil d'extérieur ou d'un poêle, ni près d'une quelconque source d'ignition ou de chaleur. Un autocollant métallique portant cet avertissement est fourni avec le gril pour vous rappeler cette consigne, ainsi qu'à votre famille et aux autres personnes qui pourraient utiliser le gril. Apposer cet autocollant à proximité de votre gril.
3. N'entreposez pas de bouteille de gaz pleine à la lumière directe du soleil.

## **AVERTISSEMENT!**

N'essayez pas d'allumer l'appareil sans avoir lu la section « INSTRUCTIONS D'ALLUMAGE » de ce manuel. C'appareil d'extérieur est conçu pour un usage en plein air uniquement.

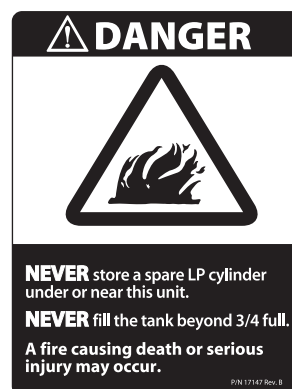
## **AVERTISSEMENT!**

Enfoncez le bouton d'allumeur et tournez le bouton du brûleur choisi à la position « HI ». Si le brûleur ne s'allume pas après 4 ou 5 secondes, mettez le bouton sur « OFF » et patientez 5 minutes avant d'essayer de nouveau, afin de laisser le temps au gaz accumulé de se dissiper.

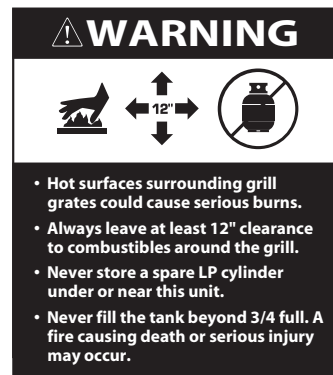
- Commencez par vous assurer que l'installation et l'entretien sont effectués correctement. Suivez les instructions

d'installation fournies avec ce produit. Faites installer l'appareil d'extérieur par un technicien qualifié. Demandez-lui de vous montrer l'emplacement du robinet d'arrêt de l'alimentation de gaz afin de savoir comment couper l'arrivée de gaz. Si vous sentez une odeur de gaz, cela signifie que l'installateur n'a pas vérifié correctement s'il y avait des fuites. Si les connexions ne sont pas parfaitement étanches, une petite fuite pourrait se produire et laisser s'échapper une faible odeur de gaz. La détection des fuites n'est pas une procédure à faire soi-même. Certaines fuites ne peuvent être détectées que si la commande du brûleur est en position « ON » et ceci doit être fait par un technicien qualifié.

- Ne laissez pas les enfants seuls dans un endroit où l'appareil d'extérieur est utilisé. Ne les laissez pas s'asseoir, monter ou jouer sur l'appareil d'extérieur ou à proximité. Certaines parties d'appareil d'extérieur chauffent durant son utilisation au point de pouvoir causer des brûlures.



AUTOCOLLANT



# MESURES DE SÉCURITÉ ET DE PRÉCAUTION

- Ne rangez pas d'objets pouvant intéresser les enfants autour ou en dessous d'appareil d'extérieur, dans le chariot ou une enceinte de maçonnerie. Ne laissez jamais les enfants ramper à l'intérieur d'un chariot ou d'une enceinte.
- Ne laissez jamais des vêtements, gants ou autres matériaux inflammables en contact ou à proximité d'une outdoor cooktope, d'un brûleur ou d'une surface chaude tant qu'ils n'ont pas refroidi. Les tissus peuvent s'enflammer et causer des blessures.
- Il ne faut ni attacher ni connecter une bouteille de propane, ni déplacer ni modifier les raccords de gaz lorsque le grill fonctionne ou qu'il est chaud.
- Nettoyez le grill et effectuez un entretien général deux fois par an. Surveillez toute apparition de corrosion, de fissures ou activité d'insectes. Inspectez soigneusement le détendeur, les tuyaux, les têtes de brûleurs, les obturateurs d'air et la section venturi/valve. Fermez toujours le gaz à la source (bouteille ou conduite d'alimentation) avant d'inspecter les pièces.
- Après une période de remisage ou de non utilisation (pendant l'hiver par exemple), le grill au gaz doit être inspecté pour toute présence éventuelle de fuites de gaz, toute détérioration, un bon assemblage et toute obstruction des brûleurs avant utilisation.
- Ne chauffez pas de contenant de nourriture fermé car la pression pourrait s'accumuler et le faire exploser.
- Retirez toujours le couvercle d'une main recouverte, en vous y prenant lentement, afin de laisser s'échapper la chaleur et la vapeur.
- Ne vous penchez jamais au-dessus d'un appareil d'extérieur ouvert. Lorsque vous allumez un brûleur, faites très attention à ce que vous faites.
- Après avoir allumé les brûleurs, veillez à ce que les brûleurs fonctionnent normalement (voir page 22 et 23).
- Lorsque vous utilisez l'appareil d'extérieur, évitez de toucher le outdoor cooktopes du brûleur ou la zone immédiate car celle-ci devient très chaude et peut causer des brûlures.
- La graisse est inflammable. Laissez toute graisse chaude refroidir avant d'essayer de la manipuler. Évitez de laisser la graisse s'accumuler dans le ramasse-gouttes. Nettoyez souvent.

Pour assurer votre propre sécurité, habillez-vous de façon appropriée. Ne portez jamais de vêtements ou de manches lâches lorsque vous utilisez cet appareil. Certains tissus synthétiques sont extrêmement inflammables et ne doivent pas être portés pendant la cuisson. Seuls certains types d'ustensiles en verre, vitrocéramique calorifugée, poterie ou émaillés sont appropriés pour être utilisés avec un appareil d'extérieur. Ces matériaux peuvent se briser à la suite de changements de température subits. Utilisez-les seulement à feu doux ou moyen selon les instructions du fabricant.

## **AVERTISSEMENT!**

Les araignées et les insectes peuvent se loger dans les brûleurs de c'appareil d'extérieur ou d'autres types d'appareil d'extérieur; par conséquent, le gaz peut s'échapper de la partie avant du brûleur. Le gaz circulera de l'avant du brûleur dans le tableau de commande. Ceci est très dangereux et peut provoquer un feu derrière le panneau des valves, ce qui endommagerait les composants d'appareil d'extérieur et rendrait son utilisation dangereuse.

## **AVERTISSEMENT!**

Gardez la zone entourant l'appareil d'extérieur libre de matériaux combustibles et de rebus, ou de fluides et vapeurs combustibles tels que l'essence ou du liquide d'allumage pour charbon de bois. N'obstruez pas le débit de l'air de combustion et de ventilation.

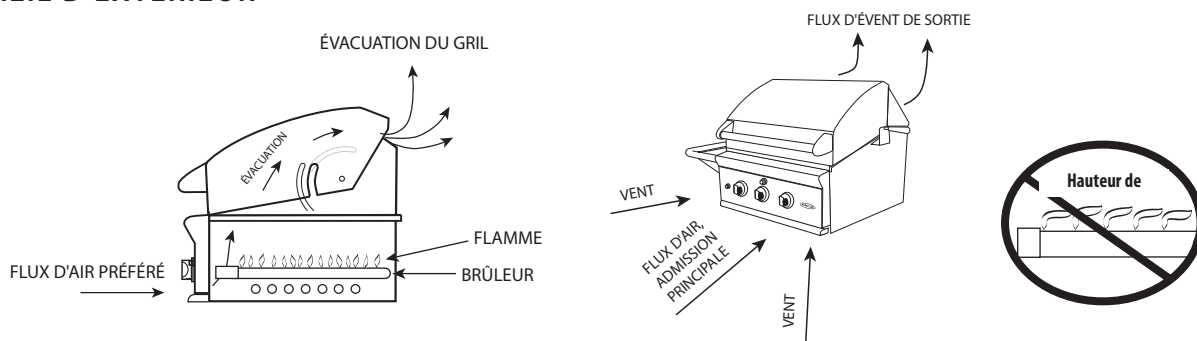
## **AVERTISSEMENT!**

N'utilisez jamais l'appareil d'extérieur s'il vente. Si vous vous trouvez dans une région où il vente constamment (bord de mer, sommet de montagne, etc.), vous devez utiliser un coupe-vent. Respectez toujours les dégagements spécifiés.



# MESURES DE SÉCURITÉ ET DE PRÉCAUTION

## EMPLACEMENT D'APPAREIL D'EXTÉRIEUR



- Si vous utilisez les brûleurs latéraux, servez-vous toujours de casseroles à fond plat assez grandes pour couvrir le brûleur latéral. Ajustez la flamme pour qu'elle ne chauffe que le fond du récipient afin de ne pas mettre le feu aux vêtements. Placez les poignées à l'écart des bords ouverts de l'appareil pour éviter de causer des brûlures dues à un renversement accidentel du contenu des récipients. Tenez la poignée du récipient pour empêcher tout mouvement de l'ustensile lorsque vous retournez ou remuez la nourriture. Pour assurer un bon allumage et une bonne performance des brûleurs, gardez les ports dans un état propre. Il faut les nettoyer périodiquement pour garantir des performances optimales.
- Nettoyez l'appareil d'extérieur avec précaution. Évitez de vous brûler à la vapeur; n'utilisez pas d'éponge ou de chiffon mouillé pour nettoyer le gril quand il est chaud. Certains produits de nettoyage produisent des vapeurs nocives ou peuvent prendre feu s'ils sont appliqués à une surface chaude.
- Assurez-vous que les boutons d'appareil d'extérieur sont fermés et que l'appareil d'extérieur est froid avant d'utiliser des nettoyants aérosol à proximité. L'élément chimique qui produit le jet de vaporisation peut, en présence de chaleur, s'enflammer ou provoquer la corrosion des parties métalliques.
- N'utilisez pas le gril d'extérieur pour cuire des viandes ou des produits très gras pouvant alimenter les flammes.
- Ne outdoor cooktopez jamais sans que le ramasse-gouttes et le récipient à graisse ne soient en place et enfoncés jusqu'au fond. Sans cela, de la graisse chaude pourrait s'écouler vers le bas et créer un risque d'incendie ou d'explosion.
- Ne faites pas fonctionner l'appareil d'extérieur sous une construction combustible non protégée. Utilisez-le seulement dans un lieu bien aéré. N'utilisez pas l'appareil à l'intérieur de bâtiments, garages, abris, passages couverts, structure couverte ou toute autre structure aérienne et tout lieu clos. Cet appareil est conçu pour un usage en plein air uniquement.
- Si un appareil à chariot est rangé à l'intérieur, assurez-vous qu'il est froid, rabattez la ou les tablettes latérales en option et ne poussez ou tirez jamais sur les tablettes latérales. Si la bouteille contient du propane liquide, débranchez-la et rangez-la, à l'extérieur, dans un endroit bien aéré, hors de portée des enfants.
- N'utilisez pas de charbon de bois ou de liquide d'allumage dans l'appareil d'extérieur.
- N'utilisez jamais l'appareil d'extérieur dans un lieu venteux.
- N'utilisez jamais une bouteille de propane bosselée ou rouillée. Gardez les ouvertures de ventilation du boîtier de la bonbonne dégagées et libres de débris.
- Utilisez seulement des gants isolants secs : des gants humides sur des surfaces chaudes peuvent provoquer des brûlures à cause de la vapeur. N'utilisez pas de serviette ou de chiffon épais à la place de gants isolants. Évitez de toucher les parties chaudes d'appareil d'extérieur avec les gants isolants.
- Ayez un extincteur de classe ABC à portée de la main – ne tentez jamais d'éteindre un incendie de graisse avec de l'eau ou d'autres liquides.
- Pour éviter toute brûlure lors de la cuisson, utilisez des outils de barbecue à manches longs.

# MESURES DE SÉCURITÉ ET DE PRÉCAUTION

- Ne déplacez pas l'appareil durant son utilisation.
- **Cet appareil est conçu pour un usage en plein air uniquement !** Ne faites pas fonctionner dans des endroits clos. Ce qui pourrait entraîner une accumulation de monoxyde de carbone susceptible de provoquer des blessures voire la mort.
- Lors de l'utilisation d'un gril, veillez à ce que toutes les pièces de l'unité soient fermement en place et que le gril soit stable (de manière à ne pas pouvoir basculer).
- Pour éteindre des flammes, ajuster les commandes pour abaisser la température.
- **AVERTISSEMENT CONCERNANT LA PROPOSITION 65 DE LA CALIFORNIE :** L'incinération de gaz de cuisson génère des sous-produits faisant partie des substances considérées par l'État de Californie comme pouvant causer le cancer ou des malformations congénitales. Les lois de Californie exigent que les entreprises avertissent leurs clients qu'ils risquent d'être exposés à de telles substances. Pour minimiser l'exposition à ces substances, faites toujours fonctionner cet appareil conformément au manuel d'utilisation et d'entretien, en assurant une bonne ventilation lorsque vous cuisinez au gaz.
- Cet appareil de cuisson à gaz pour l'extérieur n'est pas conçu pour être installé sur des véhicules récréatifs ou remorques et/ou bateaux.

***Remarque :***

*Ce produit doit être installé par un plombier ou ajusteur d'appareils à gaz agréé si l'installation a lieu au sein du Commonwealth du Massachusetts.*

# MODÈLES D'APPAREILS D'EXTÉRIEUR



**BFGC-30G - Tout grill**



**BFGC-30BGD - Brûleurs latéraux double et Plaque chauffante**



**BFGC-30BS - Brûleurs latéraux double et Évier**

# AVANT D'UTILISER L'APPAREIL

1. Retirez tous les matériaux d'emballage et les étiquettes de l'appareil. Si l'installateur n'a pas monté l'appareil, vérifiez que vous avez les articles suivants :

■ **BFGC-30G - Tout grill**

- Couvercle du Tout grill
- Grilles du grill (5)
- Plateaux radiants pour contenir tiges en céramique (2)
- Tiges en céramique (28)
- Support de couvercle (2)

■ **BFGC-30BGD - Brûleurs latéraux et Plaque chauffante**

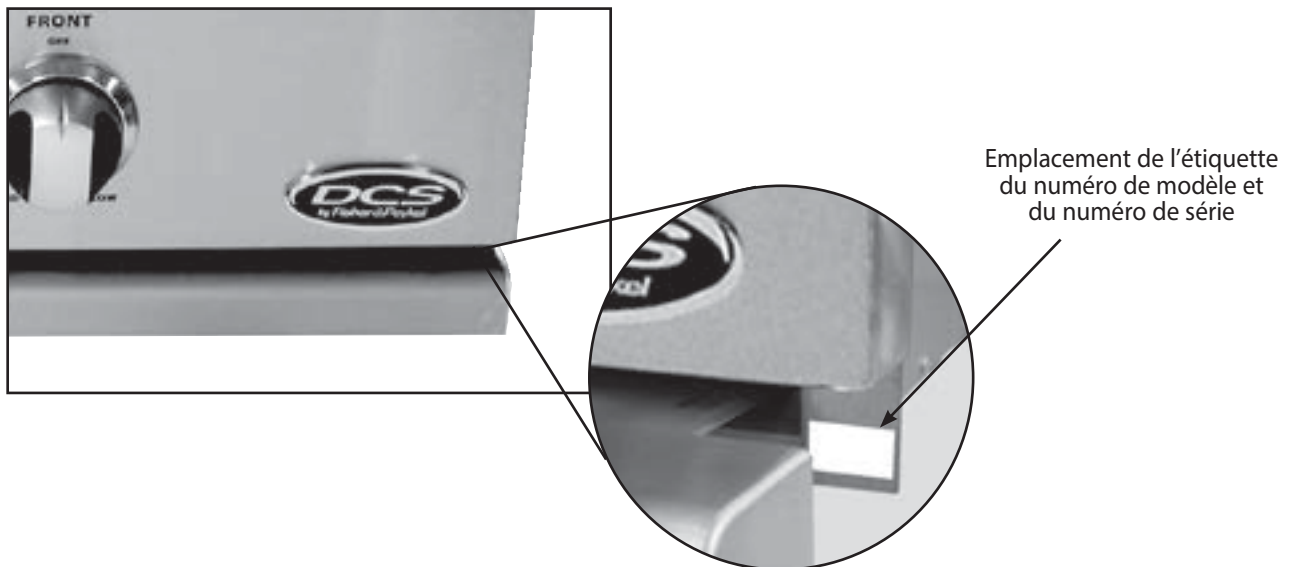
- Couvercle (2)
- Godet à graisse de plaque chauffante
- Grille de brûleurs latéraux
- Capuchon de conduit de plaque chauffante
- Support de couvercle (2)

■ **BFGC-30BS - Brûleurs latéraux et Évier**

- Couvercle (2)
- Robinet
- Bonde
- Grille de brûleurs latéraux
- Support de couvercle (2)
- Capuchon de brûleur (2)

**REMARQUE :**

*Si un des articles indiqués manque, contactez DCS au (888) 936-7872. Veuillez avoir le numéro de modèle, le numéro de série et la description du produit dont vous avez fait l'achat à portée de la main.*



Lisez toutes les instructions d'installation figurant dans ce manuel pour voir si l'unité a été correctement installée. Si celle-ci n'a pas été faite ou n'a pas été faite correctement, rectifiez-la avant d'utiliser l'unité.

# INSTALLATION

## EMPLACEMENT DE L'APPAREIL D'EXTÉRIER ET DES DÉGAGEMENTS

### EMPLACEMENT :

Pour déterminer un emplacement approprié, vous devez tenir compte de plusieurs éléments : exposition au vent (si l'appareil est situé dans une zone venteuse, un coupe-vent doit être fourni pour éviter un mauvais fonctionnement des brûleurs ou tout dommage du produit), proximité de chemins de circulation, nécessité de garder les conduites d'alimentation en gaz ou électrique le plus court possible. Placez l'appareil dans un lieu bien aéré. Ne construisez pas l'appareil d'extérieur sous une enceinte combustible non protégée. Ne placez jamais l'appareil d'extérieur à l'intérieur d'un bâtiment, garage, abri, passage couvert, belvédère, lanai ou autre lieu clos sans système de ventilation homologué. Durant un usage intensif, l'appareil d'extérieur produit beaucoup de fumée et de flammes : veillez à ce qu'il y ait assez d'espace pour que celle-ci puisse se dissiper.

### Important!

Les raccords de gaz, le régulateur et le robinet d'arrêt fournis par l'installateur doivent être utilisés et facilement accessibles.

Espaces de dégagement pour une construction combustible\* (voir définition en page 10):  
Prévoyez une distance de 30,5 cm (12") minimum sur les côtés et l'arrière de l'appareil d'extérieur, au-dessous de la surface de cuisson par rapport à la paroi verticale adjacente de la construction combustible\*. (Fig. 01)  
N'effectuez pas l'installation sous une construction combustible non protégée.

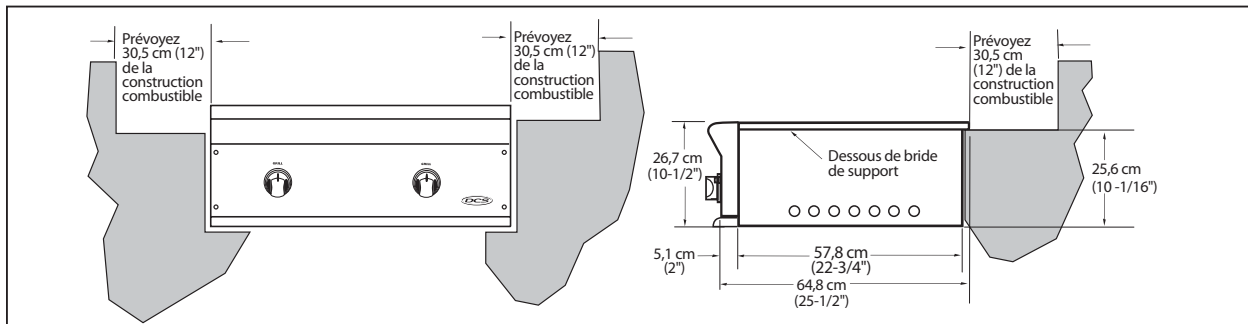


Fig. 01

### Important!

Tous les appareils d'extérieur doivent avoir une enveloppe isolée sur la construction combustible auto-portante.

Espaces de dégagement pour une construction combustible\* (voir définition en page 10):  
Prévoyez un espace de dégagement de 92 cm (3") de l'arrière de l'appareil d'extérieur à la construction non combustible\*\*. Il est conseillé de prévoir au moins 15,3 cm (6") de dégagement latéral par rapport à la construction non combustible\*\*, au-dessus de la surface de cuisson ou espace de comptoir. Si vous prévoyez utiliser la rôtissoire, cet espace est essentiel pour le dégagement du moteur et de la broche. L'appareil d'extérieur peut être adjacent à la construction non combustible, au-dessous de la surface de cuisson.



### AVERTISSEMENT!

Le non-respect des dégagements requis pose un risque d'incendie pouvant causer des dommages matériels ou des blessures graves.



### AVERTISSEMENT!

Si un matériau non combustible\*\* tel que le métal recouvrant un matériau combustible comme le bois, la distance de dégagement minimum doit être tenue au bois. La présence d'un matériau non combustible\*\* à l'intérieur de la zone de dégagement n'élimine pas la zone de dégagement minimum au matériau combustible.

# INSTALLATION

## EMPLACEMENT DES DÉGAGEMENTS

### ⚠ AVERTISSEMENT!

Les appareils sont conçus pour fonctionner à l'extérieur. Prévoyez des dégagements minimum recommandés pour toutes les surfaces (combustibles\* et non combustibles\*\*) pour une performance optimale. Le matériau non combustible\*\* dans la zone de dégagements minimum pourrait entraîner une décoloration ou une détérioration.

\*DÉFINITION DE MATÉRIAU COMBUSTIBLE – Tout matériau de structure de construction ou structure décorative fabriquée en bois, papier comprimé, fibres de plante, stuc ou autres matériaux capables de transférer la chaleur ou d'être enflammé et brûlé. Lesdits matériaux seront considérés comme étant combustibles en dépit d'une surface à l'épreuve des flammes, ignifugée, peinte ou plâtrée.

\*\*DÉFINITION DE MATÉRIAU NON COMBUSTIBLE – Matériau incapable d'être enflammé et brûlé tel que les matériaux composés entièrement, ou un mélange, d'acier, de fer, de brique, de tuile, de béton, d'ardoise et de plâtre (non peint).

### Important!

Il est conseillé d'assurer une ouverture de ventilation de 64,5 cm<sup>2</sup> (10 po<sup>2</sup>) minimum des deux côtés (gauche et droit), ainsi que sur la partie arrière de l'enceinte (Fig. 02) afin de dissiper, en toute sécurité, les vapeurs de gaz non brûlé en cas de fuite de gaz.

### ⚠ AVERTISSEMENT!

Notez les exigences en matière de ventilation particulières pour les enceintes intégrées. Voir le texte et la Fig. 02.

## GÉNÉRALITÉS

L'appareil d'extérieur est conçu pour être placé facilement dans une enceinte de maçonnerie. Pour les applications non combustibles, on enfonce l'appareil d'extérieur dans l'ouverture illustrée à la figure 03 et on le suspend par ses brides latérales. La base doit être de niveau et plate. Il n'est pas nécessaire de soutenir l'appareil par le bas. Si vous utilisez une enveloppe isolée dans une enceinte combustible, reportez-vous au bas de l'illustration de la figure 03. L'enveloppe doit être soutenue par le bas par une pièce d'appui de chaque côté, ou par une base solide en dessous de l'enveloppe isolée.

## ENVELOPPE ISOLÉE :

Si l'appareil d'extérieur doit être placé dans une enceinte combustible, vous devez installer une enveloppe isolée homologuée disponible auprès de votre distributeur agréé. Une enveloppe isolante n'est pas requise pour le modèle évier/brûleurs latéraux BFGC-30BS. Utilisez uniquement une enveloppe isolée DCS ayant été conçue et testée spécialement à cette fin.

Analysez le schéma détaillé (Fig. 03) et tenez compte des dispositions à prendre pour le branchement de la conduite de gaz au coin droit arrière. Il est recommandé de prévoir des trous de ventilation dans l'enceinte pour éviter le risque d'accumulation de gaz en cas de fuite. Les pièces d'appui ou la base de support doivent être de niveau et plates. Le comptoir doit aussi être de niveau.

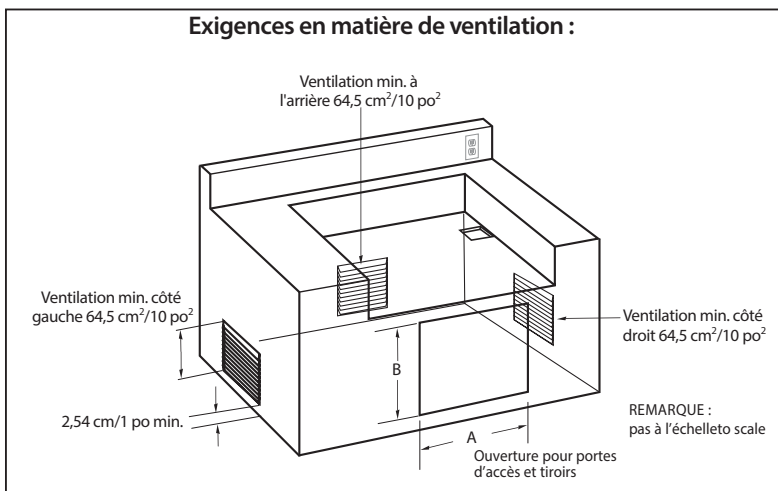


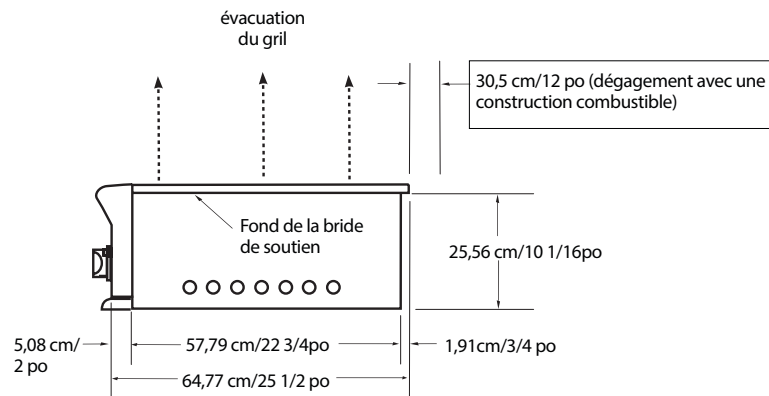
Fig. 02

## Dimensions de découpe de portes d'accès et de tiroirs correspondants

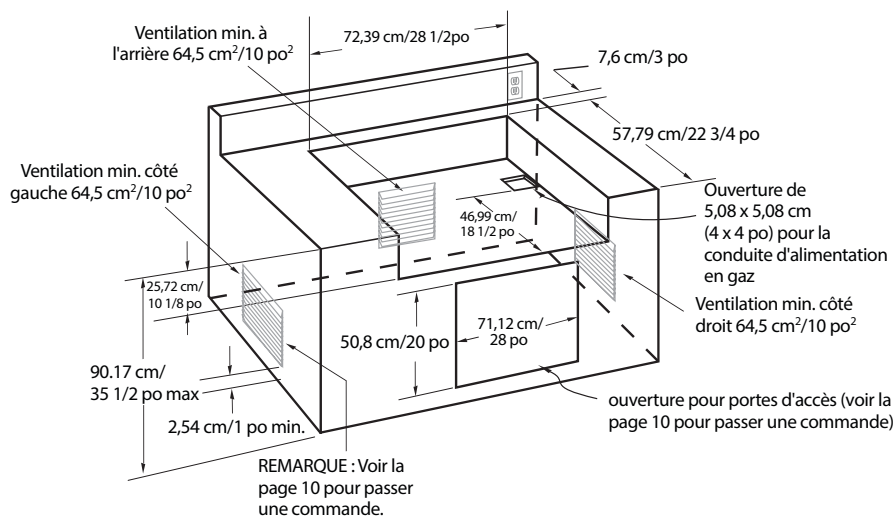
De portes d'accès et de tiroirs	A	B
ADN120X24	55,9 cm (22 po)	50,8 cm (20 po)
ADN120X30	71,1 cm (28 po)	50,8 cm (20 po)
ADN120X36	86,4 cm (34 po)	50,8 cm (20 po)
ADN120X48	116,8 cm (46 po)	50,8 cm (20 po)
ADR224	55,9 cm (22 po)	50,8 cm (20 po)
ADR236	86,4 cm (34 po)	50,8 cm (20 po)
ADR230	71,1 cm (28 po)	50,8 cm (20 po)
ADR248	116,8 cm (46 po)	50,8 cm (20 po)

# INSTALLATION

## DÉTAILS D'UNE CONSTRUCTION INTÉGRÉE



### Disposition standard pour une enceinte non combustible :



### ⚠ AVERTISSEMENT!

Pour installer le grill dans une enceinte non combustible, toute la construction combustible doit toujours être en dehors de la zone de dégagement de 30,5 cm (12"). Si l'îlot est fabriqué en stuc sur des montants en bois, le bois ne peut pas être à l'intérieur de la zone de dégagement de 30,5 cm (12") du combustible, même si c'est le stuc qui touche la zone de grill.

### Disposition pour enveloppe isolée seulement - enceinte combustible :

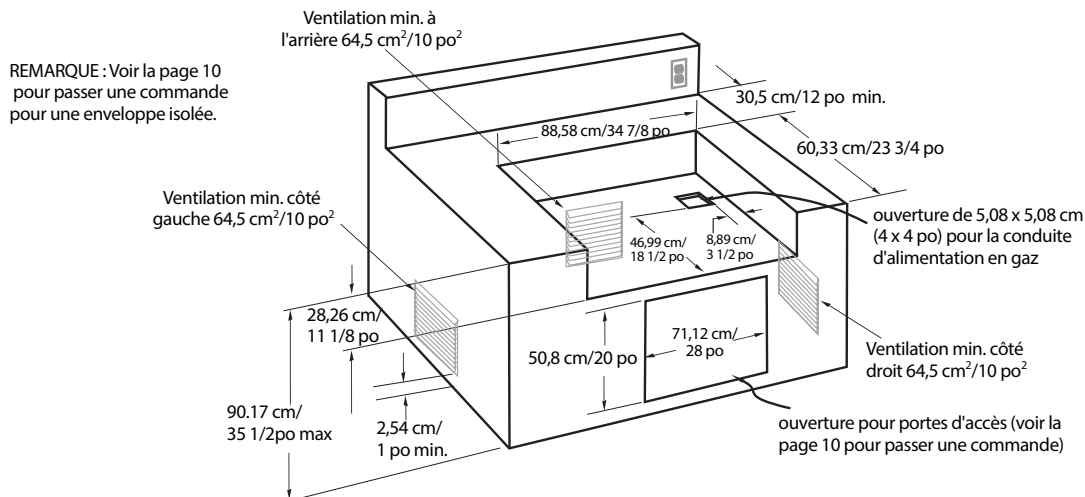


Fig. 03

# INSTALLATION

## INSTRUCTIONS DE MONTAGE DE CHARIOT

### IMPORTANT:

Lisez toutes les instructions avant de commencer. Évitez de sauter des étapes.

### ATTENTION :

Certaines pièces ont des bords coupants; faites attention lorsque vous manipulez les différents composants pour éviter de vous blesser. Veuillez lire les consignes de sécurité de ce manuel avant de commencer l'assemblage. Portez des gants.

Il faut deux personnes ou plus pour assembler le chariot et l'appareil d'extérieur.

**REMARQUE :** Évitez de déplacer le chariot par la tablette latérale en option. Poussez ou tirez le chariot en saisissant les coins de la tête.

### PLACEMENT DE LA DESSERTE

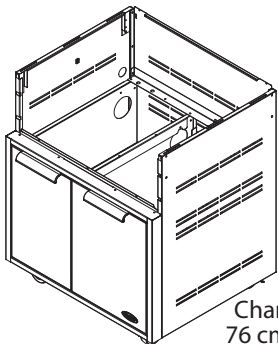
Pour une bonne utilisation, ce produit doit être installé/positionné sur un sol plat ou un patio. Les inégalités telles que bosses, fissures et protubérances doivent être de 0,6 cm (1/4") ou moins. Se reporter à la Fig. 04 pour obtenir les dimensions de terre plate.



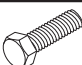


## Pour commencer

- Retirez l'emballage.

### Contenu :

Le chariot est emballé dans une seule boîte. Celle-ci contient le chariot de 76 cm (30 po) et un kit de matériel universel destiné à l'installation de la tête qui comprend du matériel supplémentaire pour votre commodité.

Contenu	Qté
 Chariot de 76 cm (30")	1

Contenu	Qté
 Vis cruciformes usinées 10-24X1/2"	13
 Support, languette	2
 Boulon hex 1/4-20-1/2"	2
 Rondelle .313 x .750	4
 Écrou hex 1/4-20	2

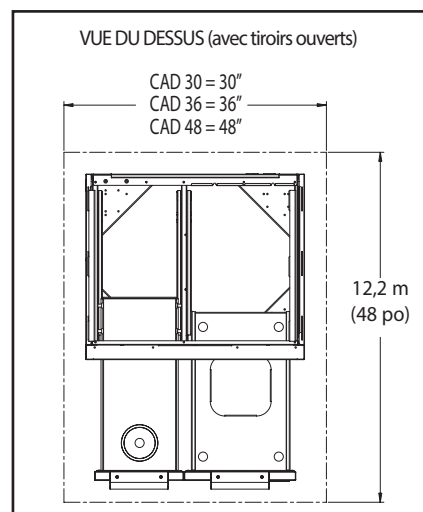








Fig. 04

### Outils requis :

	Lunettes de sécurité
	Gants de travail
	Tournevis mécanique ou perceuse à vitesse variable avec embout cruciforme n° 2
	Clé Allen 5/32"
	Clé Allen 3/16"
	Clé Allen 3/32"



# INSTALLATION

## INSTRUCTIONS DE MONTAGE DE CHARIOT

### Étape 1

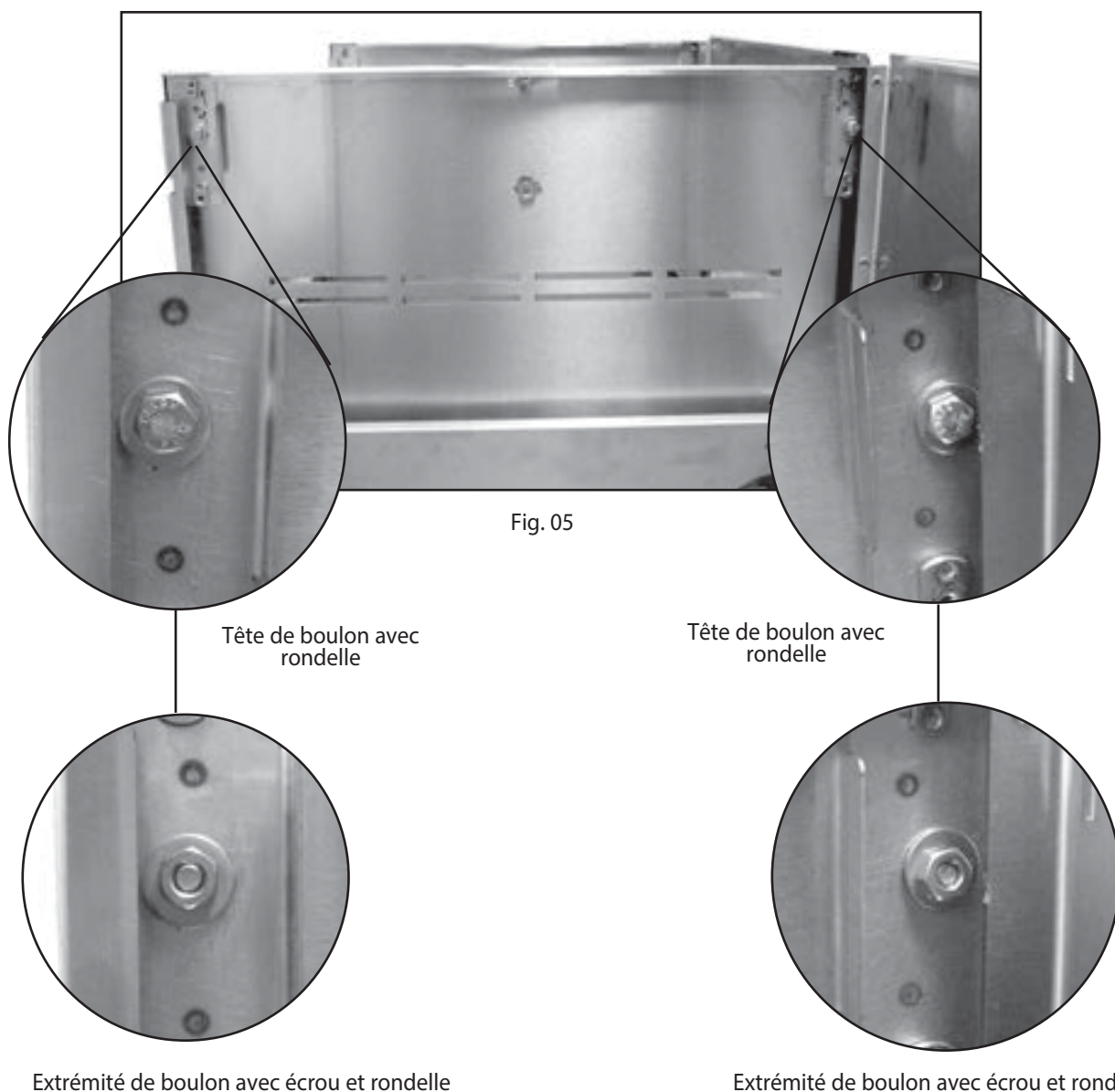
#### Regroupement de chariot (en option)

(Pour regrouper deux chariots CAD ou plus, procédez aux instructions suivantes en premier, à l'aide de la visserie fournie, avant d'installer les modules supérieurs.)

1. Pour regrouper les chariots – serrez à la main 2 boulons, 4 rondelles et 2 écrous sur le devant et l'arrière des chariots comme l'indique la Fig. 05. Serrez soigneusement à la clé les fixations une fois que les chariots sont alignés l'un avec l'autre.

### ATTENTION :

Une fois que les chariots sont regroupés, ils ne peuvent plus être déplacés. Déplacer les chariots une fois regroupés risquerait de les endommager.



# INSTALLATION

## INSTRUCTIONS DE MONTAGE DE CHARIOT

### Étape 2

#### Préparation de la tête de l'appareil d'extérieur

1. Il vous faut d'abord retirer les équerres du côté de l'appareil et les remplacer par les supports de fixation du chariot (Fig. 06). L'appareil est expédié préparé pour une installation autoportante.
2. Installez la languette de support de part et d'autre de la tête de l'appareil à l'aide de 8 des vis 10-24 x 1/2". Installez chaque support avec 4 vis de part et d'autre de la tête de l'appareil d'extérieur (Fig. 07 et 08).

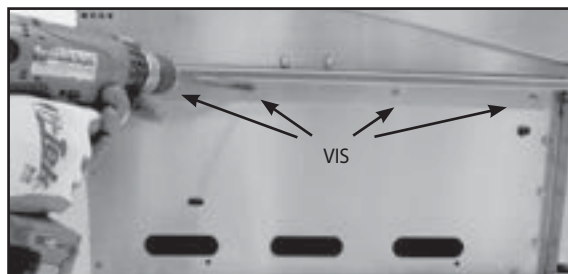


Fig. 06



Fig. 07

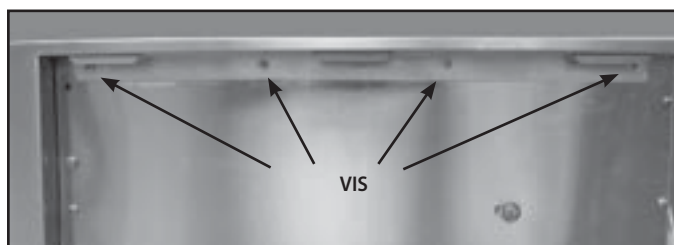


Fig. 08

### Étape 3

#### Placement de la tête sur le chariot (il faut 2 personnes pour cette tâche)

1. Retirez le récipient à graisse/ramasse-gouttes (Fig. 09) et tous les autres composants amovibles (pour alléger la charge) telles que les grilles, les capuchons et composants de brûleurs, ainsi que le capuchon de conduit de plaque chauffante, le plateau radiant et le brûleur de grill pour faciliter le travail.
2. Il faut deux personnes pour soulever la tête (module évier illustré). Placement de la tête sur chariot – Placez l'arrière de tête sur l'arrière du chariot en premier (Fig. 10). Puis laissez les languettes latérales arrière se situer d'abord dans les fentes sur le dessus des côtés du chariot. Les autres languettes se situeront dans les fentes du milieu et du devant de sorte que la tête s'abaisse en position sur le chariot (Fig. 11).



Fig. 09



Fig. 10

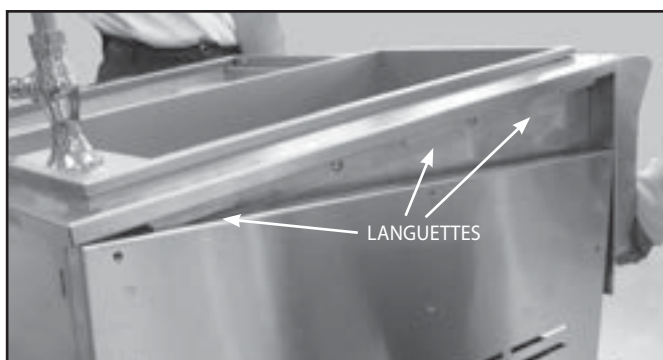


Fig. 11

# INSTALLATION

## INSTRUCTIONS DE MONTAGE DE CHARIOT

3. Positionnez les languettes sur le support latéral pour rentrer dans les fentes sur le chariot (faites attention aux points de pincement) (Fig. 12 -13). Une fois terminé, la pièce d'appui doit affleurer le haut du chariot (sans appui) (Fig. 14).

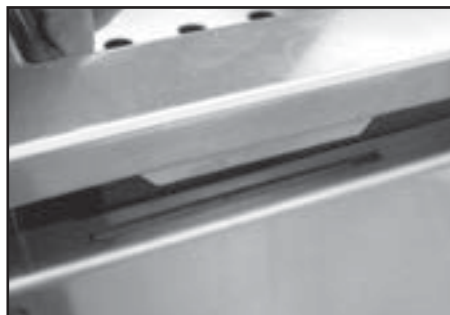


Fig. 12

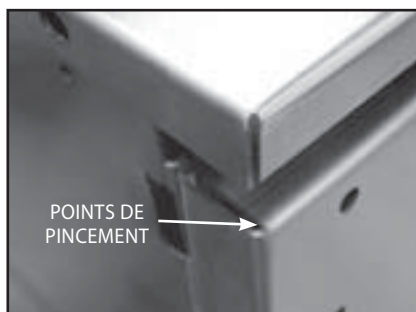


Fig. 13



Fig. 14

4. Fixez la tête à l'arrière du chariot (Fig. 15) à l'aide de (2) vis cruciformes fournies (10-24 x 1/2").
5. Installez les (3) autres vis (10-24 x 1/2") sur le devant de la tête du chariot (Fig. 16).
6. Faites glisser le récipient à graisse/ramasse-gouttes en place et remontez les pièces retirées à l'Étape 3, n° 1.



Fig. 15



Fig. 16

# INSTALLATION

## INSTRUCTIONS DE MONTAGE DE CHARIOT

### Étape 4

#### Branchement du gaz – Propane

Assurez-vous que l'ensemble de chariot est stable. Ouvrez le tiroir de la bouteille. Placez la bouteille de propane comme l'indique la Fig. 17. Raccordez l'ensemble du régulateur à la connexion de bouteille avec toutes les valves de l'appareil en position « OFF ». Ouvrez le robinet de la bouteille et vérifiez l'absence de fuite de gaz (Fig. 18).



Fig. 17



Fig. 18

### ⚠️ POUR VOTRE SÉCURITÉ

Pour éviter toute blessure corporelle ou tout dommage des tiroirs, ne les surchargez pas. La capacité maximum de chaque tiroir est de 16 kg (35 lb).



### ⚠️ AVERTISSEMENT!

N'appuyez pas sur le dessus des tiroirs. L'appareil pourrait basculer vers l'avant.

### ACCROCHEZ

Pour utiliser les supports de couvercle fournis, accrochez-les d'abord à la fente située sur le côté ou à l'arrière du chariot. Suspendez ensuite les supports dans un sens ou dans l'autre (Fig. 20 ou 21).

#### Remarque :

Évitez de déplacer le chariot alors que les supports sont accrochés; ceci pourrait les faire tomber et les endommager.

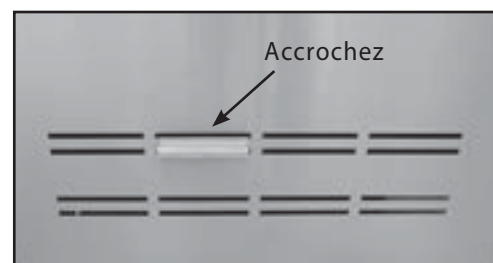


Fig. 19



Fig. 20



Fig. 21

# INSTALLATION

## BRANCHEMENT DU GAZ

### EXIGENCES CONCERNANT LE GAZ

Vérifiez le type de gaz à utiliser (gaz naturel ou propane) et assurez-vous que les indications figurant sur la plaque signalétique de l'appareil sont conformes à celles de l'alimentation. La plaque signalétique est située sur le bas de l'appareil d'extérieur. Ne connectez jamais un tuyau à gaz non régulé à l'appareil. Vous devez utiliser le détendeur de gaz fourni avec l'unité, même si l'alimentation est contrôlée.

Un robinet d'arrêt fourni par l'installateur doit être installé dans un endroit facilement accessible. Toutes les pièces fournies par l'installateur doivent être conformes aux codes en vigueur ou, en l'absence de tels codes, à la norme ANSI/NFPA 70 du National Electrical Code (Code national de l'électricité), ou norme ACNOR C22.1 du Code canadien de l'électricité, et norme ANSI Z223.1 du National Fuel Gas Code (Code national de gaz combustible), ou norme CSA B149.1 du Code d'installation du gaz naturel ou norme CSA B149.2 du Code d'installation du propane.

Tous les produits d'étanchéité utilisés doivent être approuvés et résister aux effets du propane. N'utilisez jamais ces produits sur des raccords évasés. Toutes les connexions de gaz doivent être effectuées par un technicien qualifié conformément aux codes et règlements en vigueur. En l'absence de codes locaux, l'installation doit être conforme à la norme ANSI Z223.1 du National Fuel Gas Code. Les kits de conversion au gaz sont disponibles auprès de l'Centre de service à la clientèle DCS. Au moment de commander un kit de conversion au gaz, ayez sous la main le numéro de modèle et le type de gaz (naturel ou propane) de votre gril.

### CONSOMMATION TOTALE DE GAZ DE L'APPAREIL D'EXTÉRIEUR, LES BRÛLEURS ÉTANT TOUS SUR HI/SEAR :

BFGC-30G – 50 000 BTUH

BFGC-30BGD – 49 000 BTUH

BFGC-30BS – 34 000 BTUH

L'appareil et son robinet d'arrêt doivent être déconnectés du système d'alimentation en gaz durant les tests de pression lorsque celle-ci est supérieure à 3,5 kPa (1/2 PSIG). L'appareil doit être isolé du système d'alimentation en gaz en fermant son robinet d'arrêt durant les tests de pression si la pression est inférieure ou égale à 3,5 kPa (1/2 PSIG). L'installation de cet appareil doit être conforme aux codes en vigueur ou, en l'absence de tels codes, à la norme ANSI Z223.1 du National Fuel Gas Code. L'installation au Canada doit être conforme aux normes Standard CAN1-b149.1 ou .2 (code d'installation pour les appareils et équipements à gaz) et aux codes en vigueur.

### BRANCHEMENT DU GAZ NATUREL : (CE TYPE DE CONNEXION DOIT ÊTRE EFFECTUÉ PAR UN TECHNICIEN CERTIFIÉ OU AUTORISÉ UNIQUEMENT.)

**Connexion :** Raccord mâle 1/2 po NPT avec adaptateur évasé 3/8 po. **Pression utile :** 4,0 po C.E. **Pression**

**d'alimentation :** 5 à 14 po C.E. Si la pression dépasse 14 po C.E., un régulateur est requis pour diminuer la pression. Rendez-vous auprès de votre service de distribution de gaz local ou consultez les codes en vigueur au sujet de l'installation de conduites d'alimentation en gaz. Vérifiez en particulier le type et les dimensions de la conduite et de sa profondeur d'enfouissement. L'appareil d'extérieur risque de ne pas fonctionner correctement si la conduite de gaz est trop courte. Tous les produits d'étanchéité utilisés doivent être approuvés et résister aux effets des gaz naturels.

### POUR CONNECTER LES RACCORDS FOURNIS AVEC LE GRIL :

Effectuez l'assemblage tel qu'indiqué (Fig. 22). Utilisez le composé de filetage sur les filetages mâles uniquement. N'en mettez pas sur l'extrémité mâle du raccord 3/8 po NPT avec adaptateur évasé 3/8 po. Utilisez une seconde clé à tube pour maintenir le tuyau d'admission du gril afin d'éviter de déplacer les conduites de gaz internes du gril. Assurez-vous que la flèche du régulateur pointe en direction du débit de gaz, vers l'appareil, dans le sens opposé à l'alimentation de gaz. N'oubliez pas de placer le robinet d'arrêt fourni par l'installateur dans un endroit facilement accessible.

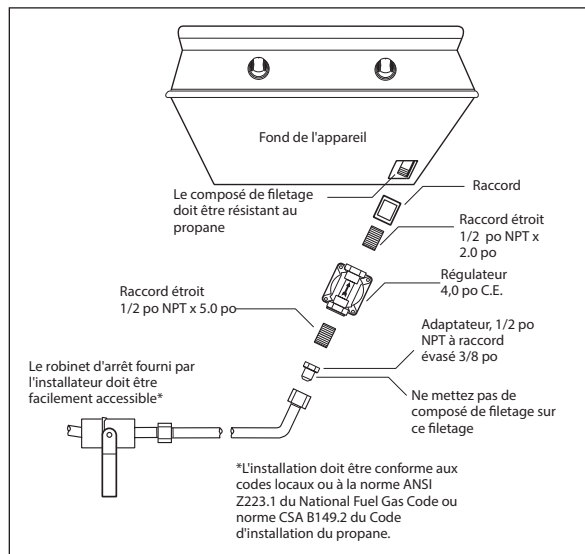


Fig. 22 Gaz naturel

# INSTALLATION

## BRANCHEMENT DU GAZ

### BRANCHEMENT DU PROPANE (RÉGULATEUR DE TYPE 1 OU QCC1) :

Tous les appareils d'extérieur dont les orifices sont prévus pour du propane sont équipés d'un tuyau et d'un régulateur de haute capacité pouvant être connectés à une bouteille standard de propane de 9 kg (20 lb) (Type 1). La bouteille de propane n'est pas incluse.

**Connexion :** Raccord mâle 3/8 po NPT avec adaptateur évasé 3/8 po (inclus). Un tuyau de propane avec déconnexion rapide et des raccords sont inclus. **Pression utile :** 11,0 po C.E.

### MISE EN GARDE!

Avant de raccorder la bouteille de propane au régulateur, assurez-vous que tous les brûleurs sont en position « OFF » et que le couvercle a été retiré.

Pour connecter le régulateur et le tuyau de propane à la bouteille et au robinet, assurez-vous d'abord que le robinet principal de la bouteille est complètement fermé. Bien que le débit de gaz soit arrêté lorsque le système de Type 1 est déconnecté par mesure de sécurité, fermez toujours le robinet principal de la bouteille (Fig. 23) après chaque utilisation et durant le transport de la bouteille ou de l'appareil. Insérez l'admission du régulateur dans le robinet de la bouteille et tournez le coupleur noir dans le sens des aiguilles d'une montre jusqu'à ce qu'il soit serré. **Évitez de trop serrer.** Ouvrez le robinet principal de la bouteille et appuyez et tournez les valves de réglage du brûleur de l'appareil en position « HI » pendant environ 20 secondes, fermez les valves, et patientez 5 minutes pour purger l'air du système avant d'allumer les brûleurs.

Avant de déconnecter le coupleur, assurez-vous d'abord que le robinet principal de la bouteille est fermé. Saisissez le coupleur et tournez-le dans le sens contraire des aiguilles d'une montre. L'admission se dégage alors. Retirez-la de l'ouverture du robinet de la bouteille si ce n'est déjà fait. Votre station locale de ravitaillement en propane doit être équipée de façon à pouvoir remplir correctement votre bouteille.

### EXIGENCES CONCERNANT LA BOUTEILLE DE PROPANE :

Une bouteille bosselée ou rouillée peut poser un danger. Faites-la examiner par votre fournisseur de gaz. La bouteille utilisée doit avoir une bague pour protéger la soupape de bouteille. N'utilisez jamais une bouteille dont la valve est endommagée. Regardez toujours s'il y a des fuites après chaque changement de bouteille. La bouteille de propane doit être fabriquée et marquée conformément aux spécifications relatives aux bouteilles de propane publiées par le « U.S. Department of Transportation » (DOT ou CAN/CSA-B339) et porter la mention limitant leur utilisation aux systèmes de Type 1. Ne changez pas le régulateur et le tuyau fournis avec l'appareil et n'essayez pas d'utiliser un régulateur et un tuyau de Type 1 avec une valve de bouteille 510 POL standard. La bouteille doit posséder un robinet d'arrêt terminé par une sortie de valve spécifiée, selon le cas, pour une connexion de Type 1.

Si l'appareil est rangé à l'intérieur, débranchez la bouteille et retirez-la de l'appareil. Les bouteilles doivent être rangées dans un lieu extérieur bien aéré, hors de portée des enfants.

#### Remarque :

Lorsque un appareil au gaz propane est directement connecté à un système résidentiel de gaz propane, il FAUT utiliser le régulateur pour réduire la pression d'alimentation du régulateur de gril à 14 po C.E. max. et 11 po C.E. min.

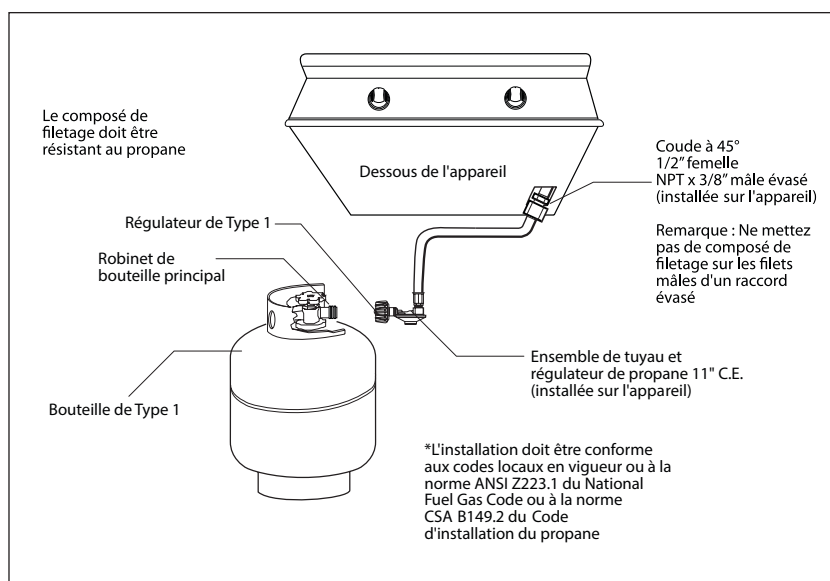


Fig. 23 Gaz propane

# INSTALLATION

## BRANCHEMENT DU GAZ

### INSTRUCTIONS RELATIVES À LA BOUTEILLE DE PROPANE POUR INSTALLATIONS ENCASTRÉES

Pour installer le gril dans une application encastrée, il doit être installé conformément aux directives d'installation encastrée figurant dans le guide d'utilisation et d'entretien accompagnant le gril.

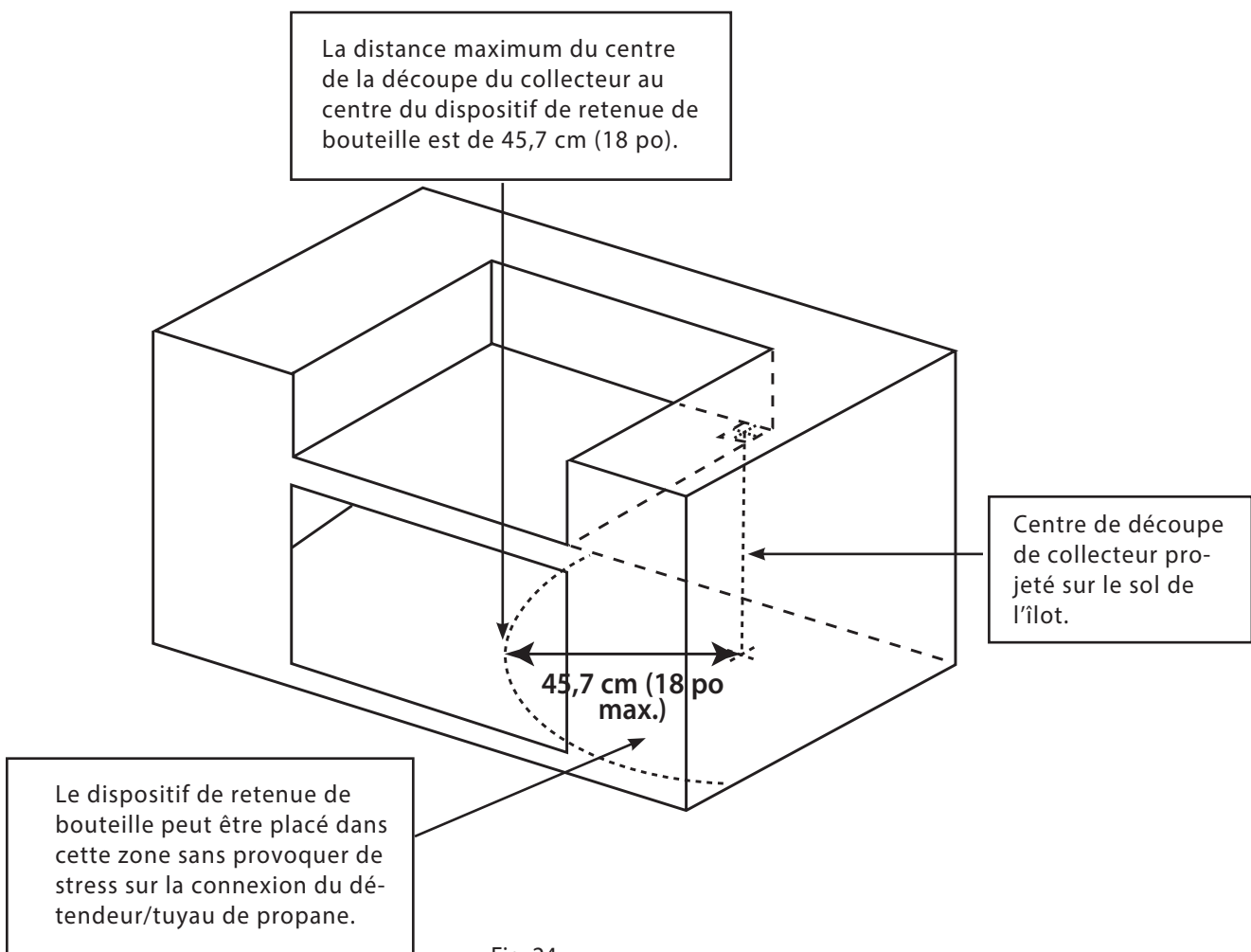
Si le gril va être utilisé avec du gaz propane utilisant une bouteille de 20 lb Type 1, il faut alors installer le dispositif de retenue de la bouteille de propane, réf. 242232, avant d'utiliser le gril pour la première fois. Si vous n'avez pas ce dispositif, veuillez contacter le Service à la clientèle DCS en composant le (888) 936-7872 pour en obtenir un.

Les étapes suivantes illustrent la manière de trouver et d'installer correctement le dispositif de retenue de bouteille de propane dans l'enceinte encastrée.

#### REMARQUE :

*Le gril est fourni avec un ensemble détendeur/tuyau de propane installé en usine. L'ensemble, avec le système de gril complet, a été soumis à des essais d'étanchéité.*

*Ne pas retirer l'ensemble détendeur/tuyau du gril durant son installation.*



# INSTALLATION

## BRANCHEMENT DU GAZ

### STEP 1

Placez le dispositif de retenue de bouteille dans l'îlot (Fig. 25).

### STEP 2

Situez le dispositif de retenue de bouteille dans l'îlot à l'intérieur de la zone recommandée (Fig. 24 et 26).

### STEP 3

Une fois situé, fixer sur le bas de l'îlot à l'aide des huit emplacements de trous prévus sur le dispositif de retenue. Utilisez des vis à bois pour les planchers en bois ou des vis d'ancrage ou des boulons pour les sols en béton ou en maçonnerie (Fig. 27).

### STEP 4

Une fois fixé, placez la bouteille de propane dans le dispositif de retenue en vous assurant que la bouteille est complètement vers le bas, en attachant fermement la bouteille dans le dispositif de retenue (Fig. 28).

### STEP 5

Attachez l'ensemble détendeur/tuyau et faites fonctionner le gril normalement comme il l'est indiqué dans le manuel d'utilisation et d'entretien (Fig. 29).

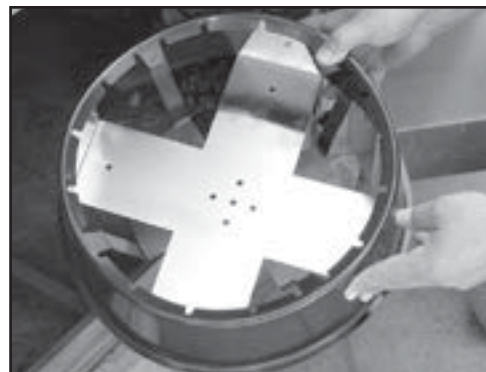


Fig. 25



Fig. 26



Fig. 27



Fig. 28

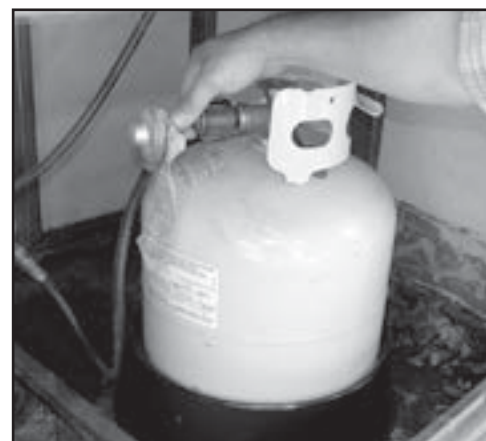


Fig. 29



# INSTALLATION

## TEST DE DÉTECTION DES FUITES – UNITÉ DE GRILLE ET DE PLAQUE CHAUFFANTE

### GÉNÉRALITÉS :

Bien que toutes les connexions de gaz du gril soient testées en usine avant l'expédition, une vérification complète doit être effectuée sur le site d'installation, pour s'assurer qu'il n'y a pas de fuites, au cas où l'appareil aurait été malmené durant le transport ou qu'il aurait subi une pression excessive. Vérifiez périodiquement l'absence de fuites dans le système ou vérifiez immédiatement si vous sentez une odeur de gaz.

### Avant la vérification :

**Ne fumez pas pendant le test de détection des fuites. Éteignez toute flamme vive. N'effectuez jamais d'épreuve d'étanchéité près d'une flamme vive.** Faites un mélange, à parts égales, de détergent liquide et d'eau. Vous aurez besoin d'une bouteille avec vaporisateur, d'une brosse ou d'un chiffon pour appliquer la solution aux raccords. Pour les appareils à propane, effectuez la vérification avec une bouteille pleine. Le panneau des valves doit être retiré pour tester les valves et les raccords. Retirez les boutons, puis les 2 vis qui retiennent le panneau à l'appareil (il vous faudra un tournevis cruciforme pour ce travail). Tirez le panneau vers l'extérieur et débranchez les fils du module d'allumage.

### Pour tester :

Assurez-vous que les valves de réglage sont en position « OFF ». Ouvrez l'alimentation en gaz « ON ». Vérifiez toutes les connexions, de la conduite d'alimentation, ou bouteille de propane, jusqu'au tube du collecteur. Appliquez la solution savonneuse autour des connexions, des valves, des tuyaux et de l'extrémité du collecteur. Des bulles de savon apparaîtront en cas de fuite. Si c'est le cas, fermez immédiatement le gaz, serrez tous les raccords qui fuient, ouvrez le gaz et vérifiez de nouveau. Inspectez toutes les connexions à gaz à la base des valves de réglage, là où elles se vissent dans le tube du collecteur.

Si vous ne pouvez pas arrêter une fuite, fermez le gaz et appelez votre service de distribution de gaz ou le distributeur qui vous a vendu l'appareil. Utilisez uniquement les pièces recommandées par le fabricant. Toute substitution peut annuler la garantie.

## **AVERTISSEMENT!**

**N'utilisez pas le gril tant que toutes les connexions n'ont pas été inspectées.**

Vérifiez l'absence de fuites au niveau des raccords avant chaque utilisation. Conservez une bouteille d'eau savonneuse munie d'un vaporisateur près du robinet d'arrêt de l'alimentation en gaz. Vaporisez tous les raccords. La formation de bulles indique la présence de fuites (Fig. 30 et 31).

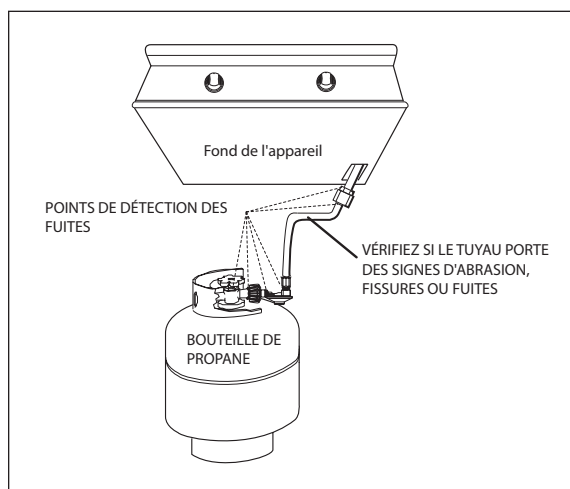


Fig. 30 Gaz propane

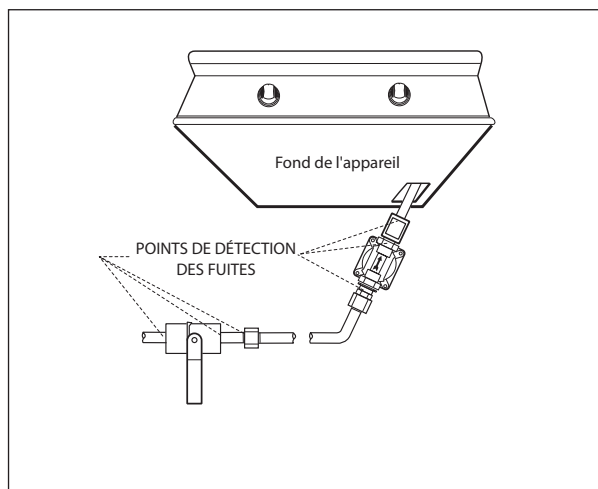


Fig. 31 Gaz naturel

# INSTALLATION

## TEST DE DÉTECTION DES FUITES – BRÛLEUR LATÉRAUX



### AVERTISSEMENT!

Ne fumez pas pendant le test. Éteignez toute flamme vive.

Préparez une solution savonneuse composée à moitié de détergent liquide et à moitié d'eau. Ne vérifiez jamais la présence de fuites près d'une flamme vive. Pour les appareils à propane, effectuez la vérification avec une bouteille pleine. Assurez-vous que les valves de réglage sont en position « OFF » (fermé). Ouvrez l'alimentation en gaz « ON ». Vérifiez toutes les connexions, de la conduite d'alimentation (Fig. 31) ou la bouteille de propane (Fig. 30) au tube du collecteur (Fig. 32). Appliquez la solution savonneuse autour des connexions à l'aide d'un vaporisateur, d'une brosse ou d'un chiffon. Des bulles de savon apparaîtront en cas de fuite. Si c'est le cas, fermez le gaz, serrez tous les raccords qui fuient, ouvrez le gaz et vérifiez de nouveau.

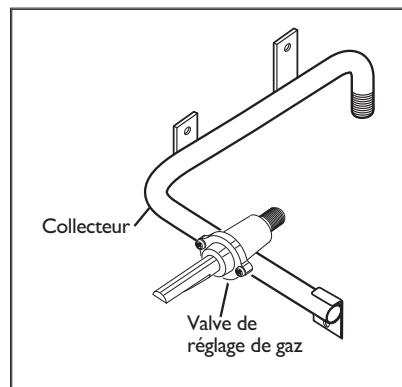


Fig. 32



### AVERTISSEMENT : IMPORTANT!

Inspectez le tube ou tuyau d'alimentation avant d'ouvrir le gaz « ON ». S'il porte des signes de coupures, usure ou abrasion, remplacez-le avant l'utilisation. N'utilisez pas l'appareil si vous sentez une odeur de gaz. Tournez le bouton de réglage à la position « OFF », puis fermez le gaz. Si vous utilisez du propane, y-a-t-il du gaz dans la bouteille? Éloignez toujours le visage et le corps le plus possible du brûleur lorsque vous allumez celui-ci.

## RÉGLAGE DES BRÛLEUR – BRÛLEUR LATÉRAUX

### BRÛLEURS

Votre nouvel appareil est équipé de brûleurs similaires à ceux que l'on utilise dans les restaurants (Fig. 33). Ces brûleurs sont conçus pour être extrêmement faciles à nettoyer et régler. Ne faites jamais fonctionner le brûleur sans son capuchon.

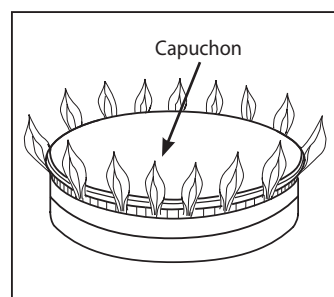


Fig. 33

### EFFICACITÉ DES BRÛLEURS ET CARACTÉRISTIQUES DE LA FLAMME

Il est nécessaire de maintenir les ports des brûleurs et les allumeurs dans un état de propreté afin d'assurer l'allumage correct et le rendement optimal des brûleurs. La flamme doit encercler complètement le brûleur sans bruit ou élévation excessive. Les flammes doivent être bleues et stables, sans pointe jaune. Durant l'utilisation initiale, la présence de particules étrangères dans la conduite de gaz ou de poussière dans l'air à proximité de l'appareil peut produire une flamme orange. Ceci disparaît avec l'usage.

### HAUTEUR DE LA FLAMME

La hauteur correcte de la flamme dépend essentiellement des dimensions du fond de l'ustensile de cuisson, du matériau de l'ustensile, de la quantité et du type de nourriture, et de la quantité de liquide dans l'ustensile. Voici quelques règles de base pour sélectionner la hauteur de flamme.

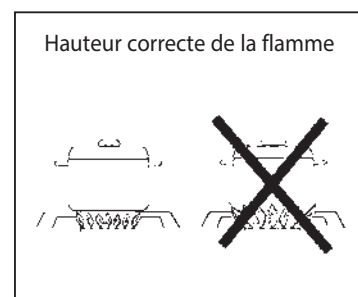


FIG. 34

- Pour des raisons de sécurité, la flamme ne doit jamais dépasser le fond du récipient. Ne laissez jamais les flammes lécher les parois de l'ustensile de cuisson (voir Fig. 34).
- Les ustensiles qui conduisent lentement la chaleur (tels que ceux en vit rocéramique) doivent être utilisés avec un feu doux ou moyen. Vous pouvez augmenter légèrement le feu si le volume de liquide est important.

# INSTALLATION

## RÉGLAGE DU BRÛLEUR DU GRIL – UNITÉS DE GRILLE ET DE PLAQUE CHAUFFANTE

Chaque brûleur du grill est testé et réglé en usine avant d'être expédié; toutefois, des variations au niveau de l'alimentation en gaz locale ou de la conversion d'un gaz à un autre peut nécessiter un nouveau réglage. Les flammes des brûleurs doivent être vérifiées visuellement et comparées à celles du schéma de la figure 35. Les flammes doivent être bleues et stables, sans pointe jaune ni bruit excessif, et ne doivent pas tirer vers le haut. Si l'une de ces situations se produit, vérifiez si les obturateurs d'air ou les ports des brûleurs sont bloqués par de la saleté, des débris, des toiles d'araignée, etc. Ajustez les obturateurs. La quantité d'air qui pénètre dans le brûleur est contrôlée par une cuvette en tôle, situé à l'entrée du brûleur, et appelée obturateur d'air. Elle est maintenue en place par une vis qui doit être desserrée avant d'allumer le brûleur pour le régler.

### HAUTEUR DES FLAMMES DU BRÛLEUR DU GRIL :

Pour accéder aux obturateurs d'air du brûleur du grill, retirez d'abord le panneau des valves de la façon décrite à la page 21, à la section « Avant la vérification ». Desserrez, à l'aide d'un tournevis, la vis de blocage sur le devant de l'obturateur d'air. Allumez le brûleur et réglez-le selon les indications données (Fig. 35).

#### Réglage :

1. Soyez prudent car le brûleur peut être très chaud.
2. Si la flamme est jaune, ce qui indique une insuffisance d'air, tournez l'obturateur d'air vers la gauche pour laisser passer davantage d'air pour le brûleur.
3. Si la flamme fait du bruit et tend à s'élever du brûleur, ce qui indique un excédent d'air, tournez l'obturateur d'air vers la droite.
4. Une fois le brûleur réglé, éteignez-le et inversez les étapes pour le remonter.

### RÉGLAGES POUR NIVEAU BAS :

Les valves du grill comportent un niveau bas réglable. Selon les fluctuations de la pression de gaz, du niveau de chaleur ou de la conversion de gaz, vous pourriez juger nécessaire d'augmenter ou de réduire le débit de gaz au niveau bas.

#### Réglage :

1. Allumez le brûleur.
2. Tournez le bouton de réglage vers le niveau le plus bas (complètement à gauche).
3. Retirez le bouton.
4. Tout en tenant l'axe de la valve avec des pinces, insérez un tournevis mince à tête plate dans l'axe et, tout en surveillant le brûleur, ajustez jusqu'à obtenir une petite flamme stable (Fig. 36).

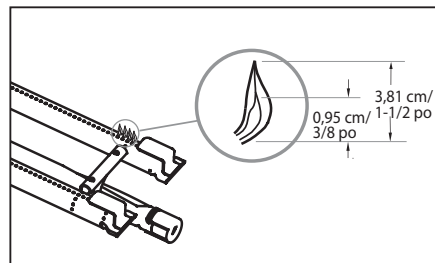


Fig. 35 Hauteur des flammes du brûleur

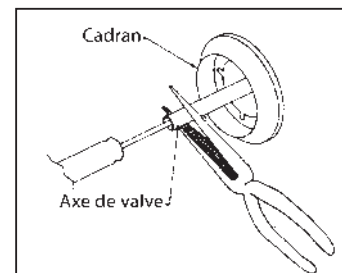


Fig. 36 Réglages pour niveau bas

## AVERTISSEMENT : IMPORTANT!

Avant d'allumer, inspectez le tube ou tuyau d'alimentation en gaz avant d'ouvrir le gaz. S'il porte des signes de coupures, usure ou abrasion, remplacez-le avant l'utilisation.

# INSTALLATION

## INSTALLATION DE L'ENSEMBLE DU RADIANT

### INSTALLATION DE L'ENSEMBLE DU RADIANT :

1. Déballez les tiges en céramique et retirez le radiant (Fig. 37) de l'appareil.
2. Déverrouillez le couvercle du radiant en le poussant de deux doigts (Fig. 38).
3. Placez 18 tiges en céramique sur le radiant (Fig. 39).
4. Verrouillez le couvercle du radiant (Fig. 40).
5. Placez le radiant assemblé dans l'appareil (Fig. 41).



Fig. 37

### IMPORTANT:

Le placement des plateaux dans le gril est crucial pour assurer une performance de cuisson uniforme. Les couvercles d'extrémité des radiants verrouillés doivent se trouver au milieu du gril. Voir Figure 41.



Fig. 38



Fig. 39



Fig. 40

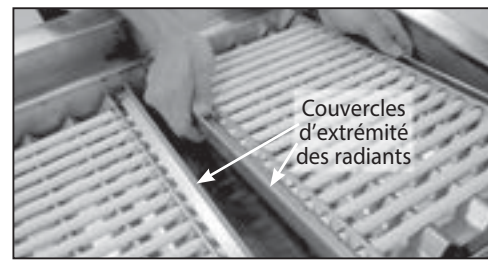


Fig. 41

### Remarque :

*Si une tige en céramique se brise :*

- a) Déverrouillez le couvercle du radiant en le poussant de deux doigts (Fig. 38) ou en utilisant une pince.
- b) Remplacez la tige en céramique brisée.
- c) Verrouillez le couvercle du radiant.

# INSTALLATION

## ÉVIER

### INSTALLATION DES ROBINETS

1. Attachez le robinet à l'évier comme l'indiquent les Fig. 42 et 42a.

### ATTENTION :

Serrez d'abord à la main puis utilisez une clé de 1".



Fig. 42

2. Insérez la bonde dans l'orifice d'évacuation Fig. 43.



Fig. 43

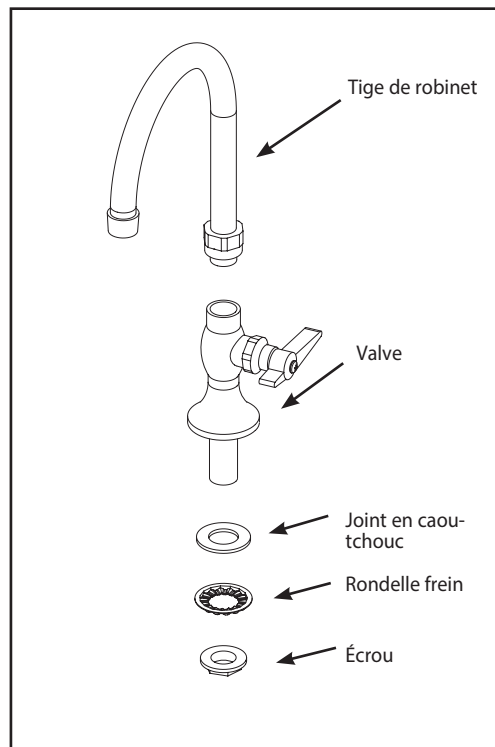


Fig. 42a

### **AVERTISSEMENT!**

L'évier est prévu pour se laver les mains et nettoyer. Il ne faut pas utiliser l'évier pour de l'eau potable ou la préparation des aliments à moins que celui-ci n'ait été installé par un plombier homologué et conformément aux codes locaux.

### INSTALLATION DE L'ÉVIER

#### Installation permanente d'eau/de vidange (Installation autoportante)

Demandez à un plombier homologué de raccorder et d'installer le réseau d'alimentation en eau et le système de vidange conformément aux exigences des codes locaux. Assurez-vous d'avoir des connexions de vidange conformes aux codes locaux.

Le raccord d'arrivée d'eau de l'évier est un raccord mâle 1/2 NPS.

Le raccord de vidange d'eau de l'évier est un raccord mâle 1-1/2 NPS.

#### Installation de l'eau pour évier sur le chariot CAD-30

Un kit d'accessoire de vidange d'évier en option, Réf. 70855, est disponible auprès de votre distributeur local.

1. Posez la boîte de brûleurs sur une table et attachez le flexible d'alimentation en eau (fournir par l'installateur) au robinet à l'aide d'une clé.

# INSTALLATION

## TABLETTE LATÉRALE (accessoire en option)

Attachez l'accessoire de tablette latérale d'un côté ou de l'autre. Il est possible d'installer la tablette latérale Modèle CAD-SK avec la tête déjà sur le chariot.

1. Vissez (2) boulons à épaulement dans les orifices pour vis inférieurs sur le côté du chariot uniquement (Fig. 44 et 45). Serrez à l'aide d'une clé Allen de 5/32.

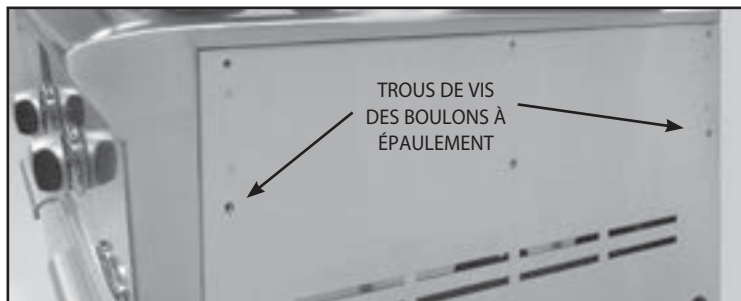


Fig. 44

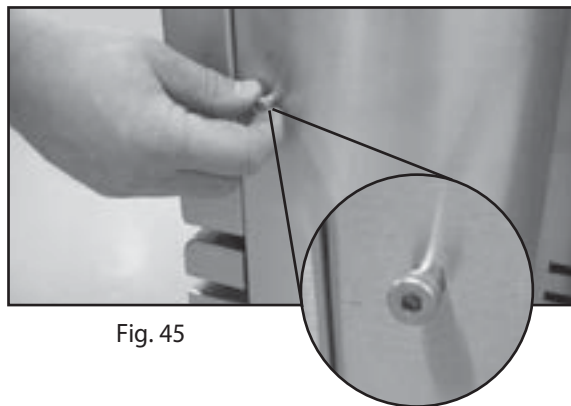


Fig. 45

2. Faites glisser les supports de tablette droit et gauche sur le boulon à épaulement (Fig. 46) et installez la vis supérieure maintenant les supports de tablette latérale sur le chariot (Fig. 47). Serrez à l'aide d'un tournevis cruciforme.



Fig. 46



Fig. 47

3. En maintenant la tablette latérale, installez 2 boulons à épaulement dans la fente et vissez dans le plateau de tablette latérale (Fig. 48). Serrez à l'aide d'une clé Allen 3/16 (Fig. 49).



Fig. 48

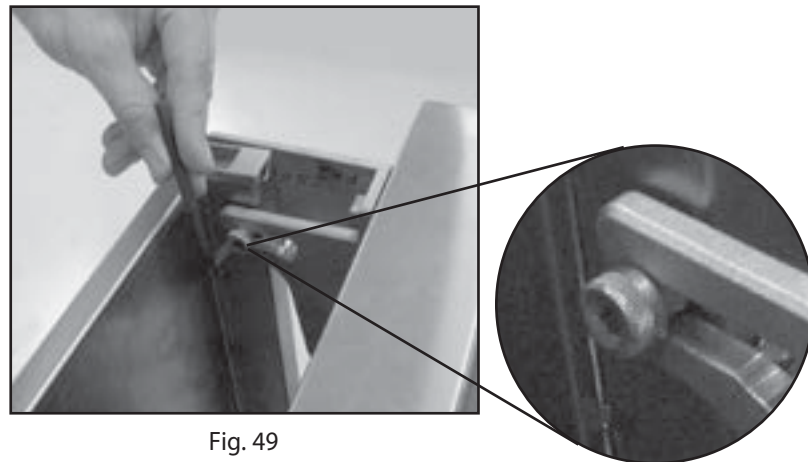


Fig. 49

# INSTALLATION

## TABLETTE LATÉRALE (accessoire en option)

4. Placez la tablette en position relevée et vérifiez qu'elle est de niveau.

Si la tablette n'est pas de niveau, ajustez la vis de réglage de la tablette latérale. Pour ajuster les vis de réglage, utilisez une clé Allen 3/32 (Fig. 50). Tournez la clé Allen dans le sens des aiguilles d'une montre pour relever la tablette. Tournez 1/4 de tour et inspectez pour voir si la tablette est de niveau. Les vis de réglage des supports gauche et droit doivent être ajustées de la même manière pour assurer que la tablette est de niveau (Fig. 51).

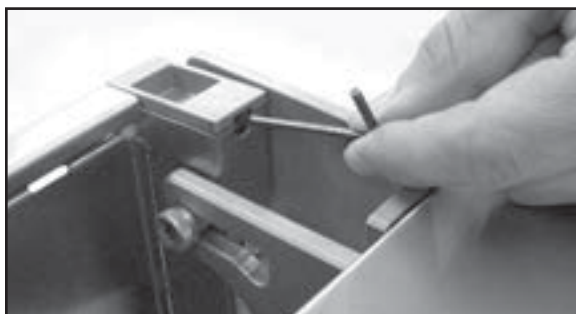


Fig. 50



Fig. 51

## LISTE DE CONTRÔLE DE L'INSTALLATEUR

- |   |   |  |
|---|---|--|
| <input type="checkbox"/> Respect des dégagements spécifiés pour les combustibles.                                   | <input type="checkbox"/> Réglage bas ajustable satisfaisant.  | l'emplacement du robinet d'arrêt de l'alimentation en gaz.                 |
| <input type="checkbox"/> Ventilation des enceintes vérifiée.  | <input type="checkbox"/> Ramasse-gouttes mis en place correctement et glissant librement.                                       | <input type="checkbox"/> Tous les radiants sont assemblés et mis en place. |
| <input type="checkbox"/> Bandes de nylon enlevées des brûleurs.   | <input type="checkbox"/> Régulateur de pression connecté et réglé pour 4,0 po C.E. (gaz naturel) ou 11,0 po C.E. (gaz propane). | ■ VEUILLEZ LAISSER CES INSTRUCTIONS À L'UTILISATEUR.                       |
| <input type="checkbox"/> Emballage interne retiré.  | <input type="checkbox"/> Robinet d'arrêt manuel installé et accessible.   | ■ UTILISATEUR, VEUILLEZ CONSERVER CES INSTRUCTIONS À TITRE DE RÉFÉRENCE.   |
| <input type="checkbox"/> Boutons tournant librement, cadrans centrés.   | <input type="checkbox"/> Appareil testé et exempt de toute fuite de gaz et d'eau.   |  |
| <input type="checkbox"/> Chaque brûleur s'allume correctement, que ce soit seul ou avec le brûleur adjacent allumé. | <input type="checkbox"/> Utilisateur informé de   |  |
| <input type="checkbox"/> Obturateurs d'air réglés.  |   |  |

# UTILISATION DU GRIL

## INSTRUCTIONS D'ALLUMAGE

### Remarque :

*Retirez le couvercle du grill supérieur avant d'allumer le grill. Mettez tous les boutons sur « OFF ». Ouvrez l'alimentation en gaz. Si vous sentez une odeur de gaz, fermez le gaz et appelez le service technique.*

### Instructions d'allumage du grill :

Le bouton du grill est raccordé au module d'allumage électronique. Enfoncer le bouton du grill activera le module d'allumage pour obtenir une étincelle. Enfoncez et maintenez le bouton d'allumage, puis tournez le bouton du brûleur choisi à la position « SEAR ». Si le brûleur ne s'allume pas après 4 ou 5 secondes, mettez le bouton sur « OFF » et patientez 5 minutes avant d'essayer de nouveau, afin de laisser le temps au gaz accumulé de se dissiper.

### Allumage du grill à l'allumette :

Si le brûleur ne s'allume pas après plusieurs tentatives, utilisez des allumettes. Si vous venez de faire une tentative à l'aide du bouton d'allumage, patientez 5 minutes afin de laisser le gaz accumulé se dissiper. Éloignez toujours le visage le plus possible d'appareil d'extérieur, puis placez une allumette de poche sur l'orifice situé en haut à gauche (brûleur de gauche) ou à droite (brûleur de droite); voir les figures 52 et 53. Enfoncez et tournez le bouton de réglage centré sur le brûleur où se trouve l'allumette, sur « SEAR ». Si le brûleur ne s'allume pas en moins de 4 secondes, fermez le bouton, patientez 5 minutes, puis essayez de nouveau.

Allumez le brûleur gauche ou droit à l'aide de la procédure normale ou avec une allumette. Enfoncez puis tournez le bouton de réglage du brûleur adjacent à la position « SEAR ». Le gaz s'allume grâce à la flamme des brûleurs adjacents. Si le brûleur ne s'allume pas en moins de 4 secondes, fermez le bouton, patientez 5 minutes, puis essayez de nouveau.



Fig. 52

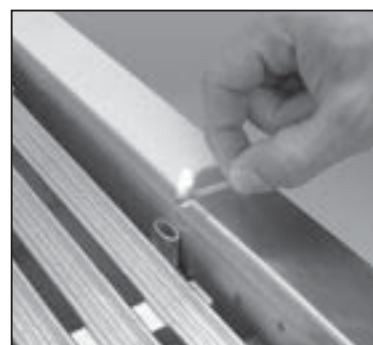


Fig. 53

## UTILISATION DU GRIL

Chaque section du grill consiste en un gros brûleur en acier inoxydable, une série d'écrans thermiques en acier inoxydable, une série de tiges en céramique encastrées dans une radiant en acier inoxydable, et une outdoor cooktope adiatthermique en acier inoxydable. Chaque brûleur est prévu pour 25 000 BTUH. Sous chaque brûleur se trouve un écran thermique en acier inoxydable qui réfléchit la chaleur utile vers le haut, vers la zone de cuisson, et réduit la température du ramasse-gouttes vers le bas. Au-dessus des brûleurs se trouvent des plateaux radiants en acier inoxydable qui entourent les tiges en céramique et protègent les ports du brûleur de tout blocage potentiel (Fig. 54).

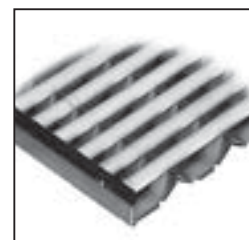


Fig. 54

Le grill est livré avec des tiges en céramique. Du fait de la porosité des tiges en céramique, leur rendement est meilleur car elles peuvent mieux capturer la chaleur émanant des brûleurs du grill. Les tubes possèdent aussi la masse thermique nécessaire pour assurer de bons résultats. Les éruptions de flammes sont contrôlées du fait que les tiges en céramique empêchent la graisse d'atteindre les flammes et de prendre feu. La chaleur intense engendrée par ce système produit une vraie saveur de cuisine en plein air car les matières grasses et les jus sont amenés à la surface des aliments et caramélisés. La décoloration est normale après utilisation.



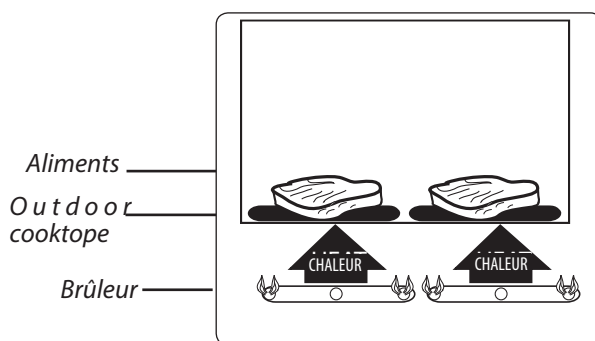
# UTILISATION DU GRIL

## IMPORTANT Utilisation du gril :

La cuisson sur gril exige un feu vif pour rôtir les aliments et les braiser correctement. La plupart des aliments sont cuits à feu modéré pendant tout le temps de cuisson. Cependant, pour cuire de gros morceaux de viande ou de volaille, il peut s'avérer nécessaire de baisser le feu après le braisage initial. Cela permet de cuire la nourriture sans en brûler l'extérieur. Pour les aliments cuits pendant une longue durée ou arrosés d'une marinade sucrée, il est bon de réduire le feu vers la fin du temps de cuisson. Il vaut mieux utiliser des sauces sucrées en fin de cuisson et ce, pour éviter de brûler les aliments.

Les grilles sont réversibles. La grille en « W » est utilisée pour les viandes et laisse la graisse s'écouler dans les rainures. La surface opposée est en « Π » pour le poisson, les légumes et les fruits qui ne contiennent pas de matière grasse.

*Outdoor cooktopade à feu direct  
(Hot-dogs, hamburgers, steaks/poulet d'épaisseur normale)*



1. Vérifiez que le ramasse-gouttes et le récipient à graisse sont en place.
2. Allumez les brûleurs du gril conformément aux instructions figurant à la page 28.
3. Préchauffez le gril pendant 5 à 10 minutes en position « SEAR ».
4. Placez les aliments sur le gril et faites-les cuire jusqu'à obtenir le degré de cuisson désiré. Réglez le niveau du feu au besoin. Le bouton de réglage peut être réglé à n'importe quelle position entre « SEAR » et « LOW »; la cuisson sur gril se fait généralement entre les niveaux « MED » et « LOW ».
5. Laissez le gril refroidir et nettoyez les outdoor cooktopes, le ramasse-gouttes et le récipient à graisse après chaque utilisation.

### Remarque :

*Si vous utilisez du propane, le temps de préchauffage peut être plus court que celui recommandé. Pour éviter de trop cuire ou de brûler les aliments, réduisez le feu.*

## CONSEILS AU SUJET DU GRIL :

Le degré de cuisson d'une viande (saignant, à demi-saignant ou à point) dépend largement de l'épaisseur des morceaux. Selon les experts, il est impossible d'obtenir un degré de cuisson saignant avec un morceau de viande mince. Le temps de cuisson est affecté par la sorte de viande, les dimensions et la forme du morceau, la température de la viande au début de la cuisson et le degré de cuisson désiré. Il est recommandé de décongeler la viande durant la nuit, dans le réfrigérateur et non pas dans un micro-ondes. Cela donne généralement une viande plus juteuse. Utilisez une spatule au lieu de pincettes ou d'une fourchette pour retourner la viande car la spatule ne perce pas la viande et ne laisse pas le jus s'échapper. Pour obtenir une viande très juteuse, ajoutez des épices ou du sel après la cuisson et retournez la viande une fois seulement (le jus est perdu quand la viande est retournée plusieurs fois). Retournez la viande dès que le jus commence à faire des bulles à la surface. Enlevez l'excès de gras de la viande avant la cuisson. Pour empêcher les biftecks ou les côtelettes de se replier durant la cuisson, faites des entailles dans le gras, le long des bords, par intervalles de 5 cm (2 po).

# UTILISATION DU DRÔLEUR LATÉRAL

## INSTRUCTIONS D'ALLUMAGE

Commencez par retirer le couvercle et les ustensiles de cuisson de la grille des brûleurs. Vérifiez que le capuchon de brûleur est mis correctement. Enfoncez, tournez et maintenez le bouton de réglage en position « HI » jusqu'à ce que le brûleur soit allumé ou que 4 secondes se soient écoulées (Fig. 55). Si le brûleur ne s'allume pas, patientez 5 minutes avant d'essayer de nouveau, afin de laisser le temps au gaz accumulé de se dissiper. Si le brûleur ne s'allume pas après plusieurs tentatives, consultez la section de dépannage à la page 39.

## ALLUMAGE À L'ALLUMETTE

Mettez une allumette de pochette à proximité des ports du brûleur et tournez le bouton de réglage dans le sens antihoraire pour le mettre sur « HI ». Retirez la main dès que le brûleur s'allume. Mettez le bouton de réglage sur le niveau désiré.

### **Remarque :**

*Il se peut qu'un léger crépitement ou flash se produise au niveau des ports de brûleur quelques secondes après que le brûleur soit éteint. Ce bruit d'extinction est normal dans le cas du gaz propane.*



Fig. 55

# UTILISATION DE LA PLAQUE CHAUFFANTE

La plaque chauffante est fabriquée en acier inoxydable, polie étincelante, pour fournir une surface de cuisson lisse. Il est normal qu'elle fonce à l'usage avec les huiles qui cuisent sur la surface pour fournir une base antiadhésive ou un « apprêtage ». Étant donné que la plaque chauffante est en acier inoxydable, elle ne rouillera pas. Toutefois, à l'usage, elle peut avoir des tâches de rouille ou une couleur de rouille. Le brûleur de la plaque chauffante est contrôlé par le brûleur à gaz sous la plaque chauffante et est commandé par cycles pour maintenir la température de consigne. L'ensemble de plaque chauffante ne doit pas être retiré pour le nettoyage et est maintenu en place par une vis avant et deux vis arrière. Celles-ci servent essentiellement à empêcher la plaque chauffante de se déplacer en cours de transport et ce, pour éviter de casser les composantes de l'allumage.

## THERMOCOUPLE

Le brûleur de la plaque chauffante est muni d'un thermocouple et d'un système de valve de sécurité qui contrôle le brûleur. Ceci coupera le gaz si le brûleur n'est pas allumé ou si le bouton n'est pas maintenu enfoncé. Le brûleur s'allumera en moins de 4 secondes après que le gaz ait atteint le brûleur.

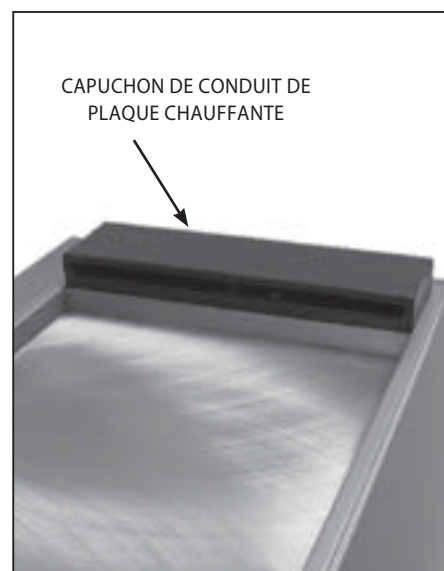


Fig. 56

## AVANT D'UTILISER LA PLAQUE CHAUFFANTE POUR LA PREMIÈRE FOIS OU POUR LA CONDITIONNER DE NOUVEAU

1. Nettoyez la plaque chauffante avec de l'eau savonneuse chaude afin d'éliminer toute couche de protection.
2. Rincez avec un mélange composé du 1/2 tasse d'eau et d'un quart de tasse de vinaigre blanc. Séchez soigneusement.
3. Versez 1 c. à t. d'huile végétale au centre de la plaque chauffante (évitiez l'huile de maïs car elle devient collante). Frottez l'huile sur toute la surface de la plaque chauffante à l'aide d'un gros chiffon doux.
4. Mettez le bouton de réglage à niveau moyen (175 °C/350 °F). Coupez le feu lorsque l'huile commence à dégager de la fumée. Laissez refroidir la plaque chauffante.
5. Répétez l'étape 3. Veillez à bien couvrir d'huile toute la surface.
6. Répétez l'étape 4. Laissez refroidir la plaque chauffante. Essuyez toute la surface de la plaque chauffante avec un gros chiffon doux. Appliquez une très mince couche d'huile végétale. Vous pouvez à présent utiliser la plaque chauffante. Si vous n'utilisez pas la plaque chauffante pendant une période prolongée, conditionnez-la de nouveau.

### REMARQUE :

*il est normal que la plaque chauffante noircisse à l'usage.*

## UTILISATION DE LA PLAQUE CHAUFFANTE

Avant de commencer à cuire sur la plaque chauffante, assurez-vous que le couvercle de conduit (Fig. 56), le godet à graisse et le récipient à graisse sont en place. Préchauffez la plaque chauffante pendant 15 minutes en mettant le bouton de réglage en position « HI ». Une fois la plaque chauffante préchauffée, mettez le bouton en position « MEDIUM » ou « LOW » en fonction de la température désirée. Placez les aliments sur la plaque chauffante et faites-les cuire jusqu'à obtention du degré de cuisson désiré.

### REMARQUE :

*Si la plaque chauffante a été conditionnée correctement, elle peut être utilisée sans aucune huile supplémentaire. Vous pouvez toutefois ajouter de l'huile pour donner plus de saveur. L'application d'une mince couche d'huile végétale sur la plaque chauffante froide avant la cuisson permet de tourner les aliments délicats plus facilement.*

## TABLEAU DE CUISSON DE LA PLAQUE CHAUFFANTE

ALIMENTS	TEMPÉRATURE*
Œufs	de 105 à 120 °C (de 225 à 250 °F)
Bacon, jambon, côtelettes de porc	de 150 à 165 °C (de 300 à 325 °F)
Saucisse, sandwiches au fromage fondant	de 165 à 175 °C (de 325 à 350 °F)
Crêpes, pain doré	de 175 à 190 °C (de 350 à 375 °F)
Pommes de terre rissolées	de 205 à 220 °C (de 400 à 425 °F)

\*Les températures de la plaque chauffante varieront en fonction de la circulation d'air et des températures ambiantes.

# UTILISATION DE LA PLAQUE CHAUFFANTE

## INSTRUCTIONS D'ALLUMAGE

Enfoncez et tournez le bouton de réglage de la plaque chauffante en position « HI ». Enfoncer le bouton de réglage activera le module d'allumage et produira des étincelles répétées à l'allumeur du brûleur. Maintenir le bouton de réglage enfoncé ouvre également la valve de sécurité intégrée utilisée pour cette section et démarre l'écoulement du gaz vers le brûleur. Une fois le brûleur allumé, continuez à maintenir le bouton de réglage enfoncé pendant 10 secondes ou jusqu'à ce que le brûleur reste allumé une fois le bouton de réglage relâché. Le bouton peut alors être tourné dans la position désirée.

## ALLUMAGE À L'ALLUMETTE

Insérez une allumette (SANS L'ALLUMER) dans le clip en bout de la tige d'extension d'allumette. Allumez l'allumette tenue au bout de la tige et tenez-la contre le bas du tube à éclair sur le côté gauche du capuchon de conduit (Fig. 57). Enfoncez, tournez et maintenez le bouton de réglage de la plaque chauffante en position « HI ». Une fois le brûleur allumé, continuez à maintenir le bouton de réglage enfoncé pendant 10 secondes ou jusqu'à ce que le brûleur reste allumé une fois le bouton de réglage relâché. Le bouton peut alors être tourné dans la position désirée. Si le brûleur ne s'allume pas au bout de 4 secondes, mettez le bouton en position « OFF ». Patientez 5 minutes avant d'essayer d'allumer le brûleur de nouveau, afin de laisser le temps au gaz accumulé de se dissiper.

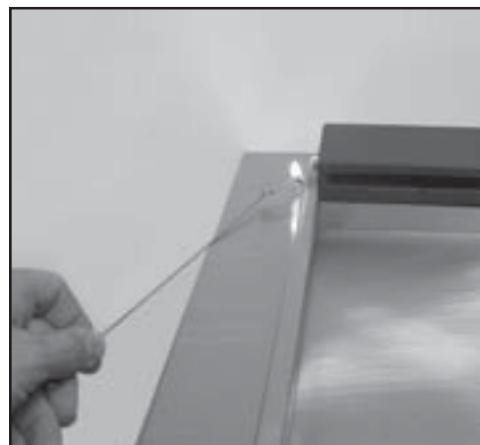


Fig. 57

# UTILISATION DE L'ÉVIER

L'évier est disponible pour fournir de l'eau à la Collection Liberty. Le robinet est en position « on » lorsque le levier est relevé (Fig. 58). Le robinet est en position « off » lorsqu'il est abaissé comme l'indique la Figure 59.



Fig. 58

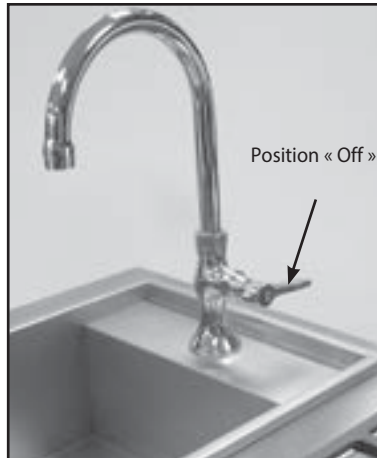


Fig. 59



## AVERTISSEMENT!

L'évier est prévu pour se laver les mains et nettoyer. Il ne faut pas utiliser l'évier pour de l'eau potable ou la préparation des aliments à moins que celui-ci n'ait été installé par un plombier homologué et conformément aux codes locaux.

# ENTRETIEN ET NETTOYAGE

## REPLACEMENT DE LA PILE :

1. Retirez le ramasse-gouttes.
2. Tirez la pile vers le bas (servez-vous d'une pince aubesoin).
3. Remettez-la en place vers le haut et poussez jusqu'à entendre un déclic, Fig. 60. (La polarité est indiquée à la Fig. 61.)

### Remarque :

*Vérifiez l'état de la pile au moins une fois par an.*

## REPLACEMENT DU RÉGULATEUR ET DU TUYAU

Vous devez utiliser le régulateur de pression et le tuyau fournis avec l'unité. Pour toute commande de pièce de rechange, contactez le Service à la clientèle au (888) 936-7872. N'utilisez pas l'appareil d'extérieur si vous sentez une odeur de gaz. S'il s'agit d'une unité à propane, vissez le régulateur dans la bouteille et vérifiez s'il y a des fuites au niveau des connexions du tuyau et du régulateur, à l'aide d'une solution d'eau savonneuse, avant de faire fonctionner l'appareil d'extérieur. Mettez tous les boutons sur « OFF », puis ouvrez le gaz. Pour le propane, vérifiez qu'il y a du gaz dans la bouteille.

- Éloignez toujours le visage et le corps le plus possible d'appareil d'extérieur lorsque vous allumez celui-ci.
- NE laissez PAS l'appareil d'extérieur sans surveillance pendant la cuisson.
- Conservez une bouteille d'eau savonneuse munie d'un vaporisateur près de la valve d'alimentation en gaz et vérifiez les connexions avant chaque utilisation.
- N'essayez pas d'allumer l'appareil d'extérieur si vous sentez une odeur de gaz.
- Attendez 5 minutes avant d'allumer de nouveau un appareil d'extérieur chaud.

## NETTOYAGE DES GRILLES DU GRIL :

La façon la plus facile de nettoyer le grill est de le faire juste après la cuisson, une fois le feu éteint. Portez un gant de barbecue pour vous protéger la main de la chaleur et de la vapeur. Trempez une brosse à poils fins en acier inoxydable dans de l'eau du robinet et frottez les grilles chaudes. Trempez la brosse fréquemment dans le bol d'eau. La vapeur produite au contact de l'eau avec le grill chaud facilite le nettoyage en ramollissant les particules d'aliments. Les particules tombent sur les tiges en céramique et brûlent ou atterrissent dans le ramasse-gouttes. Si vous laissez le grill refroidir avant le nettoyage, la tâche n'en sera que plus difficile. Après le nettoyage, appliquez une fine couche d'huile végétale pour protéger la grille de l'humidité et des taches de rouille.



## AVERTISSEMENT!

**Ne jetez pas la graisse dans un drain ou un évier. Mettez la graisse refroidie dans un récipient et jetez-le aux ordures.**

## RAMASSE-GOUTTES, RÉCIPIENT À GRAISSE, GODET À GRAISSE :

Le ramasse-gouttes pleine largeur à récipient à graisse recueille la graisse de l'appareil d'extérieur. Laissez-le et son contenu refroidir avant de le nettoyer. Le godet à graisse de la plaque chauffante se lave au lave-vaisselle.

### Pour retirer le récipient à graisse : (le cas échéant)

- Faites sortir le plateau en le tirant jusqu'à ce qu'il s'arrête.
- Continuez de sortir le plateau pour le nettoyer.

### Pour installer le récipient à graisse :

- Alignez le côté du récipient à graisse sur les guides (Fig. 62).
- Enfoncez le plateau jusqu'à ce qu'il s'arrête.
- Tirez le plateau en avant et faites-le entrer et sortir plusieurs fois pour enclencher les roulettes.

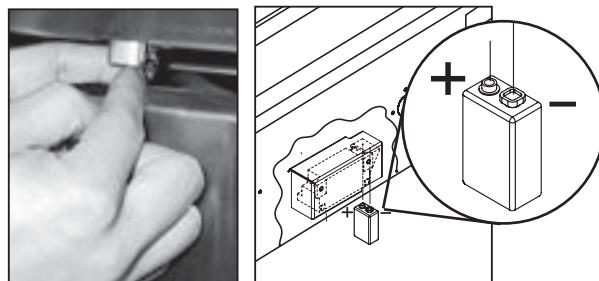


Fig. 60

Fig. 61

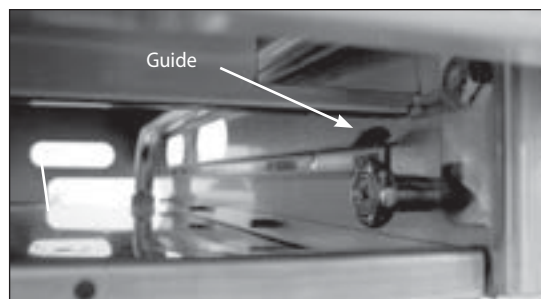


Fig. 62

# ENTRETIEN ET MAINTENANCE

Nettoyez tout débordement dans les plateaux aussi rapidement que possible pour éviter des taches d'aliments « incrustés ». La graisse de la plaque chauffante ou de l'appareil d'extérieur s'écoule par le tube de vidange (Fig. 63) dans le plateau et le revêtement en dessous. **Ne laissez pas la graisse s'accumuler dans le plateau car elle peut être un risque d'incendie.** Nettoyez le tube et le plateau dès qu'ils sont refroidis. Nettoyez à l'eau chaude savonneuse. Pour le tube, utilisez un goupillon savonneux. Assurez-vous que le récipient à graisse est en place lors du nettoyage du tube de vidange. Un nettoyant abrasif léger tel que Fantastik®, Simple Green® ou Formula 409® peut être utilisé. (N'utilisez pas de tampon en laine d'acier ou d'abrasif dur tel que : Comet® ou Ajax®.) Rincez et séchez toutes les pièces à fond.



Fig. 63



Fig. 64

## TIGES EN CÉRAMIQUE :

Il n'est pas nécessaire d'enlever les tiges en céramique pour le nettoyage. Elles s'auto-nettoient en brûlant pendant la cuisson suivante. Les plateaux qui soutiennent les tiges en céramique doivent périodiquement être retournés pour éliminer les débris qu'ils peuvent contenir. Il est nécessaire de nettoyer les plateaux dépend de votre fréquence d'utilisation du gril et de la quantité et du type de nourriture cuits. Si la graisse paraît sur le dessus des tubes ou si les flammes jaillissent souvent durant la cuisson, les tubes doivent être retournés et chauffés sur « SEAR » pendant 30 minutes, ou plus s'ils sont très sales.

## ACIER INOXYDABLE :

L'appareil d'extérieur est fait d'acier inoxydable. Après l'utilisation initiale, certaines parties d'appareil d'extérieur peuvent se décolorer à cause de la chaleur intense dégagée par les brûleurs. Ceci est normal. On trouve toute sorte de nettoyeurs pour acier inoxydable sur le marché. Employez toujours la méthode de nettoyage la plus douce au début, en frottant dans le sens du grain. Pour réparer des égratignures visibles à l'œil nu, frottez très légèrement avec du papier de verre 100, dans le sens du grain. Des taches de graisse peuvent s'accumuler et s'incruster sur les surfaces en acier inoxydable sous l'effet de la cuisson, ce qui peut ressembler à de la rouille. Pour les enlever, utilisez un tampon abrasif (tel que Scotch Brite)) conjointement avec un nettoyant pour acier inoxydable. Frottez toujours dans le sens du grain.

### Remarque :

*L'acier inoxydable a tendance à se corroder en présence de chlorures et de sulfures, spécialement dans les régions côtières. Pour prévenir les risques de corrosion, lavez toutes les surfaces en acier inoxydable toutes les 3 à 4 semaines à l'aide d'eau douce et d'un nettoyant pour acier inoxydable. Gardez l'appareil d'extérieur couvert quand il n'est pas utilisé.*

## BRÛLEUR DU GRIL :

Assurez-vous que l'alimentation en gaz est éteinte. Retirez les outdoor cooktopes de l'appareil, puis soulevez le plateau radiant du gril. Saisissez le brûleur, tirez-le vers le haut et légèrement vers l'arrière de l'appareil, de manière à ce que la tête du brûleur se dégage de l'orifice en laiton situé à l'avant; inclinez le brûleur latéralement et retirez-le.

## NETTOYAGE DU BRÛLEUR DU GRIL :

Nettoyez l'extérieur du brûleur à l'aide d'une brosse métallique en acier inoxydable. Éliminez le tartre coriace à l'aide d'un racloir métallique. Dégagez les ports bouchés avec une trombone déployée. N'utilisez jamais de cure-dent en bois car il pourrait se casser et bloquer le port. Secouez les débris à travers l'obturateur d'air. Inspectez l'entrée du brûleur à l'aide d'une lampe de poche pour vérifier qu'il n'est pas bloqué. Si des obstructions sont visibles, servez-vous d'un cintre métallique déployé au préalable (Fig. 65).

# ENTRETIEN ET MAINTENANCE

## NETTOYAGE DE L'ORIFICE :

Le brûleur étant retiré, enlevez l'orifice et inspectez l'ouverture avec une lampe de poche pour vous assurer qu'elle n'est pas bloquée. Dégagez les débris à l'aide d'une aiguille. Faites extrêmement attention de ne pas élargir le trou ou de casser l'aiguille. (Voir Fig. 65)

## Remarque :

Lorsque vous remplacez les brûleurs du grill ou les orifices après le nettoyage, assurez-vous que les orifices pénètrent bien dans le brûleur tel qu'indiqué à la figure 66.

## AVERTISSEMENT!

IL EST EXTRÊMEMENT IMPORTANT DE CENTRER CORRECTEMENT LE BRÛLEUR SUR L'ORIFICE AFIN D'ÉVITER TOUT RISQUE D'INCENDIE OU D'EXPLOSION (FIG. 66).

Faites très attention de ne pas déranger la position initiale de l'obturateur d'air (sauf en cas de réajustement). Abaissez l'arrière du brûleur dans les découpes, sur le canal de support, à l'arrière de la boîte du brûleur. Assurez-vous qu'il est de niveau et ne balance pas. Allumez tous les brûleurs et vérifiez que leur flamme est correcte. Si des réglages sont nécessaires, reportez-vous à la page 23. Effectuez cela avant d'utiliser l'appareil.

Le brûleur latéral vous offrira des années de service parfait s'il est entretenu correctement. Les supports de brûleurs sont fabriqués en acier inoxydable de haute qualité. Le brûleur est en fonte et laiton à haute résistance. Le venturi est en laiton.

## GRILLE DU BRÛLEUR LATÉRAL

La grille du brûleur latéral est faite d'émail de porcelaine sur fonte très durable. Pour éviter de vous brûler, ne la nettoyez pas quand elle est chaude. Vous pouvez la nettoyer à l'eau savonneuse chaude, la rincer puis l'essuyer jusqu'à bien la sécher. Ne plongez jamais une grille chaude dans de l'eau. À cause des changements de température rapides, la porcelaine pourrait éclater en morceaux des bords de la grille. Ne vous inquiétez pas car le métal de base, en fonte, devient foncé en peu de temps et se fond à l'émail de porcelaine. Essuyez avec précaution les endroits où l'émail a éclaté de crainte que les bords ne soient tranchants. Faites attention si vous devez retirer les grilles pour le nettoyage, car elles sont très lourdes. Prenez soin de les placer sur une surface protégée.

## BRÛLEURS

Pour assurer un bon allumage et une bonne performance des brûleurs, gardez-les dans un état propre. Vous devez nettoyer les brûleurs s'ils ne s'allument pas même si l'allumeur clique, après chaque débordement important ou si la flamme ne devient pas bleue.

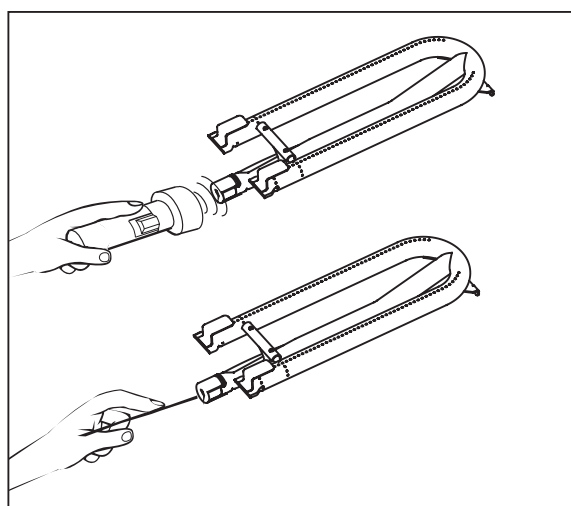


Fig. 65

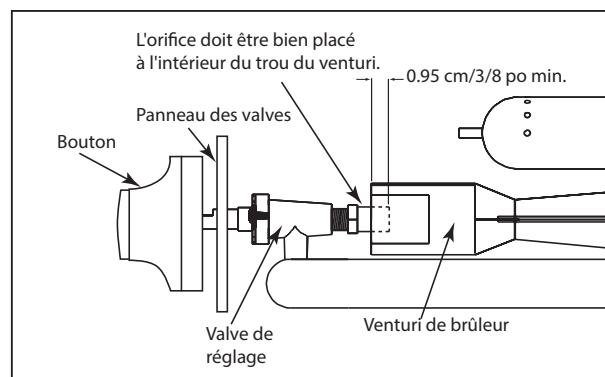


Fig. 66

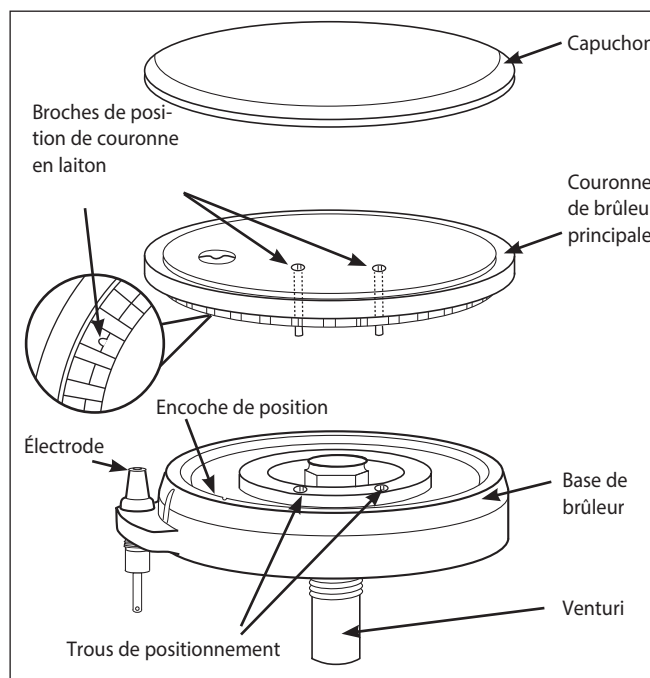


Fig. 67



# ENTRETIEN ET MAINTENANCE

Assurez-vous que tous les boutons des brûleurs sont en position « OFF » avant d'essayer de nettoyer les brûleurs. Les brûleurs ont été conçus pour être faciles à nettoyer. Une fois la grille et les brûleurs refroidis, retirez la grille. Le capuchon de brûleur et la couronne en laiton peuvent être facilement enlevés. Lavez ces pièces dans de l'eau savonneuse chaude, rincez et séchez soigneusement. Les capuchons de brûleur sont en émail de porcelaine; suivez les directions indiquées ci-dessus pour les grilles de brûleurs. Utilisez au besoin une brosse en soies pour nettoyer les ports dentés des brûleurs. Après le nettoyage, il est important de vous assurer que les broches de position au bas de la couronne sont correctement alignées avec les trous correspondants de la base. Un mauvais alignement produira une flamme potentiellement dangereuse et entraînera un mauvais fonctionnement du brûleur (voir Fig. 67).

## ÉLECTRODES DE BRÛLEURS LATÉRAUX

Essuyez à l'aide d'un coton-tige imbibé d'eau. Faites attention de ne pas endommager l'allumeur (voir Fig. 68).

## PLAQUE CHAUFFANTE

La plaque chauffante foncera lorsqu'elle est utilisée. Ceci est normal et nécessaire pour une cuisson adéquate antiadhésive, et ne nécessite pas de nettoyage. Toutefois, la plaque chauffante doit être nettoyée à fond pour éliminer la graisse et les particules alimentaires pendant qu'elle est encore chaude en faisant attention de ne pas la rayer, à l'aide d'une spatule non métallique ou d'une brosse en laiton. Une fois la plaque chauffante tiède, frottez sa surface légèrement avec de l'huile végétale (évitiez l'huile de maïs car elle devient collante). Essuyez soigneusement la plaque chauffante à l'aide d'une toile ou d'un linge épais et rugueux pour nettoyer les restes de résidus et de particules. En cas d'accumulation de graisse, utilisez une c. à s. de vinaigre dans une demi-tasse d'eau; nettoyez avec un linge à récurer tel que Chore BoyMD. En cas de coloration sous l'effet de la chaleur, utilisez un nettoyant pour acier inoxydable tel que Revere WareMD. Lavez dans de l'eau savonneuse chaude, rincez puis séchez. Si des salissures ou résidus d'aliments sont cuits sur la plaque chauffante, utilisez une pierre ponce fine ou un produit de dégraissage (tous deux disponibles chez les fournisseurs en restauration) en respectant le mode d'emploi du fabricant. Lavez dans de l'eau savonneuse chaude, rincez puis séchez. Si vous nettoyez la plaque chauffante avec de l'eau savonneuse chaude, du vinaigre ou de la poudre à récurer, vous devez la conditionner de nouveau. Suivez les instructions de la page 31 concernant le conditionnement de la plaque chauffante.

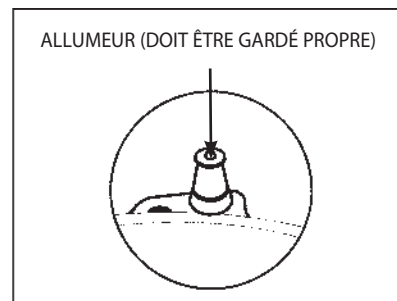


Fig. 68

**N'ASPERGEZ JAMAIS UNE PLAQUE CHAUFFANTE CHAUDE AVEC DE L'EAU FROIDE. Et ce, pour ne pas fissurer ou déformer la plaque chauffante et/ou créer une vapeur chaude susceptible de vous brûler.**

## BOUTONS DE RÉGLAGE

Ils sont faits en métal moulé avec des prises en plastique et peuvent être nettoyés dans de l'eau chaude savonneuse. Pour retirer les boutons du panneau de contrôle, saisissez-les et dans le sens opposé de l'appareil. Lavez-les sans les laisser tremper. Rincez et séchez soigneusement.

## ÉVIER

Pour nettoyer de l'acier inoxydable, utilisez toujours le côté doux de l'éponge. Si vous avez besoin d'utiliser un nettoyant, utilisez un nettoyant ou vaporisateur pour acier inoxydable. Éliminez les taches d'eau dure avec un produit tel que Lime-A-Way. Lisez toujours les directions pour appliquer n'importe quel nettoyant. Pour facilement nettoyer l'évier, utilisez un dégraissant tel que Dawn Liquid Soap qui éliminera tout résidu de graisse. Il existe de nombreux nettoyants ou agents de polissage pour acier inoxydable sur le marché. N'oubliez pas d'utiliser le côté doux de l'éponge. Retirez et nettoyez la bonde après avoir utilisé l'évier. Placez le couvercle sur l'évier après nettoyage.

# DÉPANNAGE – APPAREIL D'EXTÉRIEUR

## AVANT D'APPELER LE SERVICE TECHNIQUE :

Si l'appareil d'extérieur ne fonctionne pas correctement, utilisez cette liste de contrôle avant de contacter votre distributeur. Vous pourriez ainsi vous épargner le coût d'une demande de service. Le dépannage couvre les problèmes d'ordre général seulement. Si le problème persiste et que vous avez besoin d'assistance, contactez votre distributeur ou le centre de service agréé le plus proche. Seuls les centres de service agréés peuvent entreprendre un service sous garantie. **Appelez le centre de service à la clientèle DCS au (888) 936-7872.**

PROBLÈME	SOLUTION
L'appareil d'extérieur ne s'allumera pas lorsque le bouton de réglage est enfoncé.	<p>La provision de gaz est-il allumée?</p> <p>Assurez-vous que l'appareil d'extérieur est froid. Retirez les outdoor cooktops supérieures d'appareil d'extérieur et les plateaux radiants en céramique, puis observez l'embout de l'électrode. Vous devriez voir une étincelle jaillir de l'embout de l'électrode lorsque vous appuyez sur le bouton d'allumage.</p> <p>S'il n'y a pas d'étincelle, vérifiez l'état de la pile. Vérifiez l'état de la pile au moins une fois par an.</p> <p>Essayez d'allumer le brûleur avec une allumette (voir pages 28 &amp; 32); vérifiez si les autres brûleurs de l'unité fonctionnent. Nettoyez tout débris de l'embout de l'électrode.</p> <p>Circulation de l'air. Coupe-vent requis.</p>
La flamme du brûleur est jaune ou orange, et il y a une odeur de gaz.	<p>Vérifiez si l'entrée du brûleur est obstruée (par des toiles d'araignées par exemple). Vérifiez si l'obturateur d'air est bien ajusté.</p> <p>L'appareil d'extérieur se trouve peut-être dans un lieu poussiéreux. Déplacez-le, si possible, dans un endroit moins poussiéreux.</p>
Chaleur faible avec le bouton en position « HI » ou « SEAR »	<p>Si seul l'un des brûleurs est faible, nettoyez l'orifice et le brûleur, et débouchez les ports de toute obstruction (voir à la page 36).</p> <p>L'appareil d'extérieur se trouve peut-être dans un lieu poussiéreux. Déplacez-le, si possible, dans un endroit moins poussiéreux.</p> <p>Vérifiez que l'alimentation et la pression de gaz sont bonnes.</p> <p>Préchauffez l'appareil d'extérieur pendant un bon 15 minutes.</p> <p>Si vous utilisez du propane, vérifiez si la bouteille est vide.</p> <p>Vérification périodique Mettez tous les boutons en position « OFF », coupez l'alimentation en gaz. Patientez 5 minutes. Assurez-vous que tous les boutons sont en position « OFF ». Puis, ouvrez l'alimentation en gaz et patientez 30 secondes. Essayez ensuite d'allumer les brûleurs.</p> <p>Le vent écarte la chaleur des aliments.</p>

# DÉPANNAGE – BRÛLEUR LATÉRAL

PROBLÈME	SOLUTION
Le brûleur ne s'allume pas lorsqu'on enfonce le bouton d'allumage.	<p>Retirez la grille du brûleur. Enfoncez le bouton de réglage étant sur « OFF », écoutez l'électrode tout en enfonceant le bouton d'allumage. Vous devriez entendre une étincelle jaillir à l'intérieur du capuchon de l'électrode. Quand cela se produit, l'étincelle fait comme un son de tic-tac.</p> <p>S'il n'y a pas d'étincelle..... La pile pourrait être à plat.</p> <p>Ou l'espace entre l'extrémité de l'électrode et un contact métallique est trop grand (l'espace doit être de 3,2°mm [1/8 po]) ou sale.</p> <p>S'il y a une étincelle... vérifiez l'alimentation en gaz et purgez l'air qui pourrait se trouver dans la conduite. Voir page 21.</p> <p>L'autre brûleur (dans le cas d'un brûleur double) fonctionne-t-il? Vérifiez si l'orifice ou le venturi est bouché.</p>
La flamme du brûleur est jaune ou orange, et il y a une odeur de gaz.	<p>Vérifiez si le brûleur est obstrué ou sale. Voir page 36.</p> <p>Vérifiez que l'alimentation et le type de gaz sont corrects.</p> <p>L'appareil se trouve-t-il dans un lieu poussiéreux? Déplacez-le, si possible, dans un endroit moins poussiéreux.</p>
Chaleur faible avec bouton en position « HI ».	<p>Le tuyau de carburant est-il plié ou tordu?</p> <p>L'alimentation en gaz est-elle suffisante? Si un seul brûleur (du brûleur double) semble faible, faut-il le nettoyer?</p> <p>Si vous utilisez du propane, vérifiez si la bouteille est vide ou si son niveau est bas.</p> <p>Circulation de l'air. Coupe-vent requis.</p>

# SERVICE

## POUR L'OBTENTION DU SERVICE DE GARANTIE :

Pour le service sous garantie, contactez votre distributeur ou le Centre de service à la clientèle DCS au (888) 936-7872. Avant d'appeler, veuillez avoir les informations suivantes à portée de main :

- Numéro de modèle (peut se trouver sur le panneau latéral intérieur droit, derrière la poignée du ramasse-gouttes. Voir page 8.)
- Numéro de série (peut se trouver sur le panneau latéral intérieur droit, derrière la poignée du ramasse-gouttes. Voir page 8.)
- Code (peut se trouver sur le panneau latéral intérieur droit, derrière la poignée du ramasse-gouttes. Voir page 8.)
- Date d'installation
- Brève description du problème

Votre satisfaction revêt la plus grande importance pour nous. Si un problème n'est pas résolu à votre entière satisfaction, veuillez communiquer avec nous par courrier.

Écrivez-nous à l'adresse suivante :

Fisher & Paykel Appliances Inc.  
Attention: DCS Customer Care  
695 Town Center Drive, Suite 180  
Costa Mesa, CA 92626-1902 USA  
email: [customer.care@fisherpaykel.com](mailto:customer.care@fisherpaykel.com)

# GARANTIE

## GARANTIE LIMITÉE

Lorsque vous faites l'achat d'un DCS Grill by Fisher & Paykel neuf, vous recevez automatiquement une Garantie limitée d'un an couvrant les pièces et la main d'œuvre pour tout le produit, et une Garantie extensive de cinq ans couvrant les plateaux radiants du gril, les couvercles du radiant et le ramasse-gouttes pour entretien dans les 48 États continentaux, Hawaï, Washington D.C. et le Canada. En cas de détérioration structurelle au point de non performance, un remplacement sera fourni. Garantie à vie (la main d'œuvre n'y pas comprise) sur les brûleurs, le couvercle du gril, la boîte du brûleur, les grilles de la cuisson et du gril en acier inoxydable (à l'exclusion de la décoloration ou de la corrosion en surface). Le term "à vie" est défini en tant que service domestique normal d'utiliser pour la vie de l'acheteur original. La garantie limitée est la même en Alaska sauf que vous devez payer les frais d'expédition du produit à un centre de service ou les frais de déplacement d'un technicien dans le cas d'une visite à domicile. Les produits destinés à une utilisation au Canada doivent être achetés auprès d'un distributeur canadien afin de respecter la réglementation en vigueur. Cette garantie cette pas corrosion de surface de couverture et la décoloration.

## FISHER & PAYKEL S'ENGAGE À :

Entreprendre à ses frais (pièces et main-d'œuvre mais seulement avec la garantie limitée d'un an) toutes réparations du produit (sur lequel figure le numéro de série) jugé défectueux. En Alaska, vous devez payer les frais d'expédition du produit à un centre de service ou les frais de déplacement d'un technicien dans le cas d'une visite à domicile. Si nous sommes dans l'incapacité de réparer une pièce défectueuse du produit après un nombre raisonnable de tentatives, nous pourrons, à notre choix, remplacer la pièce ou le produit, ou vous rembourser entièrement le prix d'achat du produit (à l'exclusion des frais d'installation ou autres frais.)

Tout service couvert par cette garantie limitée sera assuré par Fisher & Paykel Appliances Inc. ou son agent de service DCS agréé durant les heures d'ouverture normales.

## QUELLE EST LA DURÉE DE LA GARANTIE LIMITÉE?

Notre responsabilité en vertu de la garantie limitée concernant l'intégralité du produit expire UN AN à partir de la date d'achat du produit par le premier acheteur. Notre responsabilité en vertu de la garantie limitée concernant les plateaux radiants du gril, les couvercles du radiant et les ramasse-gouttes expire CINQ ANS à partir de la date d'achat du produit par le premier acheteur.

Notre responsabilité en vertu de la garantie limitée (la main d'œuvre n'y pas compris) concernant les brûleurs, le couvercle du gril, la boîte du brûleur, les grilles de la cuisson et du gril en acier inoxydable ((à l'exclusion de la décoloration ou de la corrosion en surface) est une garantie à vie. Le term "à vie" est défini en tant que service domestique normal d'utiliser pour la vie de l'acheteur original.

Notre responsabilité en vertu de toute garantie implicite, y compris la garantie implicite de qualité marchande (la garantie tacite selon laquelle le produit est approprié pour un usage normal) expire également UN AN (ou une période plus longue si requis par la loi) à partir de la date d'achat du produit par le premier acheteur. Certaines juridictions ne permettent pas la limitation de la garantie implicite, il est donc possible que la limitation ci-dessus sur les garanties implicites ne s'applique pas à vous.

## NE SONT PAS COUVERTS PAR LA GARANTIE :

- A. Les appels de service n'ayant aucun rapport avec un défaut éventuel du produit. Le coût de l'appel de service sera facturé s'il se trouve que le problème n'est pas dû à un défaut du produit. Par exemple :
1. Corriger une mauvaise installation du produit.
  2. Montrer comment utiliser le produit.
  3. Remplacer des fusibles à domicile, réarmer les disjoncteurs, réparer les fils électriques ou la plomberie du domicile, ou remplacer des ampoules.
  4. Corriger des anomalies causées par l'utilisateur.
  5. Changer la configuration du produit.
  6. Modifications non autorisées du produit.
  7. Bruits ou vibrations considérés comme normaux, par exemple les bruits de drain ou de ventilateur, les bruits de régénération (vibrations, sifflements) ou les signaux d'avertissement à l'intention de l'utilisateur.
  8. Corriger des dommages causés par des animaux nuisibles, par exemple des rats, des coquerelles, etc.

# GARANTIE (suite)

- B. Défauts causés par des facteurs autres que :
  - 1. Utilisation domestique normale ou
  - 2. Utilisation conformément aux indications du guide d'utilisation et d'entretien du produit.
- C. Défauts du produit pour cause d'accident, négligence, mauvaise utilisation, incendie, inondation ou calamité naturelle.
- D. Les coûts des réparations effectuées par des techniciens non autorisés ou le coût de correction de ces réparations non autorisées.
- E. Les frais de voyage et les frais connexes encourus lorsque le produit est installé dans un lieu à accès illimité ou restreint (déplacement par avion ou par bateau, régions géographiques isolées, etc.).
- F. Entretien normal recommandé par le guide d'utilisation et d'entretien du produit.

Contactez votre distributeur ou votre installateur en cas de problème d'installation. Il vous incombe d'assurer une installation électrique, une ventilation et toute autre connexion appropriées. Nous ne sommes pas responsables des dommages indirects ou accessoires (coût de réparation ou de remplacement d'autres biens endommagés parce que le produit était défectueux ou tout autre coût que vous auriez encouru parce que le produit était défectueux). Certaines juridictions interdisent l'exclusion ou la restriction de la responsabilité des dommages indirects ou accessoires; l'exclusion ou la restriction indiquée ci-dessus peut donc ne pas s'appliquer à votre cas particulier.

## POUR OBTENIR DES RÉPARATIONS

Veillez consulter le guide d'utilisation et d'entretien. Si vous avez des questions concernant l'utilisation du produit, que vous cherchez le nom de l'agent de service DCS agréé local ou que pensez que le produit est défectueux et désirez le faire réparer dans le cadre de cette garantie limitée, veuillez contacter votre distributeur ou nous appeler au numéro suivant :

(NUMÉRO SANS FRAIS) 1-888-281 5698 ou contactez-nous par l'intermédiaire de notre site Web : [www.dcsappliances.com](http://www.dcsappliances.com).

Vous devrez peut-être présenter une preuve raisonnable de la date d'achat du produit avant de pouvoir bénéficier d'une réparation dans le cadre de cette garantie limitée.

## UTILISATION COMMERCIALE

Cette garantie s'applique à des appareils électroménagers utilisés à domicile; elle ne couvre pas les cas d'utilisation commerciale.

## AUCUNE AUTRE GARANTIE

Cette garantie limitée constitue l'accord entier et exclusif entre vous et Fisher & Paykel Appliances Inc. en ce qui concerne tout défaut du produit. Aucun de nos employés (ou agents de service agréés) n'est autorisé à apporter des ajouts ou des modifications à cette garantie limitée.

Garant : Fisher & Paykel Appliances, Inc.

Si vous avez besoin d'aide au sujet de cette garantie limitée, veuillez nous appeler au numéro ci-dessus ou nous écrire à l'adresse suivante :

Fisher & Paykel Appliances Inc.  
Attention: DCS Customer Care  
695 Town Center Drive, Suite 180  
Costa Mesa, CA 92626-1902 USA  
email: [customer.care@fisherpaykel.com](mailto:customer.care@fisherpaykel.com)

Cette garantie limitée vous donne des droits juridiques spécifiques et vous pouvez bénéficier d'autres droits qui varient d'une juridiction à l'autre.

Fisher & Paykel Appliances inc. est un fabricant de pointe d'appareils de cuisson et d'appareils spécialisés, sous les marques Fisher & Paykel et DCS.

# REMARQUE

[www.dcsappliances.com](http://www.dcsappliances.com)



Copyright © Fisher & Paykel 2014. All rights reserved.

The product specifications in this booklet apply to the specific products and models described at the date of issue. Under our policy of continuous product improvement, these specifications may change at any time. You should therefore check with your Dealer to ensure this booklet correctly describes the product currently available.