

DO



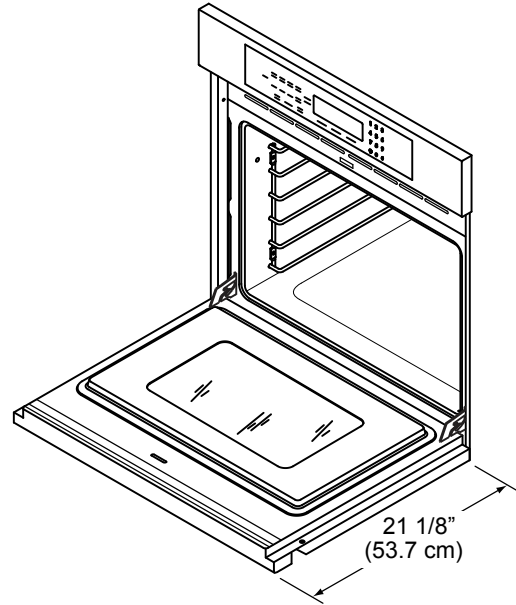
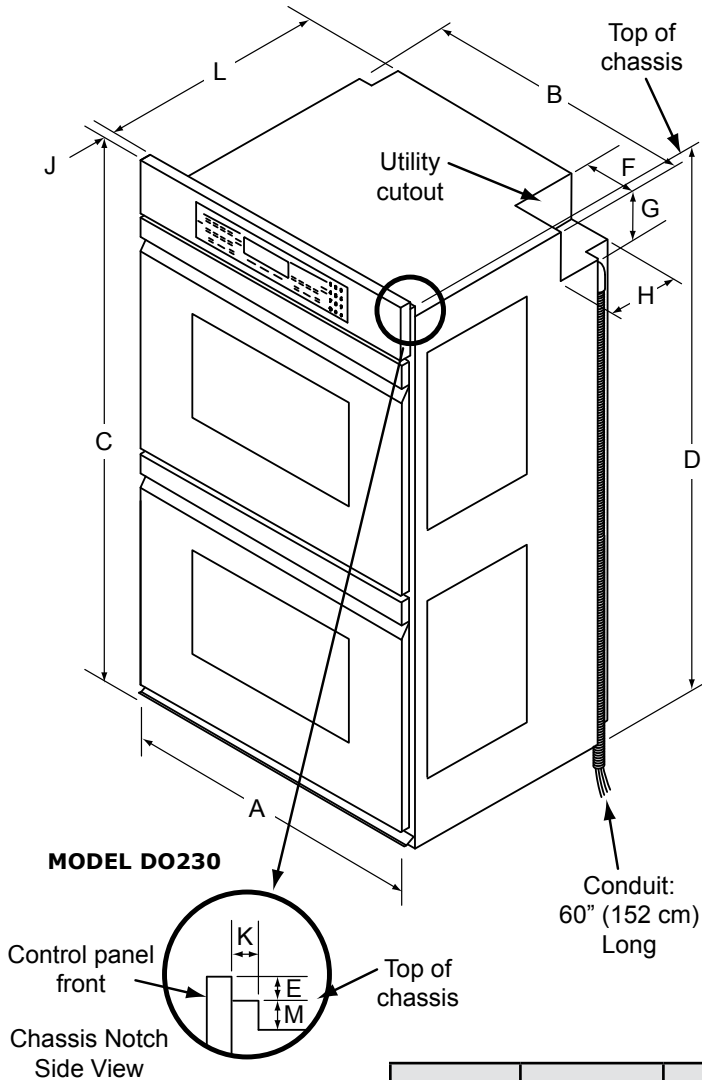
Double, Distinctive Wall Oven

PLANNING GUIDE

Product tolerances: $\pm 1/16"$ (± 1.6 mm) unless otherwise stated

⚠ WARNING

- Observe all governing codes and ordinances during planning and installation. Contact your local building department for further information.
- This appliance must be installed in accordance with the accompanying installation instructions.



(A) Overall Width	(B) Chassis Width	(C) Overall Height	(D)* Chassis Height	(E) Control Panel Overlay
29 3/4" (75.6 cm)	28 3/8" (72.1 cm)	49 15/16" (126.8 cm)	49 1/16" (124.6 cm)	15/16" (2.4 cm)

* To top of chassis notch behind control panel

(F) Utility Cutout Width	(G) Utility Cutout Height	(H) Utility Cutout Depth	(J) Control Panel Depth	(K) Notch Depth	(L) Chassis Depth	(M) Notch Height
5" (12.7 cm)	5 1/4" (13.3 cm)	6" (15.2 cm)	1" (2.5 cm)	1 5/8" (4.1 cm)	24" (61.0 cm)	1" (2.5 cm)

ELECTRICAL SPECIFICATIONS	
Dedicated Circuit Requirements	Total Connected Load
240 Vac 60 Hz., 4-wire,** 40 Amp.	7.8 kW (33 Amp.)

** Two 120 Vac hot (L1 and L2), one neutral, one ground.

The above specifications are for reference only. See the appliance data plate for exact specifications.



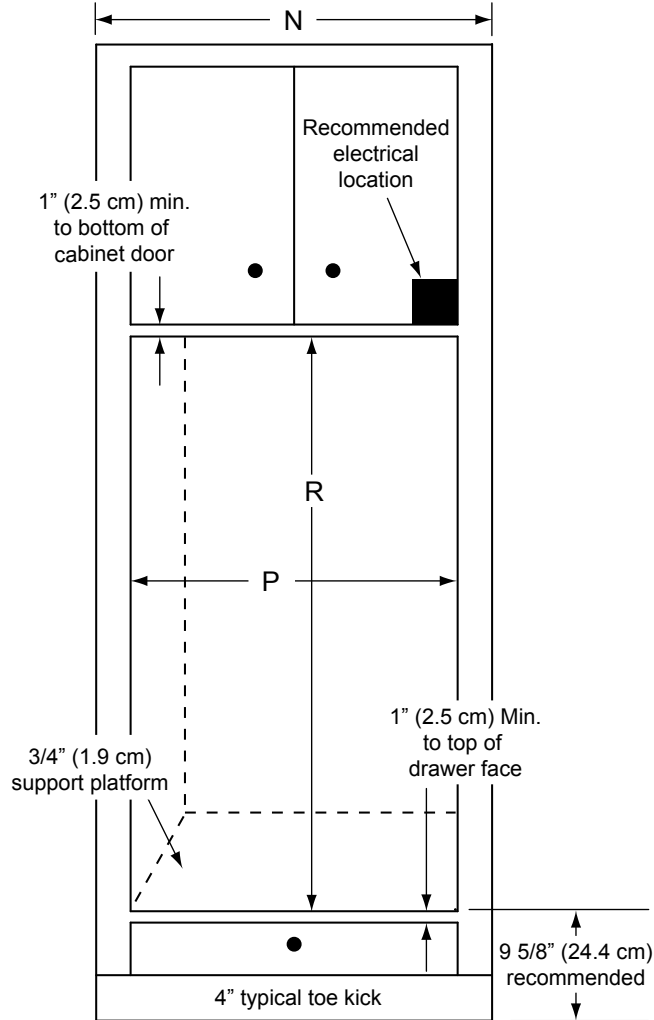
DO



Double, Distinctive Wall Oven

PLANNING GUIDE

Cabinet/countertop tolerances: +1/16", -0, (+1.6 mm, -0) unless otherwise stated



DOUBLE WALL OVEN - CUTOUT DIMENSIONS

(N) Minimum Cabinet Width	(P) Minimum Cut Out Width	(R) Minimum Cutout Height
30" (76.2 cm)	28 1/2" (72.4 cm)	49 1/8" (124.8 cm)

Minimum Interior Cabinet Depth: 24" (61.0 cm)