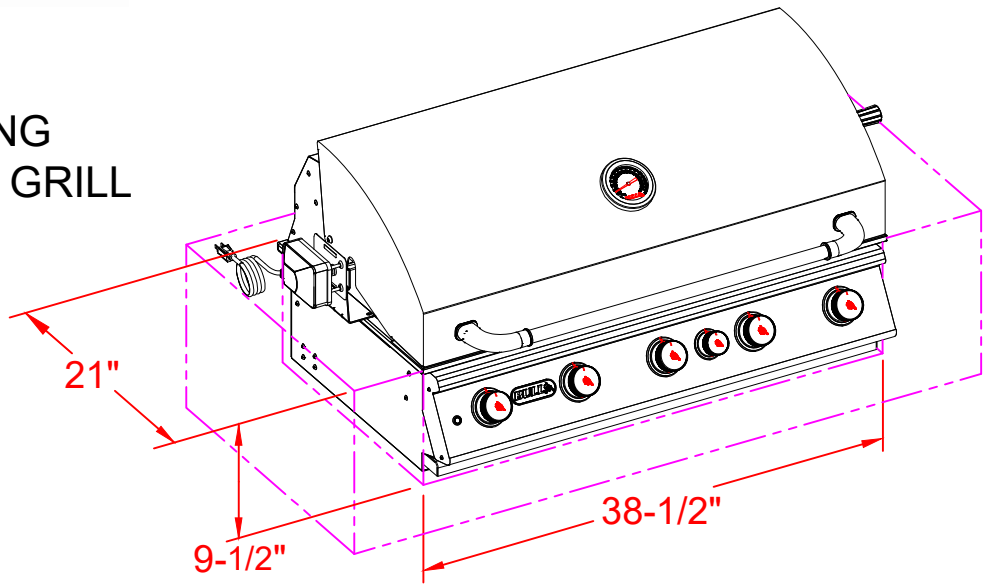
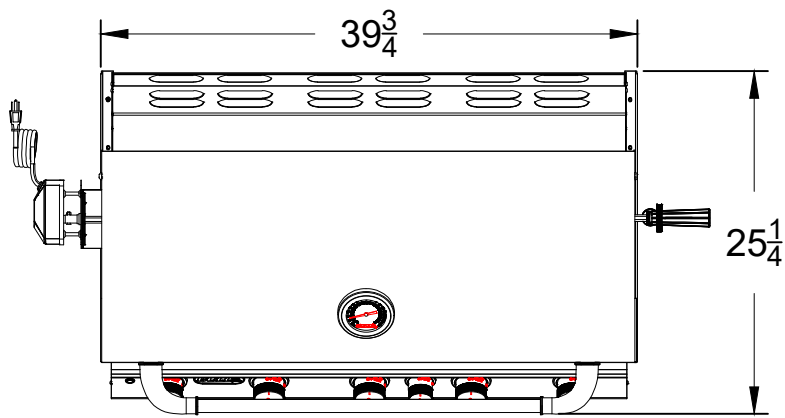


WWW.BULLBBQ.COM

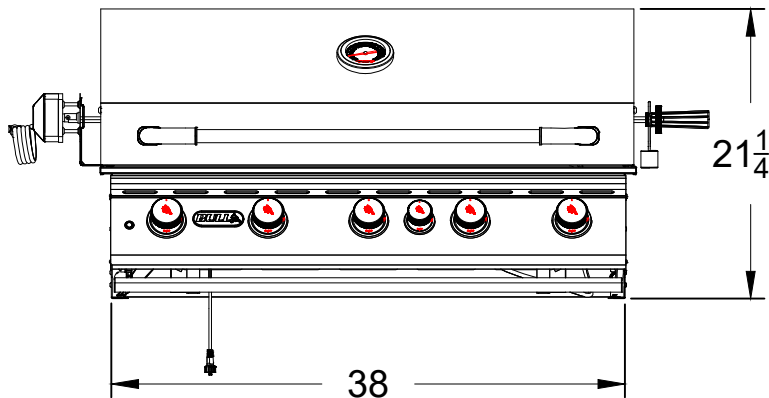
SPEC SHEET OUTLINE
ITEM# 57568 LP & 57569 NG
DESCRIPTION - BRAHMA GRILL



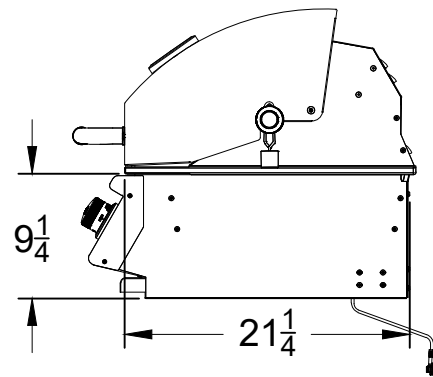
PERSPECTIVE VIEW
WITH INSTALLATION
CUT OUT DIMENSIONS



TOP VIEW



FRONT VIEW



RIGHT SIDE VIEW

NOTES:

- 1) ALL DIMENSIONS ARE IN INCH UNITS
- 2) REFER TO PERSPECTIVE VIEW FOR INSTALLATION CUTOUT DIMENSIONS.