

# Plymouth Collection

27" Dualmount Granite Composite Kitchen Sink



# Nantucket

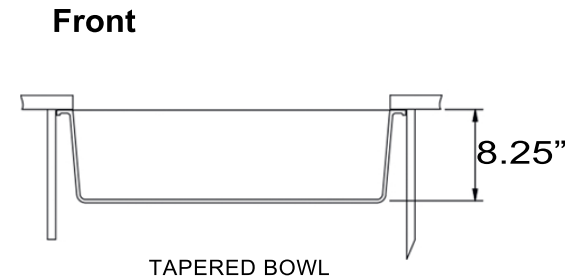
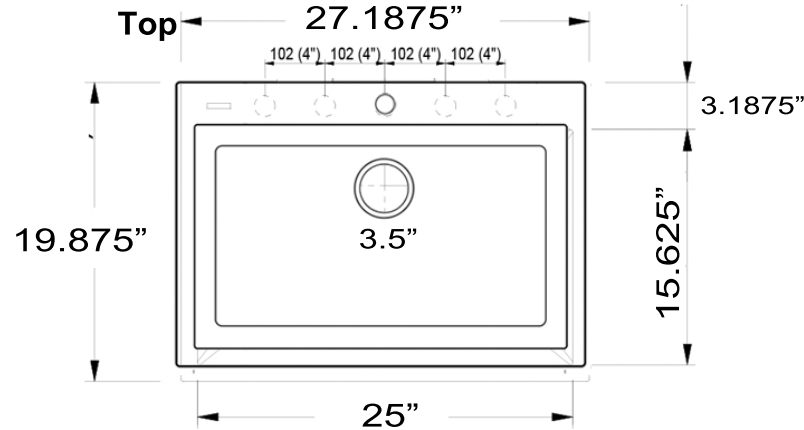
S I N K S

model:

## PR2720-DM-W

www.NantucketSinksUSA.com

info@nantucketsinksusa.com



OVERALL DIMENSIONS	INTERIOR BOWL	INTERIOR DEPTH	EXTERIOR HEIGHT	DRAIN DIMENSIONS
27.1875" x 19.875" TOP EDGE	25" x 15.625"	7.875"	8.25"	3.5"

### FEATURES:

- Premium granite composite kitchen sink
- 80% Stone Content
- Scratch resistant/Heat resistant to over 560°degrees Fahrenheit
- Limited manufacturer's warranty
- Made in Italy
- Material is sound absorbing and stain-resistant
- Without overflow
- 1 faucet hole -4 additional pre-scored holes (underside of deck)
- Template included
- Drain is not included with sink

Project Name: \_\_\_\_\_

Architect / Contractor: \_\_\_\_\_

Job Notes: \_\_\_\_\_

\_\_\_\_\_

\_\_\_\_\_