

# Great Point Collection

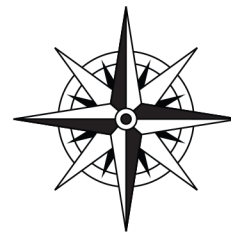
Premium Ceramic Vitreous China Sink  
With Overflow

model:

**DI-2317-R1**



**ADA**  
Americans with  
Disabilities Act



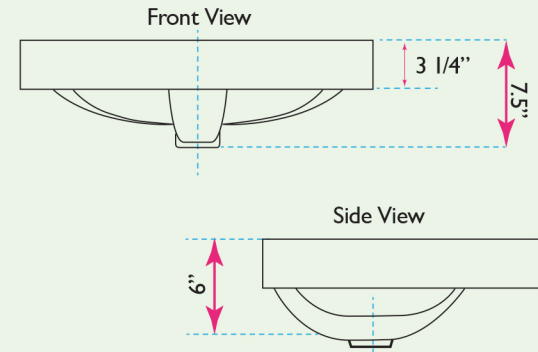
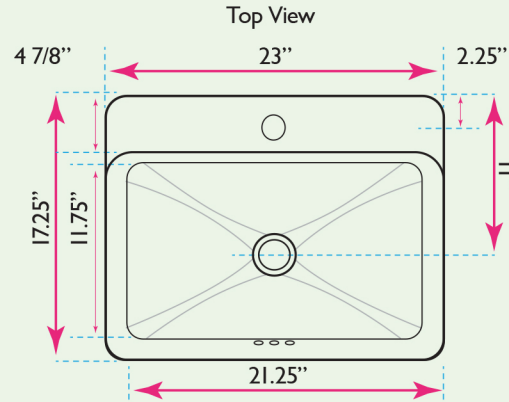
# Nantucket

S I N K S

www.NantucketSinksUSA.com  
info@nantucketsinksusa.com



SPECS



OVERALL DIMENSIONS	INTERIOR DIMENSIONS	EXTERIOR HEIGHT	INTERIOR DEPTH	DRAIN DIMENSION
23" x 17.25"	21.25" x 11.75"	7.5"	6"	1.75" Standard

## FEATURES:

- Vitreous China, self rimming top mount sink
- ADA compliant when installed according to guidelines
- Glazed Enamel Finish
- Limited Manufacturer's Warranty
- 1.75" Drain Opening
- Nominal Dimensions, actual may vary by up to .25"
- 1 Faucet Hole (1.375" Diameter)
- cUPC Certified
- ASME: A112.19.2

Project Name: \_\_\_\_\_

Architect / Contractor: \_\_\_\_\_

Job Notes: \_\_\_\_\_

\_\_\_\_\_

\_\_\_\_\_