

# DECT304, DECT365

Document # PG03-003

Revised 02/13/12 Page 1/2



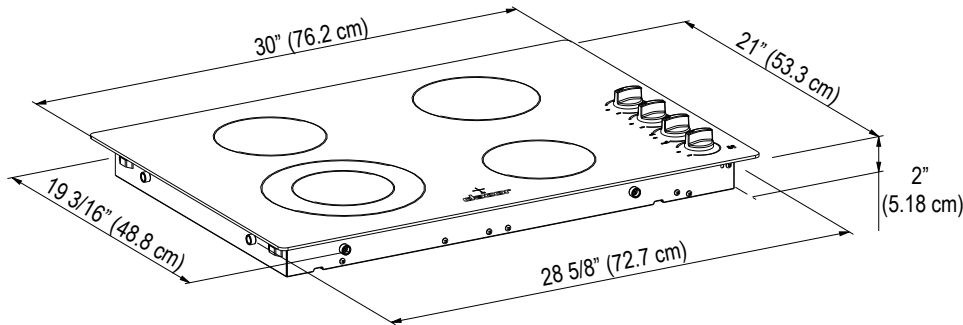
## Distinctive™ 30" and 36" Wide, Electric Cooktops

## PLANNING GUIDE

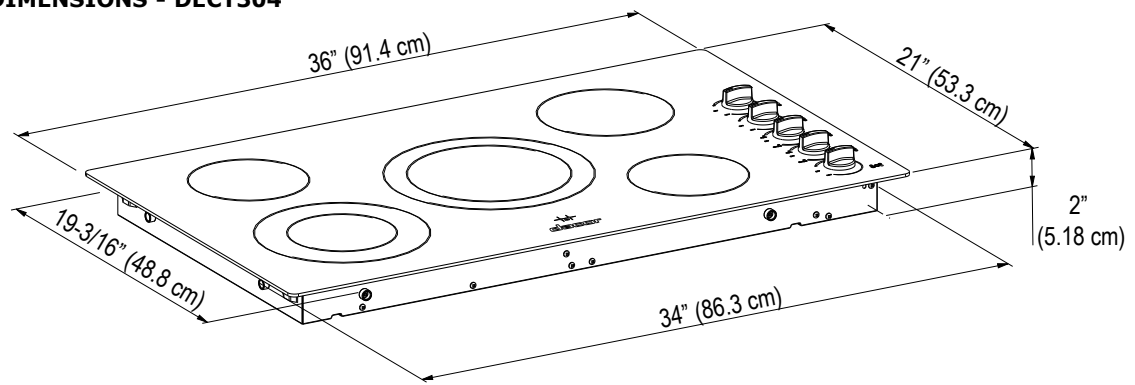
Product tolerances:  $\pm 1/16"$  ( $\pm 1.6$  mm) unless otherwise noted

### WARNING

- Observe all governing codes and ordinances during planning and installation. Contact your local building department for further information.
- This appliance must be installed in accordance with the accompanying installation instructions.



**PRODUCT DIMENSIONS - DECT304**



**PRODUCT DIMENSIONS - DECT365**

**IMPORTANT:** DECT series cooktops are not approved for installation with a raised vent.

Model No.	Electrical Circuit Required	Total Connected Load*	Minimum Supply Wire Size Line and Ground Connections
DECT304	240 Vac, 60 Hz, 30 Amps.	6.7 kW (28 Amps.)	No. 10 AWG
DECT365	240 Vac, 60 Hz, 40 Amps.	9.4 kW (39 Amps.)	No. 8 AWG

\* For reference only. See the product data label on bottom of unit for exact specifications.

### ELECTRICAL SUPPLY REQUIREMENTS



#### NOTES:

1. The cooktop is supplied with a flexible, 48 inch long power conduit consisting of two (2) insulated hot lead conductors (L1 and L2) and one (1) insulated ground conductor. There is no neutral connection. All leads are copper. The conduit is connected to the right rear corner of the cooktop. Do not cut or lengthen the conduit.
2. These cooktops are not approved for recessed installation.

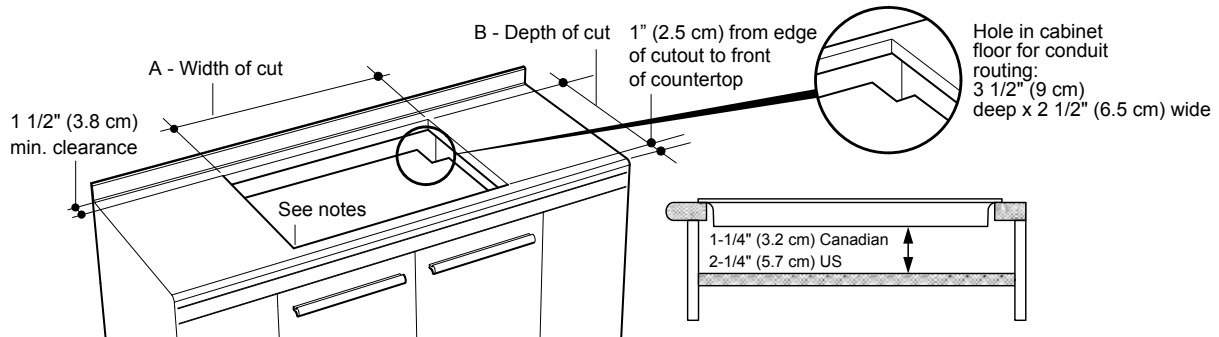
# DECT304, DECT365



## Distinctive 30" and 36" Wide, Electric Cooktops

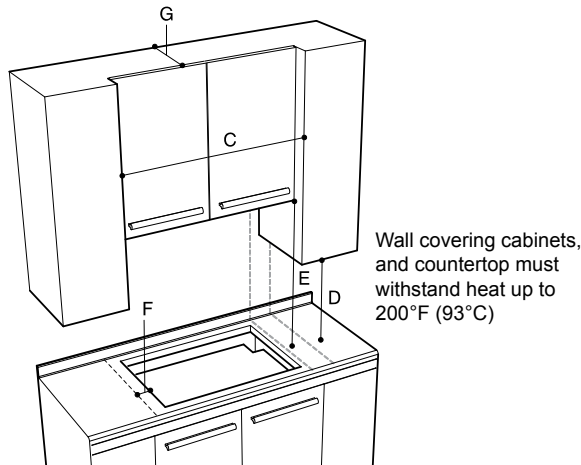
## PLANNING GUIDE

All tolerances: +1/16" (+1.6 mm), -0 unless otherwise stated

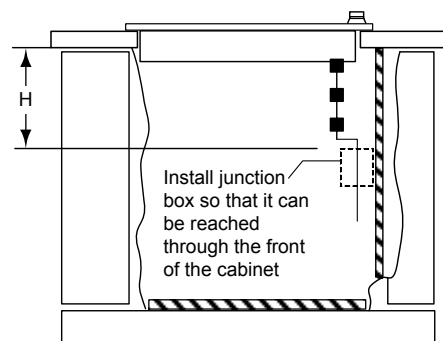


**COUNTERTOP CUTOUT**

**IMPORTANT:** Under the cooktop it is necessary to install a partition, spaced from the bottom of the appliance as shown.



**CABINET DIMENSIONS AND REQUIREMENTS**



**CONDUIT OPENING**

Model	(A)	(B)	(C)	(D)	(E)	(F)	(G)	(H)
DECT304	28-11/16" (72.9 cm) to 28 15/16" (73.5 cm)	19-1/4" (49.0 cm) to 19-9/16" (49.7 cm)	30" (76.2 cm) min.	18" (45.7 cm) min height from countertop to nearest cabinet on either side of unit	30" (76.2 cm) min.* clearance from countertop to unprotected overhead surface	2" (5 cm) min. clearance from cutout to side wall on the left and right of the unit	13" (33 cm) depth of unprotected overhead	12" (31 cm) min. from bottom of countertop and adjacent cabinet (right side)
DECT365	34-1/16" (86.5 cm) to 34-5/16" (87.2 cm)	19-1/4" (49.0 cm) to 19-9/16" (49.7 cm)	36" (91.4 cm) min.					

\* 24" (61 cm) min. clearance if bottom of wood or metal cabinets is protected by not less than 1/4" (0.6 cm) flame retardant millboard covered with no less than No. 28 MSG sheet steel 0.015" (0.04 cm) stainless steel, or 0.024" (0.06 cm) aluminum or 0.020" (0.05cm) copper. 30" (76.2 cm) min. clearance between top of cooking platform and bottom of unprotected wood or metal cabinet.



**NOTES:**

- Chamfer all exposed edges of decorative laminate to prevent damage from chipping.
- Radius corners of cutout and file to insure smooth edges and prevent corner cracking. Recommend 1/4" or 3/8" diameter drill in each corner.
- Rough edges, inside corners which have not been rounded and forced fits can contribute to cracking of the countertop laminate.
- This cooktop has been designed with wide tolerances of cut-out to cover possible replacement with other brands. Dacor recommends that you use the minimum cutout dimensions in the case of new Installation.
- Always consult the countertop manufacturer for specific instructions.
- Ensure the countertop is square and level and ensure no structural members interfere with space requirements.
- The junction box, must be located where it will allow considerable slack in the conduit for serviceability.
- For solid surface material installations such as Sural™ and Corian®, consult with solid surface manufacturer to determine if heat reflective tape is required.