

Smart Choice™

Washer & Electric Dryer Installation Kit

**BEFORE BEGINNING INSTALLATION, READ
ALL MANUFACTURER'S INSTALLATION
INSTRUCTIONS THOROUGHLY**

⚠ DANGER

FIRE AND ELECTROCUTION HAZARD

INSTALLATION AND SERVICE MUST BE PERFORMED BY A QUALIFIED INSTALLER. THESE INSTRUCTIONS ARE INTENDED FOR PROFESSIONAL INSTALLATION ONLY. IF YOU DO NOT POSSESS THE NECESSARY QUALIFICATIONS AND CERTIFICATION DO NOT ATTEMPT THE INSTALLATION YOURSELF!

This Kit Includes:

- One 3 Wire 30 Amp Dryer Electrical Cord
- One 4 Wire 30 Amp Dryer Electrical Cord
- Two 4" Dryer Vent Clamps
- One 8' Semi Rigid Dryer Vent Pipe
- Two 4" Close Elbows with Dryer Vent Clamps
- Two 6' Braided Stainless Steel Fill Hoses

smart
CHOICE®

IMPORTANT SAFETY INSTRUCTIONS-WASHER


WARNING

Please read all instructions before using washer.

Recognize safety symbols, words and labels

Safety items throughout this manual are labeled with a WARNING or CAUTION based on the risk type as described below:

Definitions

 This is the safety alert symbol. It is used to alert you to potential personal injury hazards. Obey all safety messages that follow this symbol to avoid possible injury or death.

DANGER

DANGER indicates an imminently hazardous situation which, if not avoided, will result in death or serious injury.

WARNING

WARNING indicates a potentially hazardous situation which, if not avoided, could result in death or serious injury.

CAUTION

CAUTION indicates a potentially hazardous situation which, if not avoided, may result in minor or moderate injury.

IMPORTANT

IMPORTANT indicates installation, operation or maintenance information which is important but not hazard-related.

Installation Checklist

Shipping Hardware

- Foam shipping support (under wash tub) removed and stored
- Shipping bolts and spacers removed from appliance and stored

Leveling

- Washer is level, side-to-side and front-to-back
- Cabinet is setting solid on all corners

Water Supply

- Use only new hoses and verify rubber sealing washers are installed
- HOT supply is connected to HOT inlet and COLD supply is connected to COLD inlet
- HOT and COLD water supply turned on
- No leaks present at water supply connections or appliance inlet connections - recheck in 24 hours

Drain

- Stand pipe or wall drain height minimum 24"
- Drain hose secured in place with cable tie

Electrical Power

- House power turned on
- Washer plugged in

Final Checks

- Installation Instructions and Use and Care Guide* read thoroughly
- Door locks and water enters drum when cycle starts
- Registration card sent in

IMPORTANT SAFETY INSTRUCTIONS-WASHER

NOTE

The electrical service to the washer must conform with local codes and ordinances and the latest edition of the National Electrical Code, ANSI/NFPA 70, or in Canada, the Canadian Electrical Code C22.1 part 1.

WARNING

SUFFOCATION HAZARD

Destroy the carton and plastic bags after the washer is unpacked. Children might use them for play. Cartons covered with rugs, bedspreads, or plastic sheets can become airtight chambers causing suffocation. Place all materials in a garbage container or make materials inaccessible to children.

CAUTION

EXCESSIVE WEIGHT HAZARD

To avoid back or other injury, have more than one person move or lift the washer.

WARNING

FIRE HAZARD

For your safety the information in this manual must be followed to minimize the risk of fire or explosion or to prevent property damage, personal injury or loss of life. Do not store or use gasoline or other flammable vapors and liquids in the vicinity of this or any other appliance.

IMPORTANT

The instructions in this manual and all other literature included with this washer are not meant to cover every possible condition and situation that may occur. Good safe practice and caution **MUST** be applied when installing, operating and maintaining any appliance. Maximum benefits and enjoyment are achieved when all the Safety and Operating Instructions are understood and practiced as a routine with your laundering tasks.

Save these instructions for future reference.

Pre-Installation Requirements

Tools and materials needed for installation:

- Phillips and straight bit screwdrivers
- Carpenter's level
- Metal foil tape (not duct tape)
- External vent hood
- 4-inch (102 mm), rigid metal or semi-rigid metal exhaust duct work
- 3-wire or 4-wire 240 volt cord kit (electric dryer)
- 4 in. (102 mm) clamp

WASHER INSTALLATION REQUIREMENTS

Electrical system requirements

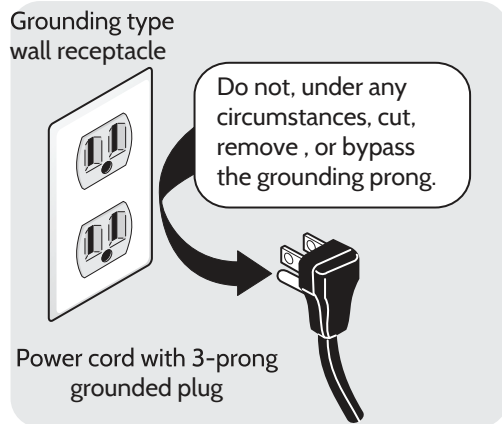
CIRCUIT - Individual, properly polarized and grounded 15 amp. branch circuit fused with 15 amp. time delay fuse or circuit breaker.

POWER SUPPLY - 2 wire, with ground, 120 volt single phase, 60 Hz, Alternating Current.

NOTE

Because of potentially inconsistent voltage capabilities, the use of this washer with power created by gas powered generators, solar powered generators, wind powered generators or any other generator other than the local utility company is not recommended.

OUTLET RECEPTACLE - Properly grounded 3-prong receptacle to be located so the power supply cord is accessible when the washer is in an installed position.



NOTE

GFI (Ground Fault Interrupter) receptacle is not required.

Ground requirements

WARNING

ELECTRICAL SHOCK HAZARD

Improper connection of the equipment grounding conductor can result in a risk of electrical shock. Check with a licensed electrician if you are in doubt as to whether the appliance is properly grounded.

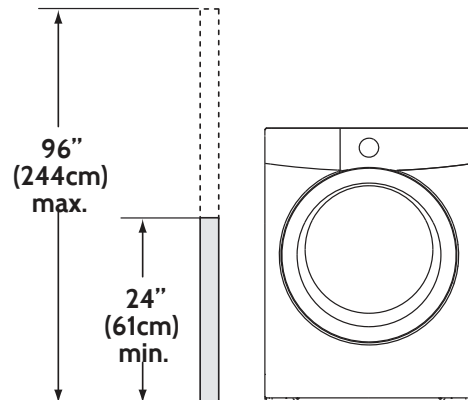
Water supply requirements

Hot and cold water faucets **MUST** be installed within hose length of your washer's water inlet. The faucets **MUST** be 3/4 inch (1.9 cm) with threading for laundry hose connection. Water pressure **MUST** be between 30 and 120 psi. Pressure difference between hot and cold cannot be more than 10 psi. Your water department can advise you of your water pressure.

Drain system requirements

- 1 Drain capable of eliminating 17 gals (64.3 L) per minute.
- 2 A standpipe diameter of 1-1/4 in. (3.18 cm) minimum.
- 3 The standpipe height above the floor should be:

Minimum height: 24 in. (61 cm)
Maximum height: 96 in. (244 cm)



- 1 The washer **MUST** be grounded. In the event of malfunction or breakdown, grounding will reduce the risk of electrical shock by a path of least resistance for electrical current.
- 2 Since your washer is equipped with a power supply cord having an equipment-grounding conductor and a grounding plug, the plug **MUST** be plugged into an appropriate, copper wired receptacle that is properly installed and grounded in accordance with all local codes and ordinances or in the absence of local codes, with the National Electrical Codes, ANSI/NFPA 70 (latest edition). If in doubt, call a licensed electrician. **DO NOT** cut off or alter the grounding prong on the power supply cord. In situations where a two-slot receptacle is present, it is the owner's responsibility to have a licensed electrician replace it with a properly grounded three prong grounding type receptacle.

WASHER INSTALLATION REQUIREMENTS

Clearance requirements

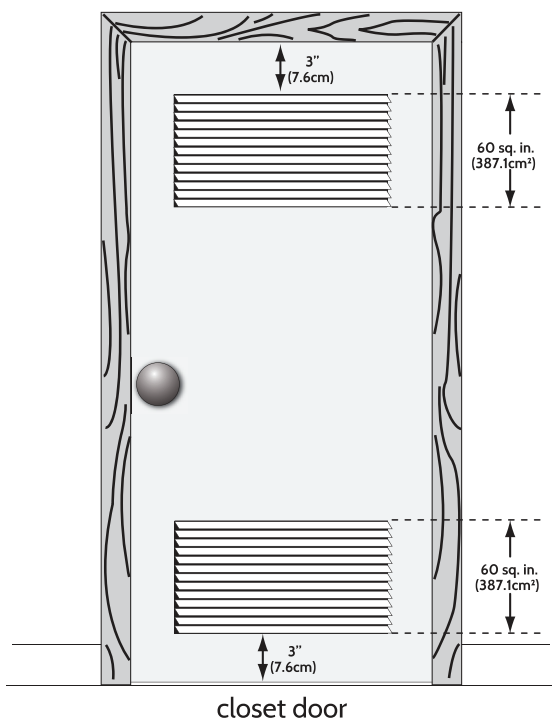
➔ IMPORTANT

DO NOT INSTALL YOUR WASHER:

- 1 In an area exposed to dripping water or outside weather conditions. The ambient temperature should never be below 60° F (15.6° C) to maximize detergent effectiveness.
- 2 In an area (garage or garage-type building) where gasoline or other flammables (including automobiles) are kept or stored.
- 3 On carpet. Floor **MUST** be solid with a maximum slope of 1 inch (2.5 cm). To minimize vibration or movement, reinforcement of the floor may be necessary.

Installation in a Recess or Closet

If washer and dryer are installed in the same closet, door ventilation is required: A minimum of 120 square inches (774.2 cm²) of opening, equally divided at the top and bottom of the door, is required. Louvered openings should be located 3 inches (7.6 cm) from bottom and top of door. Air openings are required to be unobstructed when a door is installed. A louvered door with equivalent air openings for the full length of the door is acceptable.



WASHER INSTALLATION INSTRUCTIONS

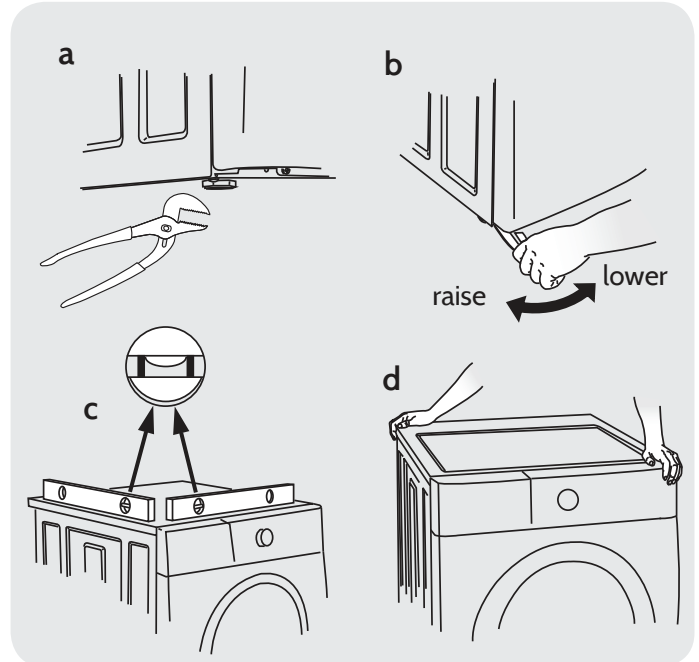
Leveling your washer

Excessive noise and vibration can be prevented by properly leveling the washer.

- 1 For free standing installation and with the washer within 4 feet (1 m) of its final location, place a level on top of the washer.
- 2 Use adjustable pliers to adjust the leveling legs so the washer is level front-to-rear and side-to-side, and stable corner-to-corner.
- 3 Press down on alternate corners and sides and feel for the slightest movement. Adjust the appropriate leg(s) so the washer sits solidly on the floor on ALL four legs. Keep the leveling leg extension at a minimum for best performance of the washer.

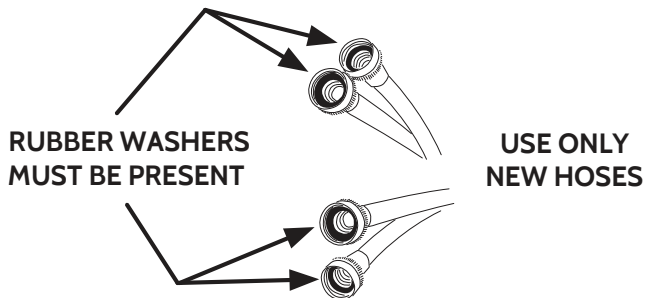
NOTE

For pedestal installations, see additional installation instructions included with the pedestal.

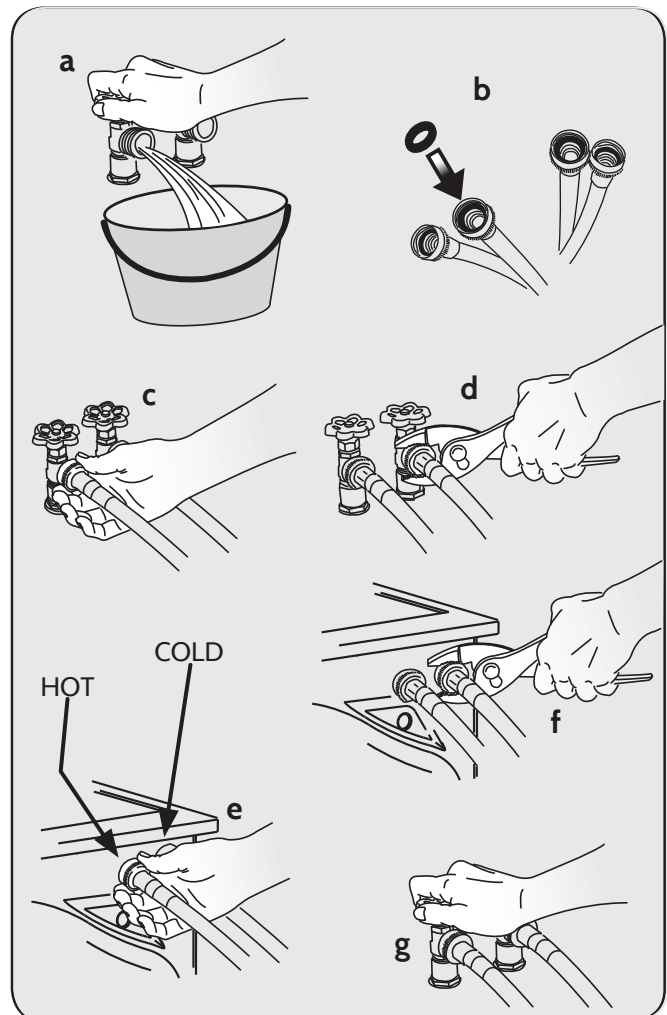


Connecting inlet water

- 1 Run some water from the hot and cold faucets to flush the water lines and remove particles that might clog the water valve screens and to determine which faucet is hot and which is cold supply.



- 2 Connect the HOT inlet hose to the HOT inlet connection on the washer and the COLD inlet hose to the COLD inlet connection on the washer. Tighten by hand until snug. Then tighten each supply connection another 2/3 turn with pliers. **Do not cross thread or over-tighten these connections.**
- 3 Connect the HOT inlet hose to the HOT water supply and the COLD inlet hose to the COLD water supply. Tighten by hand until snug. Then tighten each supply connection another 2/3 turn with pliers. **Do not bend, kink or pinch water inlet hoses.**
- 4 Turn on the water and check for leaks.



WASHER INSTALLATION INSTRUCTIONS (Cont.)

Connecting drain and electrical

- 1 Locate the anti-siphon ring shipped with your washer. Place it over the end of the drain hose and slide it past the first ring of “accordion” ribs.
- 2 Form a “U” shape on the end of the drain hose with the hose pointed toward the drain. Place the formed end in a laundry tub or a standpipe and secure the drain hose with the cable tie (provided in the enclosure package) to the standpipe, inlet hose, laundry tub, etc. so the hose does not pull out from the force of the water.

NOTE

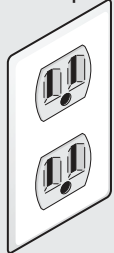
The standpipe inside diameter must be 1-1/4” (3.2 cm) minimum. There must be an air gap around the drain hose in the standpipe. A snug hose fit can cause a siphoning action.

IMPORTANT

Check to ensure the power is off at a circuit breaker/fuse box before plugging the power cord into an outlet.

- 3 Plug the power cord into a grounded outlet.

Grounding type
wall receptacle

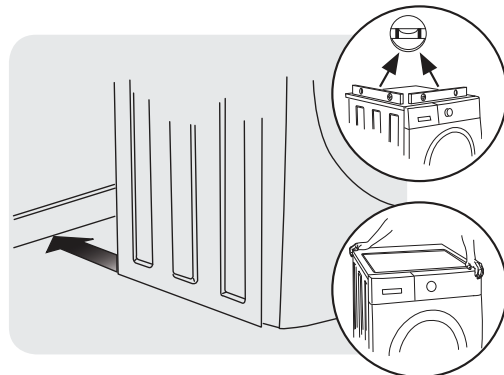
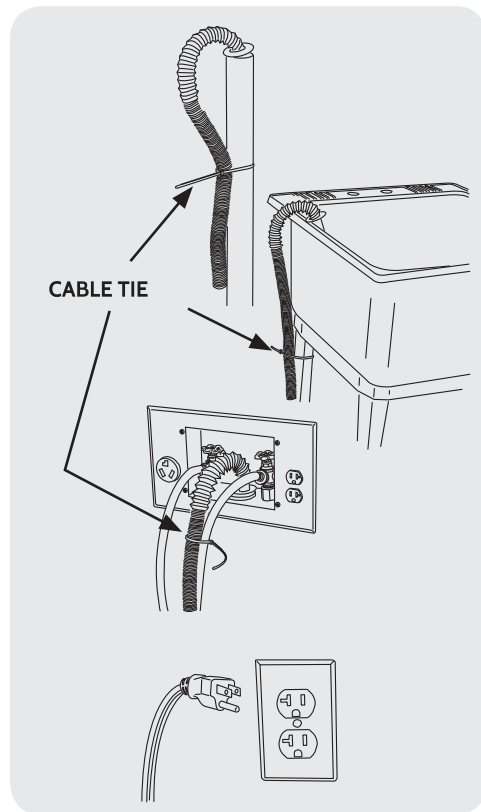
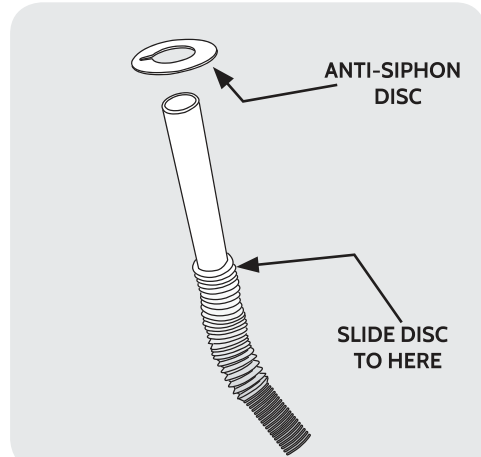


Do not, under any circumstances, cut, remove, or bypass the grounding prong.

Power cord with 3-prong
grounded plug



- 4 Turn on the power at a circuit breaker/fuse box.
- 5 Carefully slide the washer to its final position. Recheck for level and rock corners for stability. Remove and discard door tape.
- 6 Read the Use & Care Guide provided with the washer. It contains valuable and helpful information that will save you time and money.
- 7 Run the washer through a complete cycle, checking for water leaks and proper operation.
- 8 If you have any questions during initial operation, please review the “Service Prevention Checklist” in your Use & Care Guide before calling for service.
- 9 Place these instructions in a location near the washer for future reference.



IMPORTANT SAFETY INSTRUCTIONS - DRYER

WARNING

For your safety the information in this manual must be followed to minimize the risk of fire or explosion or to prevent property damage, personal injury or loss of life. Do not store or use gasoline or other flammable vapors and liquids in the vicinity of this or any other appliance.

WARNING - RISK OF FIRE

Read all of the following instructions before installing and using this appliance:

- Destroy the carton and plastic bags after the dryer is unpacked. Children might use them for play. Cartons covered with rugs, bedspreads, or plastic sheets can become airtight chambers causing suffocation. Place all materials in a garbage container or make materials inaccessible to children.
- Clothes dryer installation and service must be performed by a qualified installer, service agency or the gas supplier.
- Install the clothes dryer according to the manufacturer's instructions and local codes.
- The electrical service to the dryer must conform with local codes and ordinances and the latest edition of the National Electrical Code, ANSI/NFPA 70, or in Canada, the Canadian electrical code C22.1 part 1.
- The dryer is designed under ANSI Z 21.5.1 or ANSI/UL 2158 - CAN/CSA C22.2 No. 112 (latest editions) for HOME USE only. This dryer is not recommended for commercial applications such as restaurants, beauty salons, etc.
- Do not install a clothes dryer with flexible plastic or flexible foil venting material. Flexible venting materials are known to collapse, be easily crushed and trap lint. These conditions will obstruct clothes dryer air flow and increase the risk of fire.
- Do not stack a dryer on top of washer already installed on pedestal. Do not stack dryer on top of another dryer. Do not stack washer on top of dryer. Do not stack washer on top of another washer. Do not stack dryer on top of washer without use of manufacturer approved and correctly installed stacking kit appropriate for your model.
- The instructions in this manual and all other literature included with this dryer are not meant to cover every possible condition and situation that may occur. Good safe practice and caution **MUST** be applied when installing, operating and maintaining any appliance.

CAUTION

EXCESSIVE WEIGHT HAZARD

To avoid back or other injury, have more than one person move or lift the appliance.

Save these instructions for future reference.

Pre-Installation Requirements

Tools and materials needed for installation:

- Adjustable pliers
- Phillips, straight, & square bit screwdrivers
- Adjustable wrench
- Pipe wrench for gas supply (gas dryer)
- Carpenter's level
- External vent hood
- 4-inch (102 mm), rigid metal or semi-rigid metal exhaust duct work
- 4 in. (102 mm) clamp
- Metal foil tape (not duct tape)
- 3-wire or 4-wire 240 volt cord kit (electric dryer)

IMPORTANT SAFETY INSTRUCTIONS-DRYER (Cont.)


WARNING

Please read all instructions before using this dryer.

Recognize safety symbols, words and labels

Safety items throughout this manual are labeled with a WARNING or CAUTION based on the risk type as described below:

Definitions

 This is the safety alert symbol. It is used to alert you to potential personal injury hazards. Obey all safety messages that follow this symbol to avoid possible injury or death.

DANGER

DANGER indicates an imminently hazardous situation which, if not avoided, will result in death or serious injury.

WARNING

WARNING indicates a potentially hazardous situation which, if not avoided, could result in death or serious injury.

CAUTION

CAUTION indicates a potentially hazardous situation which, if not avoided, may result in minor or moderate injury.

IMPORTANT

IMPORTANT indicates installation, operation or maintenance information which is important but not hazard-related.

Installation Checklist

Exhaust Venting

- Free-flowing, clear of lint buildup
- 4 inch (102 mm) rigid or semi-rigid ducting of minimal length and turns
- NO foil or plastic venting material
- Approved vent hood exhausted to outdoors

Leveling

- Dryer is level, side-to-side and front-to-back
- Cabinet is setting solid on all corners

240v Electric Supply (Electric Dryer)

- Approved NEMA 10-30R or 14-30R service cord with all screws tight on terminal block
- Approved strain relief installed
- Terminal access cover installed before initial operation

Electrical Power

- House power turned on
- Dryer plugged in

Final Checks

- Installation Instructions* and *Use and Care Guide* read thoroughly
- Door latches and drum tumbles when cycle starts
- Registration card sent in

INSTALLATION REQUIREMENTS

NOTE

Because of potentially inconsistent voltage capabilities, the use of this dryer with power created by gas powered generators, solar powered generators, wind powered generators or any other generator other than the local utility company is not recommended.

Electrical requirements for electric dryer

CIRCUIT - Individual 30 amp. branch circuit fused with 30 amp. time delay fuses or circuit breakers. Use separately fused circuits for washer and dryer. **DO NOT** operate a washer and a dryer on the same circuit.

POWER SUPPLY - 3-wire or 4-wire, 240 volt, single phase, 60 Hz, Alternating Current.

IMPORTANT

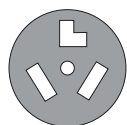
This dryer is internally grounded to neutral unless it was manufactured for sale in Canada.

Only a 4-conductor cord shall be used when the appliance is installed in a location where grounding through the neutral conductor is prohibited. Grounding through the neutral link is prohibited for: (1) new branch circuit installations, (2) mobile homes, (3) recreational vehicles, and (4) areas where local codes do not permit grounding through the neutral.

OUTLET RECEPTACLE - NEMA 10-30R or NEMA 14-30R receptacle to be located so the power supply cord is accessible when the dryer is in the installed position.

GROUNDING CONNECTION - See "Grounding requirements" in Electrical Installation section.

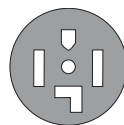
3-WIRE POWER SUPPLY CORD KIT



3-wire receptacle
(NEMA type 10-30R)

The dryer **MUST** employ a 3-conductor power supply cord NEMA 10-30 type SRDT rated at 240 volt AC minimum, 30 amp, with 3 open end spade lug connectors with upturned ends or closed loop connectors and marked for use with clothes dryers. For 3-wire cord connection instructions see **ELECTRICAL CONNECTIONS FOR A 3-WIRE SYSTEM**.

4-WIRE POWER SUPPLY CORD KIT



4-wire receptacle
(NEMA type 14-30R)

The dryer **MUST** employ a 4-conductor power supply cord NEMA 14-30 type SRDT or ST (as required) rated at 240 volt AC minimum, 30 amp, with 4 open end spade lug connectors with upturned ends or closed loop connectors and marked for use with clothes dryers. For 4-wire cord connection instructions see **ELECTRICAL CONNECTIONS FOR A 4-WIRE SYSTEM**.

NOTE

Dryers manufactured for sale in Canada have factory-installed, 4-wire power supply cord (NEMA 14-30R).

INSTALLATION REQUIREMENTS (Cont.)

Exhaust System Requirements

Use only 4 inch (102 mm) diameter (minimum) rigid or flexible metal duct and approved vent hood which has a swing-out damper(s) that open when the dryer is in operation. When the dryer stops, the dampers automatically close to prevent drafts and the entrance of insects and rodents. To avoid restricting the outlet, maintain a minimum of 12 inches (30.5 cm) clearance between the vent hood and the ground or any other obstruction.

⚠ WARNING

FIRE HAZARD

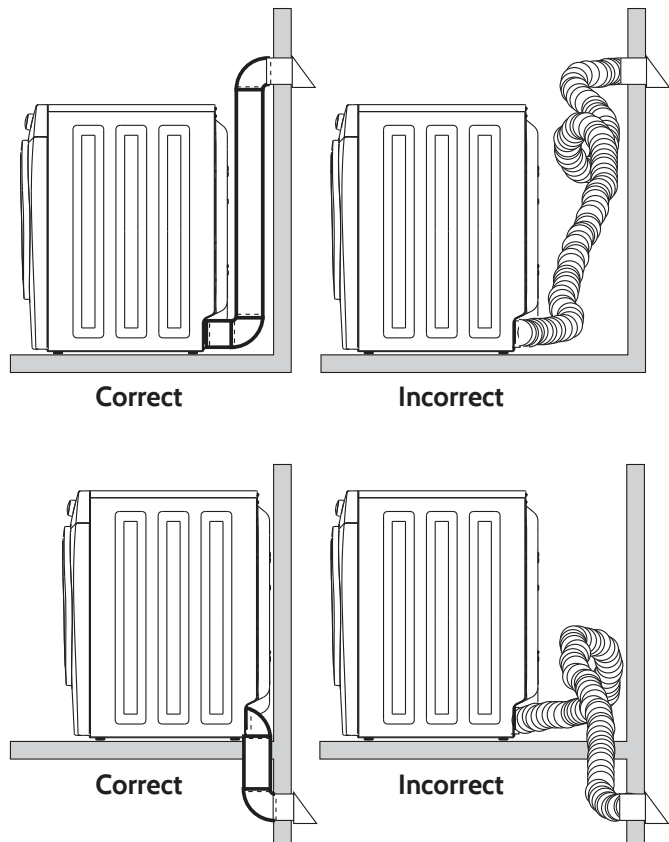
Failure to follow these instructions can create excessive drying times and fire hazards.

The following are specific requirements for proper and safe operation of your dryer.

⚠ WARNING

FIRE HAZARD

Do not install a clothes dryer with flexible plastic or metal foil venting materials. Flexible venting materials are known to collapse, be easily crushed and trap lint. These conditions will obstruct clothes dryer airflow and increase the risk of fire.



If your present system is made up of plastic duct or metal foil duct, replace it with a rigid or semi-rigid metal duct. Also, ensure the present duct is free of any lint prior to installing dryer duct.

INSTALLATION REQUIREMENTS (Cont.)

Exhaust System Requirements, continued

⚠ WARNING

FIRE HAZARD

A clothes dryer must be exhausted outdoors. Do not exhaust dryer into a chimney, a wall, a ceiling, an attic, a crawl space or any concealed space of a building. A clothes dryer produces combustible lint. If the dryer is not exhausted outdoors, some fine lint will be expelled into the laundry area. An accumulation of lint in any area of the home can create a health and fire hazard.

The dryer must be connected to an exhaust outdoors. Regularly inspect the outdoor exhaust opening and remove any accumulation of lint around the outdoor exhaust opening and in the surrounding area.

⚠ WARNING

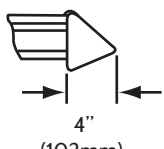

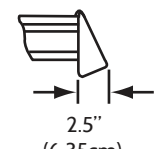
FIRE HAZARD

- Do not allow combustible materials (for example: clothing, draperies/curtains, paper) to come in contact with exhaust system. The dryer **MUST NOT** be exhausted into a chimney, a wall, a ceiling, or any concealed space of a building which can accumulate lint, resulting in a fire hazard.
- Do not screen the exhaust ends of the vent system, or use any screws, rivets or other fasteners that extend into the duct to assemble the exhaust system. Lint can become caught in the screen, on the screws or rivets, clogging the duct work and creating a fire hazard as well as increasing drying times. Use an approved vent hood to terminate the duct outdoors, and seal all joints with metal foil duct tape. All male duct pipe fittings **MUST** be installed downstream with the flow of air.

⚠ WARNING

FIRE HAZARD

Exceeding the length of duct pipe or number of elbows allowed in the "MAXIMUM LENGTH" charts can cause an accumulation of lint in the exhaust system. Plugging the system could create a fire hazard, as well as increase drying times.

Number of 90° turns	MAXIMUM LENGTH of 4" (102mm) Rigid Metal Duct	
	VENT HOOD TYPE	
	(Preferred)	
	 4" (102mm)	 louvered
	 2.5" (6.35cm)	
0	64 ft. (19.5 m)	48 ft. (14.6 m)
1	52 ft. (15.9 m)	40 ft. (12.2 m)
2	44 ft. (13.5 m)	32 ft. (9.8 m)
3	36 ft. (11 m)	24 ft. (7.3 m)
4	28 ft. (9.5 m)	16 ft. (4.9 m)

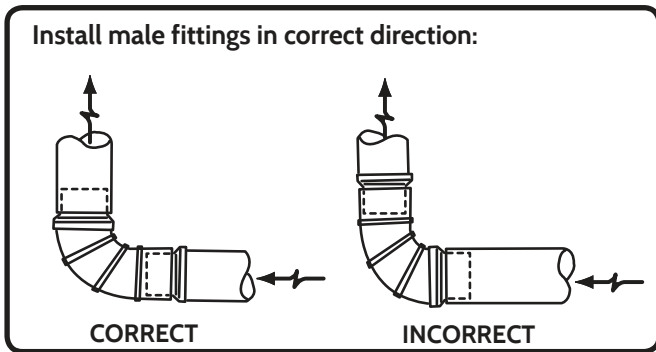
⚠ WARNING

FIRE HAZARD

- Do not install flexible plastic or flexible foil venting material.
- If installing semi-rigid venting, do not exceed 8 ft. (2.4 m) duct length.

INSTALLATION REQUIREMENTS (Cont.)

Exhaust system requirements, continued



In installations where the exhaust system is not described in the charts, the following method must be used to determine if the exhaust system is acceptable:

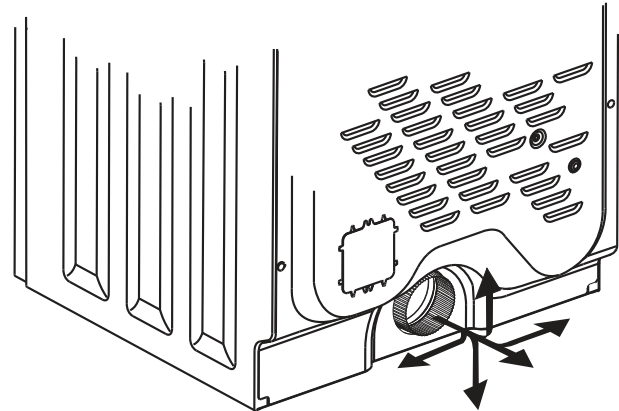
- 1 Connect an inclined or digital manometer between the dryer and the point the exhaust connects to the dryer.
- 2 Set the dryer timer and temperature to air fluff (cool down) and start the dryer.
- 3 Read the measurement on the manometer.
- 4 The system back pressure **MUST NOT** be higher than 0.75 inches of water column. If the system back pressure is less than 0.75 inches of water column, the system is acceptable. If the manometer reading is higher than 0.75 inches of water column, the system is too restrictive and the installation is unacceptable.

Although vertical orientation of the exhaust system is acceptable, certain extenuating circumstances could affect the performance of the dryer:

- Only rigid metal duct work should be used.
- Venting vertically through a roof may expose the exhaust system to down drafts causing an increase in vent restriction.
- Running the exhaust system through an uninsulated area may cause condensation and faster accumulation of lint.
- Compression or crimping of the exhaust system will cause an increase in vent restriction.
- The exhaust system should be inspected and cleaned a minimum of every 18 months with normal usage. The more the dryer is used, the more often you should check the exhaust system and vent hood for proper operation.

Exhaust direction

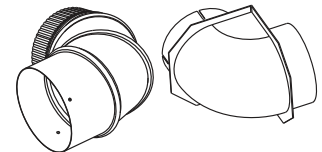
Directional exhausting can be accomplished by installing a quick-turn 90° dryer vent elbow directly to exhaust outlet of dryer. Dryer vent elbows are available through your local parts distributor or hardware store.



See also *Clearance Requirements* on the next page.

NOTE

Use of 90° quick-turn elbow is required to meet minimum installation depth of free-standing dryer.



INSTALLATION REQUIREMENTS (Cont.)

Manufactured or Mobile Home Installation

- 1 Installation **MUST** conform to current Manufactured Home Construction & Safety Standard, Title 24 CFR, Part 32-80 (formerly the Federal Standard for Mobile Home Construction and Safety, Title 24, HUD Part 280) or Standard CAN/CSAZ240 MH.
- 2 Dryer **MUST** be exhausted outside (outdoors, not beneath the mobile home) using metal ducting that will not support combustion. Metal ducting must be 4 inches (10.16 cm) in diameter with no obstructions. Rigid metal duct is preferred.
- 3 If dryer is exhausted through the floor and area beneath the mobile home is enclosed, the exhaust

system **MUST** terminate outside the enclosure with the termination securely fastened to the mobile home structure.

- 4 Refer to previous sections in this guide for other important exhaust venting system requirements.
- 5 When installing a gas dryer into a mobile home, a provision must be made for outside make up air. This provision is to be not less than twice the area of the dryer exhaust outlet.
- 6 Installer **MUST** anchor this (1) dryer or (2) dryer mounted on pedestal to the floor with approved Mobile Home Installation Kit.

Clearance requirements

⚠ WARNING

EXPLOSION HAZARD

Do not install the dryer where gasoline or other flammables are kept or stored. If the dryer is installed in a garage, it must be a minimum of 18 inches (45.7 cm) above the floor. Failure to do so can result in death, explosion, fire or burns.

Installation in a Recess or Closet

- 1 A dryer installed in a bedroom, bathroom, recess or closet, **MUST** be exhausted outdoors.
- 2 No other fuel burning appliance shall be installed in the same closet as the gas dryer.
- 3 Your dryer needs the space around it for proper ventilation.

DO NOT install your dryer in a closet with a solid door.

- 4 Closet door ventilation required: A minimum of 120 square inches (774.2 cm²) of opening, equally divided at the top and bottom of the door, is required. Openings should be located 3 inches (7.6 cm) from bottom and top of door. Openings are required to be unobstructed when a door is installed. A louvered door with equivalent air openings for the full length of the door is acceptable.

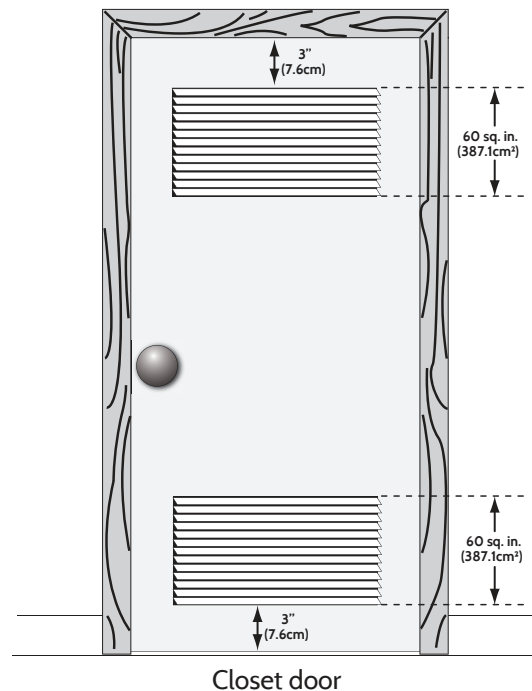
📌 NOTE

To achieve an installation with 0" (0 cm) clearance for the back of the dryer (for other than straight back venting), a quick-turn 90° dryer vent elbow must be installed as described previously in this manual.

➡ IMPORTANT

DO NOT INSTALL YOUR DRYER:

- 1 In an area exposed to dripping water or outside weather conditions.
- 2 In an area where it will come in contact with *curtains, drapes, or anything that will obstruct the flow of combustion and ventilation air.*
- 3 On carpet. Floor **MUST** be solid with a maximum slope of 1 inch (2.5 cm).



INSTALLATION INSTRUCTIONS - ELECTRIC DRYER

Electrical Installation

The following are specific requirements for proper and safe electrical installation of your dryer. Failure to follow these instructions can create electrical shock and/or a fire hazard.

WARNING

ELECTRICAL SHOCK HAZARD

- This appliance **MUST** be properly grounded. Electrical shock can result if the dryer is not properly grounded. Follow the instructions in this manual for proper grounding.
- Do not use an extension cord with this dryer. Some extension cords are not designed to withstand the amounts of electrical current this dryer utilizes and can melt, creating electrical shock and/or fire hazard. Locate the dryer within reach of the receptacle for the length power cord to be purchased, allowing some slack in the cord. Refer to the pre-installation requirements in this manual for the proper power cord to be purchased.

WARNING

ELECTRICAL SHOCK HAZARD

Improper connection of the equipment grounding conductor can result in a risk of electrical shock. Check with a licensed electrician if you are in doubt as to whether the appliance is properly grounded.

WARNING

ELECTRICAL SHOCK HAZARD

- A U.L.-approved strain relief must be installed onto power cord. If the strain relief is not attached, the cord can be pulled out of the dryer and can be cut by any movement of the cord, resulting in electrical shock.
- Do not use an aluminum wired receptacle with a copper wired power cord and plug (or vice versa). A chemical reaction occurs between copper and aluminum and can cause electrical shorts. The proper wiring and receptacle is a copper wired power cord with a copper wired receptacle.

Grounding requirements - Electric dryer (USA)

For a grounded, cord-connected dryer:

- 1 The dryer **MUST** be grounded. In the event of a malfunction or breakdown, grounding will reduce the risk of electrical shock by a path of least resistance for electrical current.
- 2 After you purchase and install a 3 wire or 4 wire power supply cord having an equipment-grounding conductor and a grounding plug that matches your wiring system, the plug **MUST** be plugged into an appropriate, copper wired receptacle that is properly installed and grounded in accordance with all local codes and ordinances. If in doubt, call a licensed electrician.

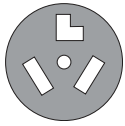
- 3 **DO NOT** modify the plug you've installed on this appliance. If it will not fit the outlet, have a proper outlet installed by a qualified electrician.

For a permanently connected dryer:

The dryer **MUST** be connected to a grounded metal, permanent wiring system; or an equipment grounding conductor must be run with the circuit conductors and connected to the equipment-grounding terminal or lead on the appliance.

INSTALLATION INSTRUCTIONS - DRYER

Electrical connection (non-Canada) - 3 wire cord



3-wire receptacle
(NEMA type 10-30R)

WARNING

ELECTRICAL SHOCK HAZARD Failure to disconnect power source before servicing could result in personal injury or even death.

- 1 Turn off power supply to outlet.
- 2 Remove the screw securing the terminal block access cover in the lower corner on the back of the dryer.
- 3 Install a UL-approved strain relief according to the power cord/strain relief manufacturer's instructions in the power cord entry hole below the access panel. At this time, the strain relief should be loosely in place.
- 4 Thread an UNPLUGGED, UL-approved, 30 amp. power cord, NEMA 10-30 type SRDT, through the strain relief.
- 5 Attach the power cord neutral (center wire) conductor to the SILVER colored center terminal on the terminal block. Tighten the screw securely.
- 6 Attach the remaining two power cord outer conductors to the outer, BRASS colored terminals on the terminal block. Tighten both screws securely.

WARNING

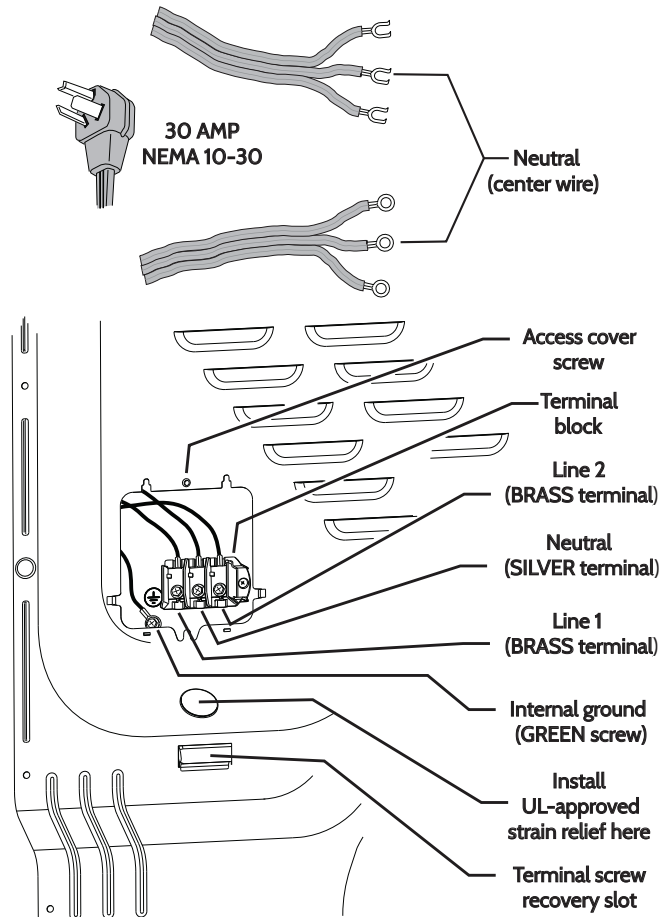
ELECTRICAL SHOCK HAZARD

Do not make a sharp bend or crimp wiring/conductor at connections.

- 7 Follow manufacturer's guidelines for firmly securing the strain relief and power cord.
- 8 Reinstall the terminal block cover.

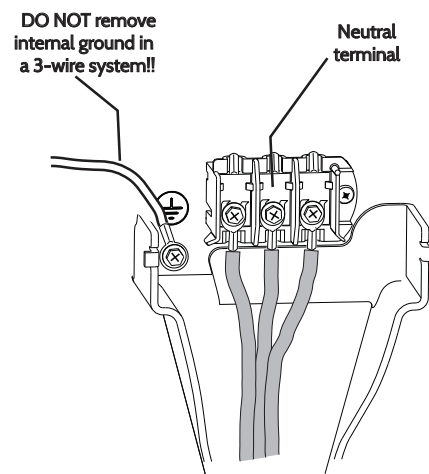
IMPORTANT

If moving dryer from a 4-wire system and installing it in a 3-wire system, move the internal ground from the center terminal back to the GREEN screw next to the terminal block.



NOTE

If a terminal screw falls during cord installation, it can be retrieved in the terminal screw recovery slot below the access panel.



INSTALLATION INSTRUCTIONS - DRYER

Electrical connection (non-Canada) - 4 wire cord



4-wire receptacle
(NEMA type 14-30R)

WARNING

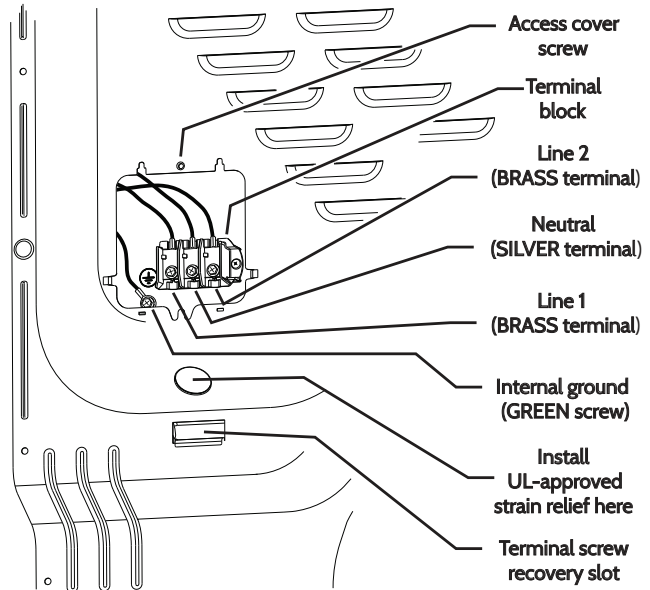
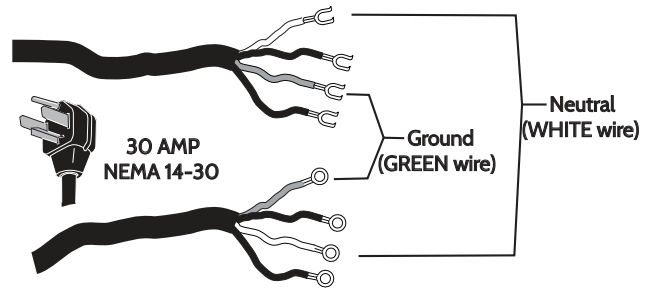
ELECTRICAL SHOCK HAZARD Failure to disconnect power source before servicing could result in personal injury or even death.

- 1 Turn off power supply to outlet.
- 2 Remove the screw securing the terminal block access cover in the lower corner on the back of the dryer.
- 3 Install a UL-approved strain relief according to the power cord/strain relief manufacturer's instructions in the power cord entry hole below the access panel. At this time, the strain relief should be loosely in place.
- 4 Thread an UNPLUGGED, UL-approved, 30 amp. power cord, NEMA 14-30 type ST or SRDT, through the strain relief.
- 5 Disconnect the internal (WHITE) dryer harness ground wire from the (GREEN) ground screw next to the terminal block.
- 6 Attach the ground (GREEN) power cord wire to the cabinet with the ground (GREEN) screw. Tighten the screw securely.
- 7 Move the internal dryer harness ground (WHITE) wire to the terminal block and attach it along with the neutral (WHITE) power cord wire conductor to the center, SILVER colored terminal on the terminal block. Tighten the screw securely.
- 8 Attach the RED and BLACK power cord conductors to the outer, BRASS colored terminals on the terminal block. Tighten both screws securely.

WARNING

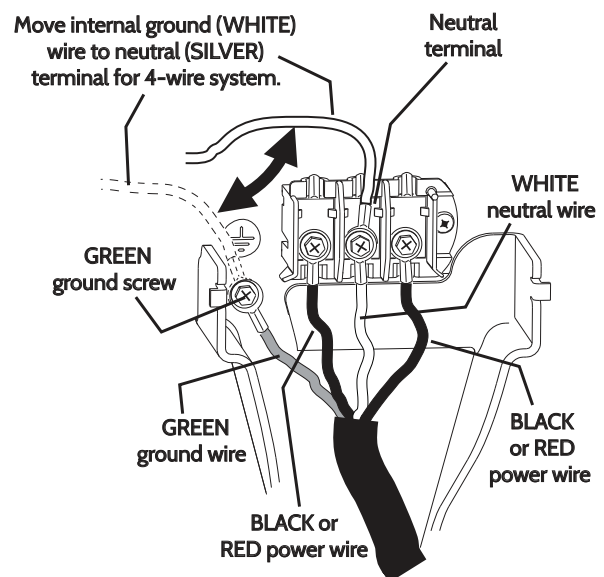
ELECTRICAL SHOCK HAZARD
Do not make a sharp bend or crimp wiring/conductor at connections.

- 9 Follow manufacturer's guidelines for firmly securing the strain relief and power cord.
- 10 Reinstall the terminal block cover.



NOTE

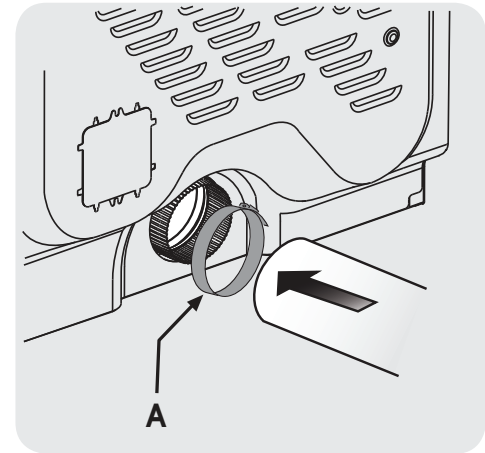
If a terminal screw falls during cord installation, it can be retrieved in the terminal screw recovery slot below the access panel.



INSTALLATION INSTRUCTIONS - DRYER

General installation

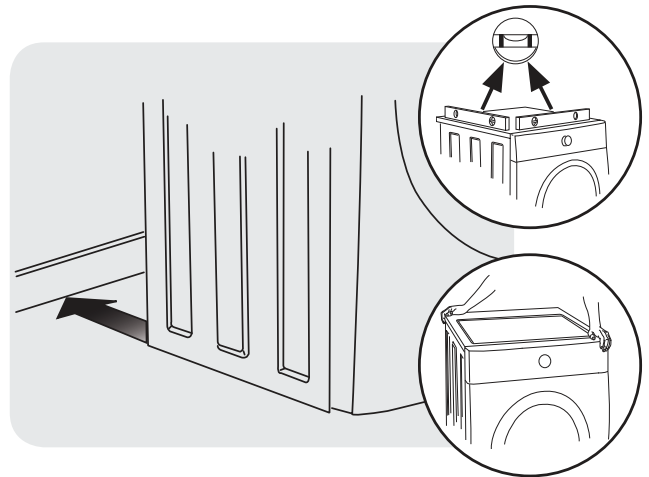
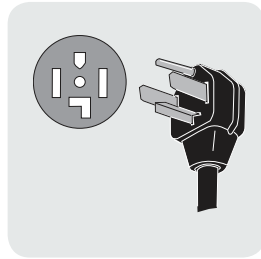
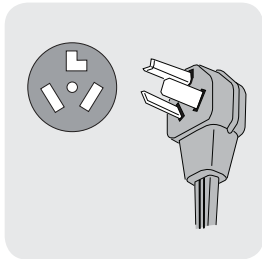
- 1 Connect the exhaust duct to the outside exhaust system. Use of a 4" (102 mm) clamp (item A) is recommended to connect the dryer to the exhaust vent system. Use metal foil tape to seal all other joints.
- 2 Use a carpenter's level to level your dryer front-to-back and side-to-side.
- 3 Use adjustable pliers to adjust the leveling legs so the dryer is level front-to-rear and side-to-side, and stable corner-to-corner.
- 4 Press down on alternate corners and sides and feel for the slightest movement. Adjust the appropriate leg(s) so the dryer sits solidly on the floor on ALL four legs. Keep the leveling leg extension at a minimum for best performance of the dryer.



▶ IMPORTANT

Be sure the power is off at a circuit breaker/fuse box before plugging the power cord into an outlet.

- 5 Plug the power cord into a grounded outlet.



- 6 Turn on the power at the circuit breaker/fuse box.
- 7 Read the Use & Care Guide provided with the dryer. It contains valuable and helpful information that will save you time and money.
- 8 If you have any questions during initial operation, please review the "Avoid Service Checklist" in your Use & Care Guide before calling for service.
- 9 Place these instructions in a location near the dryer for future reference.

Limited Warranty

Smart Choice® Parts and Accessories are warranted to be free from defects in material and workmanship for a period of 90 days from date of purchase. If this product is found to be defective, return to place of purchase for replacement. Smart Choice® Parts & Accessories shall not be liable for damages or delays caused by defects in material or workmanship, improper installation, consequential loss, service call costs, installation or reinstallation costs, or by failure due to normal wear.

Made In The USA With Globally Sourced Components