

**FEATURED MODEL**

518168 8" bowl depth

**FEATURES**

- Series 304, 18/10 Chrome Nickel Content Stainless Steel
- 18 Gauge Stainless Steel
- Sound deadening pads
- Satin Finish
- Stylish drain grooves for improved functionality
- Limited lifetime warranty

**CODE/STANDARDS COMPLIANCE**

ASME 112.19.3-00

**OPTIONAL ACCESSORY**

Sink Grid: 223200

**WARRANTY**

Blanco America's BLANCOQUATRUS Series sinks feature a LIMITED LIFETIME WARRANTY to be free of all manufacturing defects under normal use. See our complete warranty for details.

While BLANCO endeavors to provide accurate information, all dimensions are nominal, cannot be guaranteed, and are subject to change or cancellation. BLANCO assumes no responsibility for use of superseded or voided specifications.

**PRODUCT SPECIFICATION**

Undermount sink to be 17" in length and 17" in front-to-back depth. Sink to be handcrafted from a single panel of 18 gauge, 304 series stainless steel, with 18/10 chrome/nickel content and refined brushed finish. Sink to feature zero radius corners and rear drain placement. Sink to be Blanco Model 518168, with bowl depths of 8".

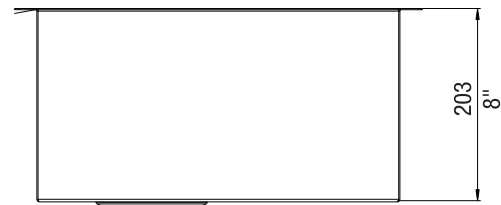
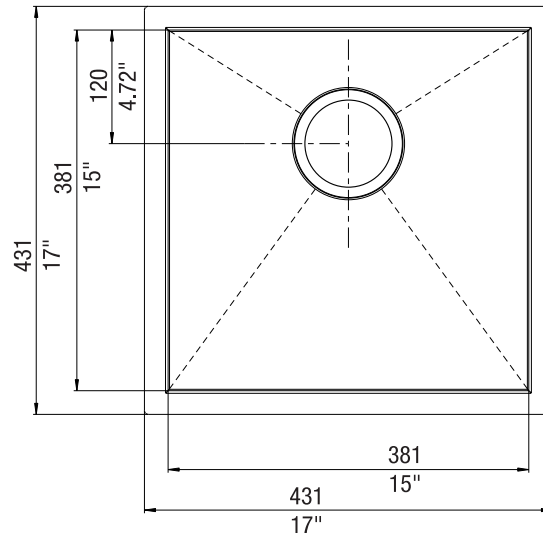


MODEL 518168

**NOMINAL DIMENSIONS**

MODEL	OVERALL	BOWL DEPTH	DRAIN DIAMETER
518168	17 x 17	8	3-1/2

DXF cutout templates available on request



**JOB INFORMATION**

Job Name: \_\_\_\_\_

Contact: \_\_\_\_\_

Date Specified: \_\_\_\_\_

Specifier: \_\_\_\_\_

Contractor: \_\_\_\_\_

**BLANCO AMERICA**  
**800.451.5782**  
**www.blancoamerica.com**