

#### FEATURED MODELS

516348 1-HOLE with 10" bowl depth

516349 3-HOLE with 10" bowl depth

#### FEATURES

- Winner of the 2008 IF Gold Award for design.
- Crafted by hand in Germany.
- Elegant and functional sloping side drainerboards deliver the ultimate look of a virtual flushmount installation.
- MicroEdge™ technology provides a perfect flush fit to ANY countertop surface using our Sure-Fit™ clip system.
- BLANCO R10 inside bowl corners offer the optimal mix of beauty and easy-to-clean function.
- Invisible drain grooves ensures that water always drains out after every use.
- Sound-deadening pads inspired by luxury automotive technology
- Beautiful, easy-to-clean satin polished finish.
- 18 gauge, 304 surgical grade stainless steel
- 18/10 chrome/nickel content
- Rail clip system provides easy install with maximum countertop secure fit.
- Coordinates with STEELART QUADRIS™ faucets.

#### OPTIONAL ACCESSORIES

Glass Cutting Board 224390

#### CODE/STANDARDS COMPLIANCE

ASME 112.19.3-00

IAPMO/UPC listed

#### WARRANTY

BLANCO's BLANCO FLOW™ sink features a LIMITED LIFETIME WARRANTY to be free of all manufacturing defects under normal use. See our complete warranty for details.

While BLANCO endeavors to provide accurate information, all dimensions are nominal, cannot be guaranteed, and are subject to change or cancellation. BLANCO assumes no responsibility for use of superseded or voided specifications.

#### JOB INFORMATION

Job Name: \_\_\_\_\_

Contact: \_\_\_\_\_

Date Specified: \_\_\_\_\_

Specifier: \_\_\_\_\_

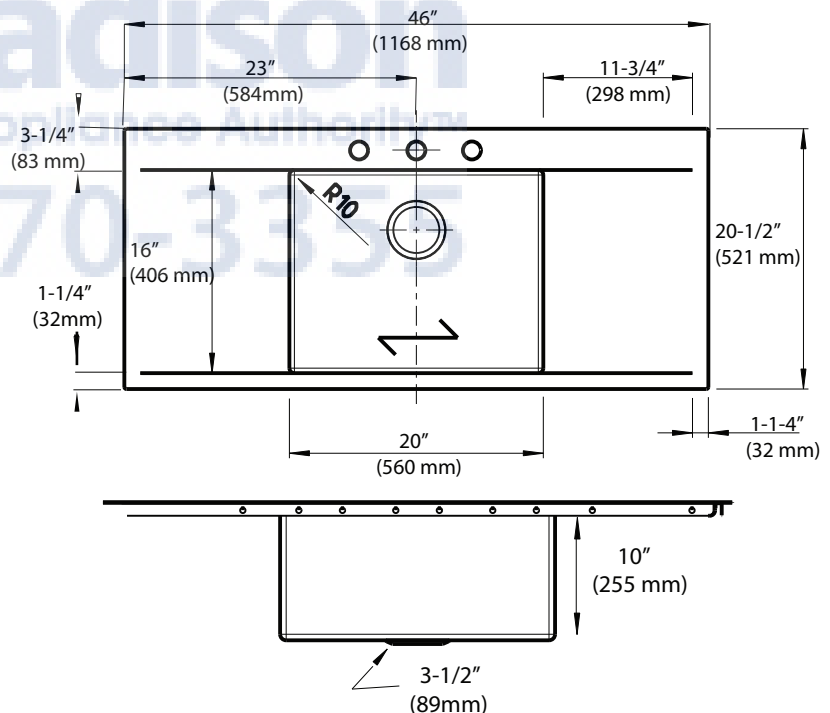
Contractor: \_\_\_\_\_



#### NOMINAL DIMENSIONS

MODEL	OVERALL DIMENSIONS	BOWL DEPTH	DRAIN SIZE
516348	46" X 20-1/2"	10"	3-1/2"
516349	1168mm X 521mm	255mm	89mm

DXF cutout templates available on our web site.



#### INSTALLATION AND CUT OUT NOTE:

FLOW features a unique underside rail system with integrated clips which requires a cut out size of approximately 3/8" less than the outside dimensions. USE OF DXF FILES OR TEMPLATES IS STRONGLY SUGGESTED.